



US00D581854S

(12) **United States Design Patent**
Zsido

(10) **Patent No.:** **US D581,854 S**
(45) **Date of Patent:** **** Dec. 2, 2008**

(54) **BOAT SPORTS TOWER**

(75) Inventor: **Joseph Zsido**, Benton, IL (US)

(73) Assignee: **Custom Stainless Steel, Inc.**, Benton, IL (US)

(**) Term: **14 Years**

(21) Appl. No.: **29/294,847**

(22) Filed: **Jan. 30, 2008**

(51) **LOC (8) Cl.** **12-06**

(52) **U.S. Cl.** **D12/317**

(58) **Field of Classification Search** D12/300-318;
D21/837; D25/56; D3/5; 114/343, 354,
114/361; 135/88.1, 90, 143; 296/76
See application file for complete search history.

(56) **References Cited**

U.S. PATENT DOCUMENTS

5,918,613	A *	7/1999	Larson	114/361
6,042,170	A *	3/2000	Yamaoka et al.	296/76
6,349,666	B1 *	2/2002	Hastings	114/361
6,584,926	B1 *	7/2003	Schmitt et al.	114/361
6,691,637	B1 *	2/2004	Smith et al.	114/361
6,725,799	B2 *	4/2004	Tull	114/361
D524,714	S *	7/2006	Barbeito	D12/300
2008/0011217	A1 *	1/2008	Russikoff	114/361

* cited by examiner

Primary Examiner—Holly H. Baynham

Assistant Examiner—Cynthia M Chin

(74) *Attorney, Agent, or Firm*—Wood, Phillips, Katz, Clark & Mortimer

(57) **CLAIM**

The ornamental design for a boat sports tower, as shown and described.

DESCRIPTION

FIG. 1 is a perspective view of a boat sports tower for mounting on top of a boat, wherein control panels are deployed from the sides of the seat;

FIG. 2 is a front view of the boat sports tower of FIG. 1;

FIG. 3 is a rear view of the boat sports tower of FIG. 1;

FIG. 4 is a left side view of the boat sports tower of FIG. 1;

FIG. 5 is a right side view of the boat sports tower of FIG. 1;

FIG. 6 is a top view of the boat sports tower of FIG. 1;

FIG. 7 is a bottom view of the boat sports tower of FIG. 1;

FIG. 8 is a front view of the boat sports tower of FIG. 1 with the control panels stored in the sides of the seat; and,

FIG. 9 is a top view of the boat sports tower of FIG. 1 with the overhanging canopy removed and the control panels stored in the sides of the seat.

1 Claim, 5 Drawing Sheets

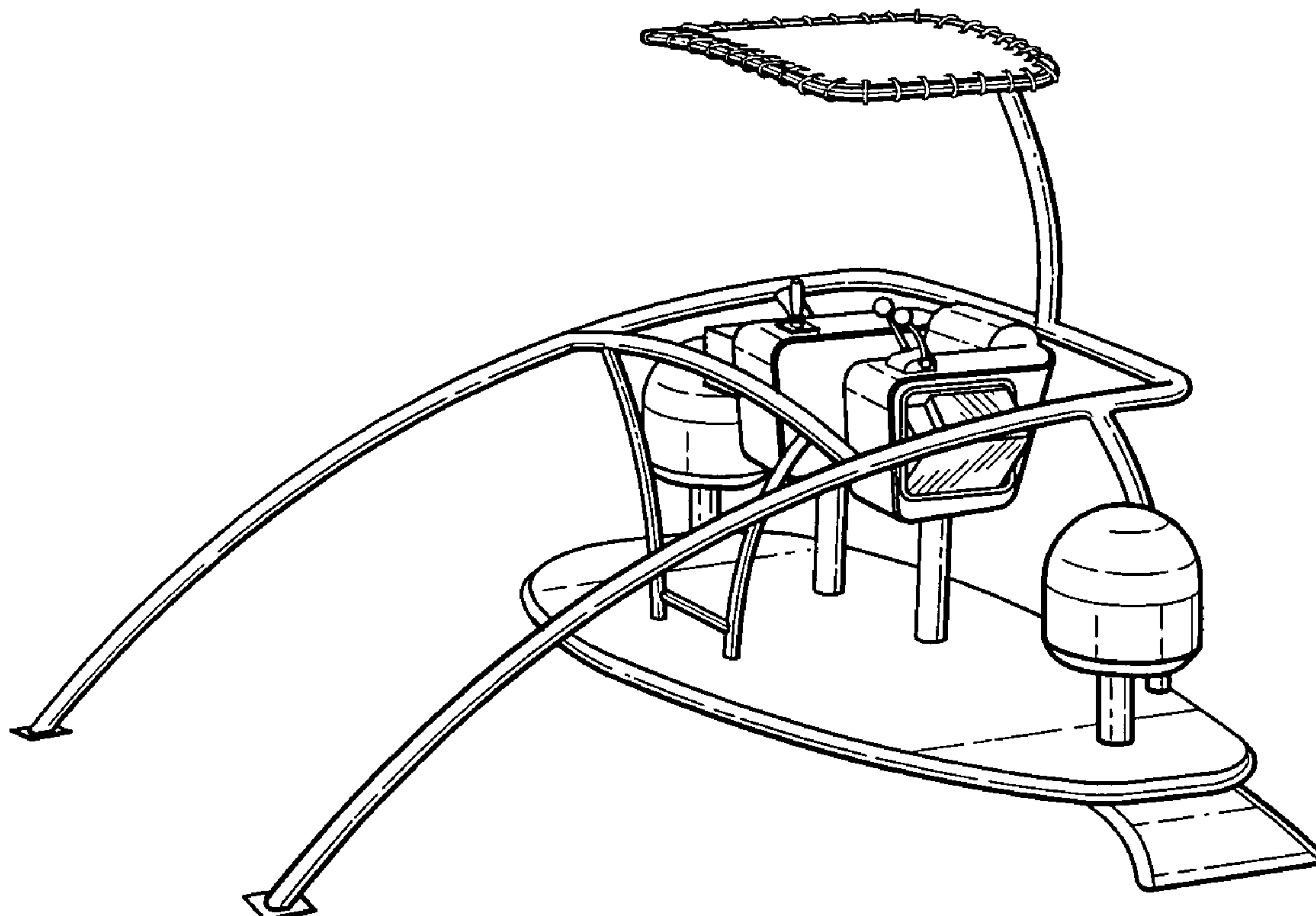


Fig. 1

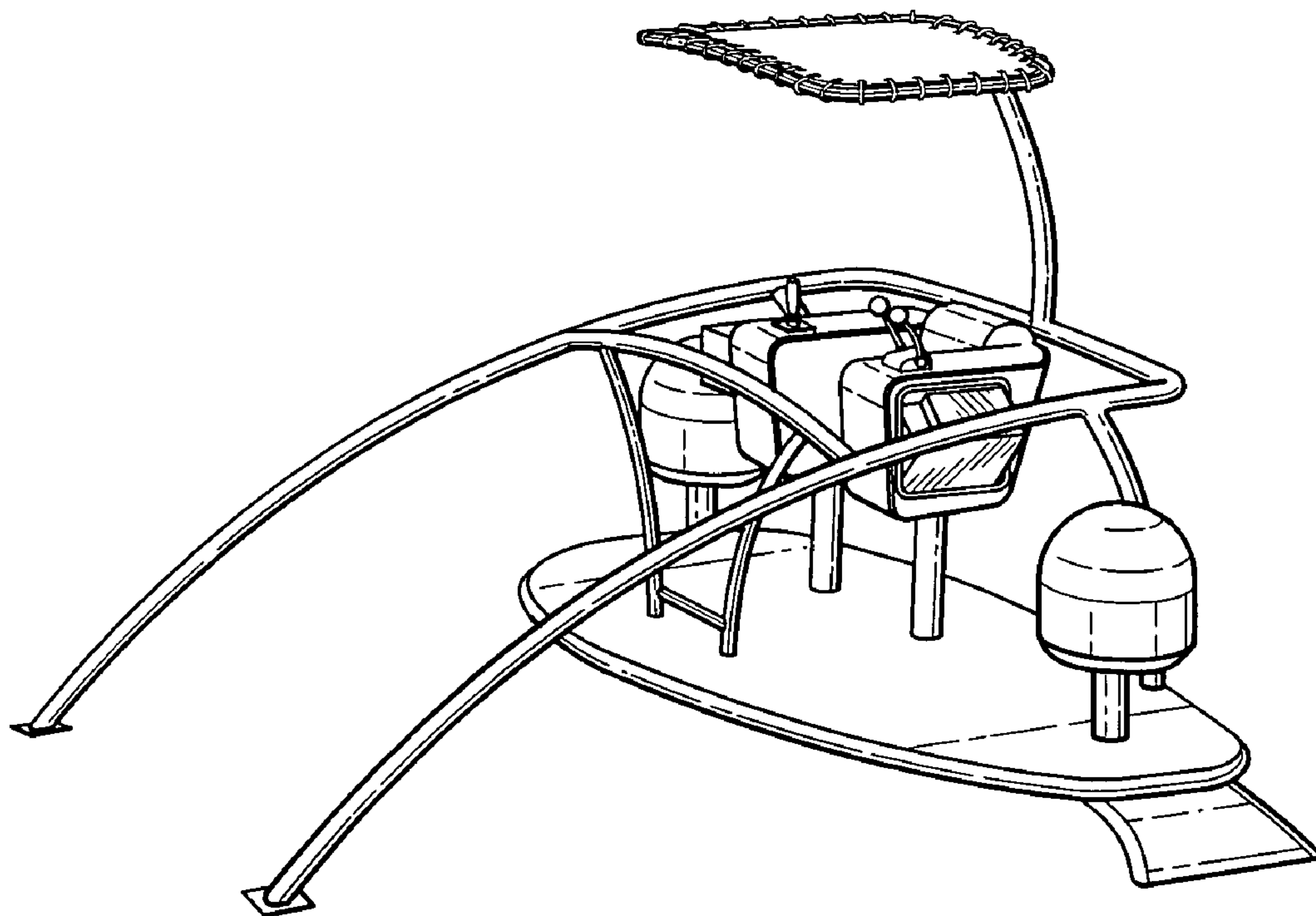


Fig. 2

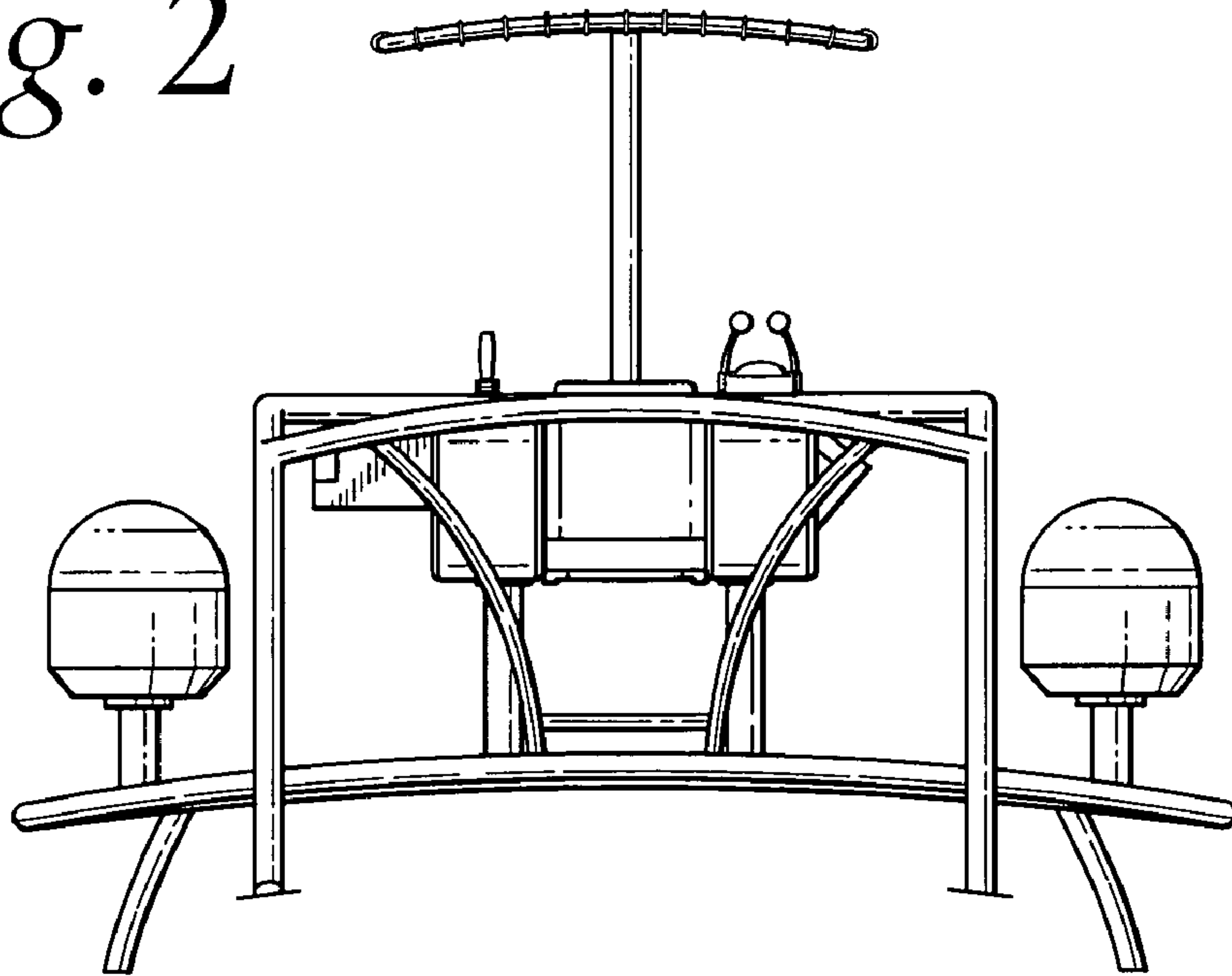


Fig. 3

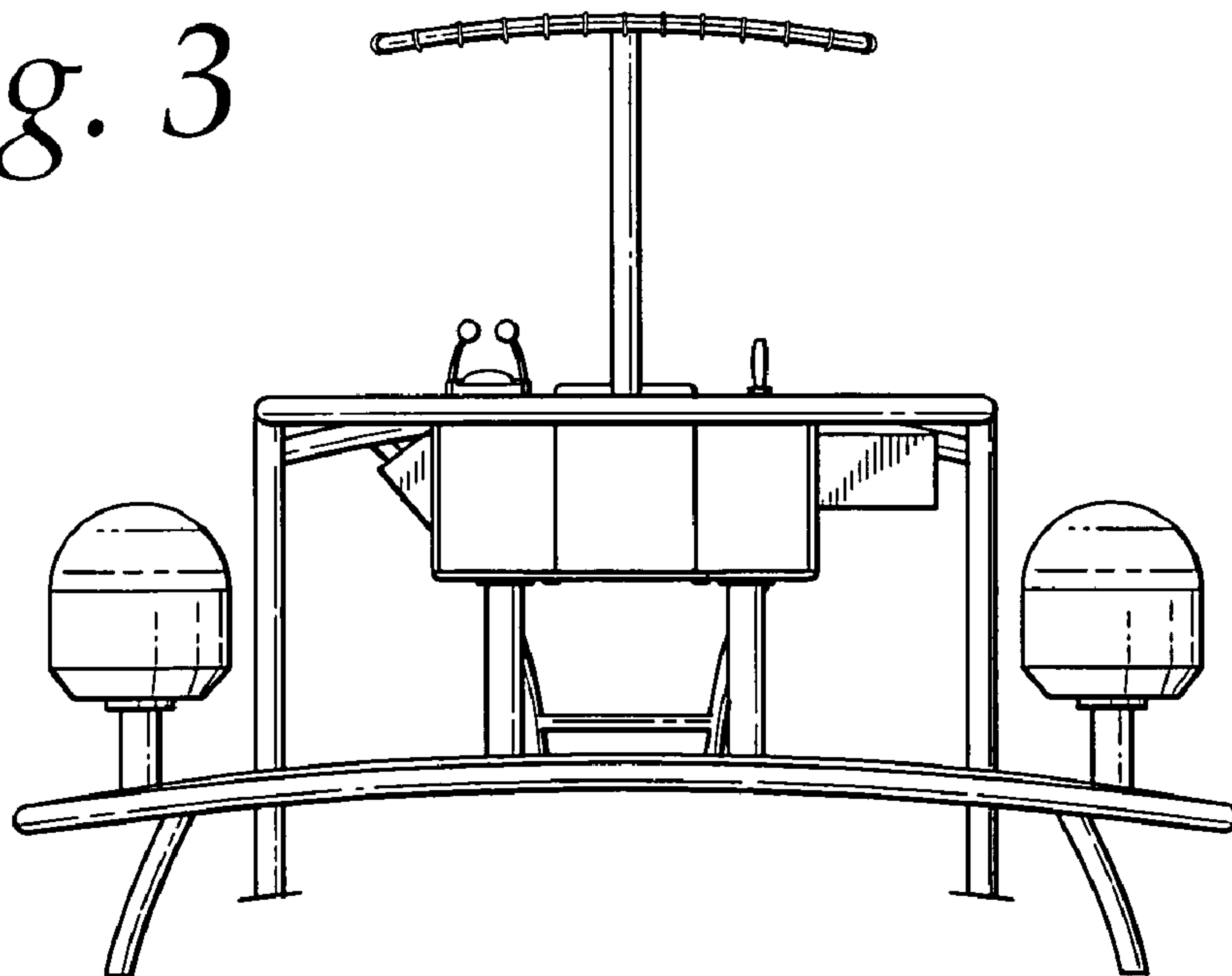


Fig. 4

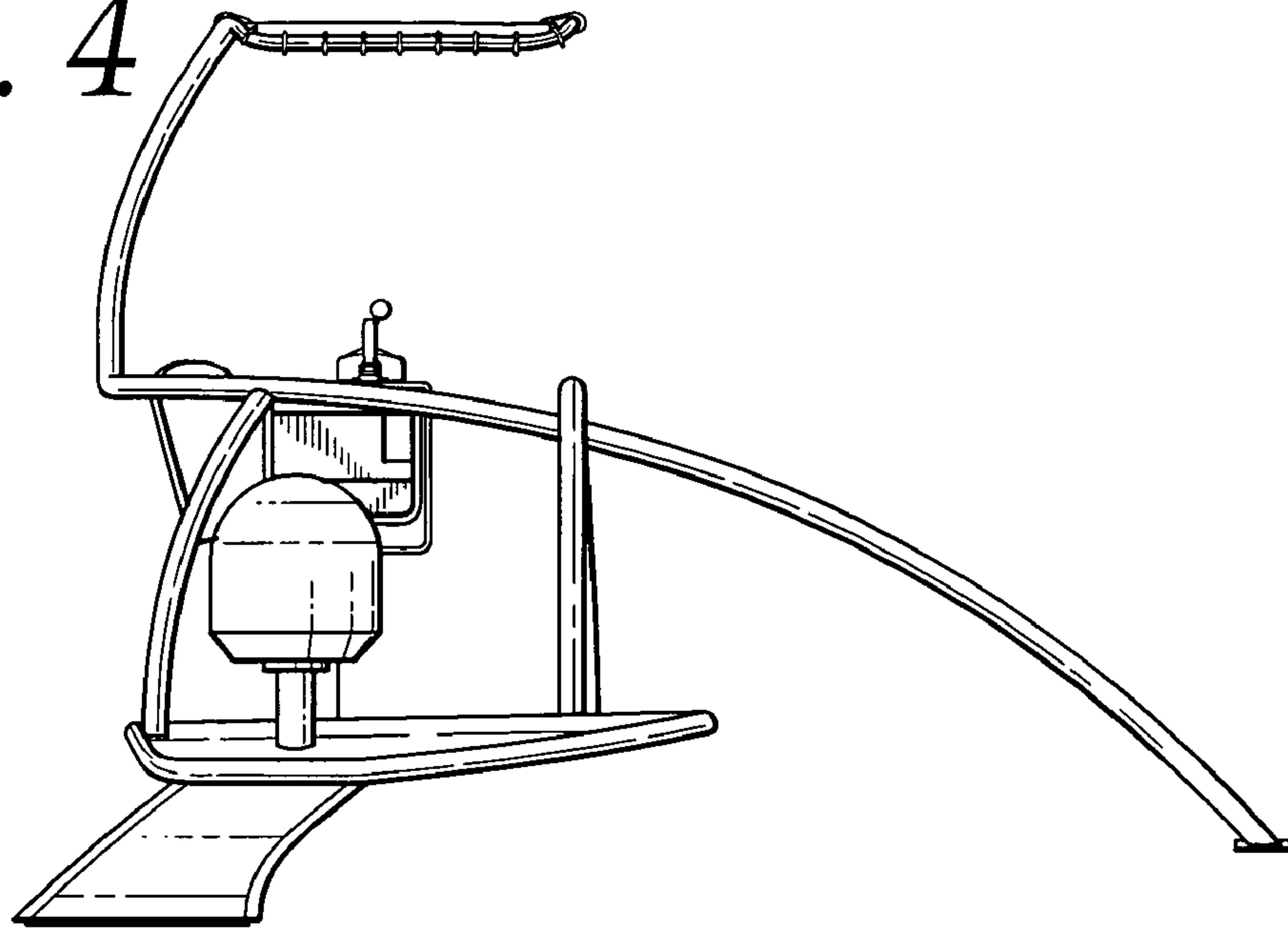


Fig. 5

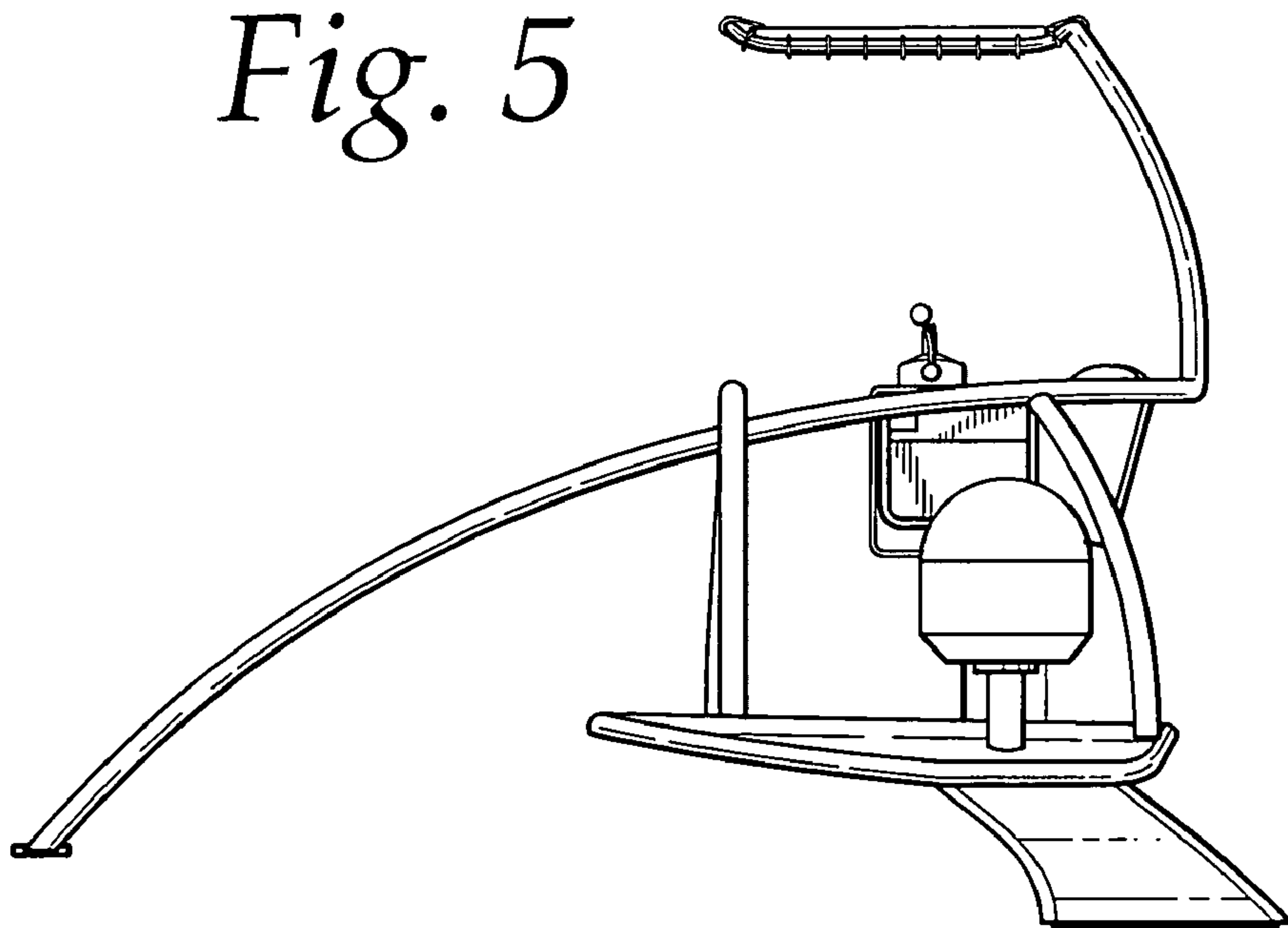


Fig. 6

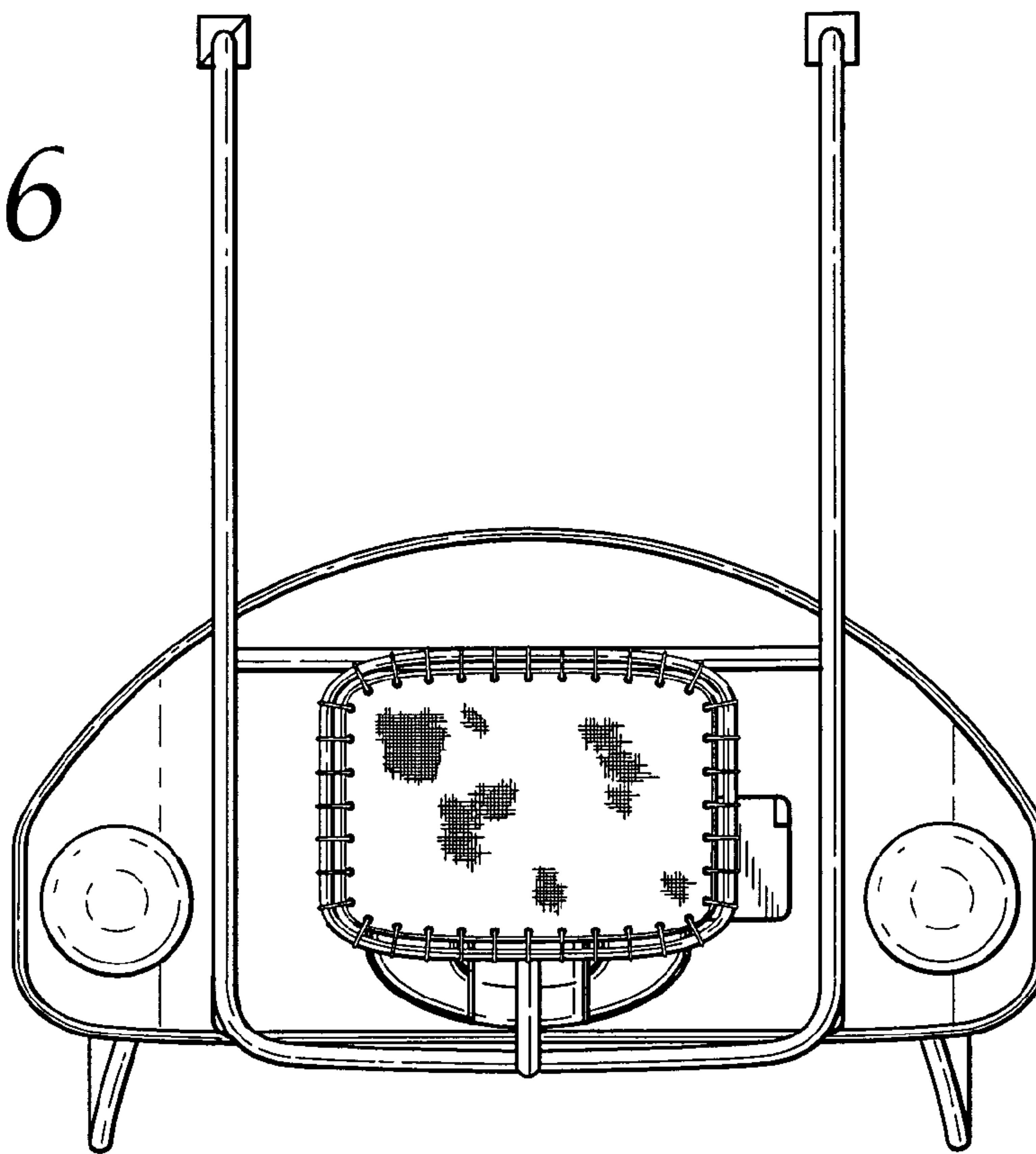


Fig. 7

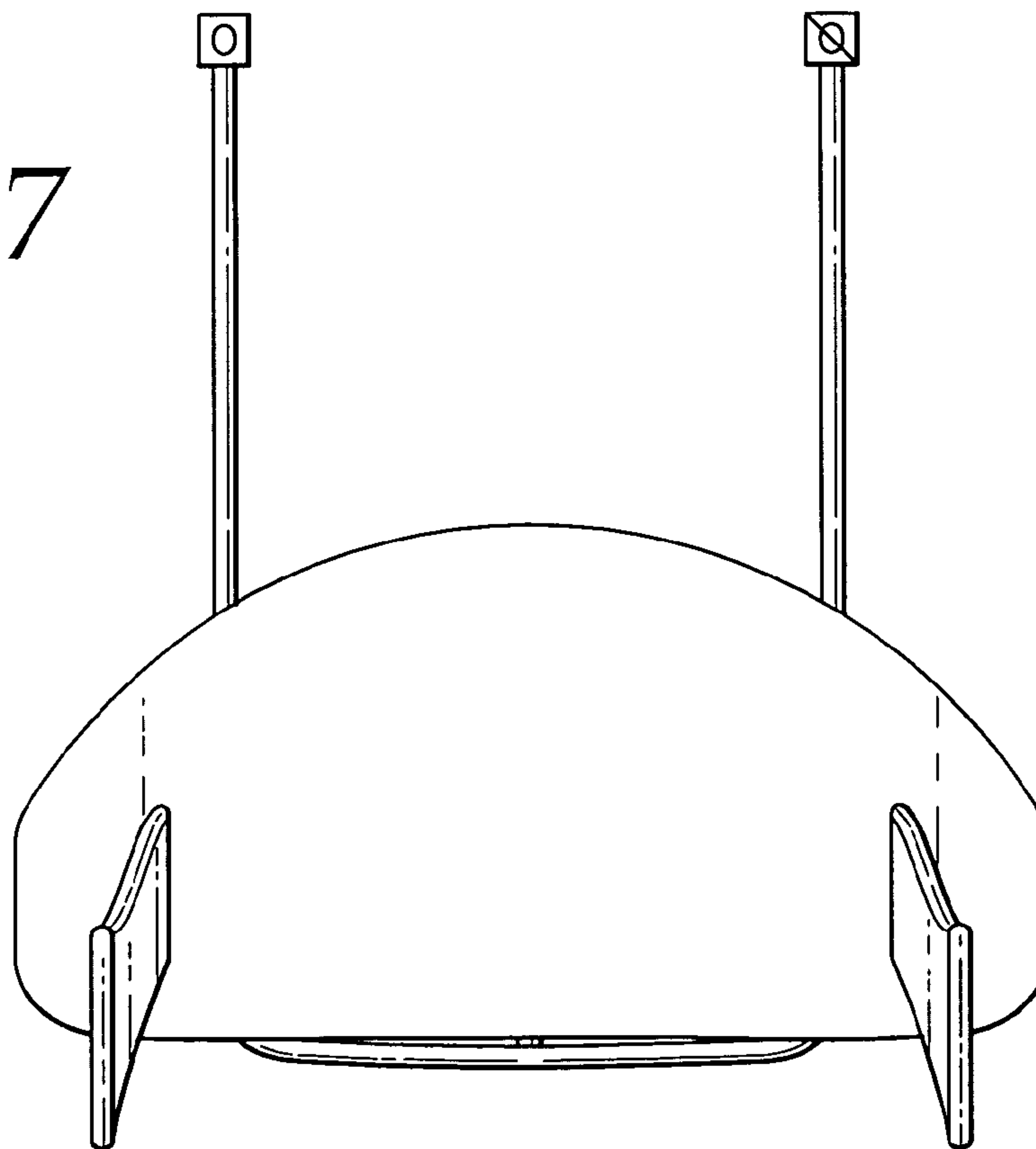


Fig. 8

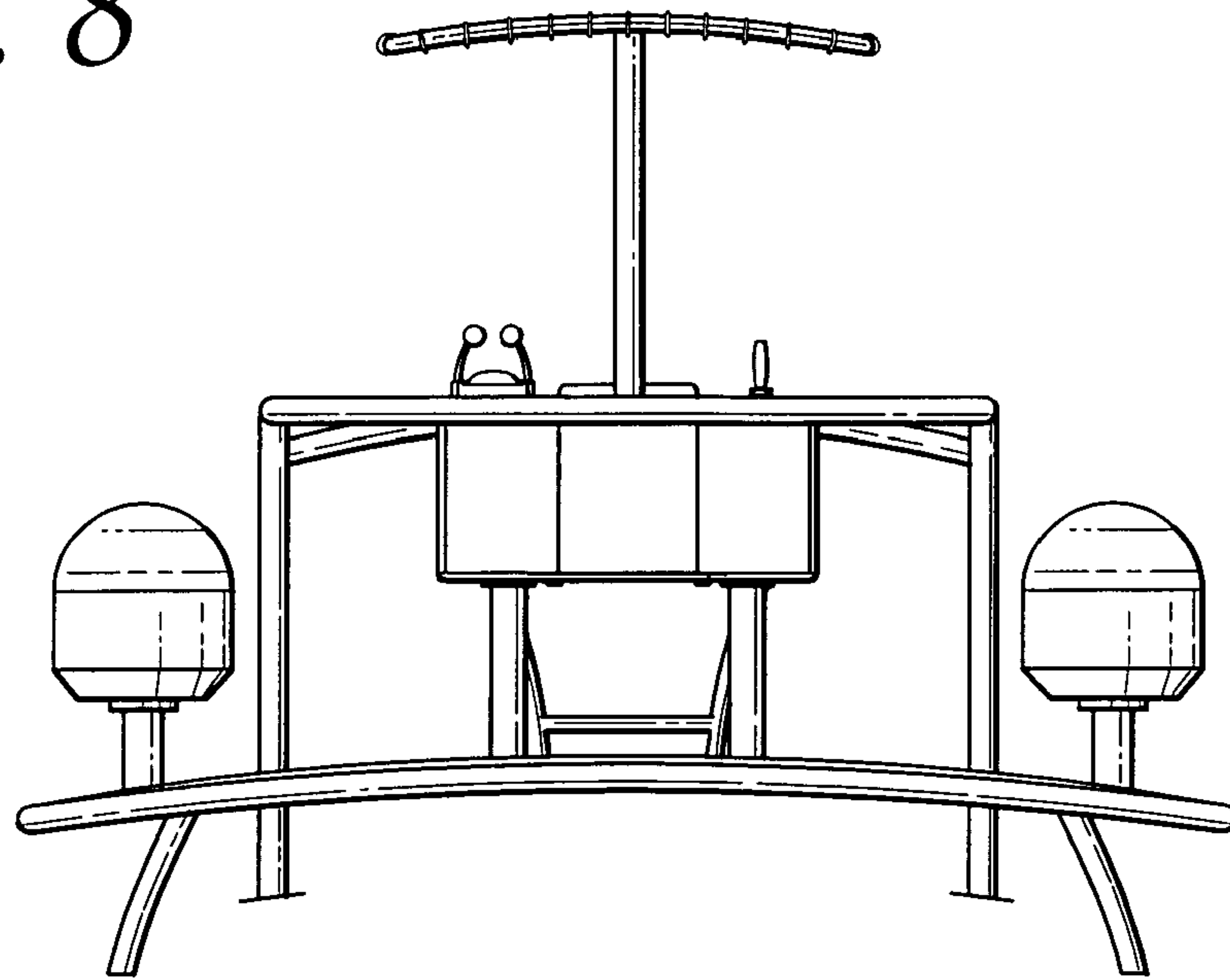


Fig. 9

