



US00D581853S

(12) **United States Design Patent**  
**Rak**

(10) **Patent No.:** **US D581,853 S**

(45) **Date of Patent:** **\*\* Dec. 2, 2008**

(54) **WHEEL OR WHEEL COVER**

(75) Inventor: **Oliver Rak**, Pforzheim (DE)

(73) Assignee: **Daimler AG**, Stuttgart (DE)

(\*\*) Term: **14 Years**

(21) Appl. No.: **29/309,264**

(22) Filed: **Jul. 16, 2008**

(30) **Foreign Application Priority Data**

Jan. 21, 2008 (EM) ..... 000860820-0001

(51) **LOC (8) Cl.** ..... **12-16**

(52) **U.S. Cl.** ..... **D12/211**

(58) **Field of Classification Search** ..... D12/204-213;  
301/37.101, 64.101, 65, 64.201

See application file for complete search history.

(56) **References Cited**

**U.S. PATENT DOCUMENTS**

D478,307 S *	8/2003	Maifrini	.....	D12/211
D492,235 S *	6/2004	Nordmann	.....	D12/211
D524,220 S *	7/2006	Scheu	.....	D12/211
D533,826 S *	12/2006	Scheu	.....	D12/211

D539,724 S *	4/2007	Muzzarelli	.....	D12/211
D540,238 S *	4/2007	Sycha	.....	D12/209
D542,207 S *	5/2007	Gauffres	.....	D12/211
D542,728 S *	5/2007	Ichinose	.....	D12/211
D548,160 S *	8/2007	Viandante	.....	D12/209
D558,118 S *	12/2007	Hueller	.....	D12/211
D566,641 S *	4/2008	Fuligni et al.	.....	D12/211
D570,761 S *	6/2008	Antoniadis et al.	.....	D12/211
D573,081 S *	7/2008	Kim et al.	.....	D12/211

\* cited by examiner

*Primary Examiner*—Stacia Cadmus

(74) *Attorney, Agent, or Firm*—Crowell & Moring LLP

(57) **CLAIM**

The ornamental design for a wheel or wheel cover, as shown and described.

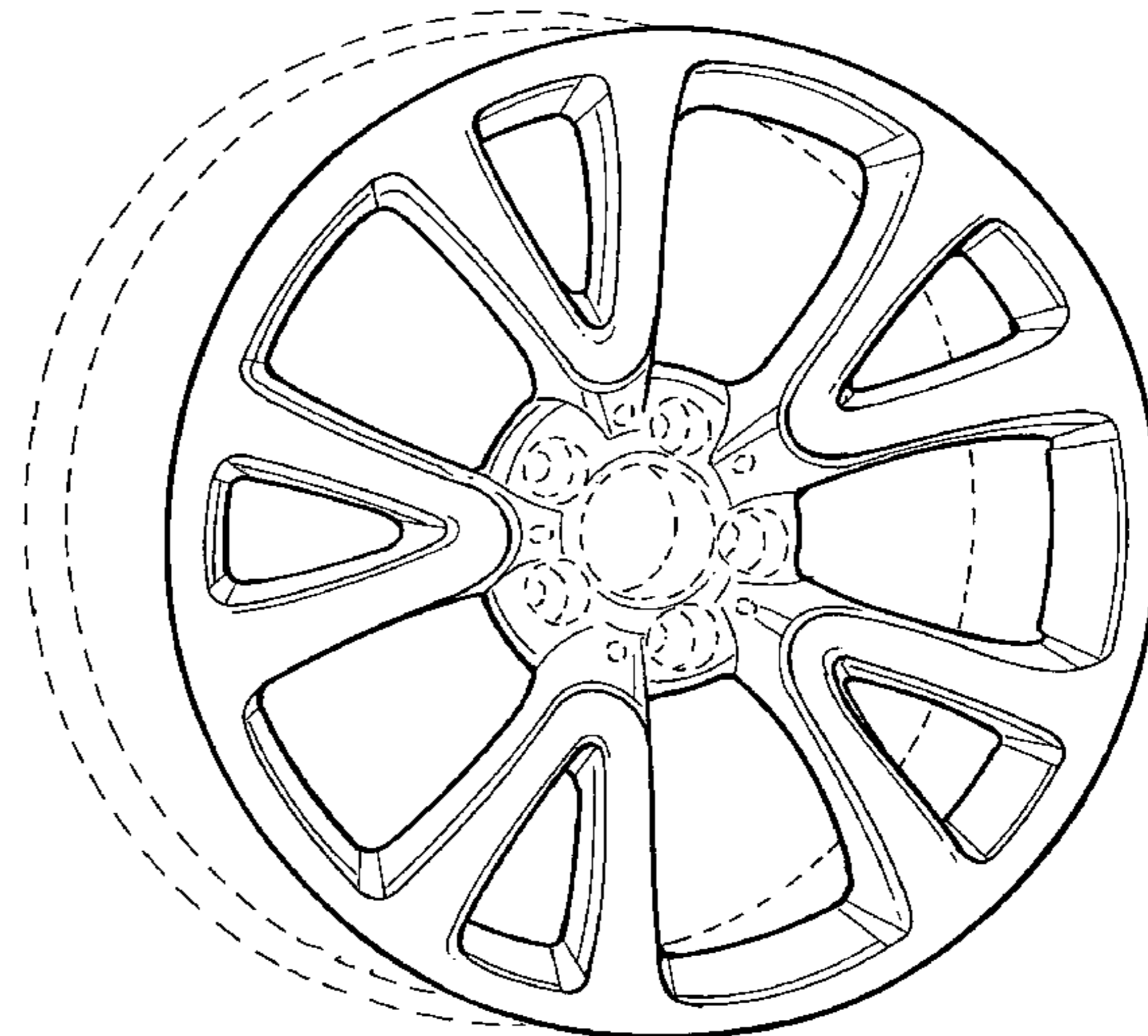
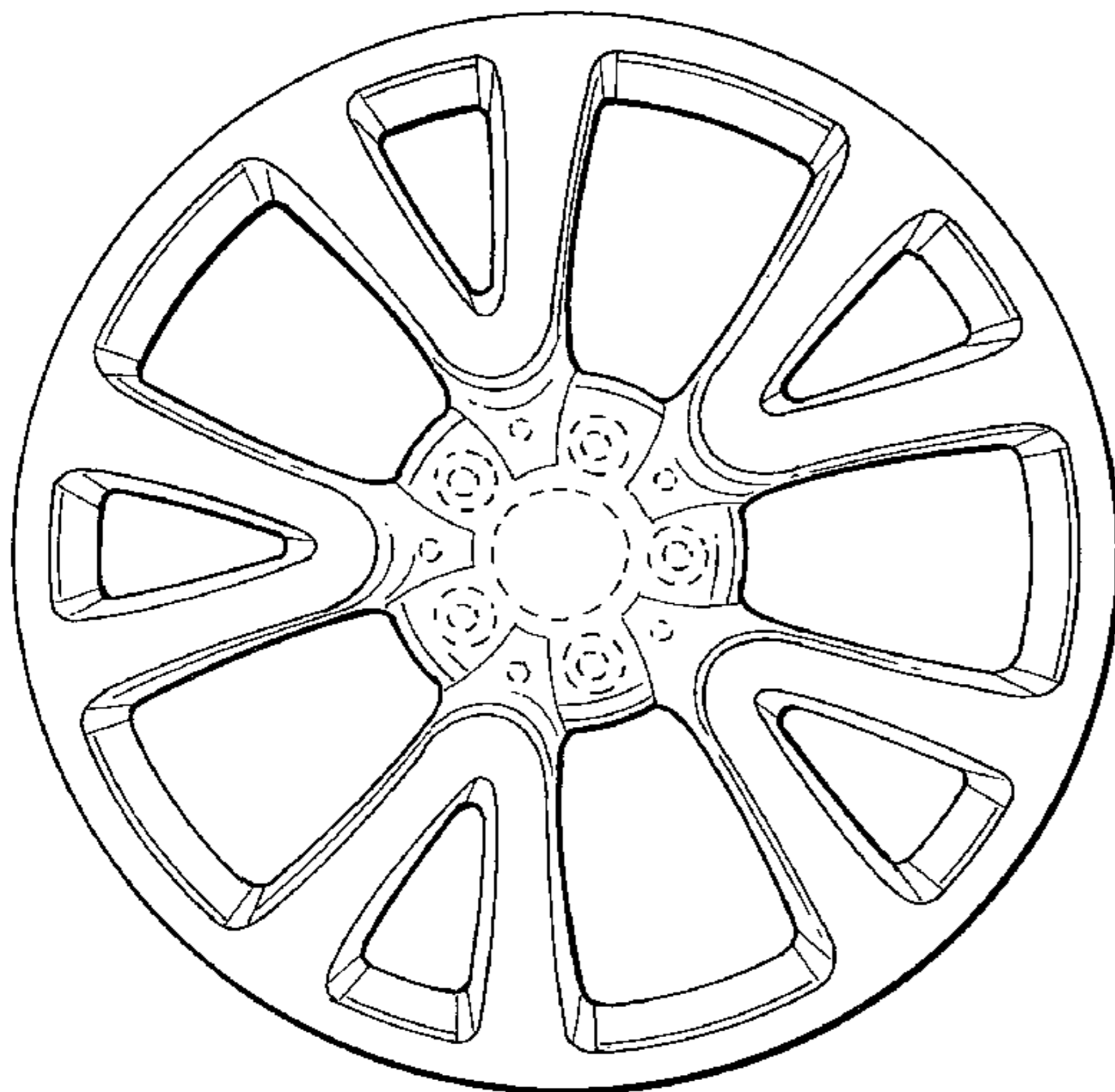
**DESCRIPTION**

FIG. 1 is a front view of a wheel or wheel cover according to my novel design; and,

FIG. 2 is a perspective view thereof.

The broken lines are for illustrative purposes only and form no part of the claimed design.

**1 Claim, 1 Drawing Sheet**



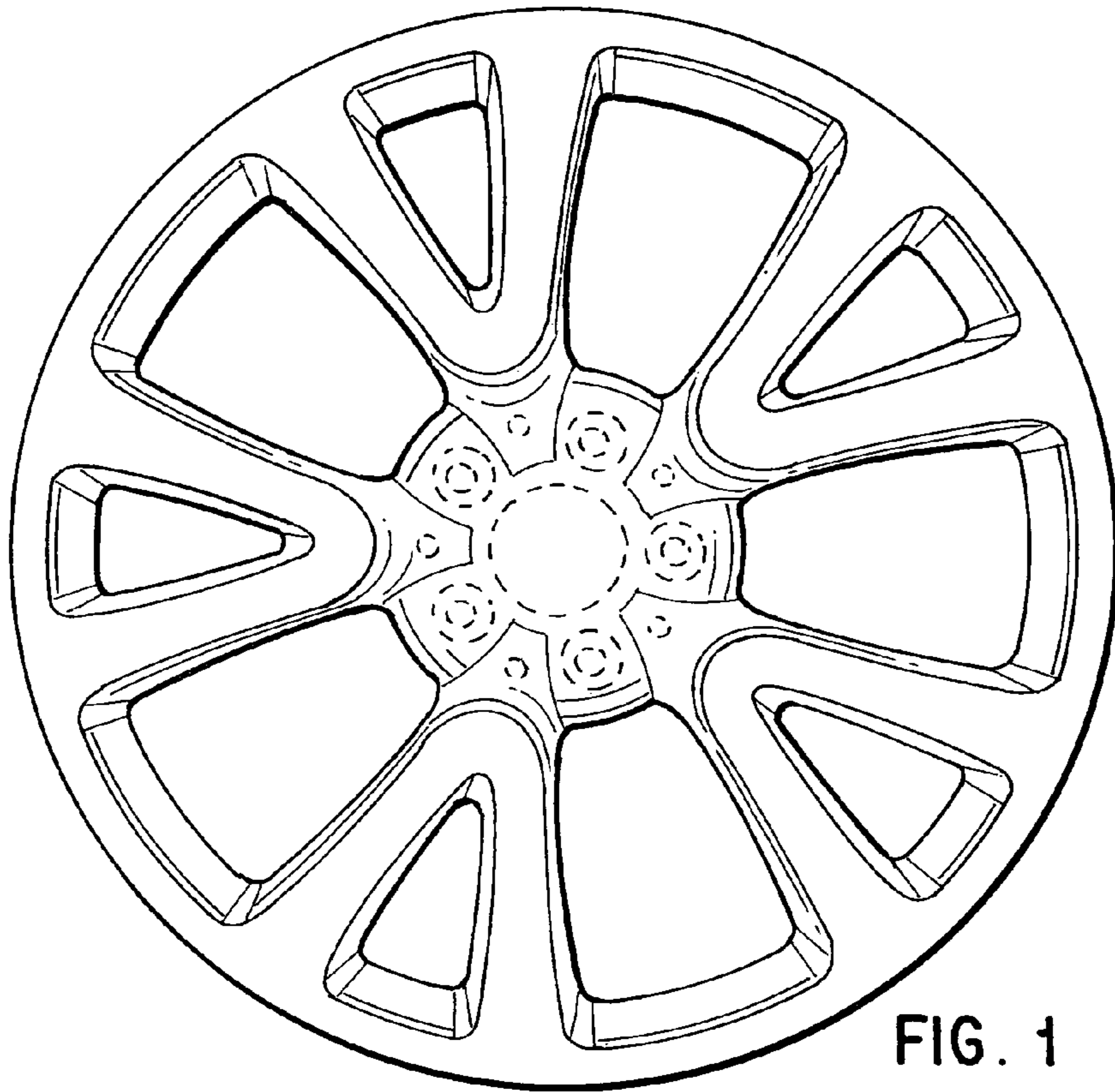


FIG. 1

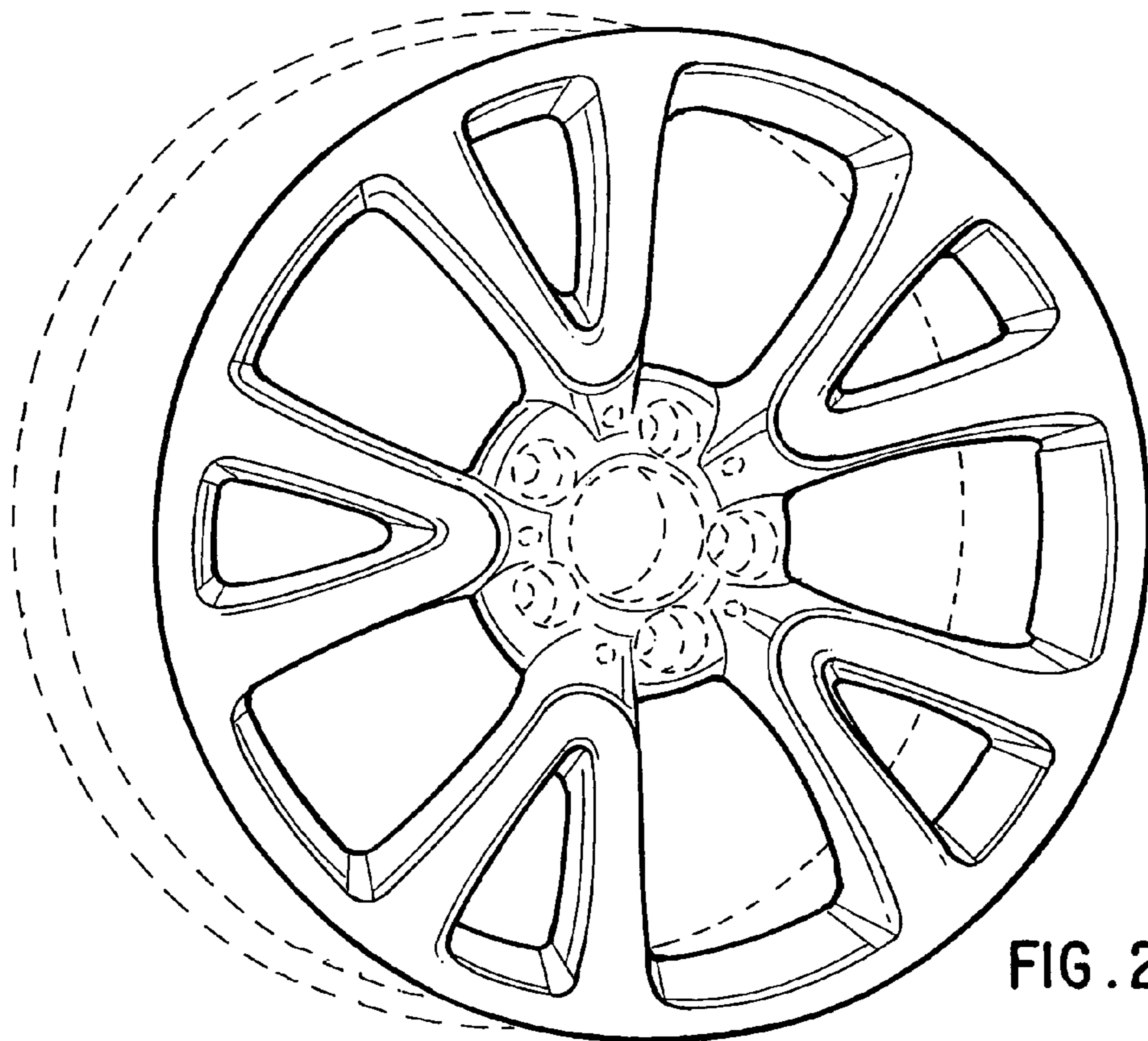


FIG. 2