



US00D581851S

(12) **United States Design Patent**  
**Scheu**

(10) **Patent No.:** **US D581,851 S**

(45) **Date of Patent:** **\*\* Dec. 2, 2008**

(54) **FRONT FACE OF A VEHICLE WHEEL**

(75) Inventor: **Armin Scheu**, Stuttgart (DE)

(73) Assignee: **Daimler AG**, Stuttgart (DE)

(\*\*) Term: **14 Years**

(21) Appl. No.: **29/287,433**

(22) Filed: **Aug. 6, 2007**

(30) **Foreign Application Priority Data**

Feb. 7, 2007 (EM) ..... 000665500

(51) **LOC (8) Cl.** ..... **12-16**

(52) **U.S. Cl.** ..... **D12/211**

(58) **Field of Classification Search** ..... D12/204–213;  
301/37.101, 64.101, 65, 64.201  
See application file for complete search history.

(56) **References Cited**

**U.S. PATENT DOCUMENTS**

D450,647 S *	11/2001	Pfeiffer	.....	D12/211
D485,524 S *	1/2004	Bhambra	.....	D12/209
D504,100 S *	4/2005	Pollmann	.....	D12/211
D513,487 S *	1/2006	Wachtler	.....	D12/209
D516,982 S *	3/2006	Gallert	.....	D12/209

D517,971 S *	3/2006	Pfeiffer	.....	D12/211
D526,610 S *	8/2006	Muzzarelli	.....	D12/211
D530,257 S *	10/2006	Pfeiffer	.....	D12/211
D533,826 S *	12/2006	Scheu	.....	D12/211
D540,239 S *	4/2007	Pfeiffer	.....	D12/211
D570,761 S *	6/2008	Antoniadis et al.	.....	D12/211
D573,081 S *	7/2008	Kim et al.	.....	D12/211

\* cited by examiner

*Primary Examiner*—Stacia Cadmus

(74) *Attorney, Agent, or Firm*—Crowell & Moring LLP

(57) **CLAIM**

The ornamental design for a front face of a vehicle wheel, as shown and described.

**DESCRIPTION**

FIG. 1 is a front view of a first embodiment of a front face of a vehicle wheel according to my novel design; and

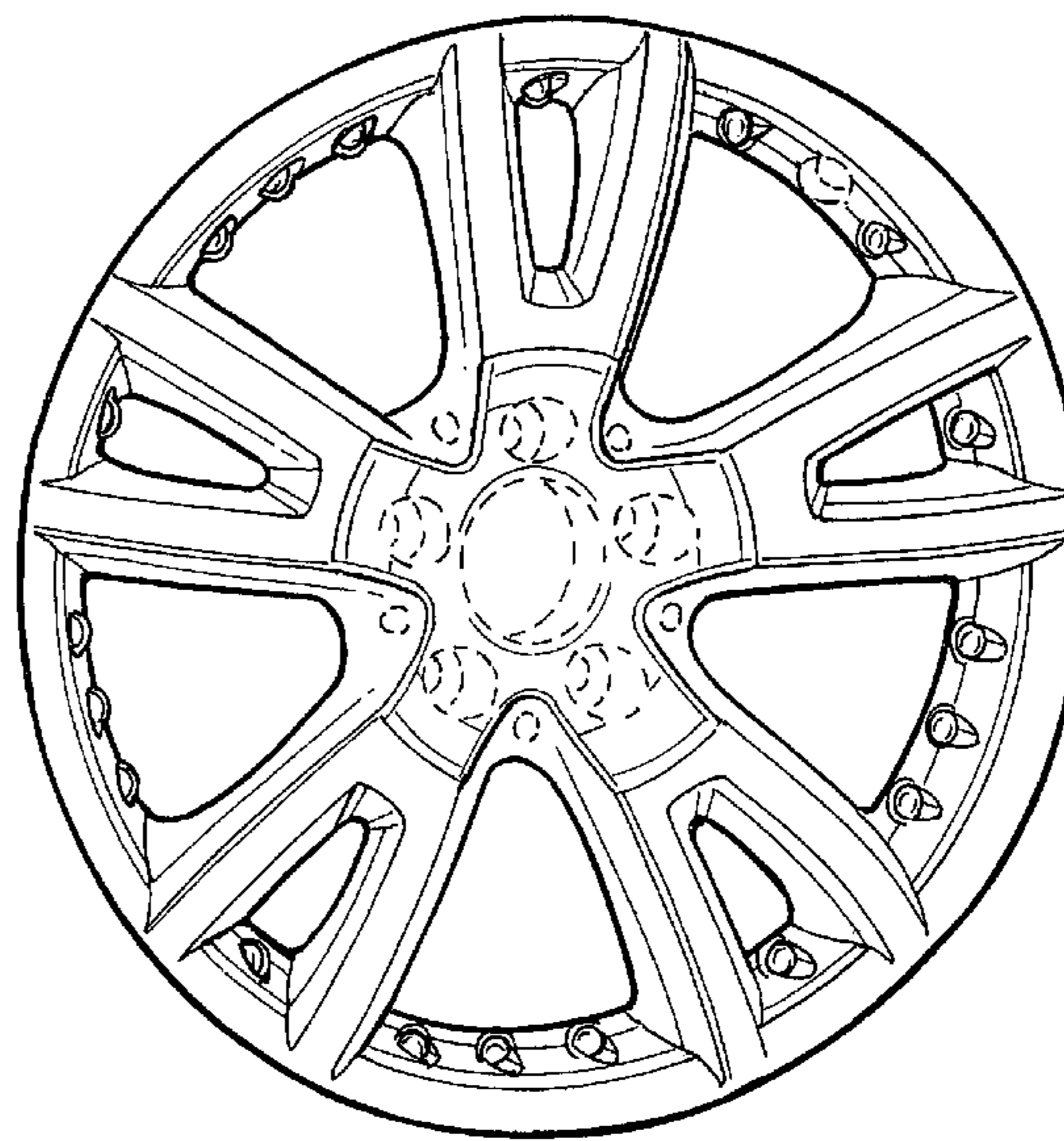
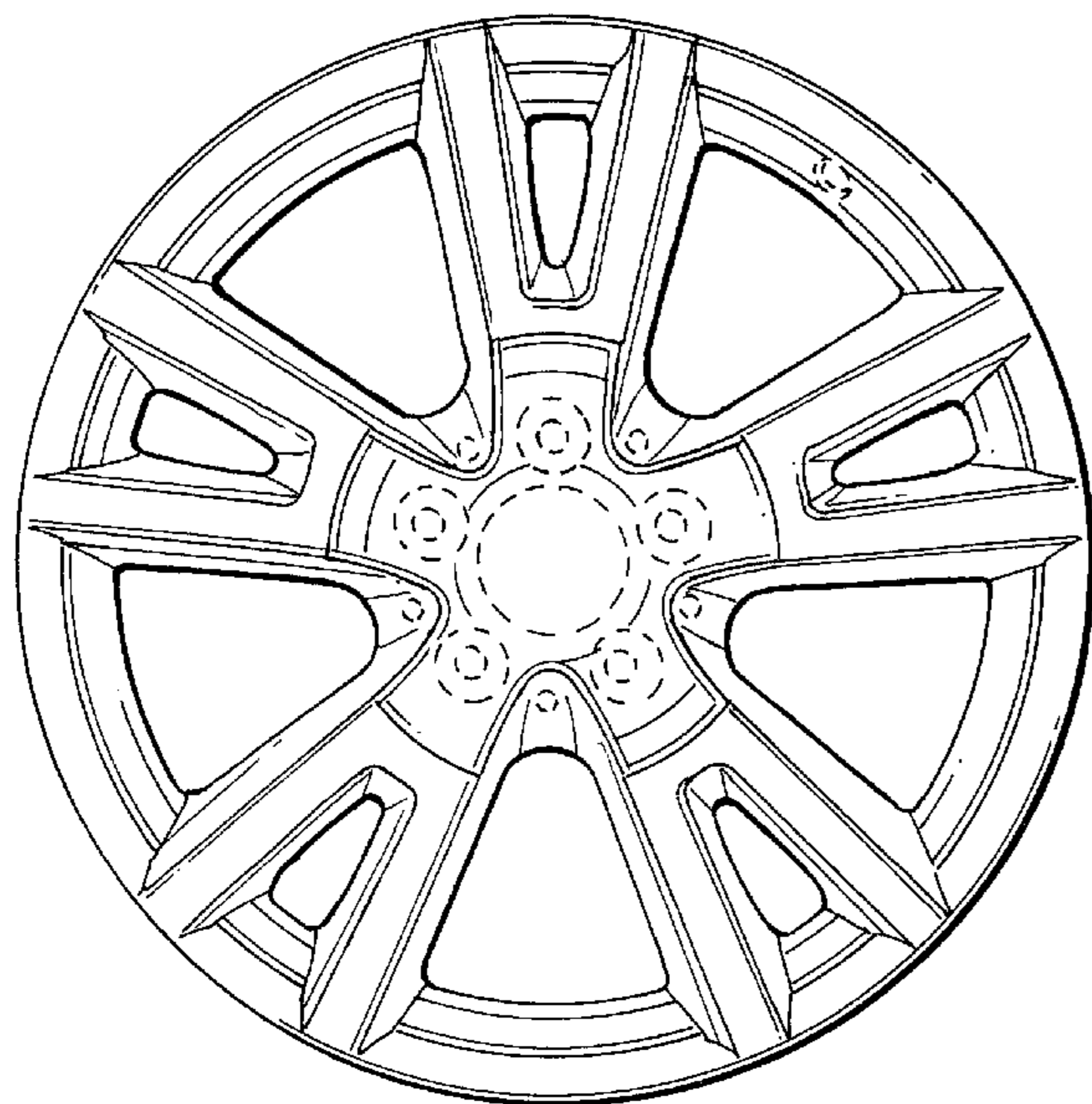
FIG. 2 is a perspective view thereof.

FIG. 3 is a front view of a second embodiment of the front face of a vehicle wheel according to my novel design; and,

FIG. 4 is a perspective view thereof.

The broken lines are for illustrative purposes only and form no part of the claimed design.

**1 Claim, 2 Drawing Sheets**



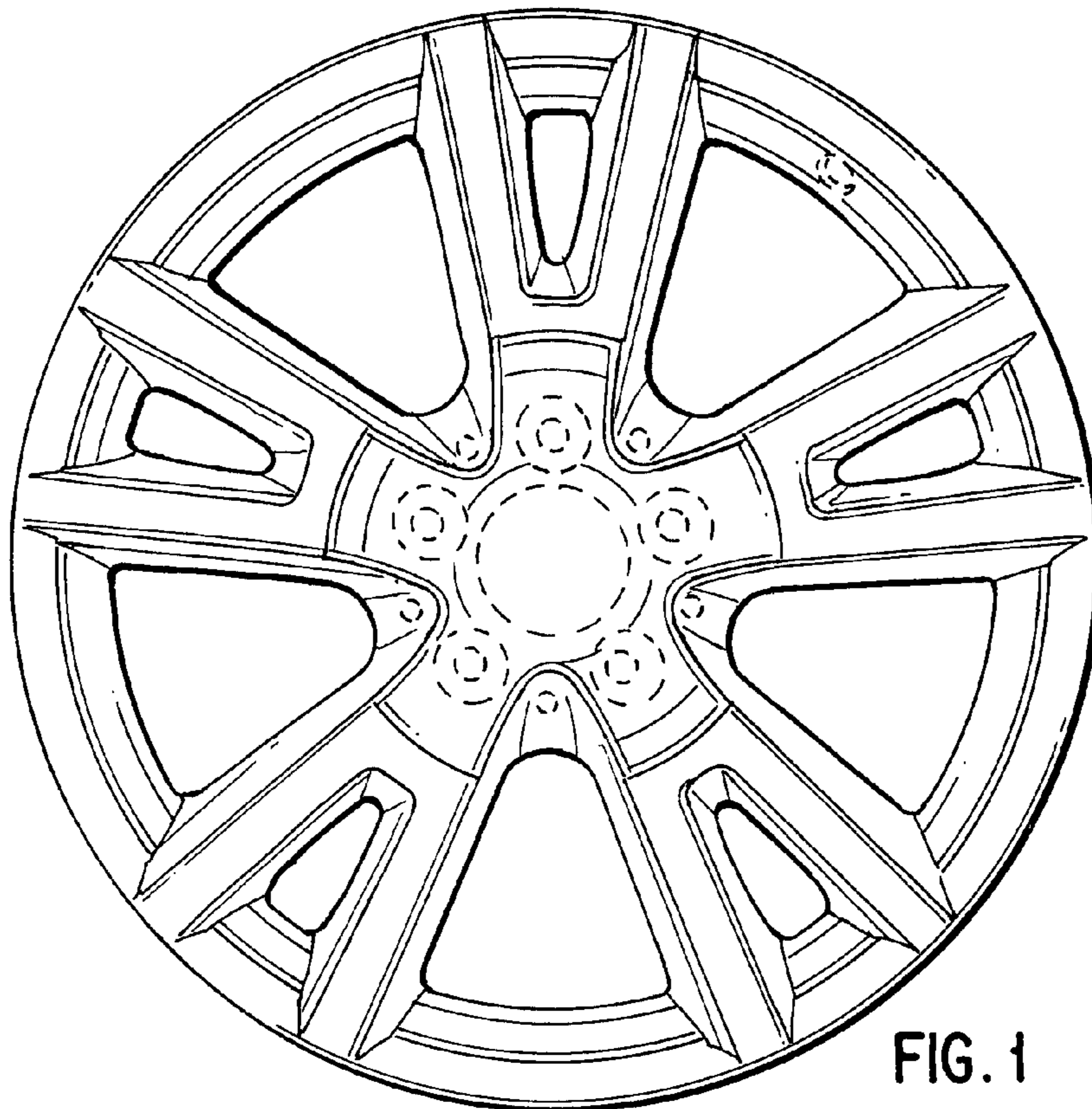


FIG. 1

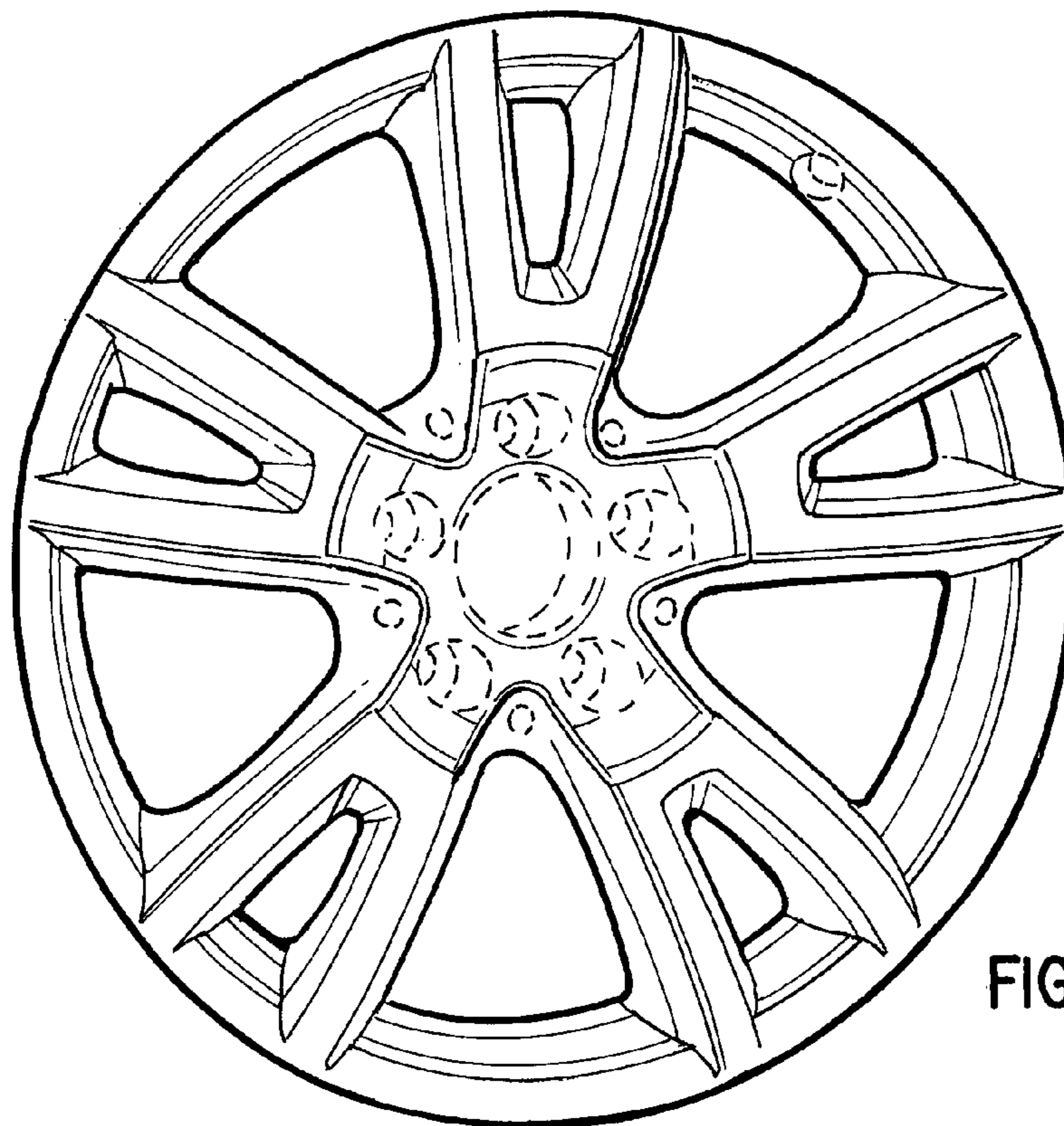


FIG. 2



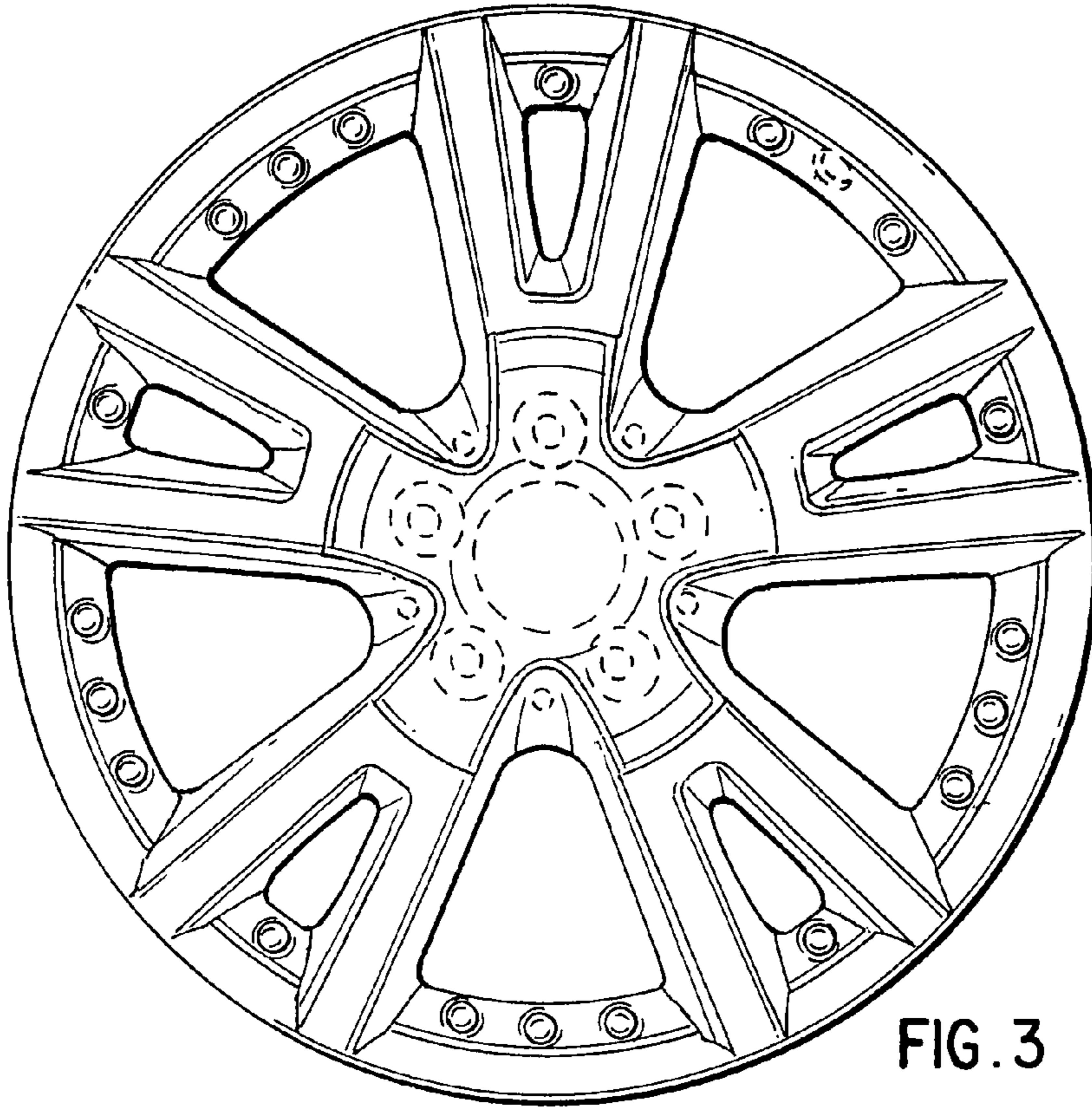


FIG. 3

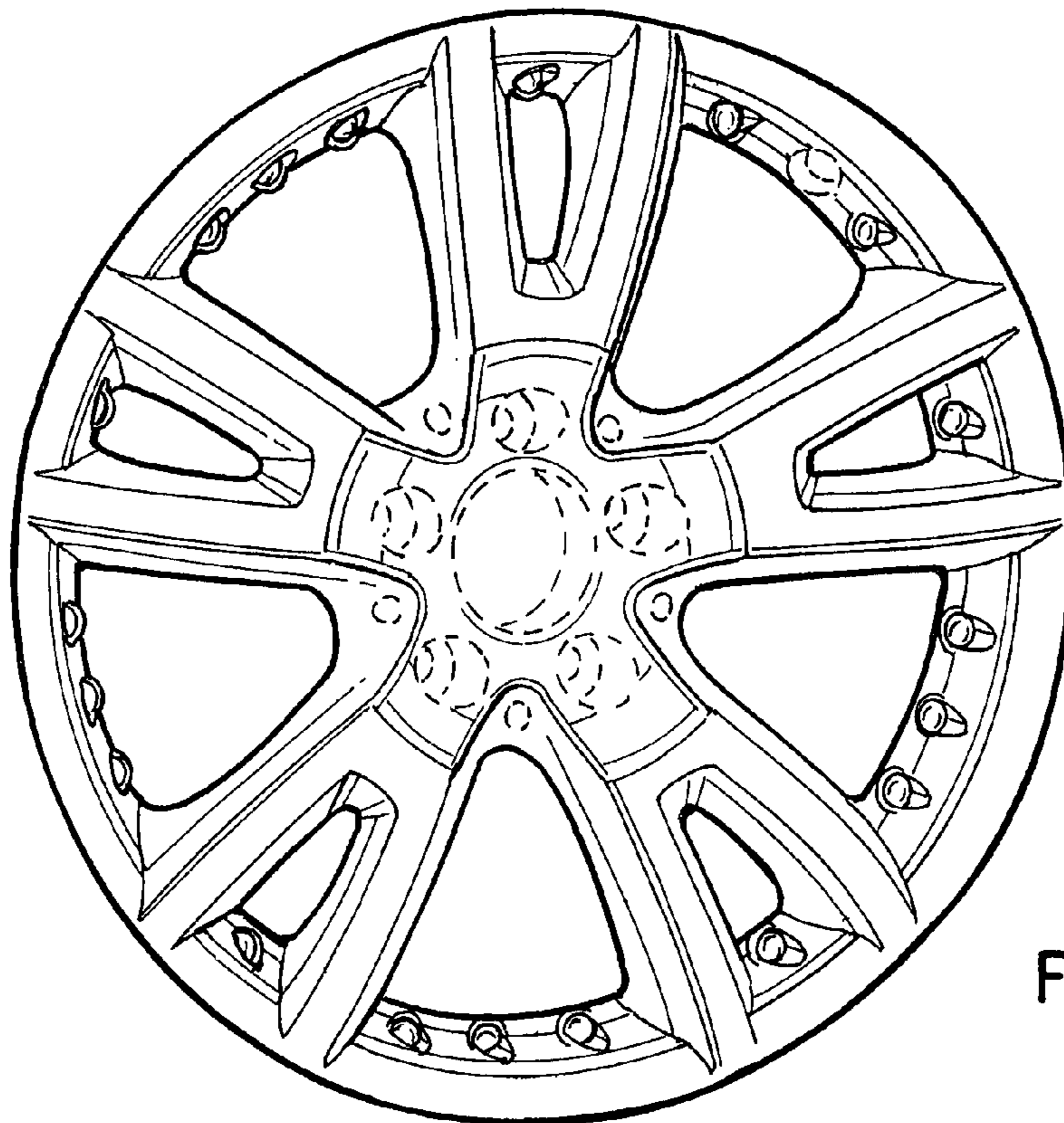


FIG. 4