



US00D581847S

(12) **United States Design Patent**  
**Denet**

(10) **Patent No.:** **US D581,847 S**

(45) **Date of Patent:** **\*\* Dec. 2, 2008**

(54) **ACCESSORY FOR VEHICLE EXTERIOR**

D539,200 S 3/2007 Chan  
D550,136 S \* 9/2007 Beigel et al. .... D12/196  
D559,742 S \* 1/2008 Thomas et al. .... D12/163

(76) Inventor: **Scott Denet**, 3603 James St., Shrub Oak,  
NY (US) 10588

\* cited by examiner

(\*\*) Term: **14 Years**

*Primary Examiner*—Melody N Brown

(21) Appl. No.: **29/280,729**

(74) *Attorney, Agent, or Firm*—Richard Pettus; King &  
Spalding LLP

(22) Filed: **Jun. 5, 2007**

(57) **CLAIM**

(51) **LOC (8) Cl.** ..... **12-16**

The ornamental design for an accessory for vehicle exterior,  
as shown and described.

(52) **U.S. Cl.** ..... **D12/196**

(58) **Field of Classification Search** ..... D12/196,  
D12/90–92, 86; 296/181.1, 181.5

See application file for complete search history.

**DESCRIPTION**

(56) **References Cited**

In use, the vehicle accessory can be affixed to the exterior of  
a vehicle to modify the appearance thereof. The accessory is  
preferably affixed to the decklid of a Ford Mustang™ having  
the decklid configuration of the 2005–2007 models.

U.S. PATENT DOCUMENTS

2,599,047	A	6/1952	Clark	
3,147,176	A	9/1964	Haslam	
3,659,887	A	5/1972	Marquette	
4,310,978	A	1/1982	Stern	
D272,429	S	1/1984	Trombley et al.	
D289,891	S	5/1987	Bielby	
4,663,874	A	5/1987	Sano et al.	
4,775,559	A	10/1988	Kanamori	
D313,862	S	1/1991	Gaukler	
5,931,522	A	8/1999	Roskey	
D492,922	S *	7/2004	Numata	D12/196
D499,680	S *	12/2004	Lucas	D12/196
6,926,339	B2	8/2005	Gentile	
7,083,211	B1	8/2006	Bores	
7,087,132	B2	8/2006	Krey, Jr.	

FIG. 1 is a perspective view of an accessory for vehicle  
exterior, wherein the broken lines showing the vehicle are  
provided for illustrative purposes only and form no part of the  
claimed design;

FIG. 2 is a front elevation view thereof;

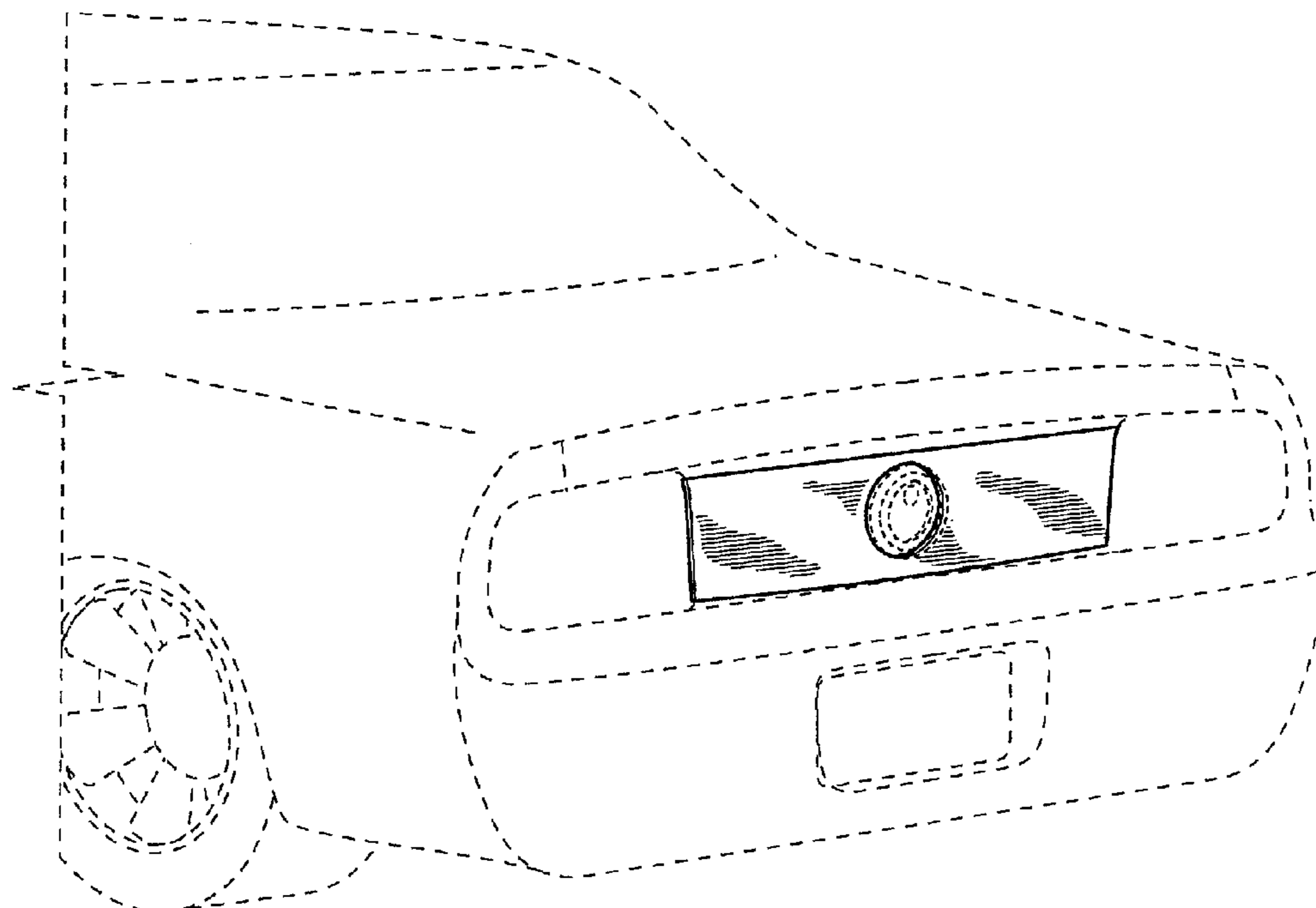
FIG. 3 is a rear elevation view thereof;

FIG. 4 is a side elevation view thereof, the right and left sides  
being identical;

FIG. 5 is a top plan view thereof; and,

FIG. 6 is a bottom plan view thereof.

**1 Claim, 2 Drawing Sheets**



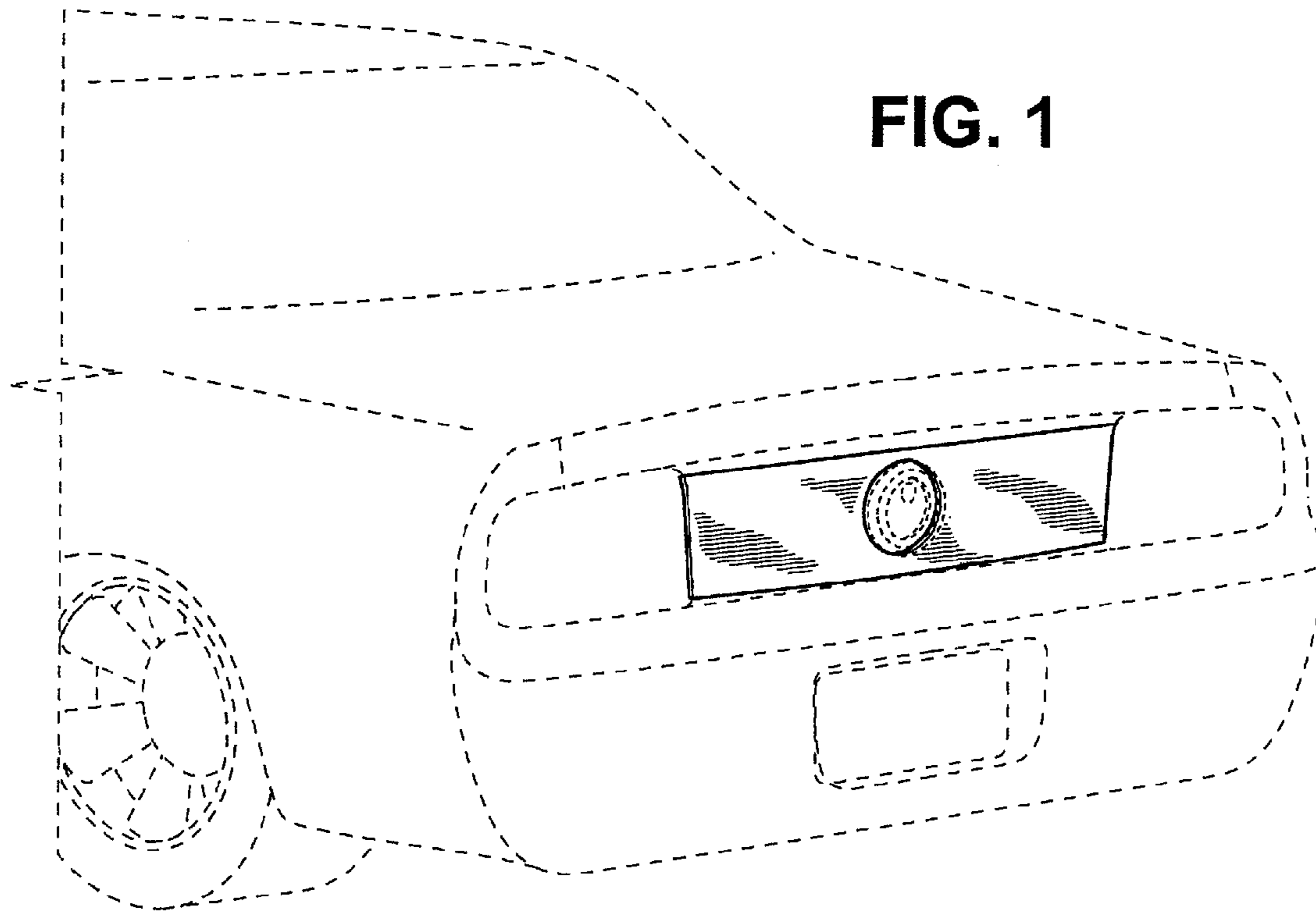
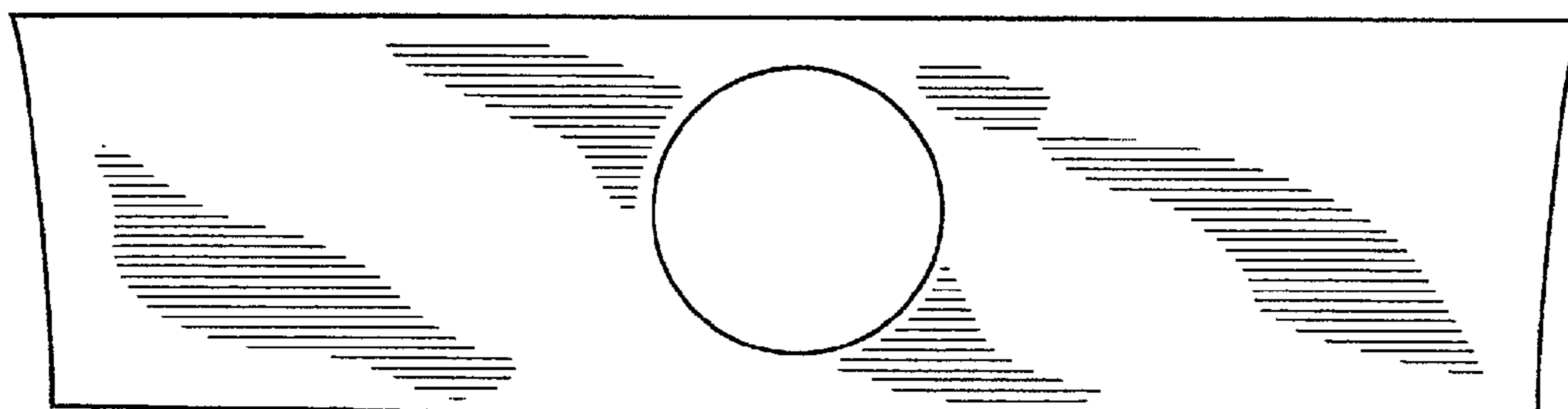
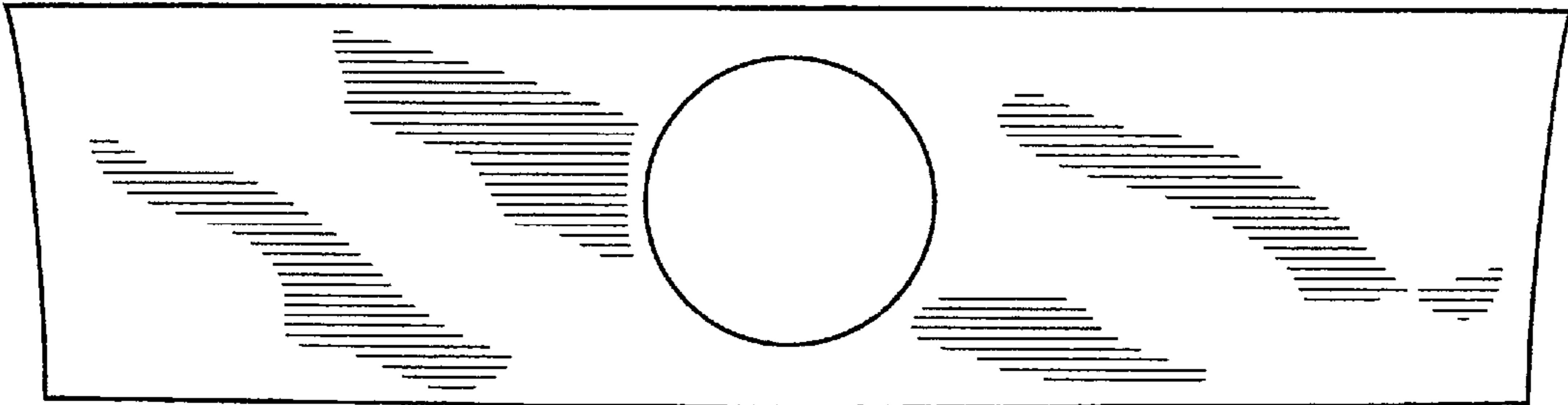


FIG. 2



**FIG. 3**



**FIG. 4**



**FIG. 5**



**FIG. 6**

