



US00D581846S

(12) **United States Design Patent**
Longpre et al.

(10) **Patent No.:** **US D581,846 S**
(45) **Date of Patent:** **** Dec. 2, 2008**

(54) **FENDER ASSEMBLY**

(75) Inventors: **Guillaume Longpre**, Granby (CA);
Denys Lapointe, St-Bruno (CA);
Martin Portelance, Sherbrooke (CA);
Etienne Guay, Orford (CA); **Nicolas DeLuy**, Sherbrooke (CA)

(73) Assignee: **Bombardier Recreational Products Inc.**, Valcourt (CA)

(**) Term: **14 Years**

(21) Appl. No.: **29/282,155**

(22) Filed: **Jul. 12, 2007**

Related U.S. Application Data

(63) Continuation-in-part of application No. 29/279,940, filed on May 11, 2007.

(51) **LOC (8) Cl.** **12-16**

(52) **U.S. Cl.** **D12/186; D12/107**

(58) **Field of Classification Search** D12/107,
D12/110, 182-186, 112, 85, 118, 3, 86, 87,
D12/126; 180/219, 220, 225, 229, 16, 210-217,
180/233, 311, 312, 223; 280/288.1-288.4,
280/152.1-152.3, 160.1, 852, 202, 282; 293/102-105
See application file for complete search history.

(56) **References Cited**

U.S. PATENT DOCUMENTS

| | | | | |
|--------------|------|---------|-------------------|-----------|
| 6,446,744 | B2 | 9/2002 | Wubbolts et al. | |
| 6,604,594 | B2 | 8/2003 | Wubbolts et al. | |
| 6,655,487 | B2 | 12/2003 | Malette et al. | |
| D485,788 | S | 1/2004 | Guay et al. | |
| 6,695,330 | B2 * | 2/2004 | Hata | 280/152.3 |
| 6,866,110 | B2 | 3/2005 | Malette et al. | |
| 6,948,581 | B2 | 9/2005 | Fecteau et al. | |
| D512,669 | S * | 12/2005 | Manchester et al. | D12/186 |
| D547,242 | S * | 7/2007 | Lambri | D12/110 |
| 2001/0040064 | A1 | 11/2001 | Girouard et al. | |
| 2002/0129984 | A1 | 9/2002 | Wubbolts et al. | |
| 2003/0221890 | A1 | 12/2003 | Fecteau et al. | |
| 2003/0221891 | A1 | 12/2003 | Fecteau et al. | |
| 2004/0032120 | A1 | 2/2004 | Vaisanen et al. | |
| 2004/0035623 | A1 | 2/2004 | Fecteau et al. | |
| 2004/0035624 | A1 | 2/2004 | Fecteau et al. | |
| 2004/0035625 | A1 | 2/2004 | Talbot et al. | |

| | | | | |
|--------------|------|---------|-----------------|-------------|
| 2004/0035626 | A1 | 2/2004 | Girouard et al. | |
| 2004/0129473 | A1 | 7/2004 | Talbot et al. | |
| 2004/0129483 | A1 | 7/2004 | Girouard et al. | |
| 2004/0140140 | A1 | 7/2004 | Guay et al. | |
| 2005/0039967 | A1 | 2/2005 | Aube et al. | |
| 2007/0075514 | A1 * | 4/2007 | Saiki | 280/124.103 |
| 2007/0256882 | A1 * | 11/2007 | Bedard et al. | 180/312 |

OTHER PUBLICATIONS

French Design Application No. 02506, published Feb. 14, 2003 (the certified document is filed in parent U.S. Appl. No. 29/279,940).
Fig 18 of U.S. Appl. No. 29/156,028, now U.S. Design No. D485,788 (figure cancelled during prosecution).

* cited by examiner

Primary Examiner—Cathron Brooks

Assistant Examiner—Linda Brooks

(74) *Attorney, Agent, or Firm*—Osler, Hoskin & Harcourt LLP

(57) **CLAIM**

The ornamental design for a fender assembly, as shown and described.

DESCRIPTION

FIG. 1 is a front and left side perspective view showing a fender assembly according to a first embodiment of our design;

FIG. 2 is a rear elevation view thereof;

FIG. 3 is a front elevation view thereof;

FIG. 4 is a left side elevation view thereof;

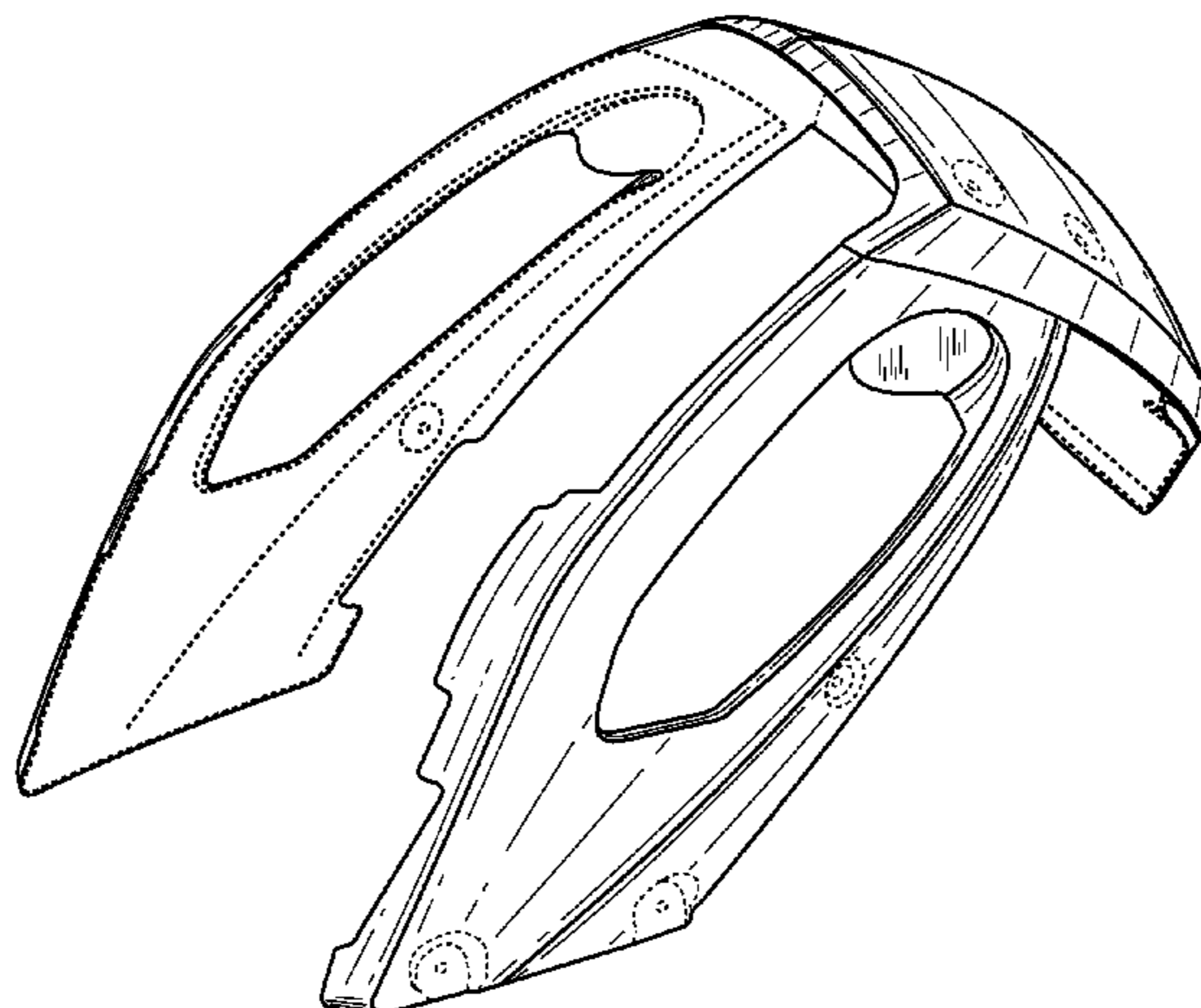
FIG. 5 is a right side elevation view thereof;

FIG. 6 is a top plan view thereof; and,

FIG. 7 is a front and left side perspective view of the fender assembly shown in FIG. 1 shown with an exemplary road vehicle in broken lines.

Throughout the Figures, broken lines showing structure or environment are for illustrative purposes only and form no part of the claimed design. Portions of the article not shown in the drawings, and portions of the article shown in the drawings but not shaded, form no part of the claimed design.

1 Claim, 7 Drawing Sheets



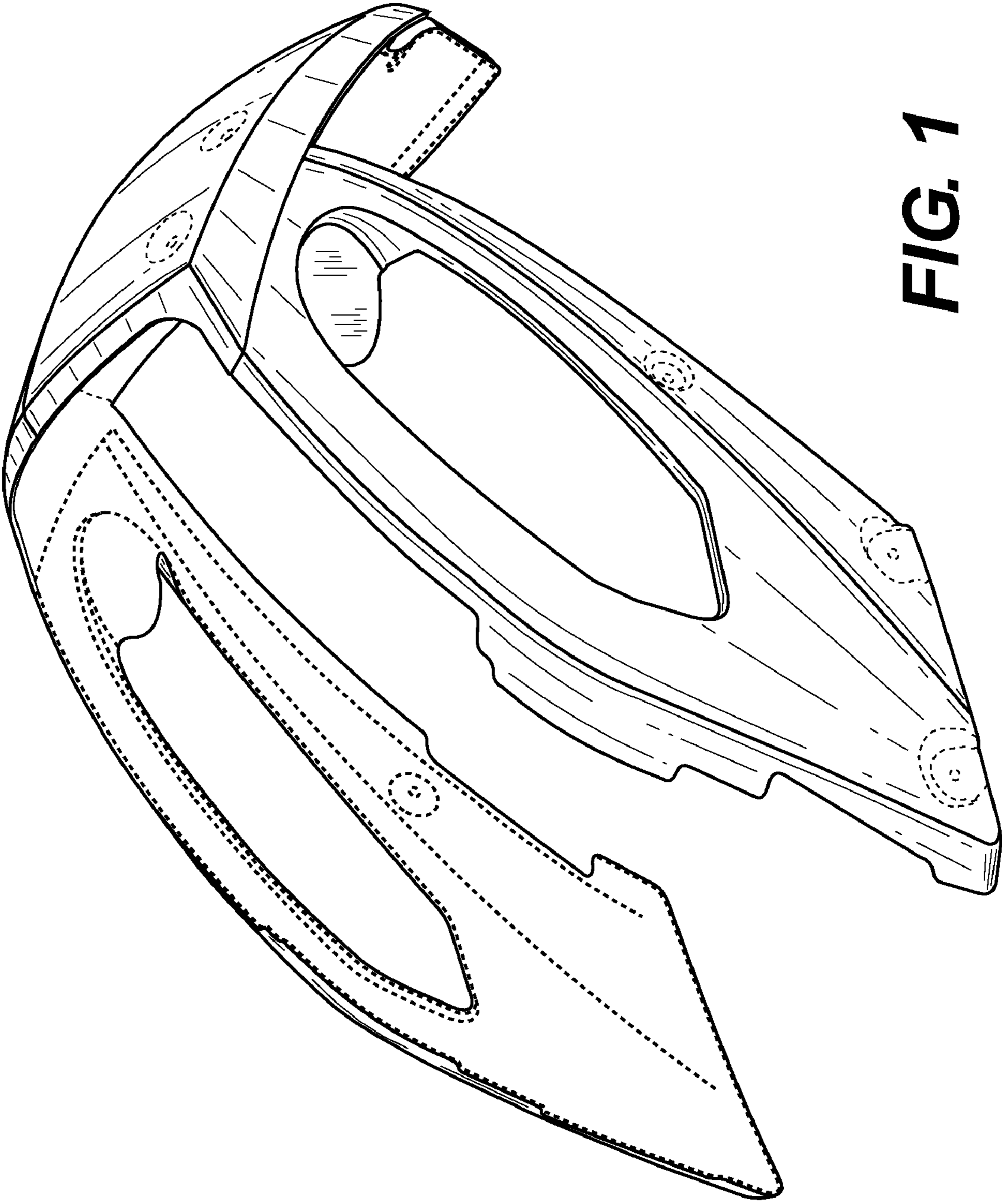


FIG. 1

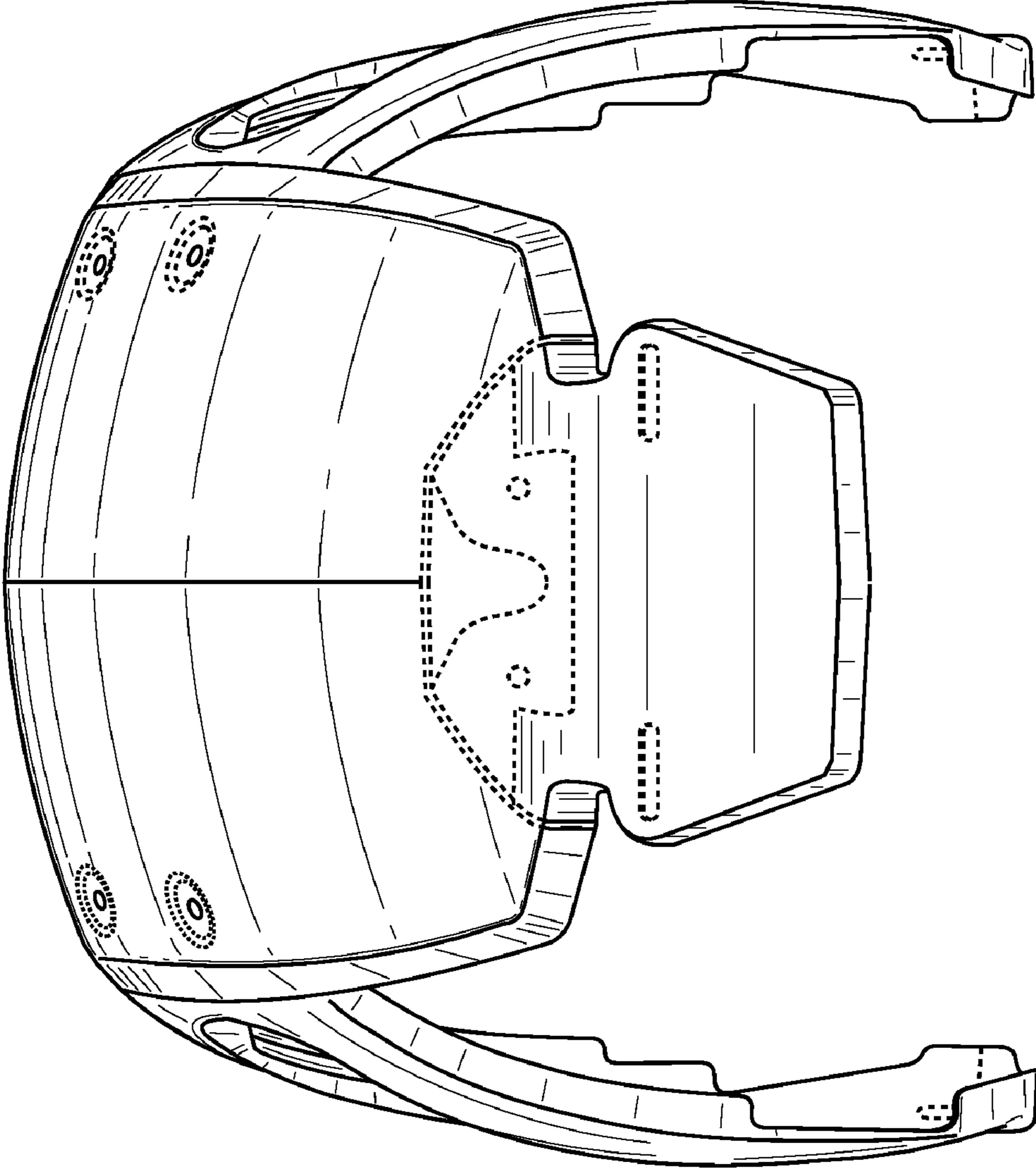


FIG. 2

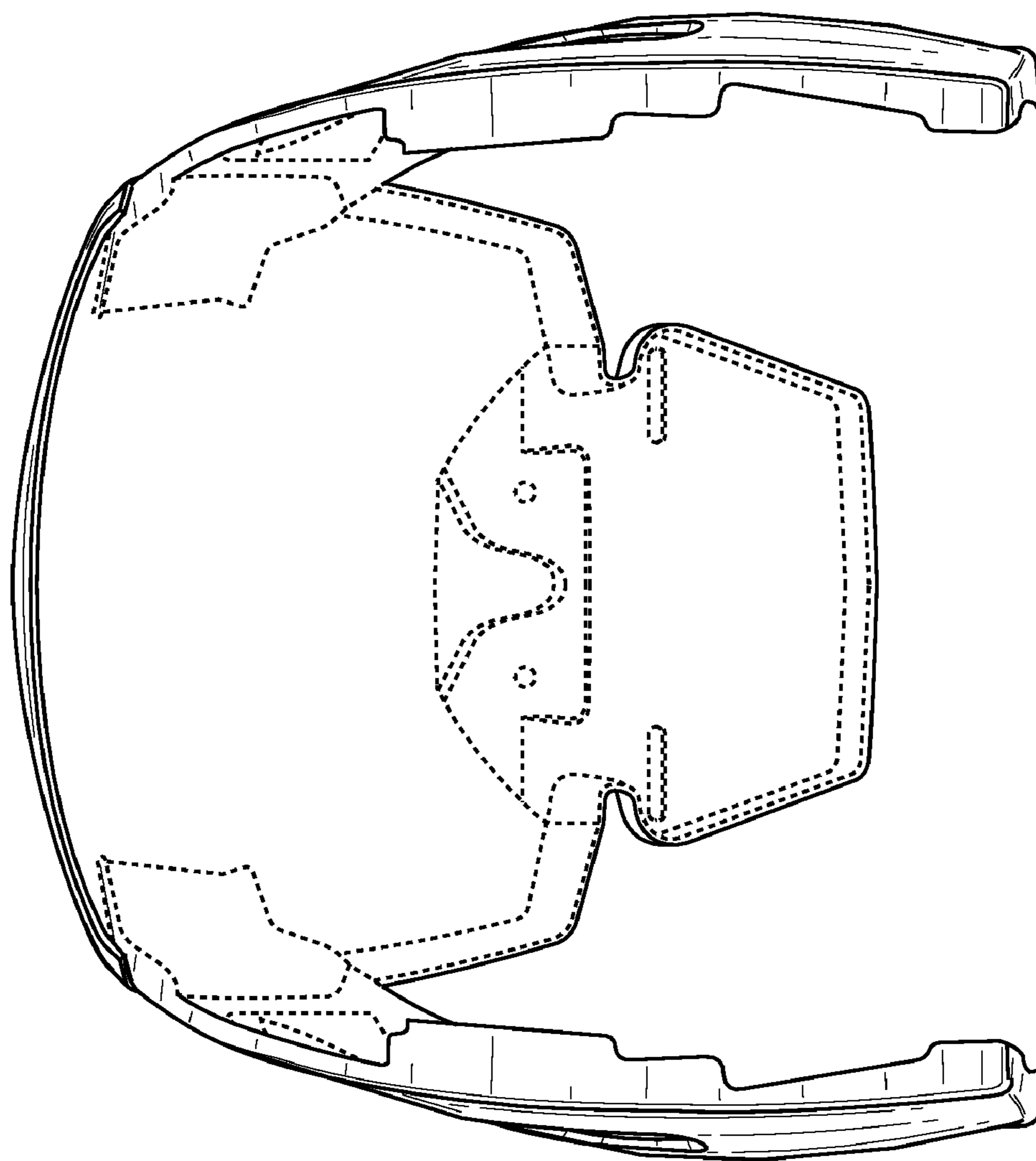


FIG. 3

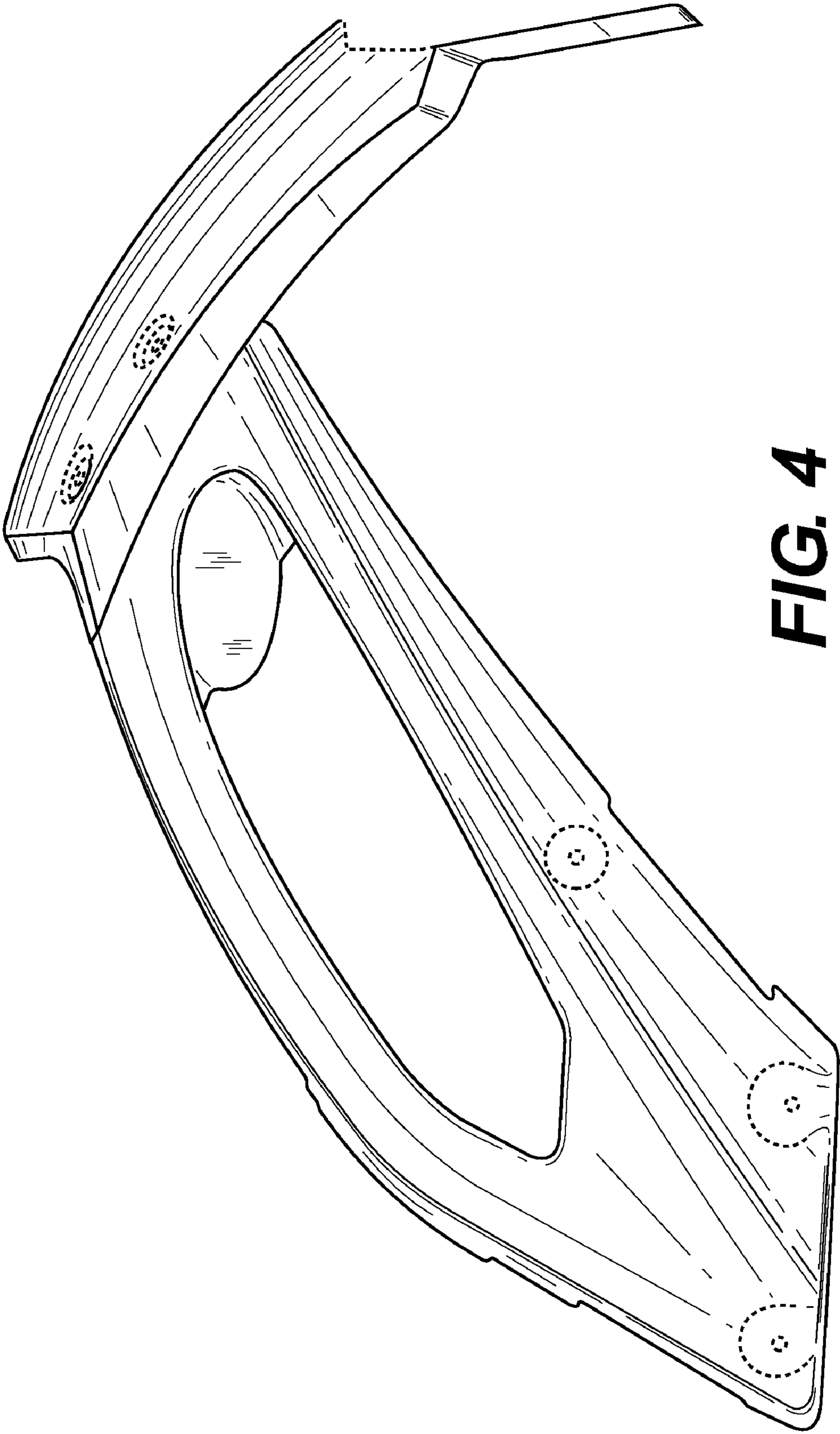


FIG. 4

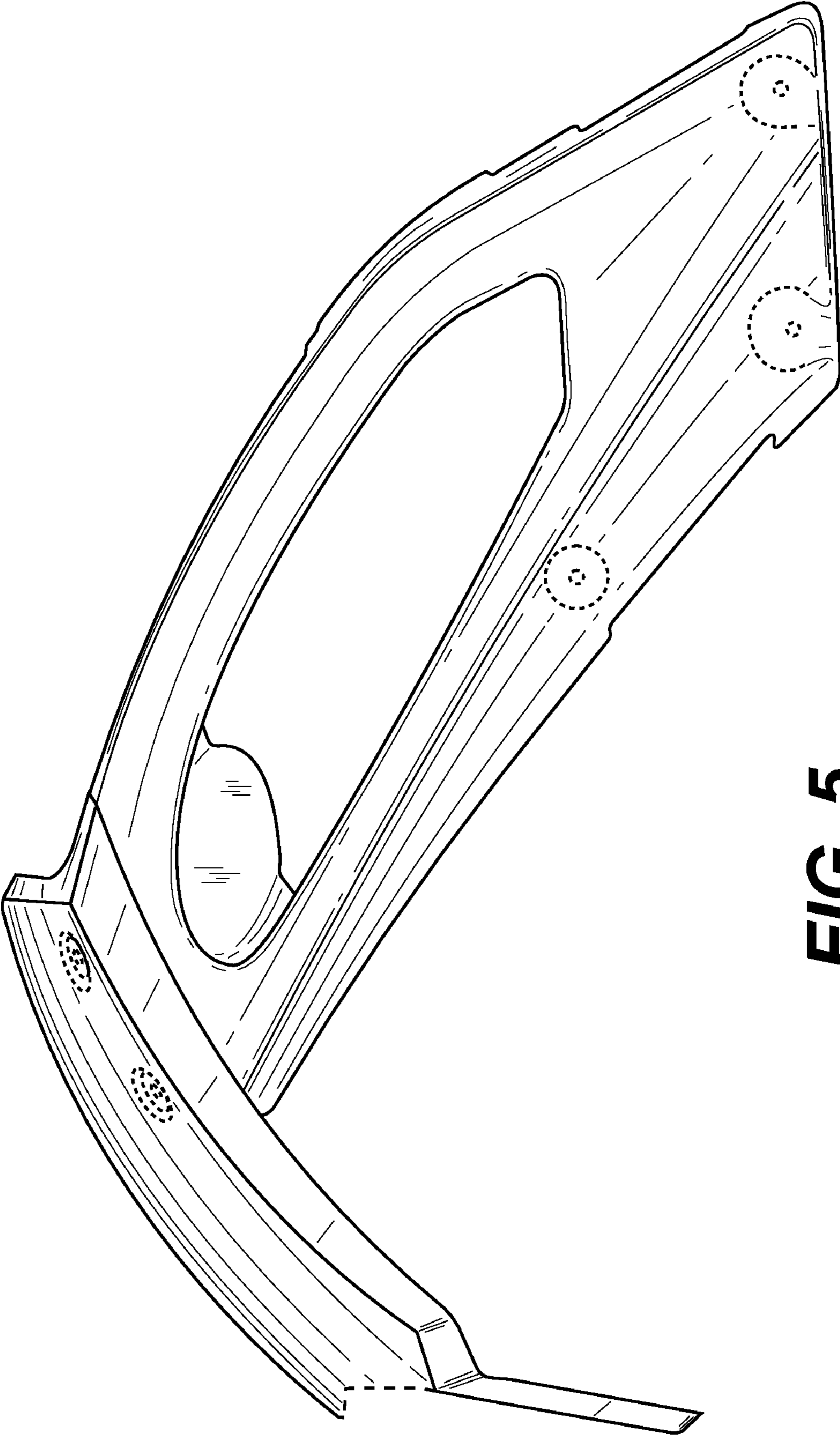


FIG. 5

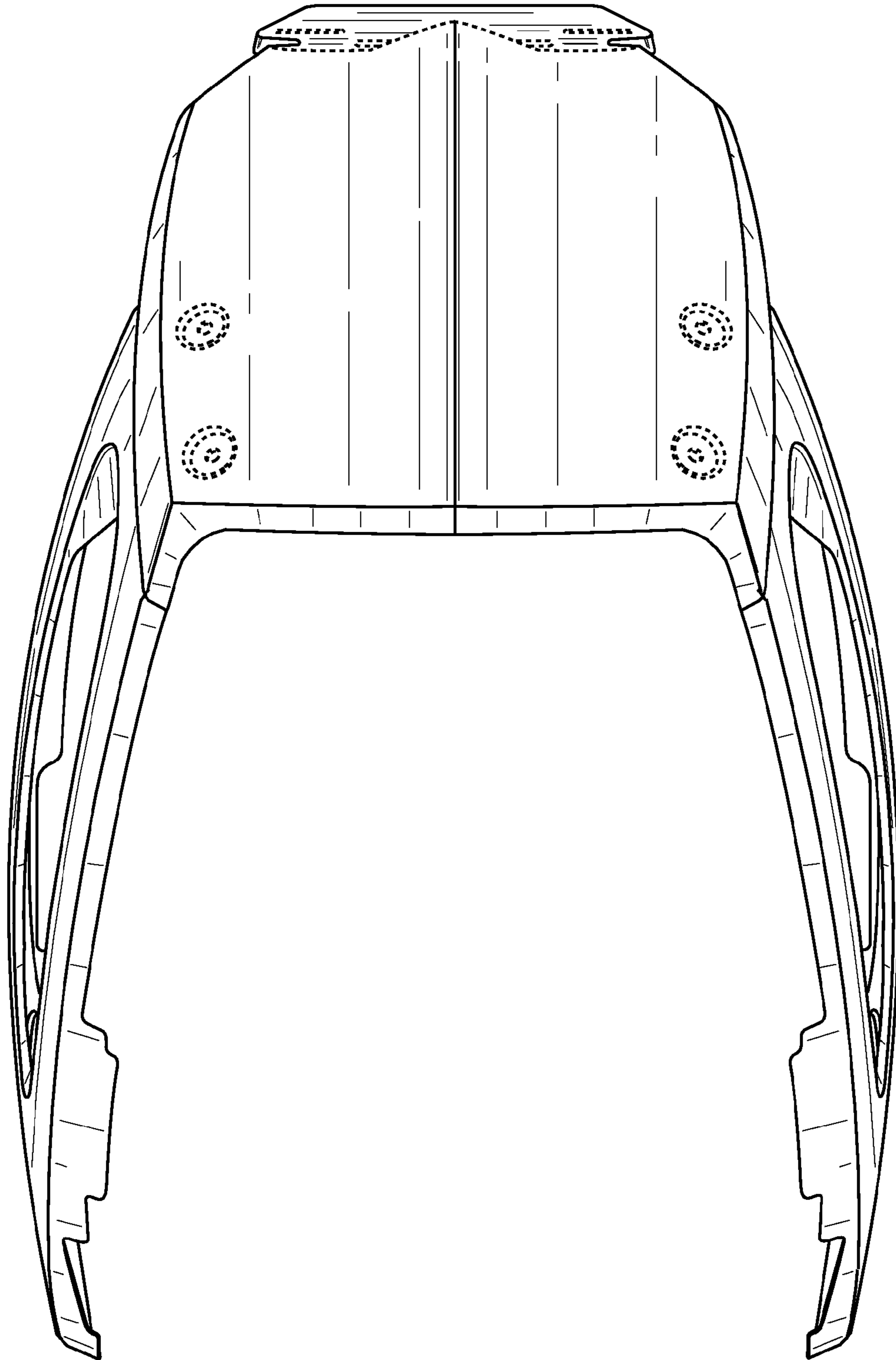


FIG. 6

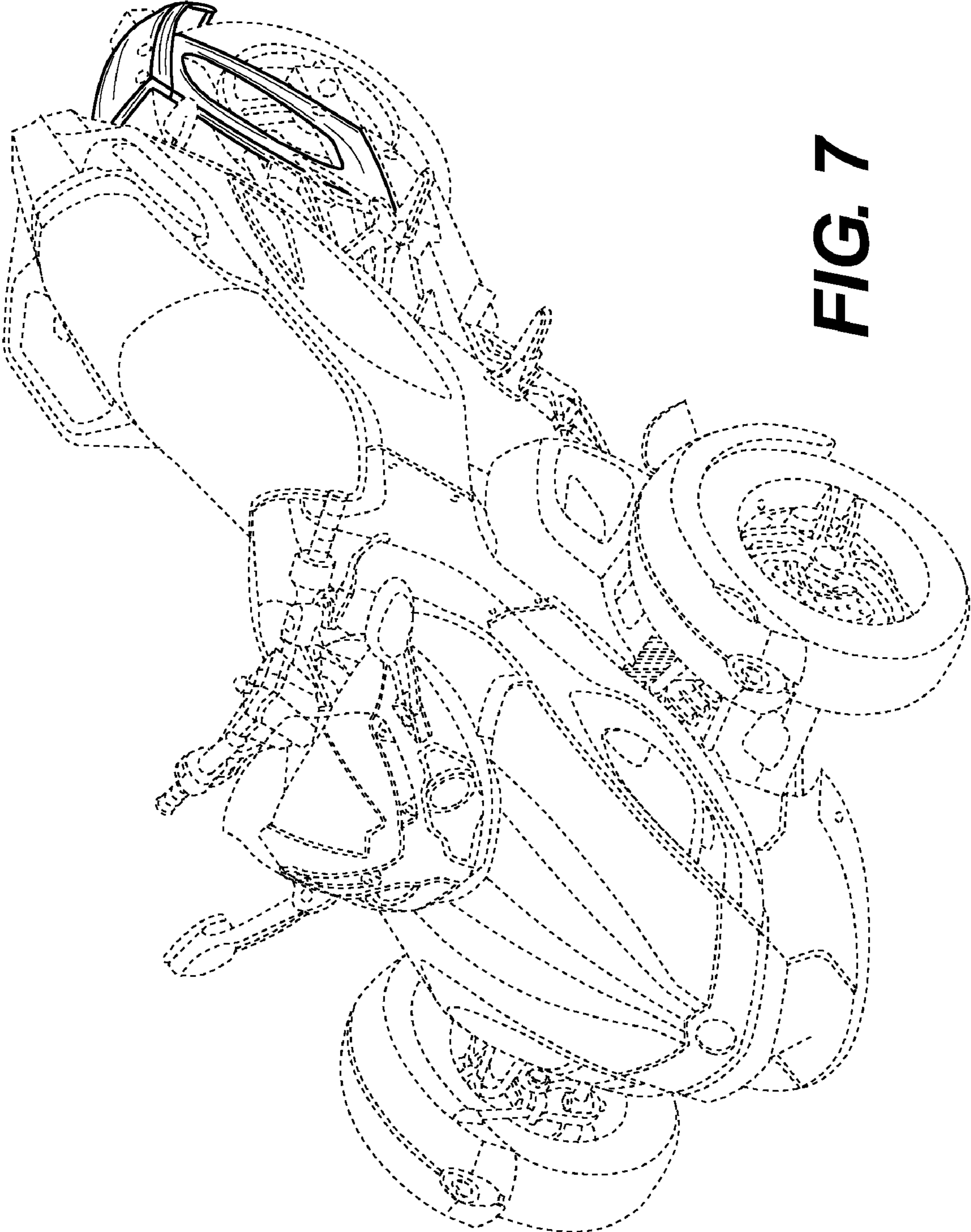


FIG. 7