



US00D581842S

(12) **United States Design Patent**
Skogen

(10) **Patent No.:** **US D581,842 S**
(45) **Date of Patent:** **** Dec. 2, 2008**

(54) **ALTERNATING LIGHT TRAILER HITCH COVER**

(76) Inventor: **Todd W. Skogen**, 2101 Iroquois La., Yorkville, IL (US) 60560

(**) Term: **14 Years**

(21) Appl. No.: **29/275,706**

(22) Filed: **Jan. 4, 2007**

(51) **LOC (8) Cl.** **12-16**

(52) **U.S. Cl.** **D12/162**

(58) **Field of Classification Search** D12/400,
D12/199, 162, 161, 106; 280/511, 512, 513,
280/482, 405.2, 407, 407.1, 416.2, 455.1,
280/491.5, 186; 182/1, 23, 26, 33.3, 33.4,
182/33.5, 54, 89, 90, 120, 132, 173

See application file for complete search history.

(56) **References Cited**

U.S. PATENT DOCUMENTS

D442,527 S *	5/2001	Krewald	D12/162
D478,935 S *	8/2003	Gearhart et al.	D12/162
D479,819 S *	9/2003	Arehart et al.	D12/162
D484,076 S *	12/2003	O'Malley	D12/162
D506,711 S *	6/2005	Ruiz et al.	D12/162

* cited by examiner

Primary Examiner—Louis S Zarfaz

Assistant Examiner—Michael A Pratt

(74) *Attorney, Agent, or Firm*—Mathew R. P. Perrone, Jr.; Brie A. Crawford

(57) **CLAIM**

The ornamental design for the alternating light trailer hitch cover, as shown and described.

DESCRIPTION

FIG. 1 is a perspective view of the alternating light trailer hitch cover of my invention fitting into a broken line showing of a vehicle and hitch mount. The broken line showing of a vehicle and hitch mount is included for the purpose of illustrating environment and forms no part of the claimed design;

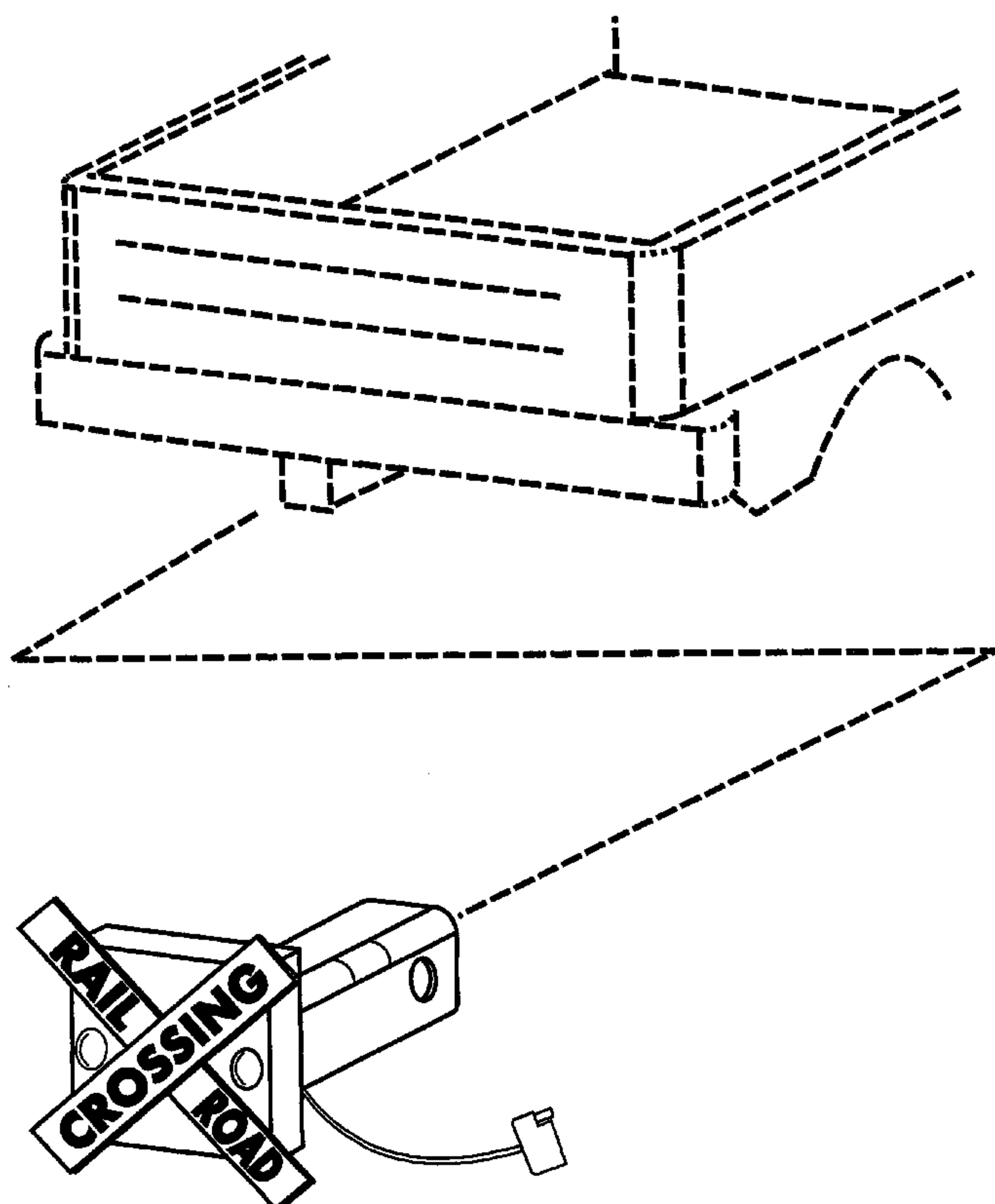
FIG. 2 is a perspective view of the alternating light trailer hitch cover of my invention, with no lights illuminated;

FIG. 3 is a perspective view of the alternating light trailer hitch cover of my invention, with only the left light illuminated as shown by the darkened circle;

FIG. 4 is a perspective view of the alternating light trailer hitch cover of my invention, with only the right light illuminated as shown by the darkened circle; and,

FIG. 5 is a perspective view of the alternating light trailer hitch cover of my invention, as a reverse view based on FIG. 2.

1 Claim, 5 Drawing Sheets



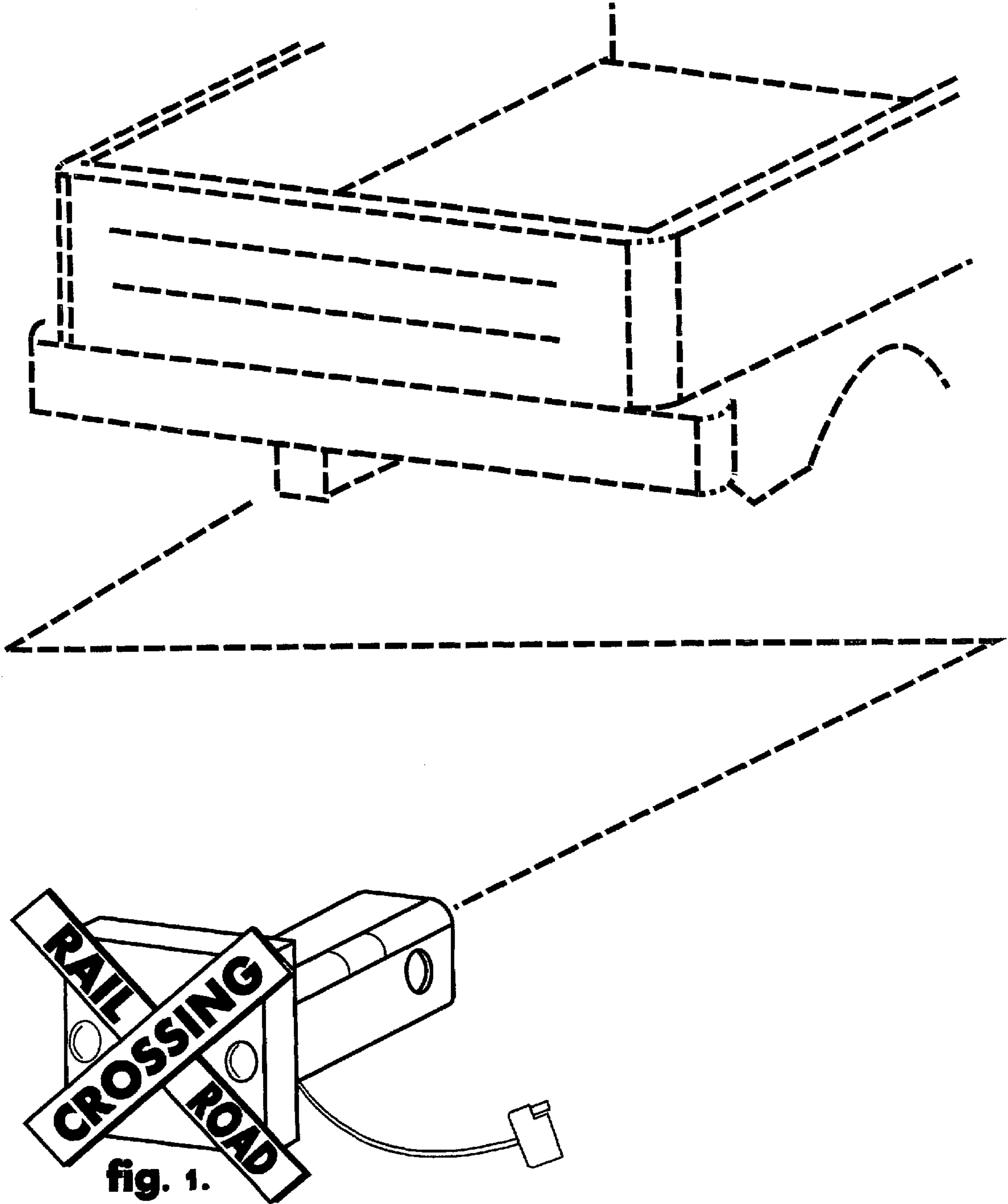


fig. 1.

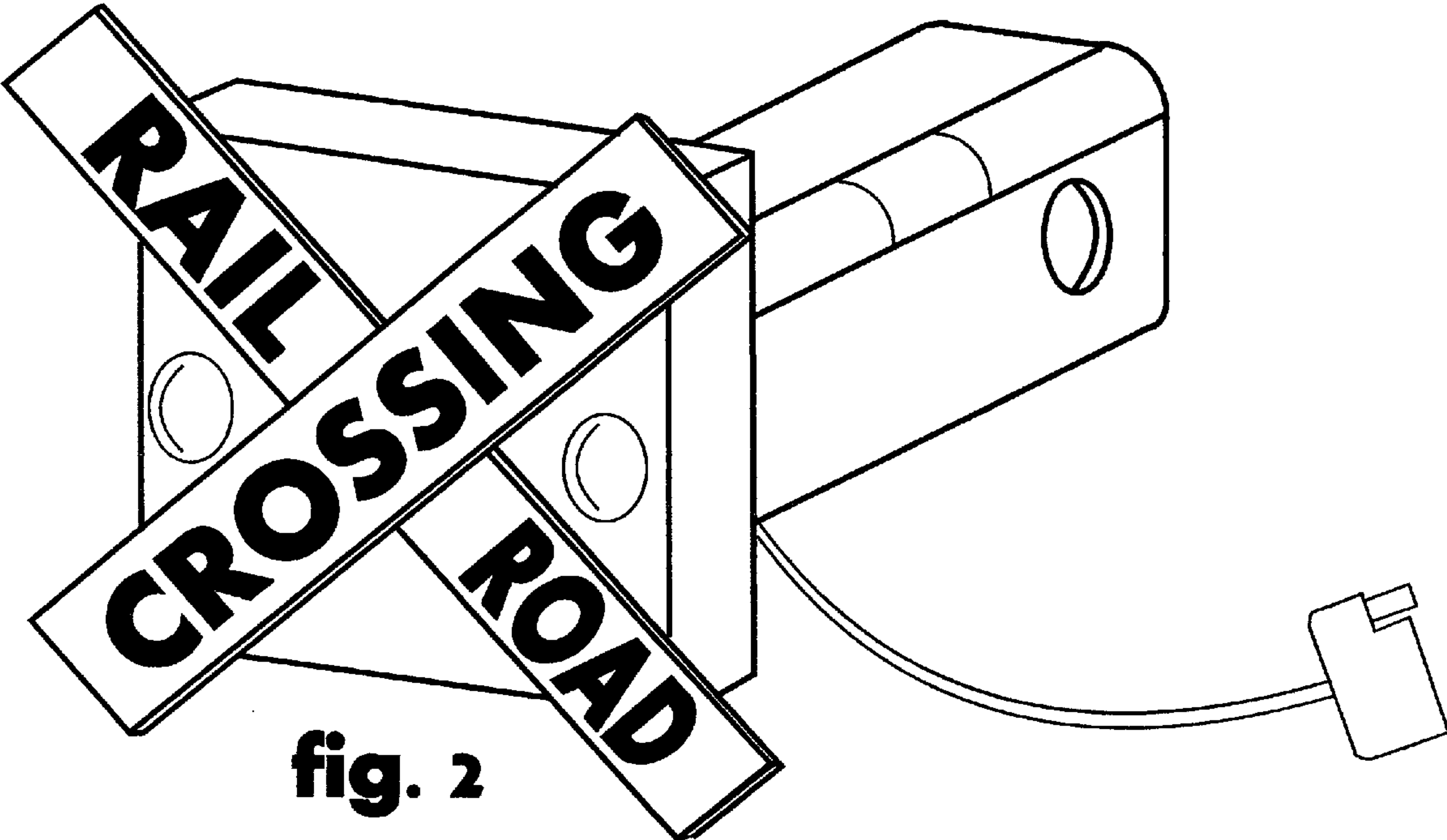


fig. 2

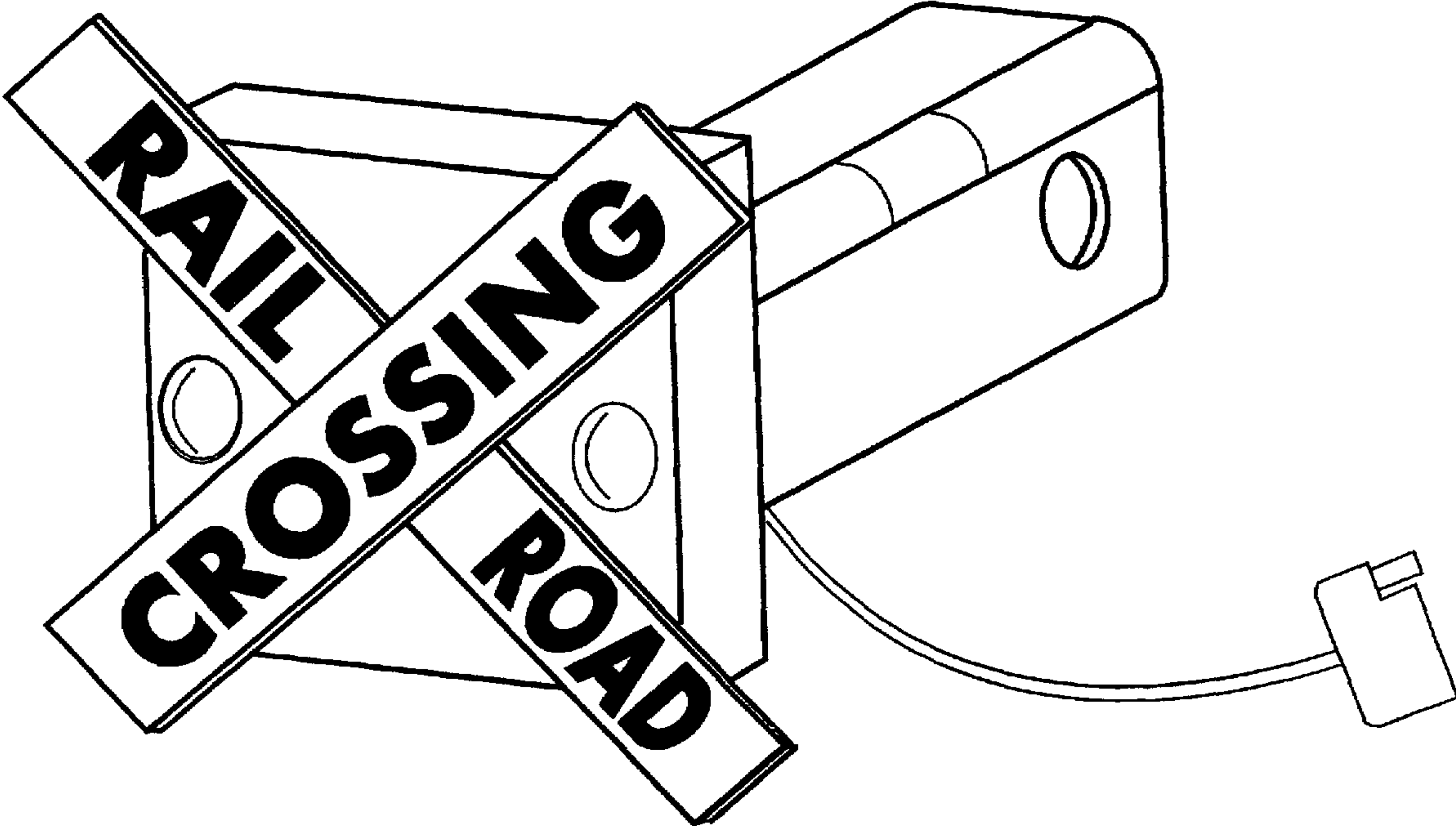


fig. 3.

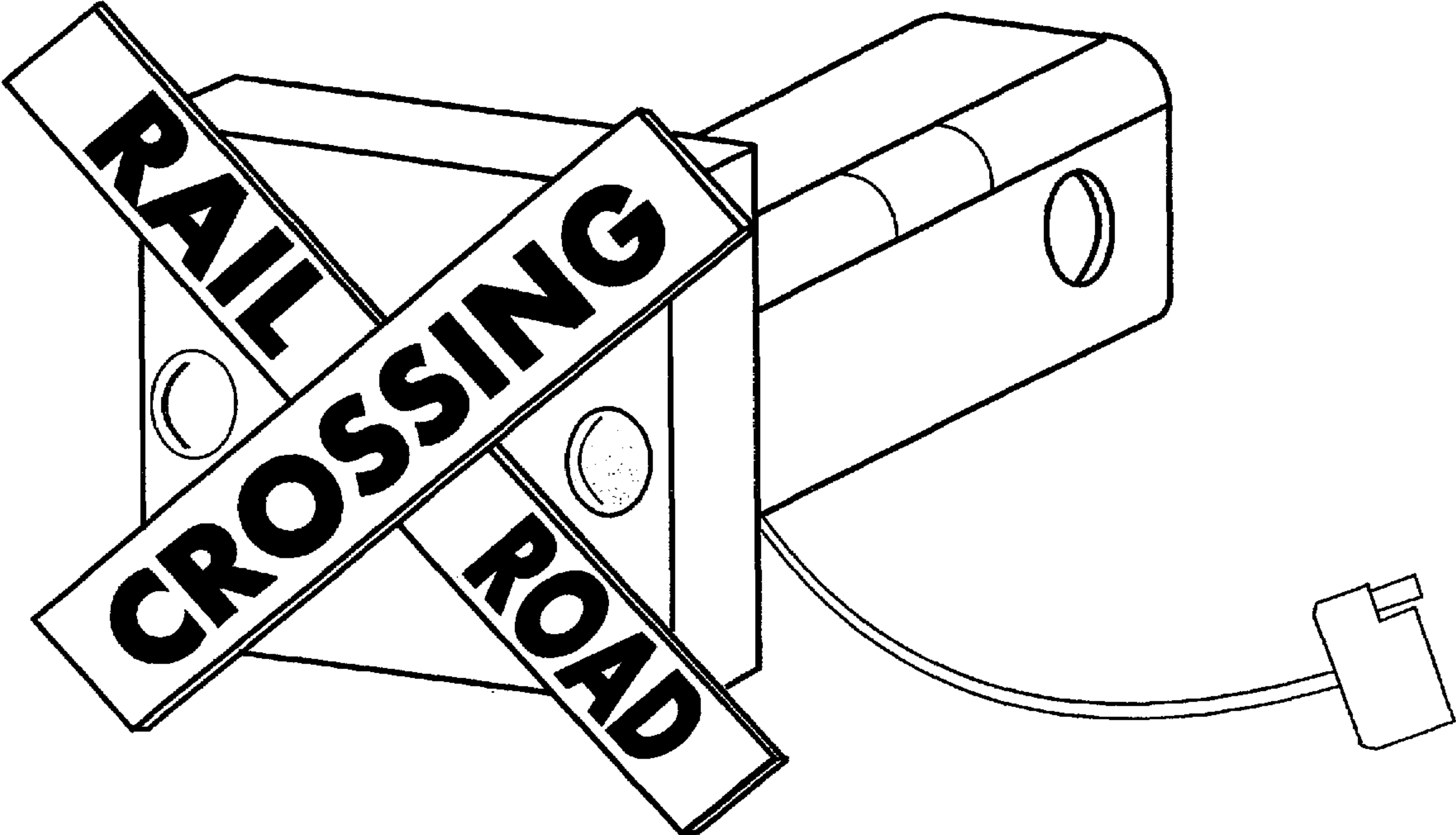


fig. 4.

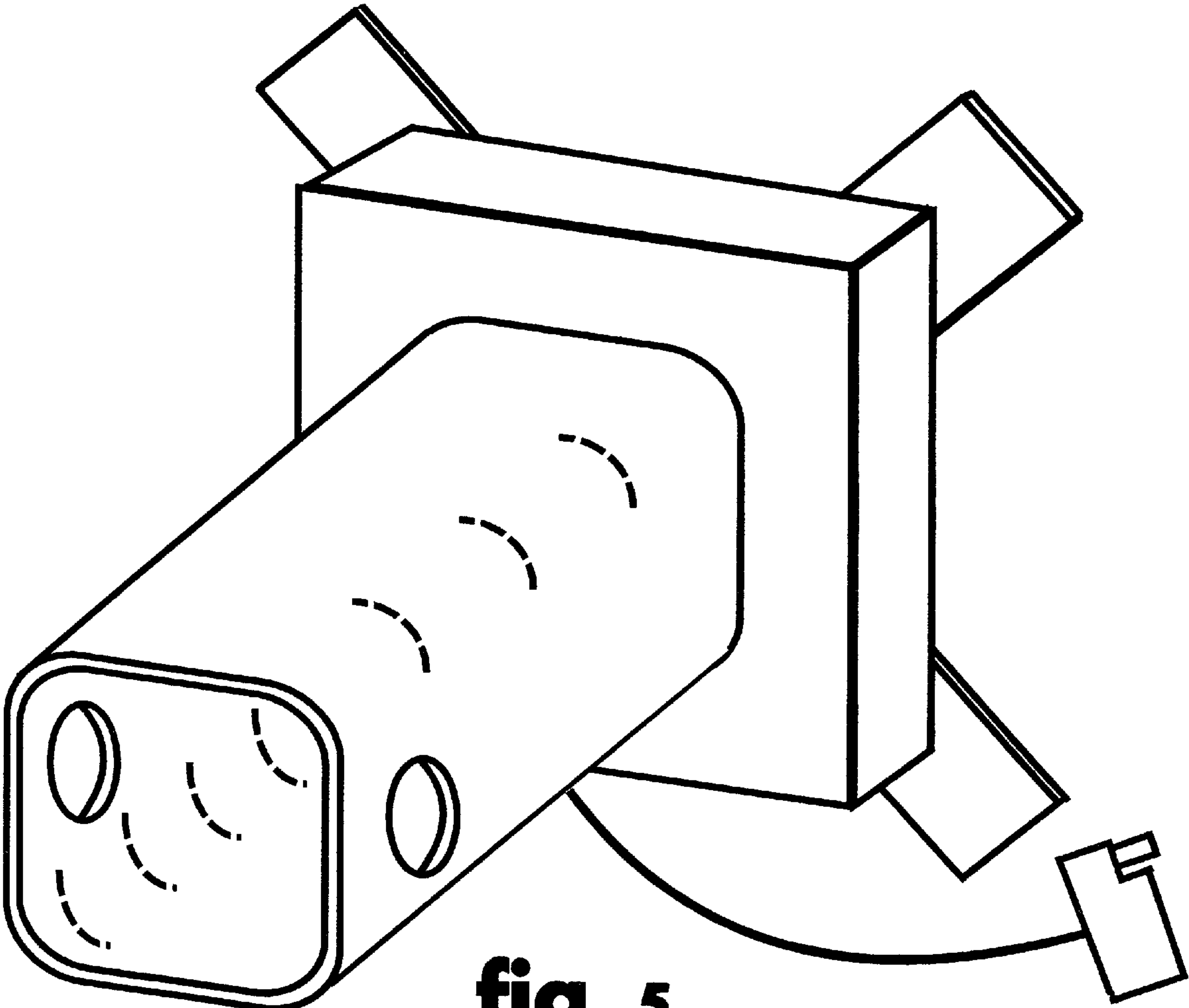


fig. 5.