



US00D581840S

(12) **United States Design Patent**
Ichihara et al.

(10) **Patent No.:** **US D581,840 S**
(45) **Date of Patent:** **** Dec. 2, 2008**

(54) **MOTORCYCLE**

D387,017 S * 12/1997 Wakita et al. D12/110
D482,639 S * 11/2003 Yamamoto et al. D12/110
D523,783 S * 6/2006 Sugimoto D12/110

(75) Inventors: **Fumio Ichihara**, Hyogo (JP); **Shunji Tanaka**, Kobe (JP)

* cited by examiner

(73) Assignee: **Kawasaki Jukogyo Kabushiki Kaisha**, Hyogo (JP)

Primary Examiner—Cathron Brooks
Assistant Examiner—Linda Brooks

(**) Term: **14 Years**

(57) **CLAIM**

(21) Appl. No.: **29/304,942**

The ornamental design for a motorcycle, as shown and described.

(22) Filed: **Mar. 11, 2008**

(30) **Foreign Application Priority Data**

DESCRIPTION

Sep. 12, 2007 (JP) 2007-024787

FIG. 1 is a front elevational view of a motorcycle showing our new design;

(51) **LOC (8) Cl.** **12-11**

FIG. 2 is a rear elevational view thereof;

(52) **U.S. Cl.** **D12/110**

FIG. 3 is a left side elevational view thereof;

(58) **Field of Classification Search** D12/110;
180/219, 220, 225, 229

FIG. 4 is a right side elevational view thereof;

See application file for complete search history.

FIG. 5 is a top plan view thereof;

FIG. 6 is a bottom plan view thereof;

(56) **References Cited**

FIG. 7 is a front perspective view thereof; and,

FIG. 8 is a rear perspective view thereof.

U.S. PATENT DOCUMENTS

D312,807 S * 12/1990 Kohama et al. D12/110

D385,226 S * 10/1997 Mogi et al. D12/110

1 Claim, 8 Drawing Sheets

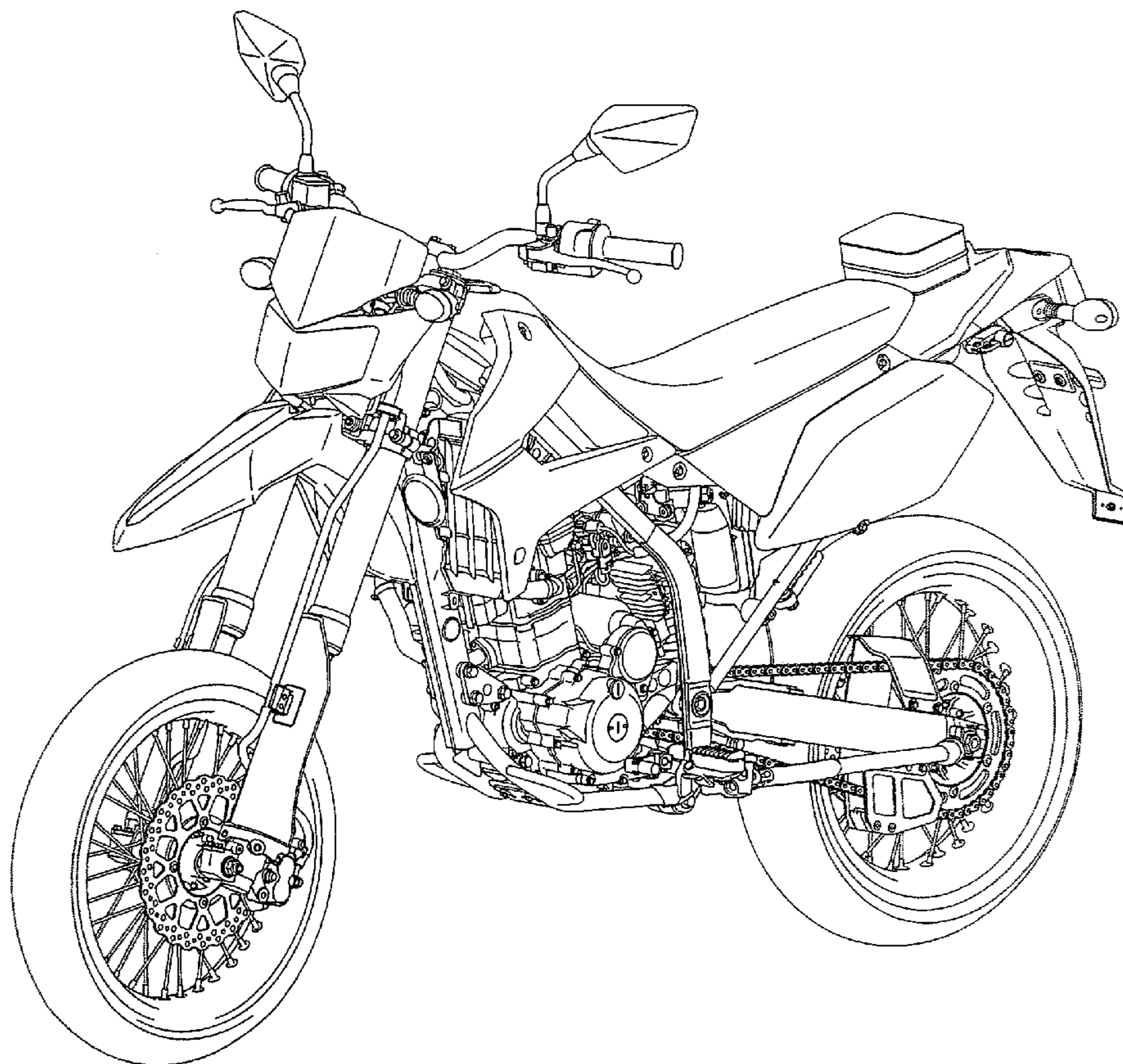


Fig.1

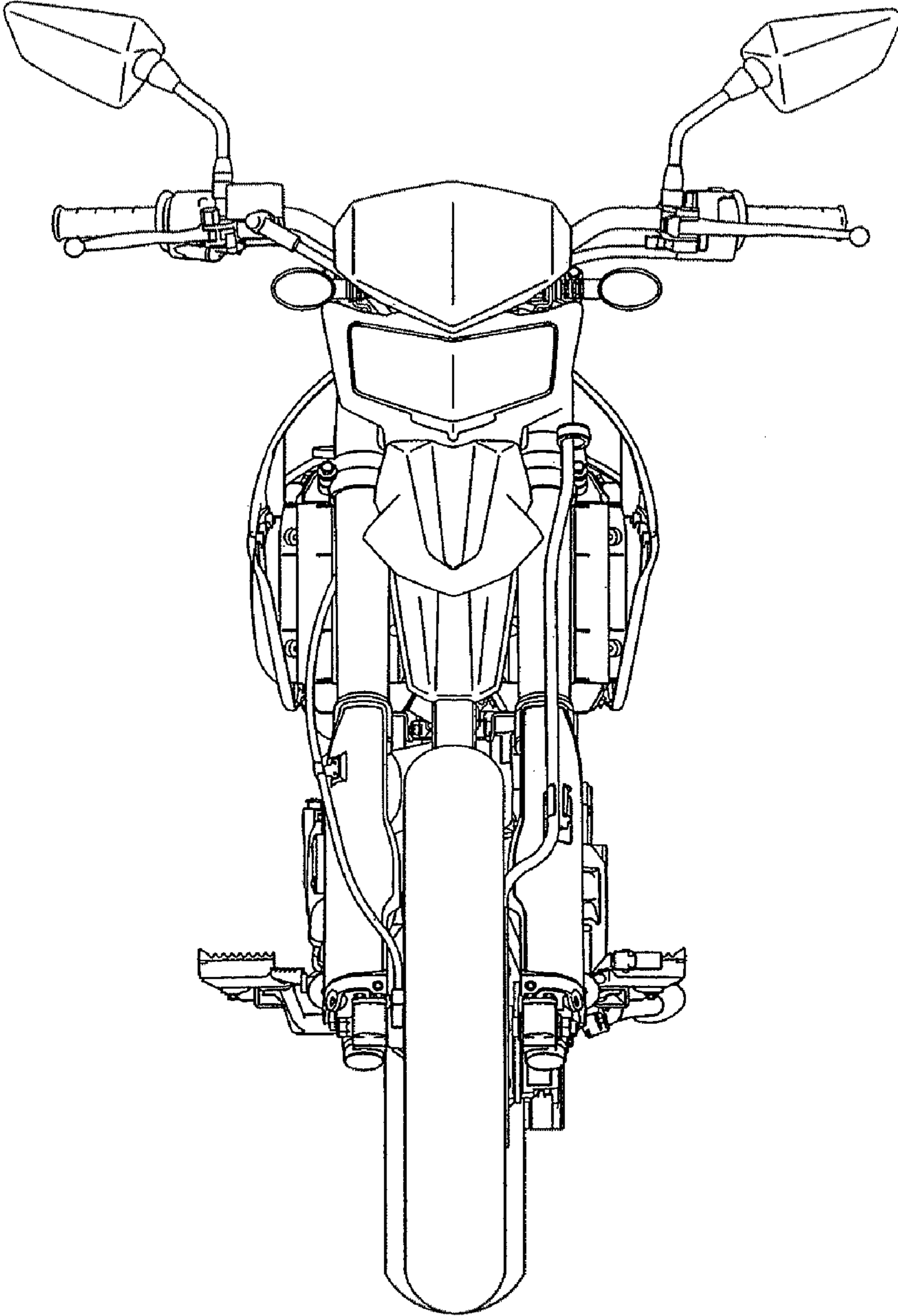
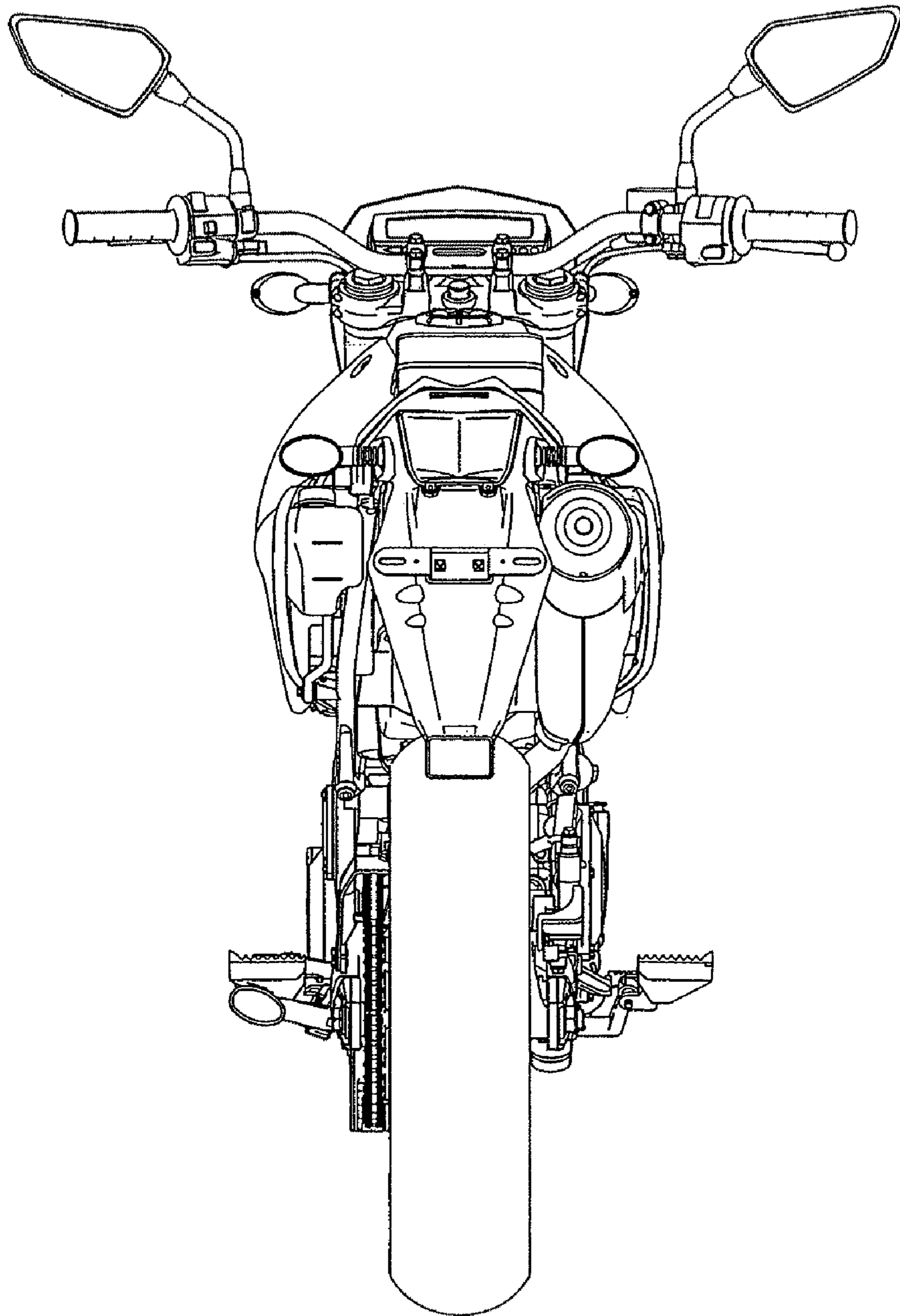


Fig.2



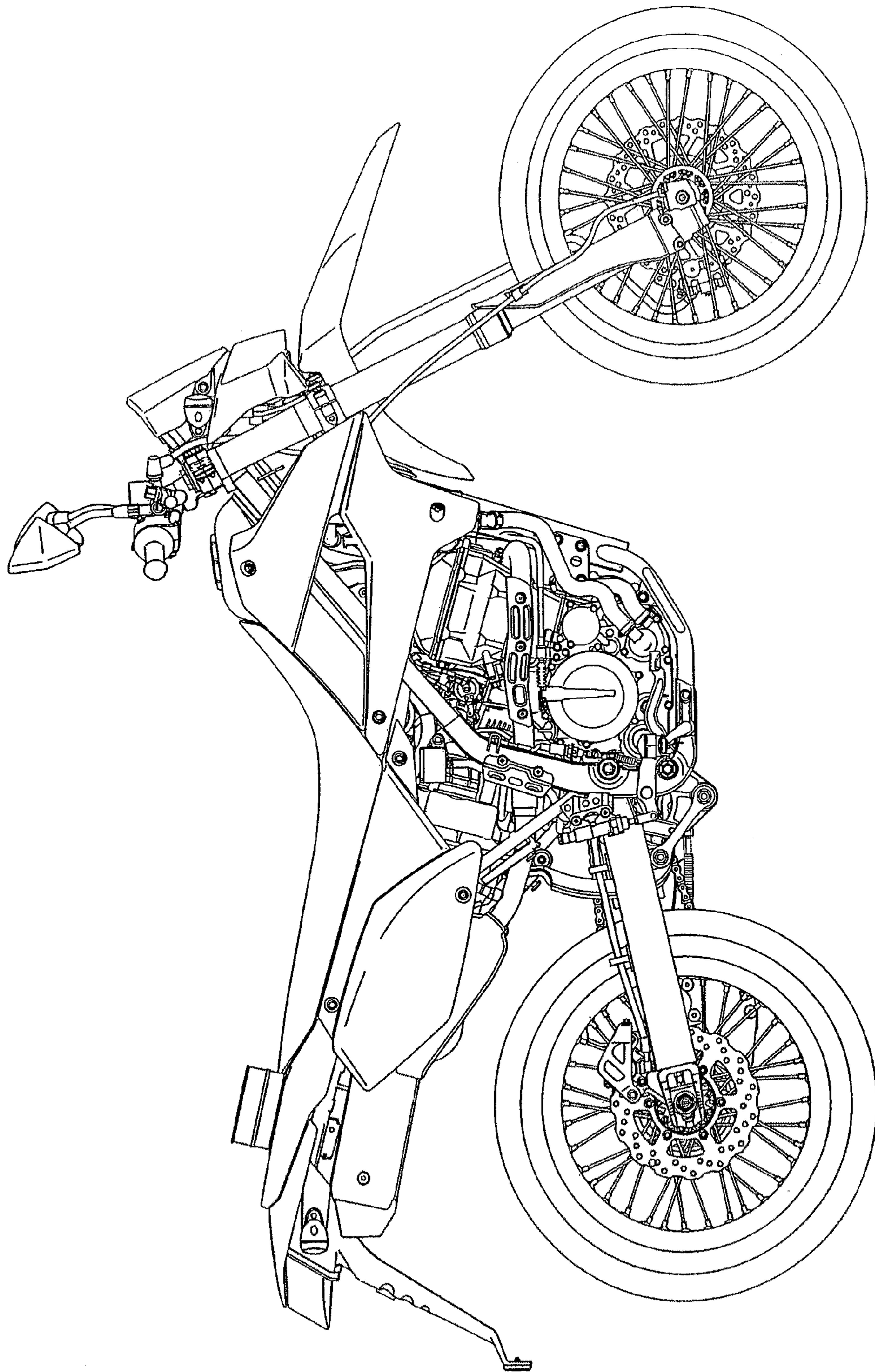


Fig. 3

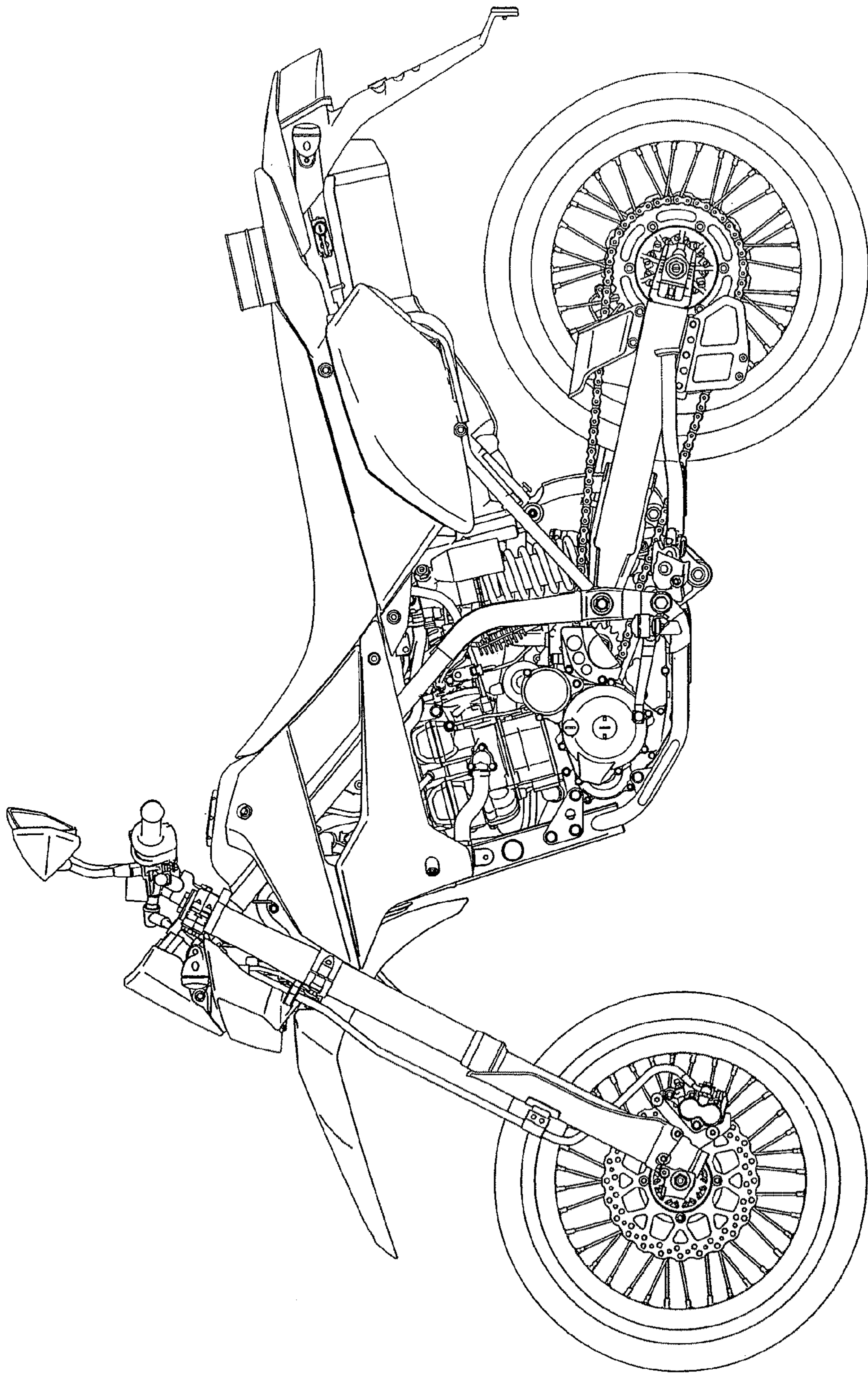


Fig. 4

Fig. 5

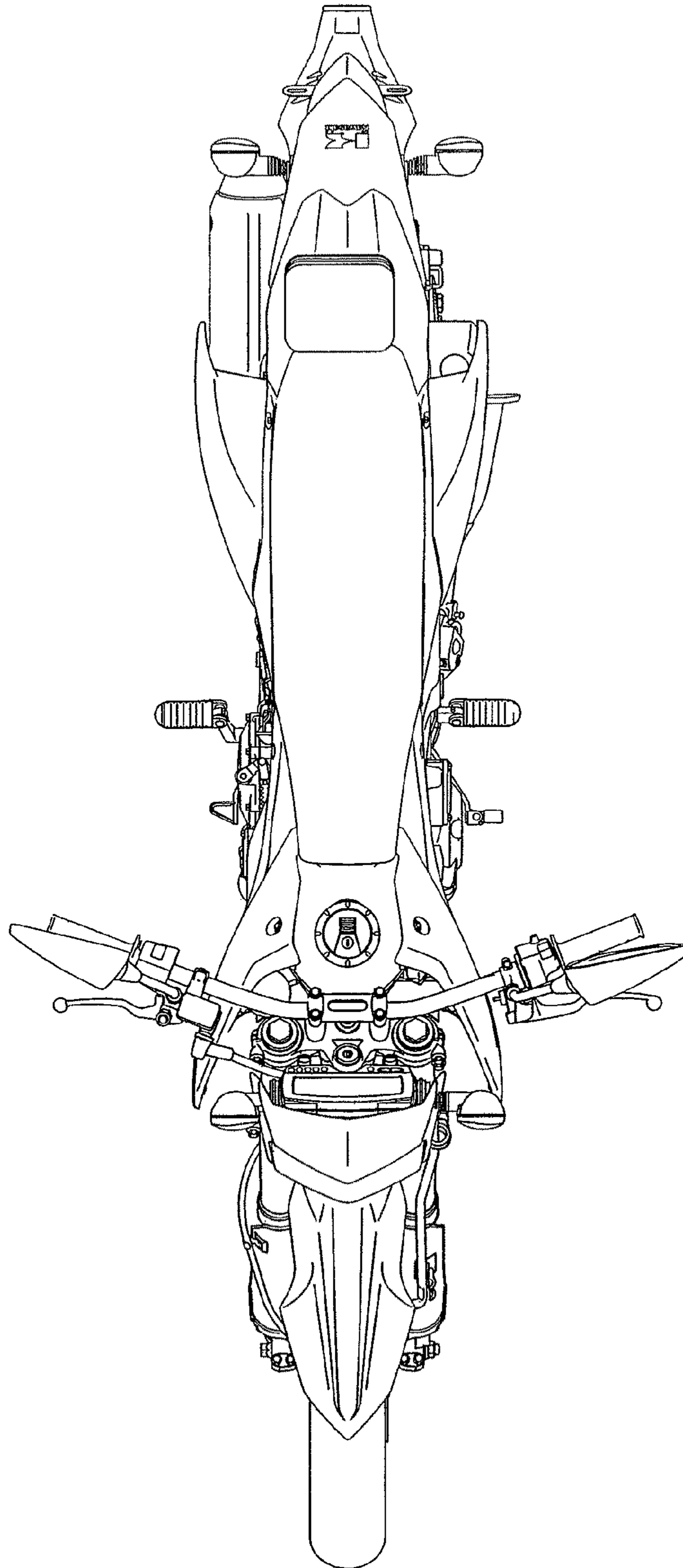
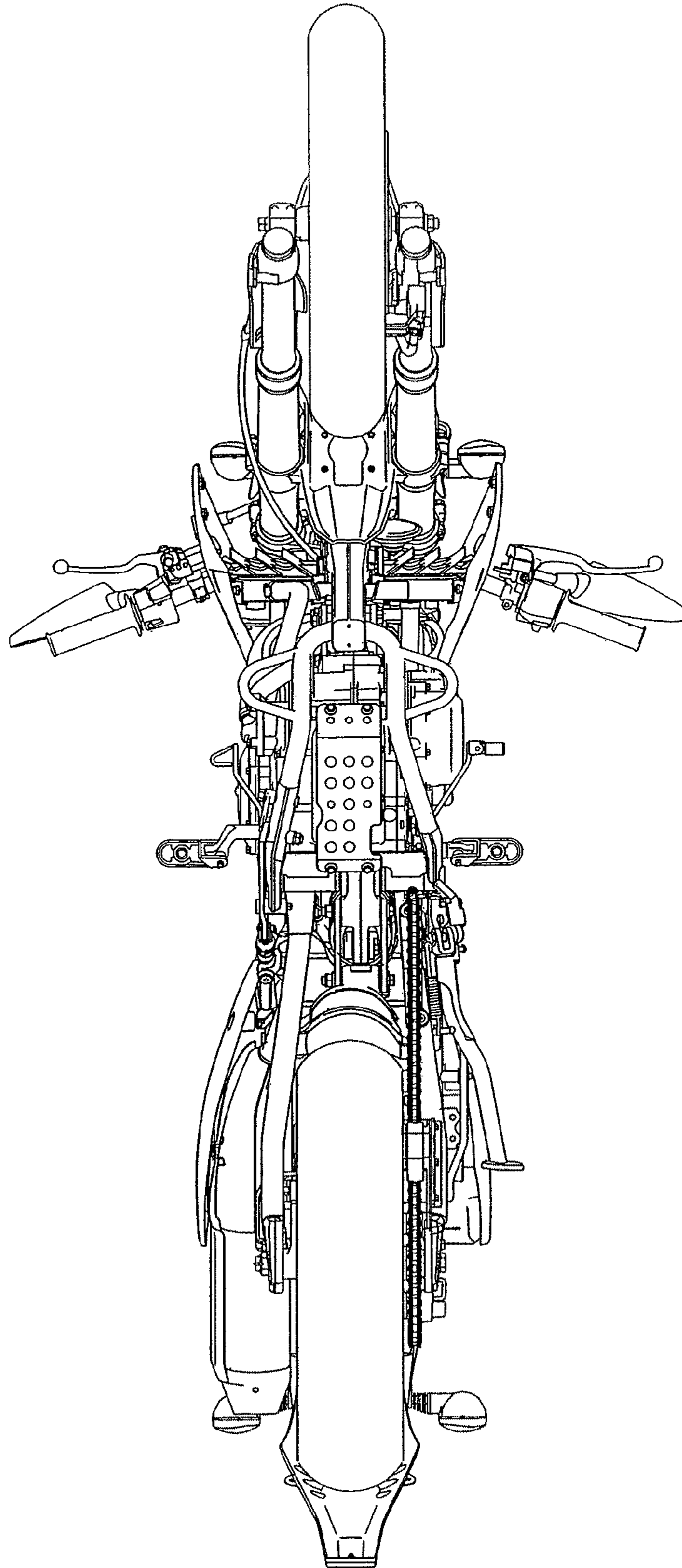


Fig.6



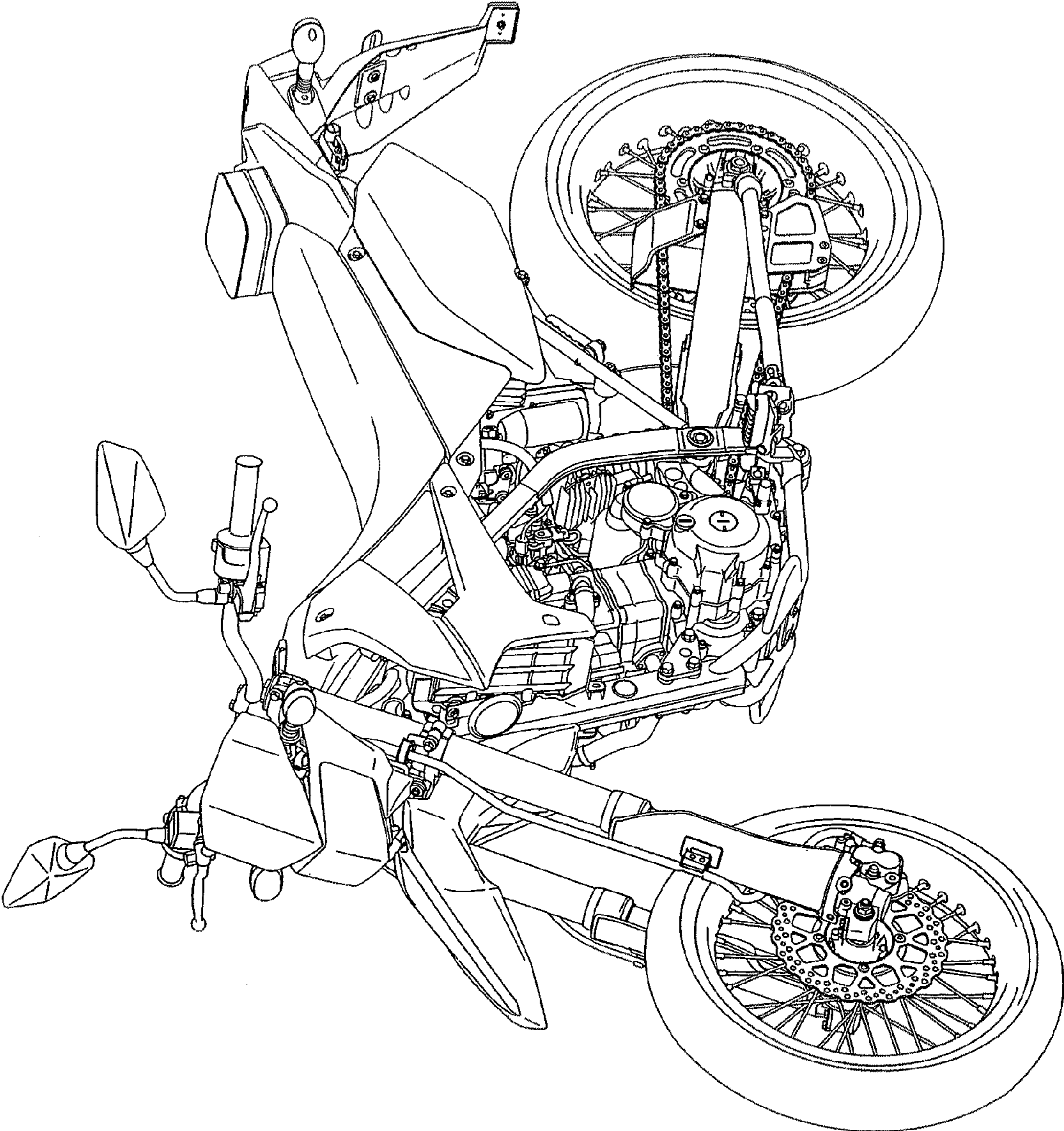


Fig. 7

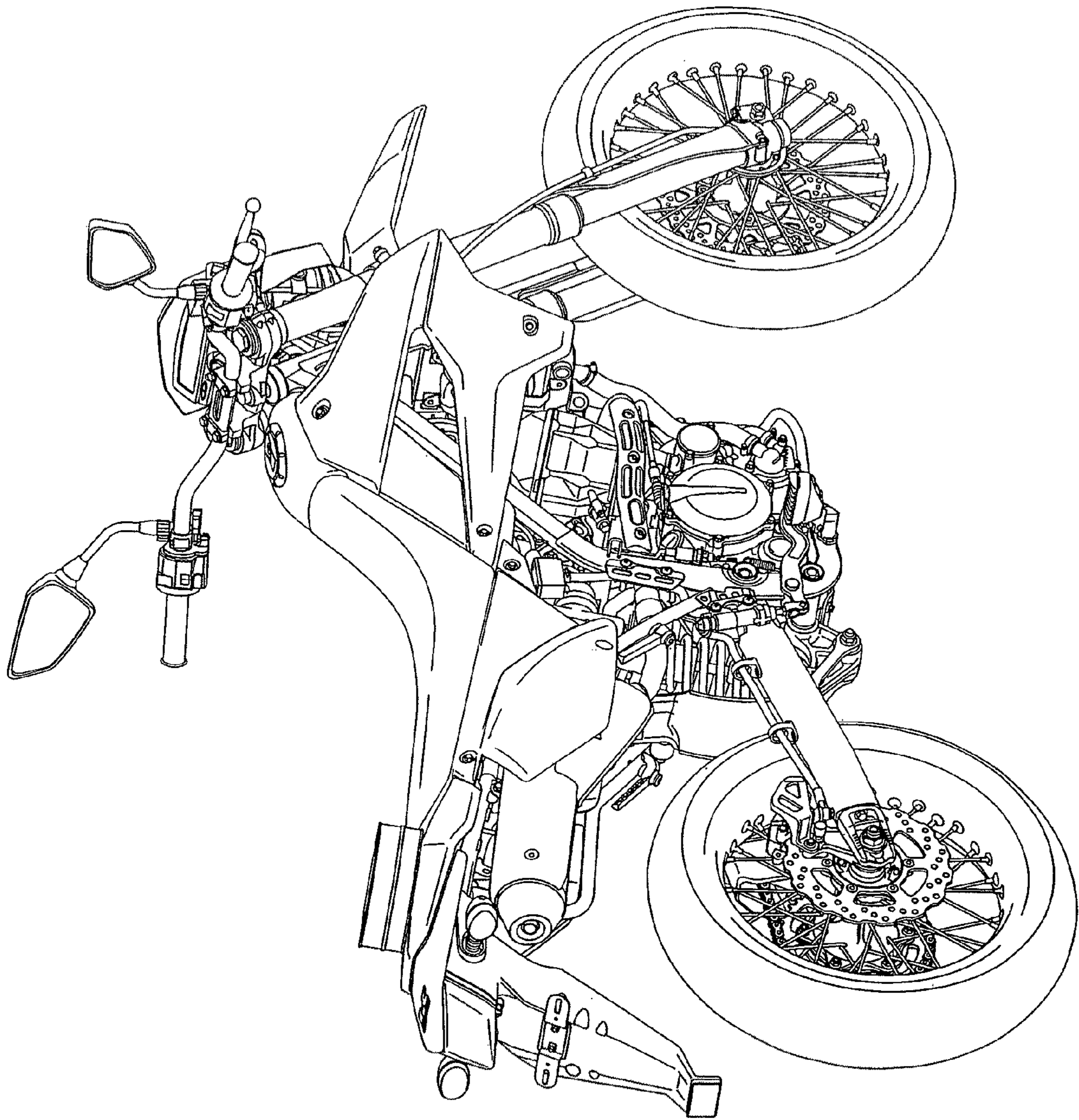


Fig.8