



US00D581837S

(12) **United States Design Patent**
Petit et al.

(10) **Patent No.:** **US D581,837 S**
(45) **Date of Patent:** **** Dec. 2, 2008**

(54) **SNOWMOBILE ACCESS PANEL**

D477,248 S 7/2003 Cadotte et al.
D478,297 S 8/2003 Cadotte et al.
D478,532 S 8/2003 Crepeau et al.
D479,490 S 9/2003 Cadotte et al.
D479,696 S 9/2003 Cadotte et al.

(75) Inventors: **Philippe Petit**, Orford (CA); **Christian Lepine**, Sherbrooke (CA); **Pierre Vignau**, Montreal (CA)

(73) Assignee: **BRP Finland Oy**, Rovaniemi (FI)

(**) Term: **14 Years**

(Continued)

(21) Appl. No.: **29/303,033**

OTHER PUBLICATIONS

(22) Filed: **Jan. 30, 2008**

U.S. Appl. No. 29/303,029, filed Jan. 30, 2008. Title: Snowmobile.

(51) **LOC (8) Cl.** **12-14**

(Continued)

(52) **U.S. Cl.** **D12/7**

(58) **Field of Classification Search** D12/7,
D12/110, 111, 9, 112, 307, 400, 86, 85, 88;
D21/533; 180/182, 190, 184-186, 9.25,
180/180, 219, 193, 194; 280/845; D6/354

Primary Examiner—Robert M. Spear

Assistant Examiner—Ania K Dworzecka

(74) *Attorney, Agent, or Firm*—Osler, Hoskin & Harcourt LLP

See application file for complete search history.

(57)

CLAIM

(56) **References Cited**

The ornamental design for a snowmobile access panel, as shown and described.

U.S. PATENT DOCUMENTS

DESCRIPTION

- D253,883 S 1/1980 Shimasaki
- D264,830 S 6/1982 Ishiyama
- D273,185 S 3/1984 Ishiyama
- D278,892 S 5/1985 Kobayashi
- D314,535 S 2/1991 Matsue
- D319,607 S 9/1991 Lapointe
- D328,575 S 8/1992 Berto
- D334,374 S 3/1993 Hornai
- D342,044 S 12/1993 Hornai
- D342,220 S 12/1993 Hornai
- D346,137 S 4/1994 Hornai
- D389,780 S 1/1998 Komatsu et al.
- D403,272 S 12/1998 Cadotte et al.
- D403,273 S 12/1998 Cadotte et al.
- D438,821 S 3/2001 Cadotte et al.
- D446,166 S 8/2001 Cadotte et al.
- D457,106 S 5/2002 Cadotte et al.
- D457,202 S 5/2002 Baskin et al.
- D466,049 S 11/2002 Cadotte
- D468,547 S 1/2003 Cadotte et al.
- D477,247 S 7/2003 Cadotte et al.

FIG. 1 is a front left perspective view showing a snowmobile access panel according to our design;

FIG. 2 is a top plan view thereof;

FIG. 3 is a bottom plan view thereof;

FIG. 4 is a left side elevation view thereof;

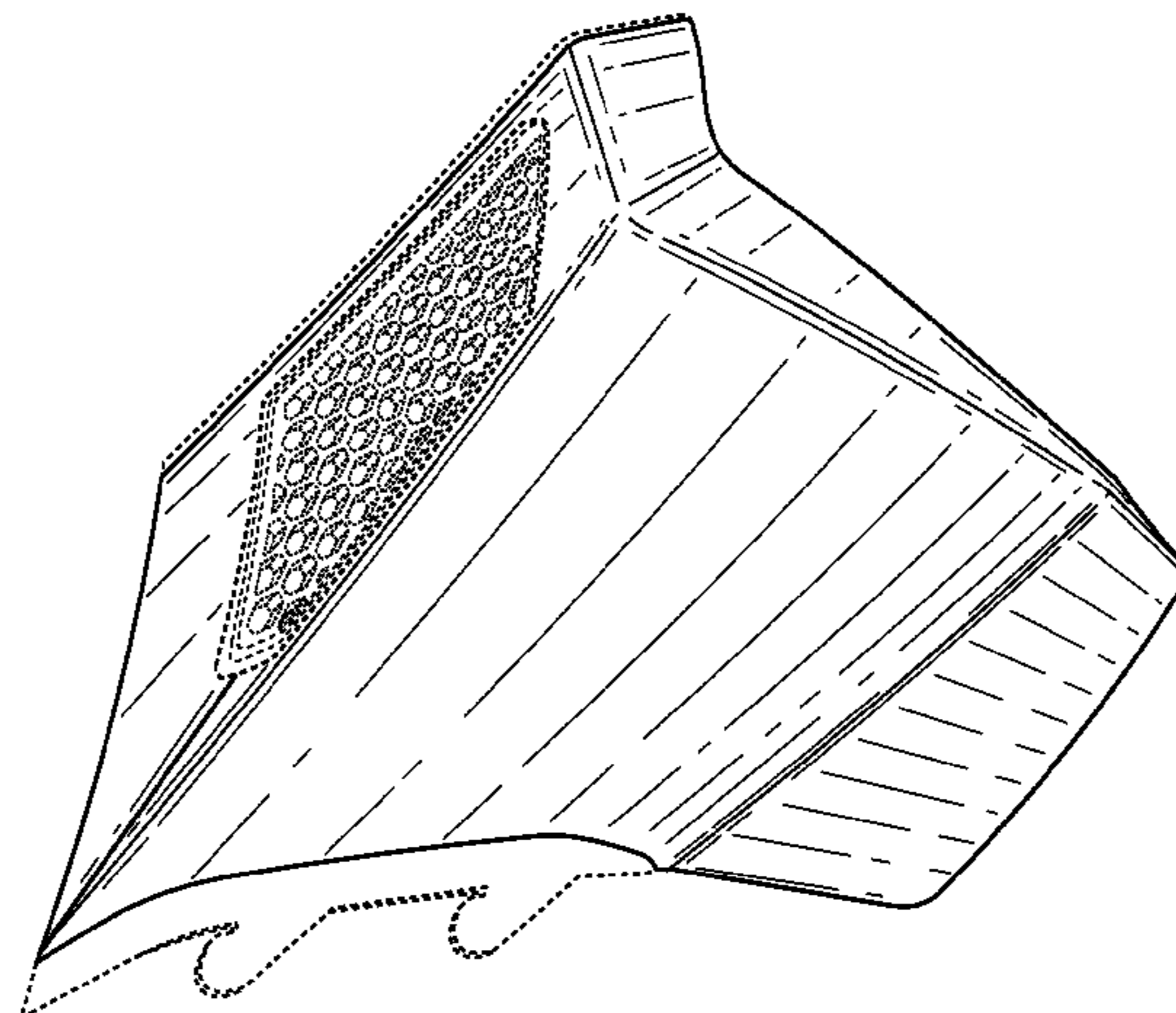
FIG. 5 is a right side elevation view thereof;

FIG. 6 is a rear elevation view thereof; and,

FIG. 7 is a front elevation view thereof.

The broken lines immediately adjacent the shaded areas represent boundaries of the claimed design while all other broken lines illustrate unclaimed portions of the snowmobile access panel. The broken lines form no part of the claim.

1 Claim, 7 Drawing Sheets



US D581,837 S

Page 2

U.S. PATENT DOCUMENTS

D479,697 S	9/2003	Cadotte et al.	D496,883 S	10/2004	Sanschagrín et al.
D479,813 S	9/2003	Cadotte et al.	D499,669 S	12/2004	Sanschagrín et al.
D479,814 S	9/2003	Cadotte et al.	D505,889 S	6/2005	Girouard et al.
D479,815 S	9/2003	Crepeau et al.	D510,058 S *	9/2005	Lin D12/110
D479,816 S	9/2003	Crepeau et al.	D511,998 S	11/2005	Deluy
D480,019 S	9/2003	Cadotte et al.	D512,662 S	12/2005	Deluy
D480,020 S	9/2003	Crepeau et al.	D515,457 S	2/2006	Deluy
D487,233 S	3/2004	Cadotte et al.	D541,192 S	4/2007	Jokelainen
D487,413 S	3/2004	Cadotte et al.	D548,136 S	8/2007	Musselman
D488,094 S	4/2004	Cadotte et al.	D548,137 S	8/2007	Curthelet
D488,095 S	4/2004	Cadotte et al.	D548,645 S	8/2007	Curthelet
D488,096 S	4/2004	Cadotte et al.	D552,506 S	10/2007	DeLuy
D488,097 S	4/2004	Cadotte et al.	D563,271 S	3/2008	Curthelet
D488,098 S	4/2004	Cadotte et al.	2005/0103546 A1 *	5/2005	Bedard et al. 180/186
D488,404 S	4/2004	Cadotte et al.			
D493,121 S	7/2004	Sanschagrín et al.			
D493,390 S	7/2004	Sanschagrín et al.			
D494,100 S	8/2004	Sanschagrín et al.			
D494,502 S	8/2004	Sanschagrín et al.			
D494,503 S	8/2004	Sanschagrín et al.			
D494,504 S	8/2004	Sanschagrín et al.			
D494,505 S	8/2004	Sanschagrín et al.			
D494,889 S	8/2004	Sanschagrín et al.			
D495,274 S	8/2004	Sanschagrín et al.			
D495,973 S	9/2004	Cadotte et al.			

OTHER PUBLICATIONS

U.S. Appl. No. 29/303,030, filed Jan. 30, 2008. Title: Snowmobile Side Panel.
U.S. Appl. No. 29/303,032, filed Jan. 30, 2008. Title: Snowmobile Side Panel.
U.S. Appl. No. 29/303,035, filed Jan. 30, 2008. Title: Snowmobile Hood.
U.S. Appl. No. 29/303,034, filed Jan. 30, 2008. Title: Snowmobile Access Panel.

* cited by examiner

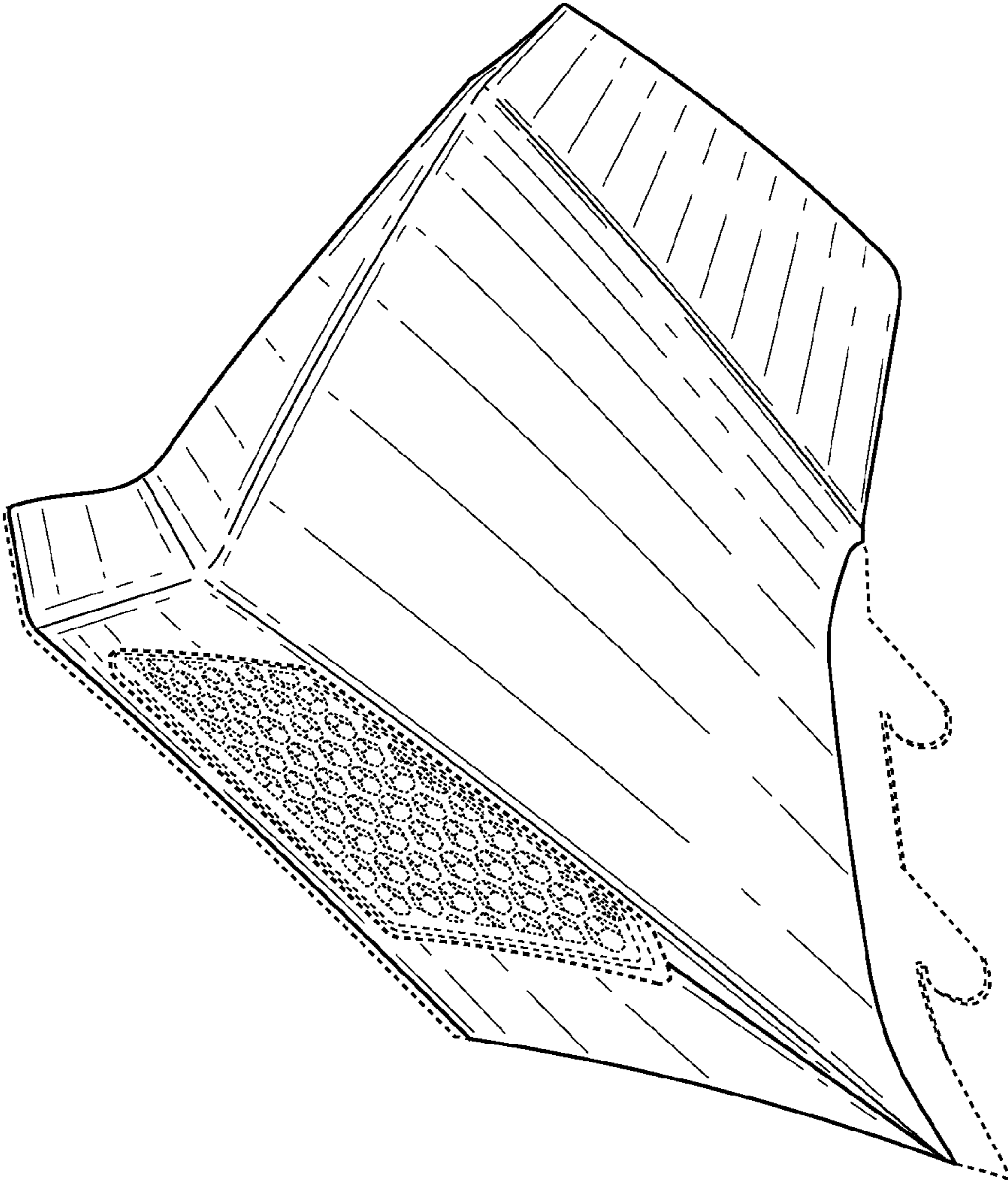


FIG. 1

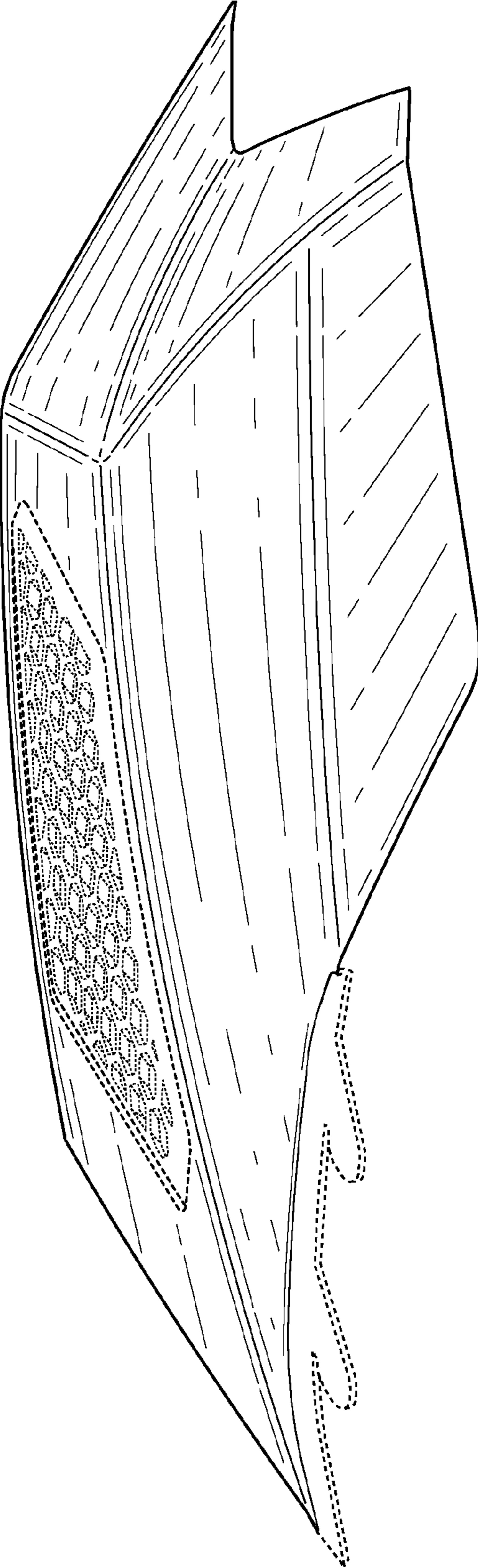


FIG. 2

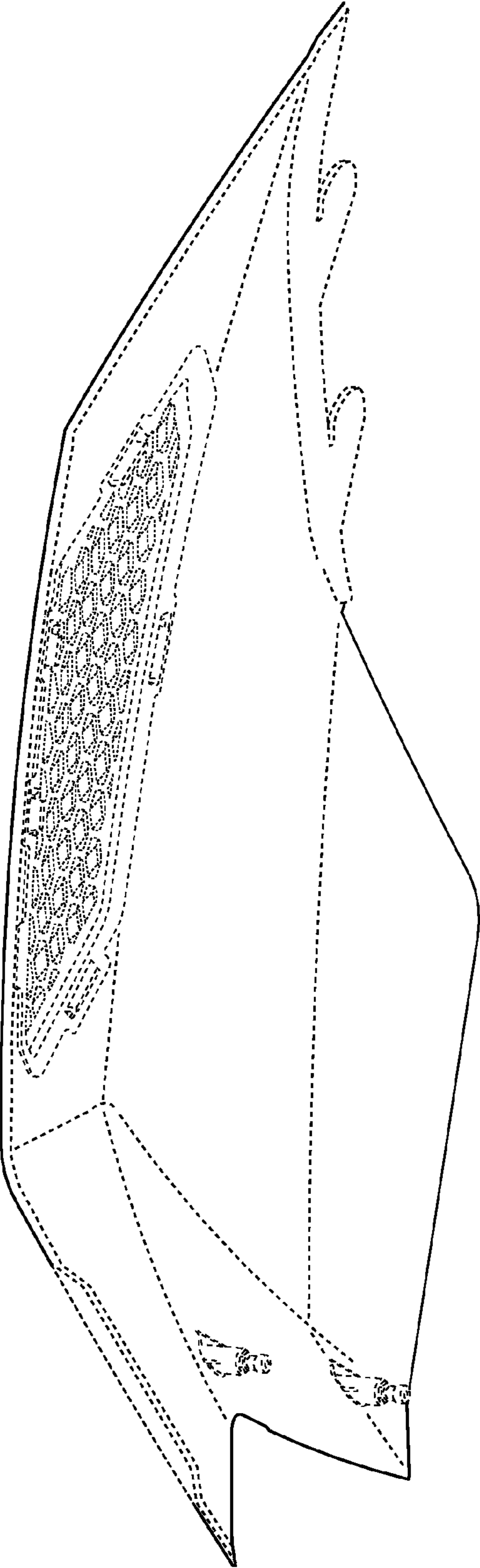


FIG. 3

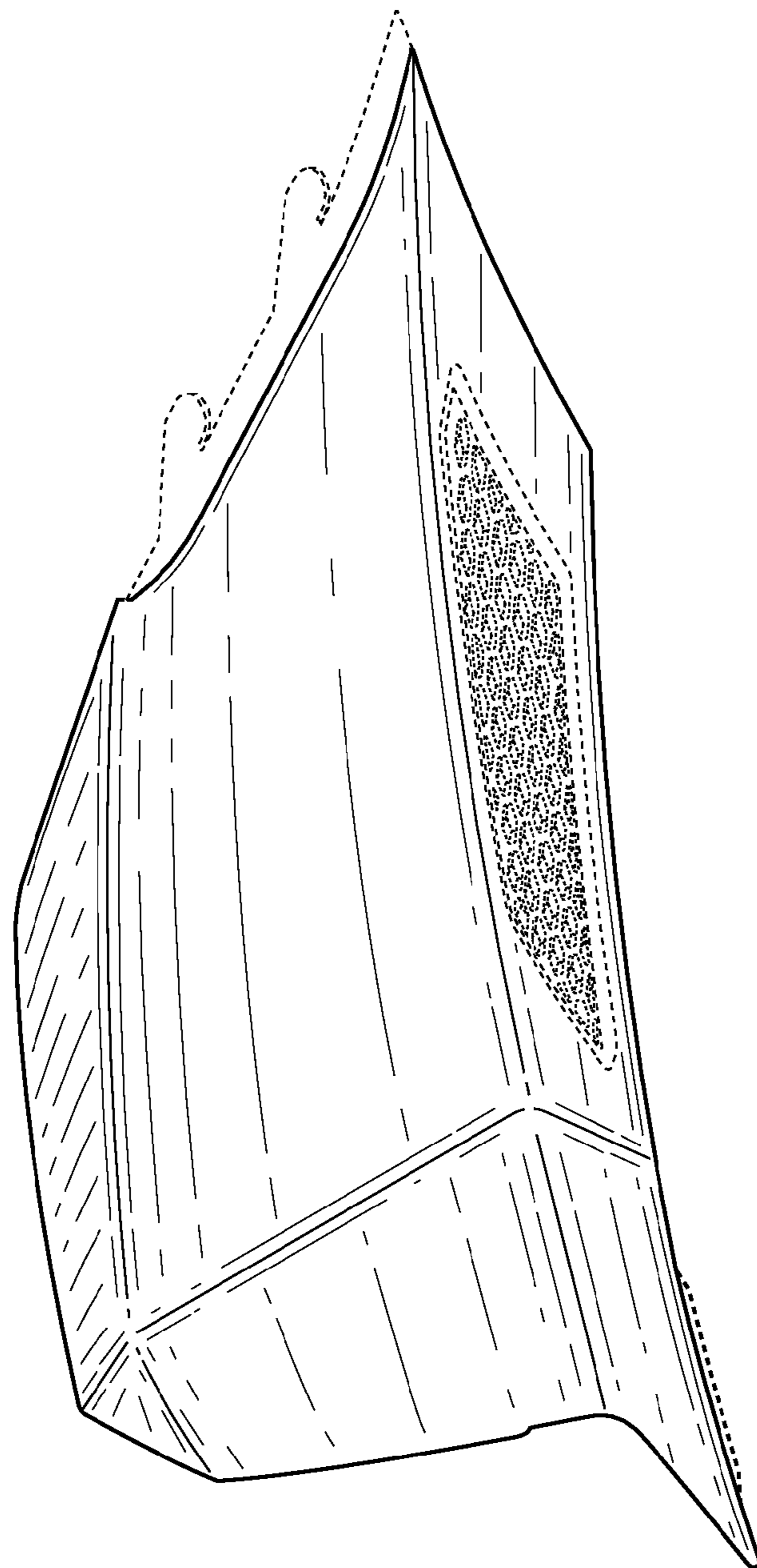


FIG. 4

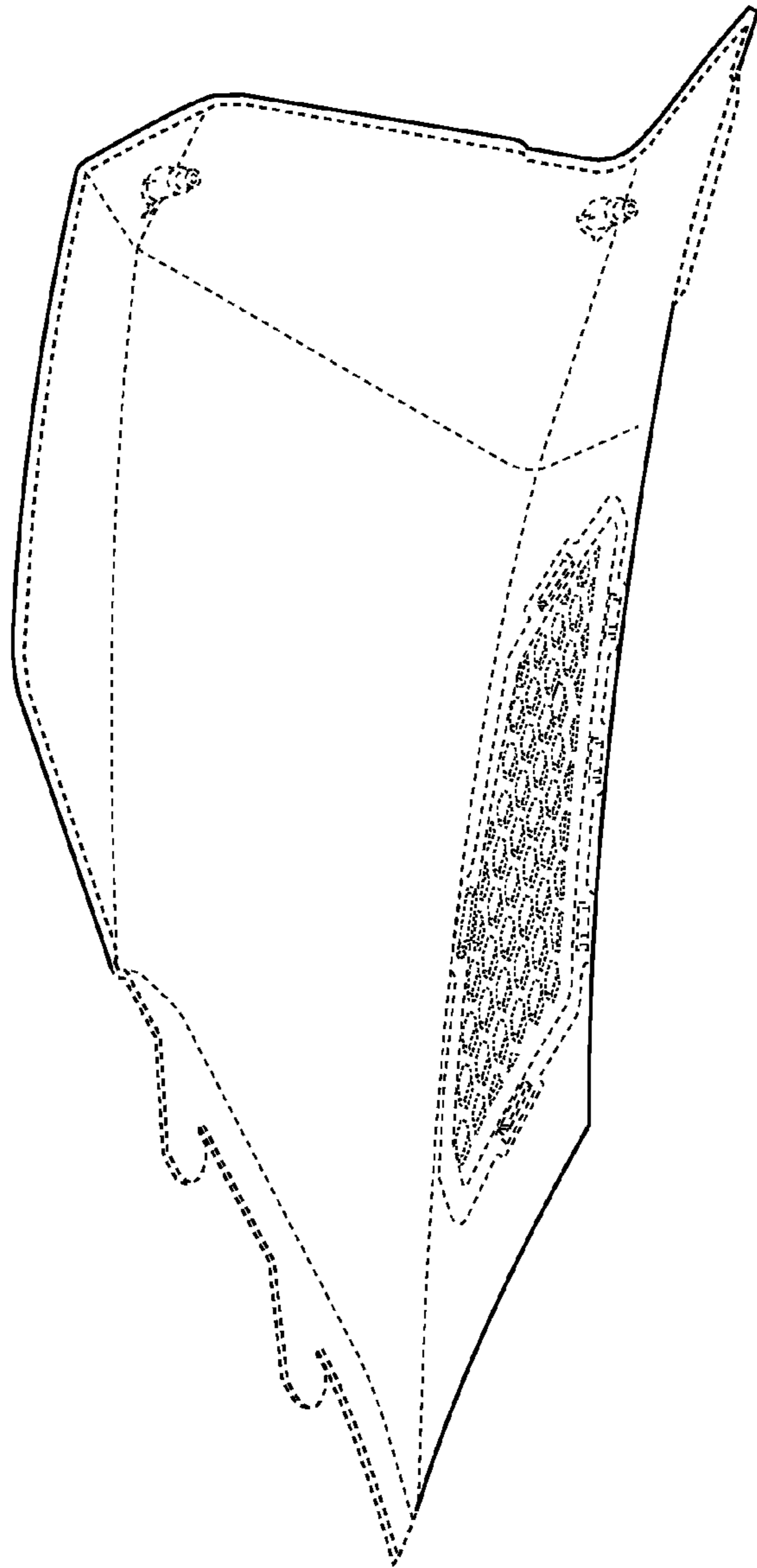


FIG. 5

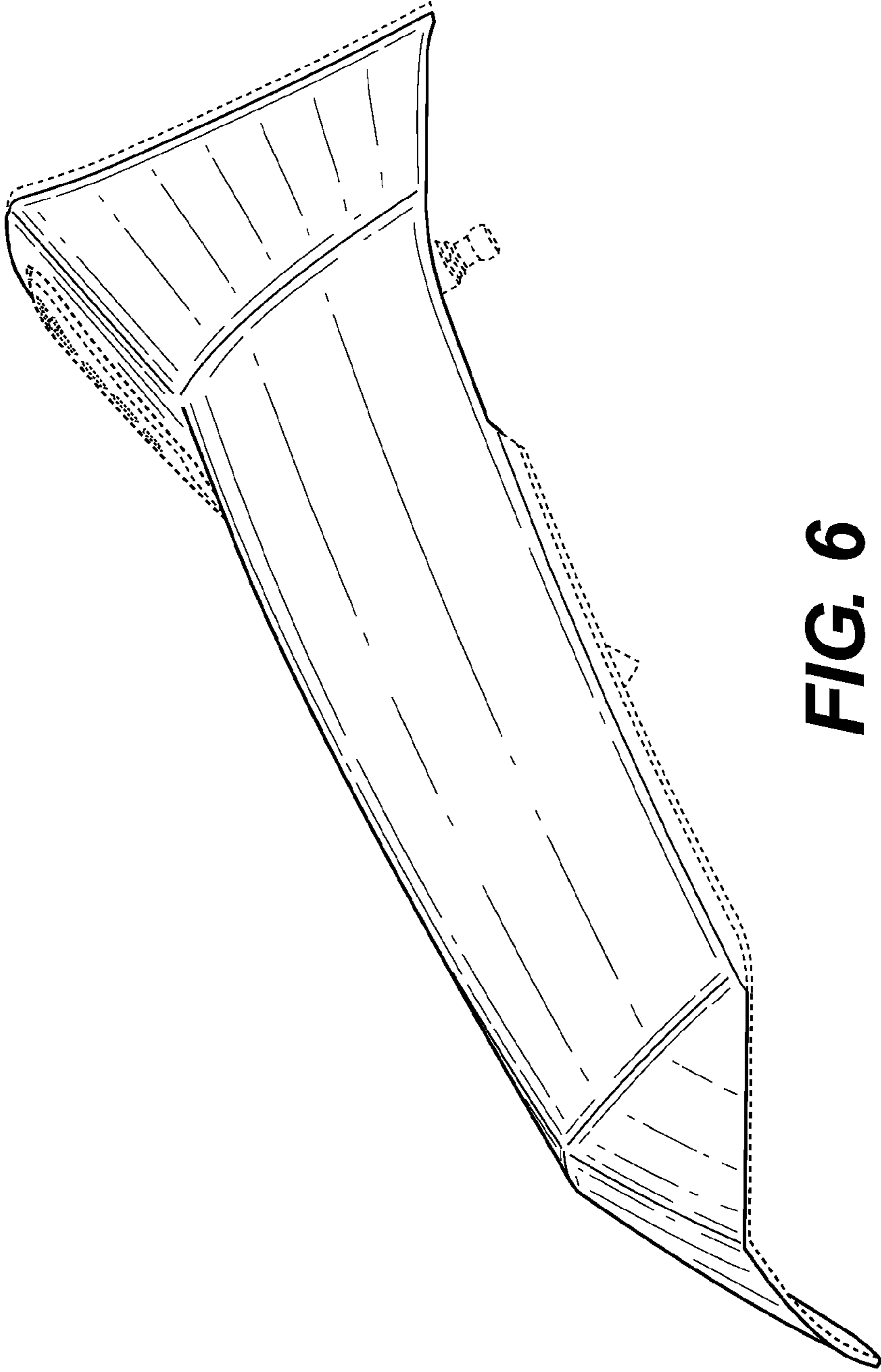


FIG. 6

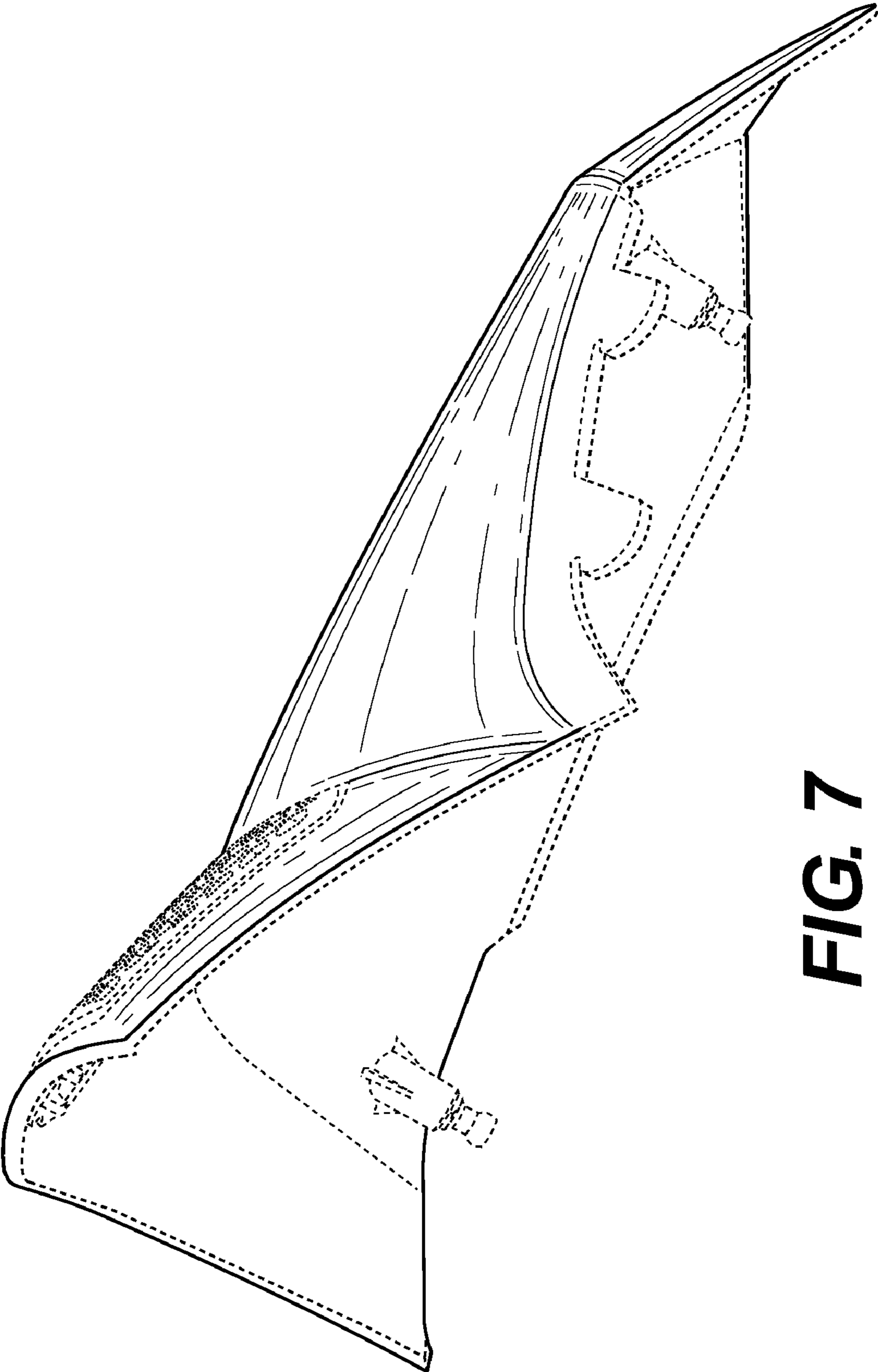


FIG. 7