



US00D581836S

(12) **United States Design Patent**  
**Bettinardi**

(10) **Patent No.:** **US D581,836 S**

(45) **Date of Patent:** **\*\* Dec. 2, 2008**

(54) **BELT BUCKLE**

D347,197 S \* 5/1994 Greene ..... D11/231  
D474,130 S \* 5/2003 Rezania ..... D11/231

(76) Inventor: **Robert J. Bettinardi**, 7800 Graphics  
Dr., Tinley Park, IL (US) 60477

\* cited by examiner

(\*\*) Term: **14 Years**

*Primary Examiner*—Catherine R Oliver

(74) *Attorney, Agent, or Firm*—Brian B. Diekhoff; Polsinelli  
Shalton Flanigan Suelthaus PC

(21) Appl. No.: **29/304,287**

(22) Filed: **Feb. 28, 2008**

(57) **CLAIM**

(51) **LOC (8) Cl.** ..... **02-07**

The ornamental design for a belt buckle, as shown and  
described.

(52) **U.S. Cl.** ..... **D11/231**

(58) **Field of Classification Search** ..... D11/231,  
D11/200–232; 24/614, 616, 625, 650, 615,  
24/199, 170, 200, 30.5 R, 318; D2/625–629  
See application file for complete search history.

**DESCRIPTION**

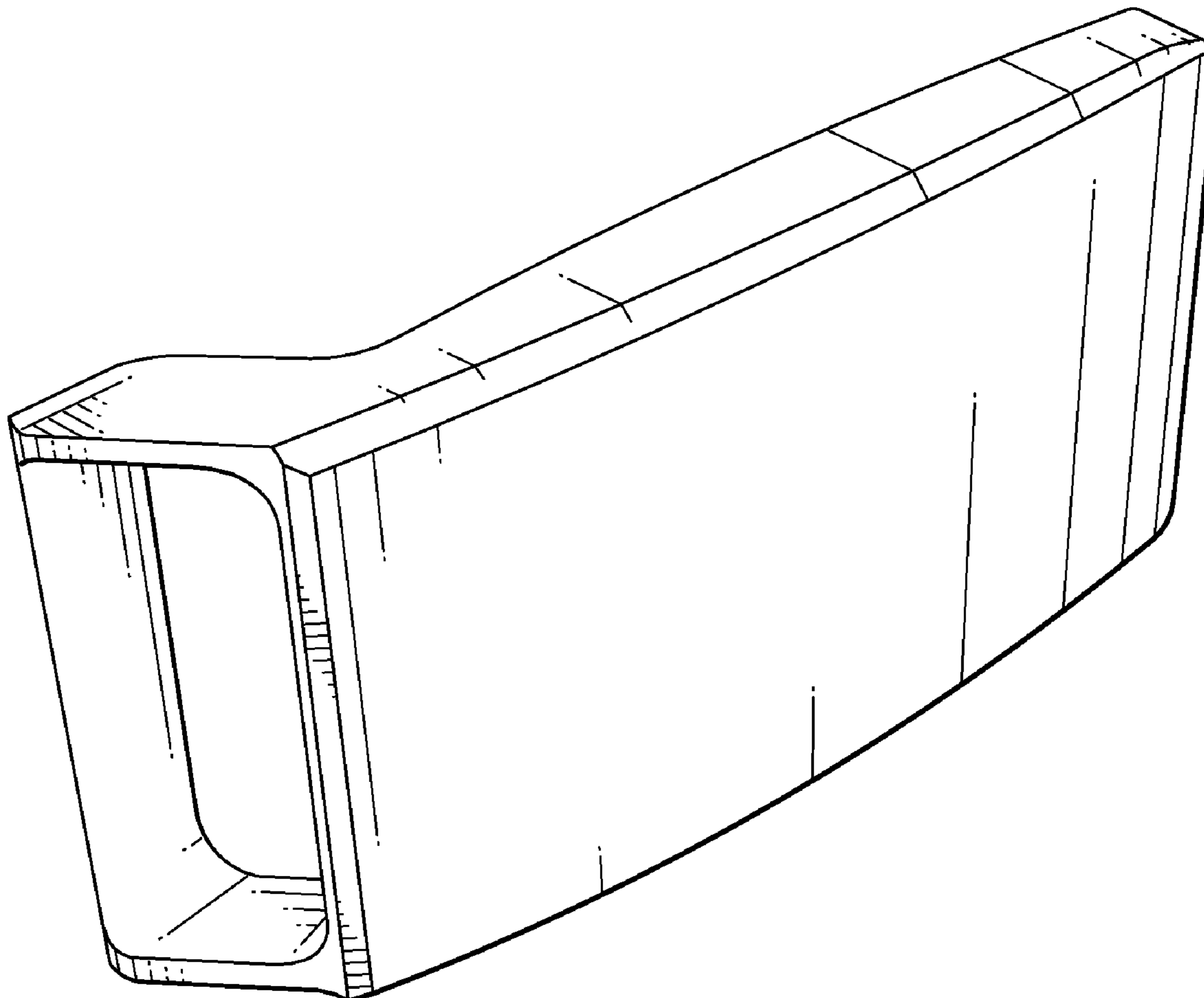
FIG. 1 is a front perspective view of the belt buckle;  
FIG. 2 is a top view of the belt buckle;  
FIG. 3 is a side view of the belt buckle;  
FIG. 4 is a bottom view of the belt buckle;  
FIG. 5 is a rear view of the belt buckle; and,  
FIG. 6 is a front view of the belt buckle.

(56) **References Cited**

**U.S. PATENT DOCUMENTS**

4,437,598 A \* 3/1984 Hull ..... D11/231  
D284,524 S \* 7/1986 Ainsworth ..... D11/231  
D301,702 S \* 6/1989 Peterson ..... D11/230

**1 Claim, 3 Drawing Sheets**



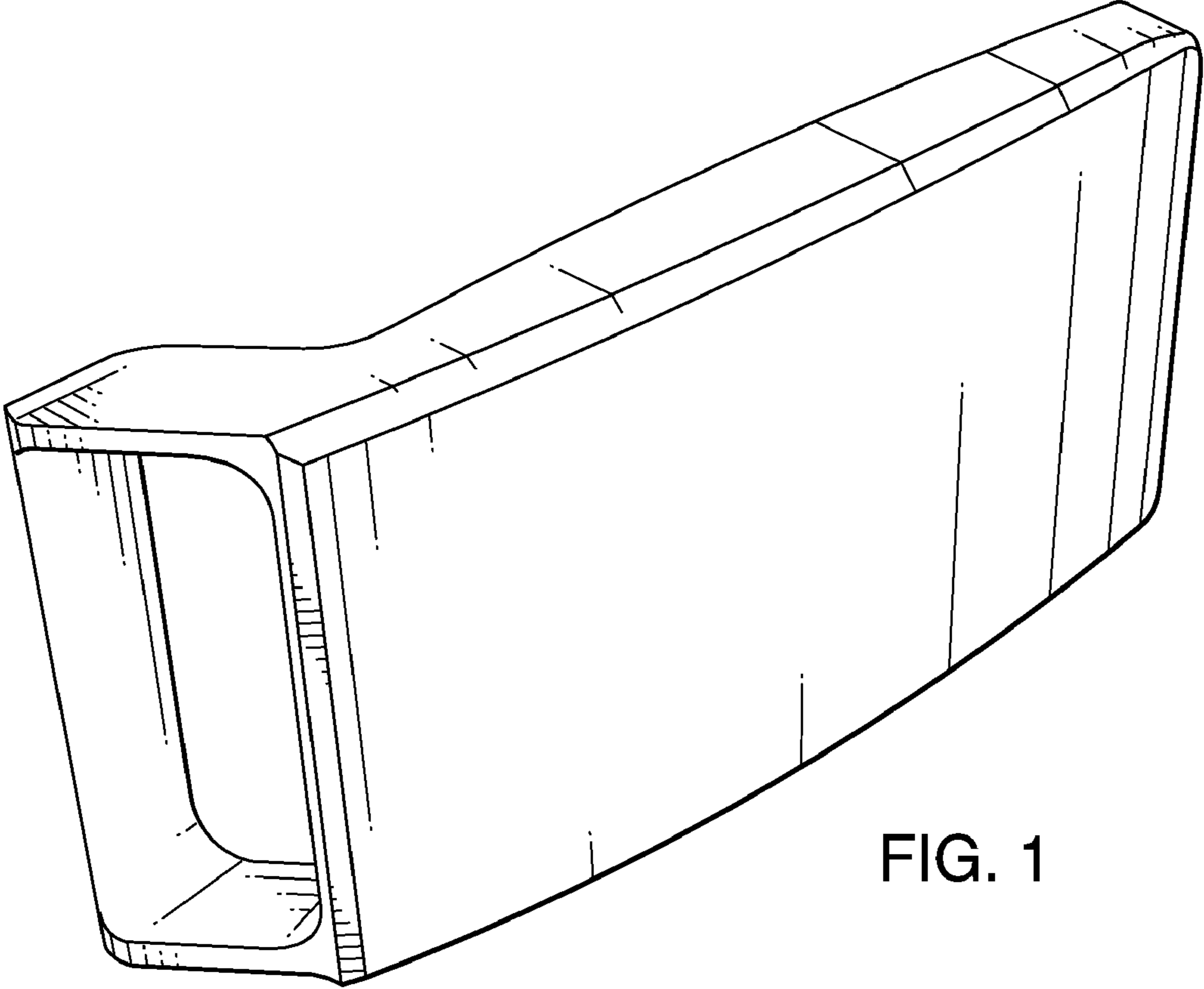


FIG. 1

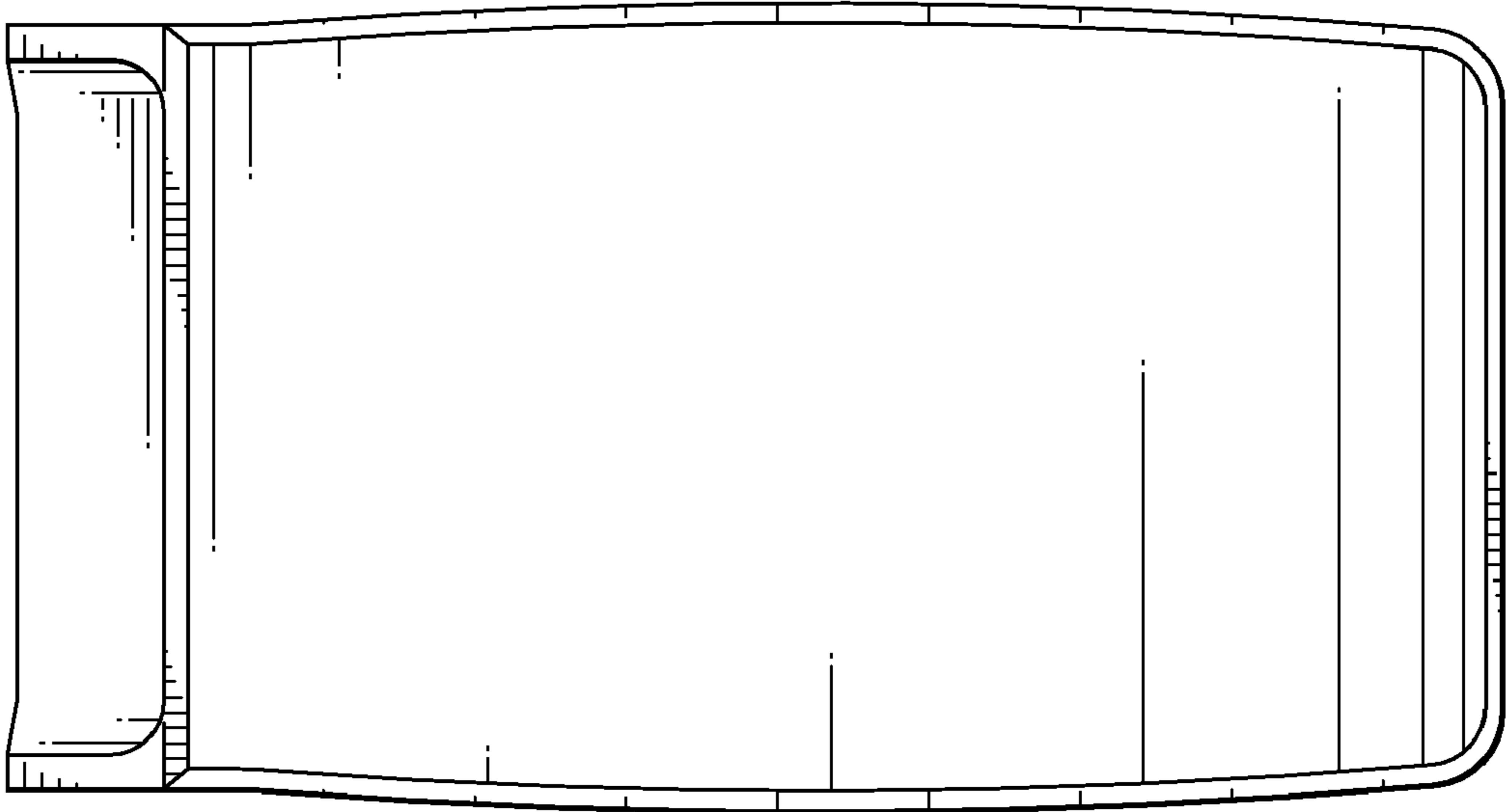


FIG. 2

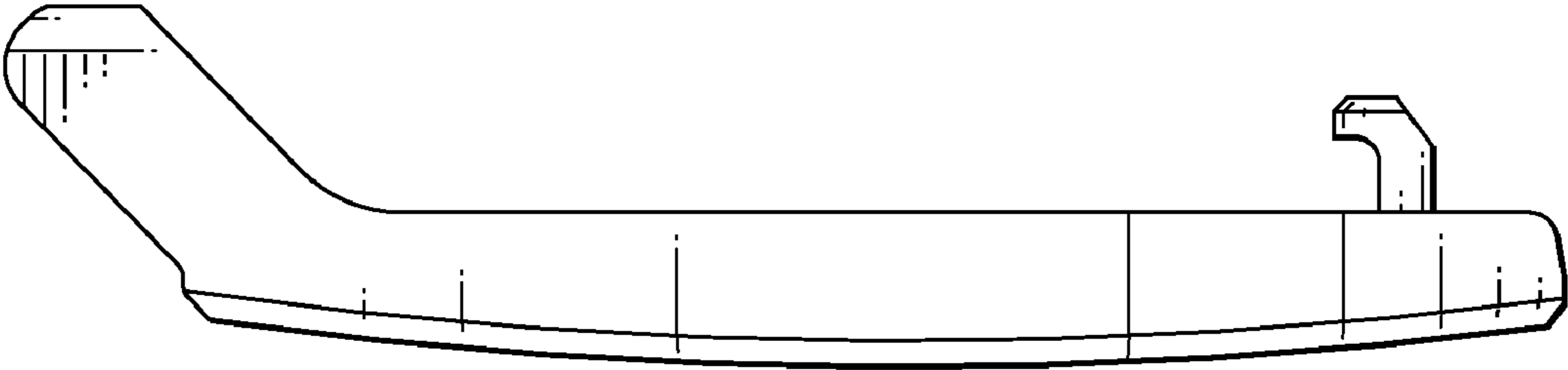


FIG. 3

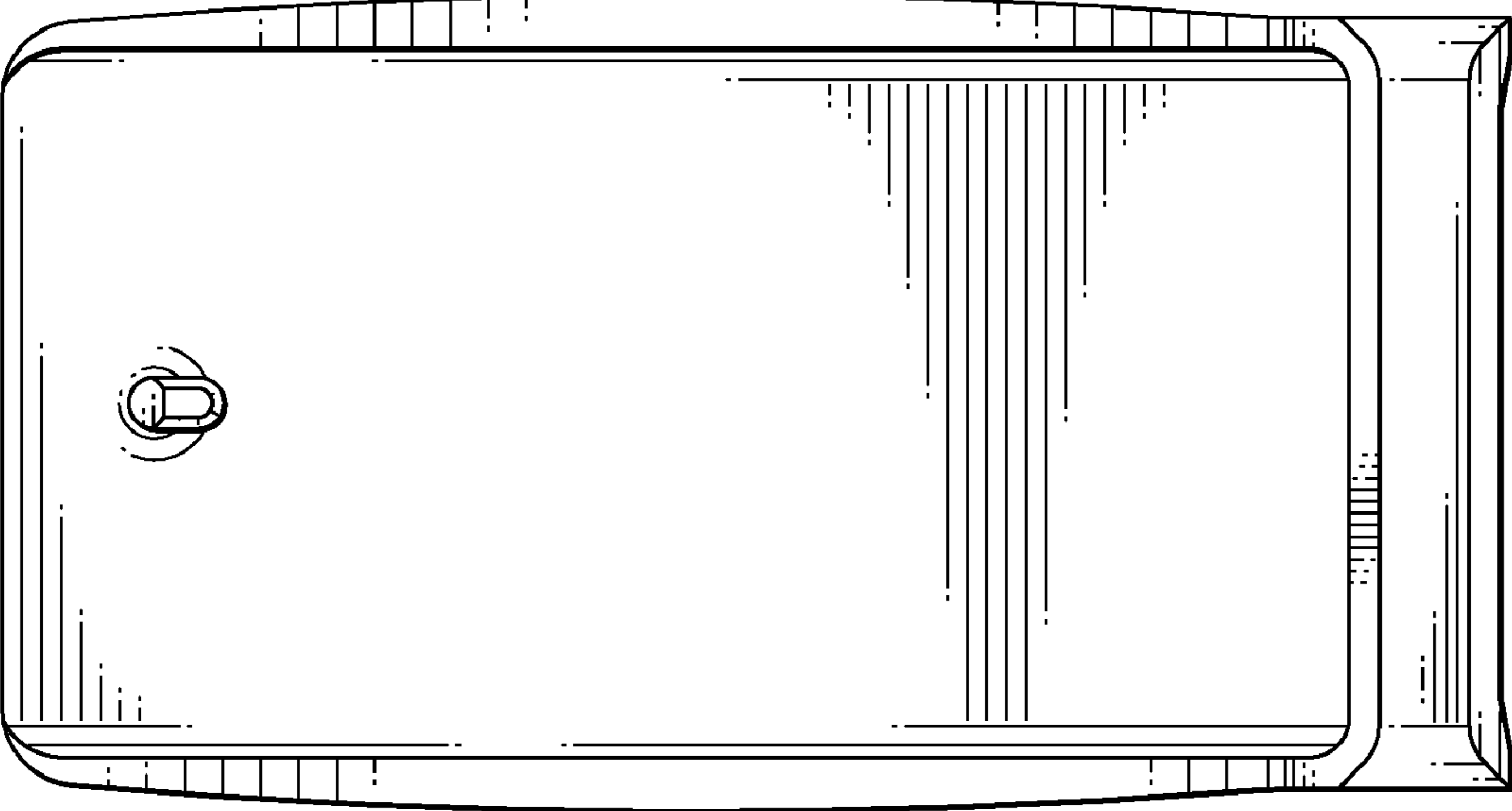


FIG. 4

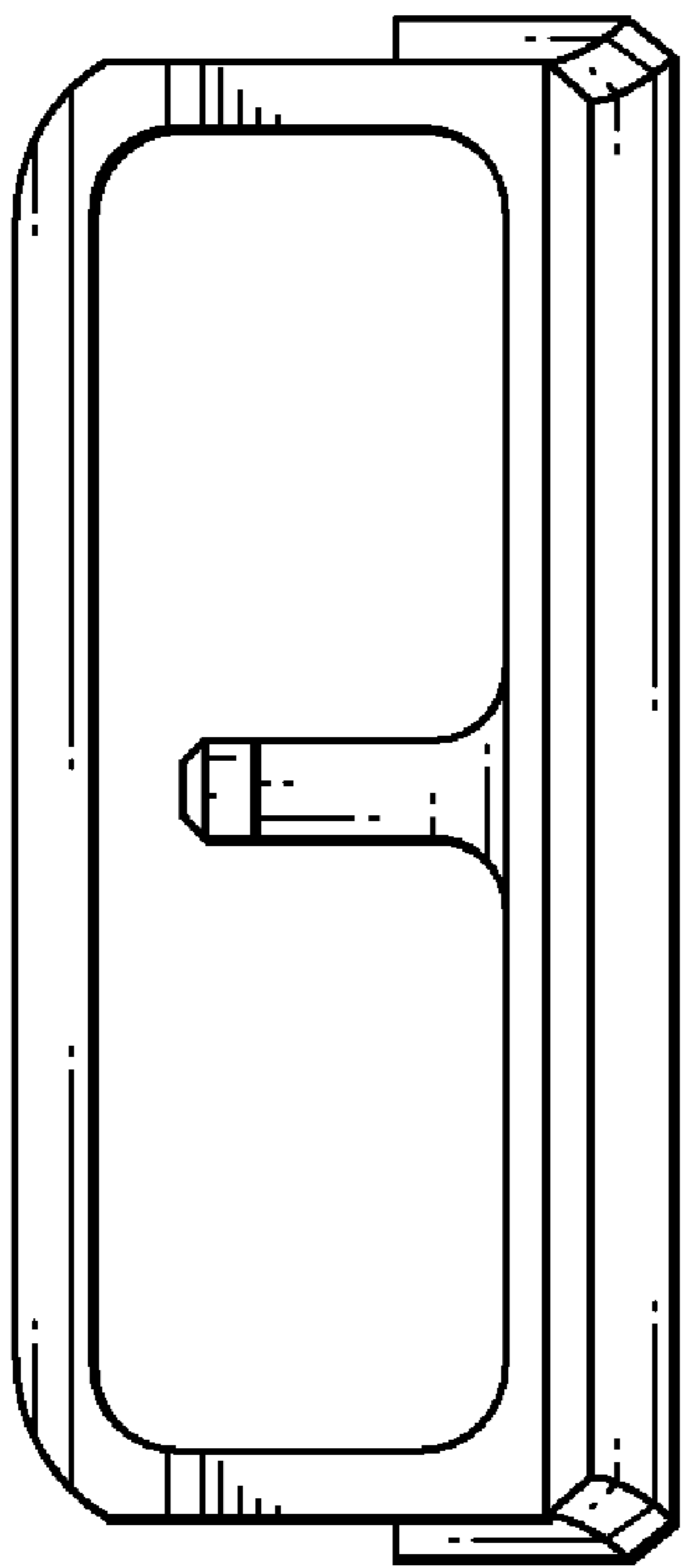


FIG. 5

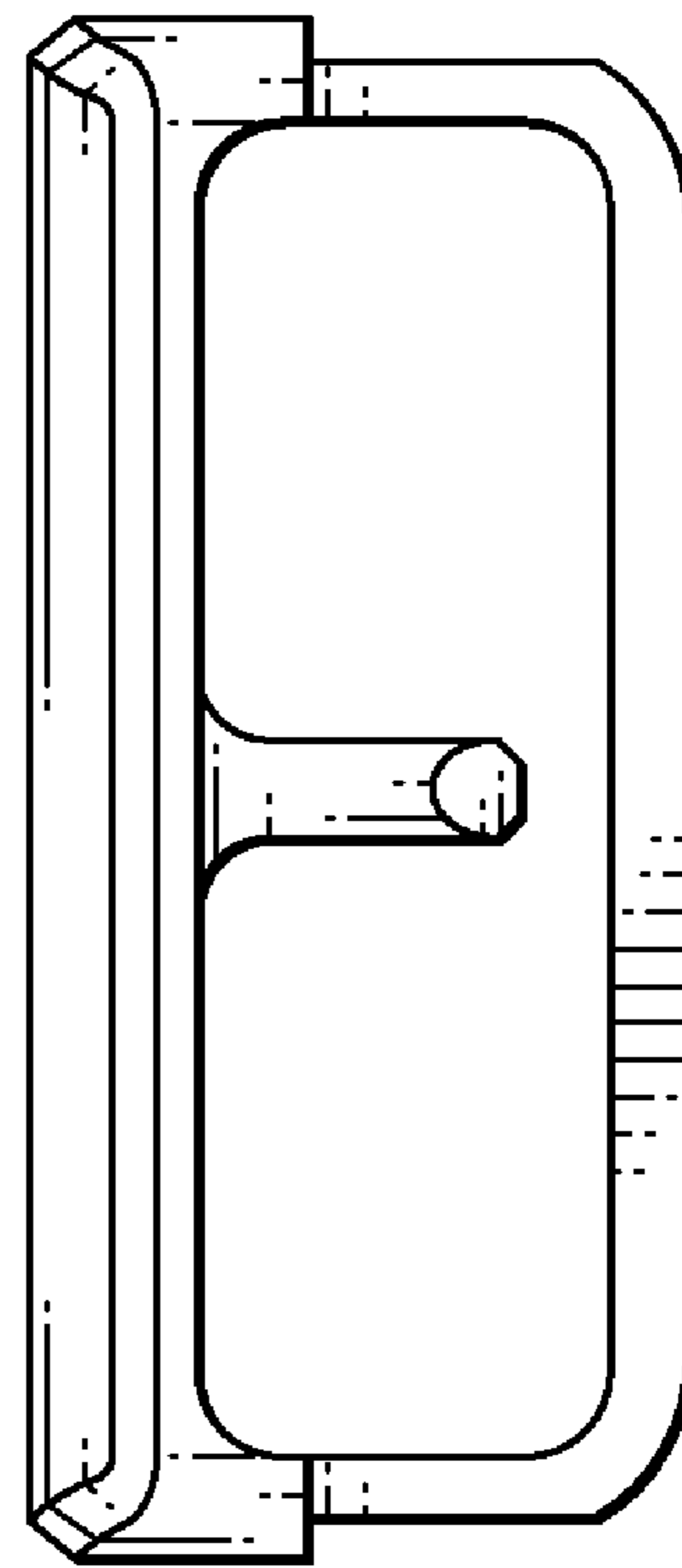


FIG. 6