



US00D581827S

(12) **United States Design Patent**  
**Moss**

(10) **Patent No.:** **US D581,827 S**  
(45) **Date of Patent:** **\*\* Dec. 2, 2008**

(54) **JEWELRY FASTENER**

(76) Inventor: **Kimball Moss**, 441 B Goldenrod Ave.,  
Corona Del Mar, CA (US) 92625

(\*\*) Term: **14 Years**

(21) Appl. No.: **29/305,122**

(22) Filed: **Mar. 13, 2008**

**Related U.S. Application Data**

(63) Continuation-in-part of application No. 29/265,766,  
filed on Sep. 8, 2006, now abandoned.

(51) **LOC (8) Cl.** ..... **02-01**

(52) **U.S. Cl.** ..... **D11/87; D11/213**

(58) **Field of Classification Search** ..... D11/1-2,  
D11/200-201, 208-210, 212-218, 220, 230-234,  
D11/236-237, 86-87, 94; 24/307, 625, 616,  
24/200, 196, 637, 171, 169, 112, 614, 615,  
24/373, 303; 63/3.1, 35; D8/382

See application file for complete search history.

(56) **References Cited**

**U.S. PATENT DOCUMENTS**

D82,429 S	11/1930	Lucomlin	
D93,340 S	9/1934	Furtsch	
3,129,477 A *	4/1964	Mizuno	24/303
D208,454 S	9/1967	Welch	
3,967,351 A	7/1976	Rosenberg et al.	
4,024,607 A	5/1977	Rosenberg et al.	
4,188,688 A	2/1980	D'Orgelys	
4,245,377 A	1/1981	Soltes	
4,281,441 A	8/1981	Rasner	
4,655,054 A	4/1987	Roesch	
4,781,037 A	11/1988	Willibald	
5,018,250 A	5/1991	Shroder	
5,050,276 A	9/1991	Pemberton	
5,197,168 A	3/1993	Levy	
5,245,732 A	9/1993	Johnston	
5,351,505 A	10/1994	Febrer	
5,367,891 A *	11/1994	Furuyama	63/29.2
5,410,784 A	5/1995	Katz	
5,412,850 A	5/1995	Miranda	

5,432,986 A	7/1995	Sexton	
5,457,860 A	10/1995	Miranda	
5,689,867 A	11/1997	Katz	
5,845,373 A *	12/1998	Langer	24/303
D405,352 S *	2/1999	Rosenbauer	D8/382
5,921,110 A	7/1999	Middendorff et al.	
6,640,398 B2	11/2003	Hoffman	
6,810,685 B2	11/2004	Esposito, Jr.	
6,981,391 B2 *	1/2006	Suzuki	63/3.1
D514,474 S	2/2006	Neri	
D561,636 S *	2/2008	Khubani	D11/87
2003/0005558 A1	1/2003	Wong	

**OTHER PUBLICATIONS**

Jules Borel & Company. Findings Catalog, Clasps, pp. 88-95, 2000.  
Side and top views of magnetic clasp, Unknown Source.

(Continued)

*Primary Examiner*—R. Seifert  
(74) *Attorney, Agent, or Firm*—Knobbe Martens Olson &  
Bear LLP

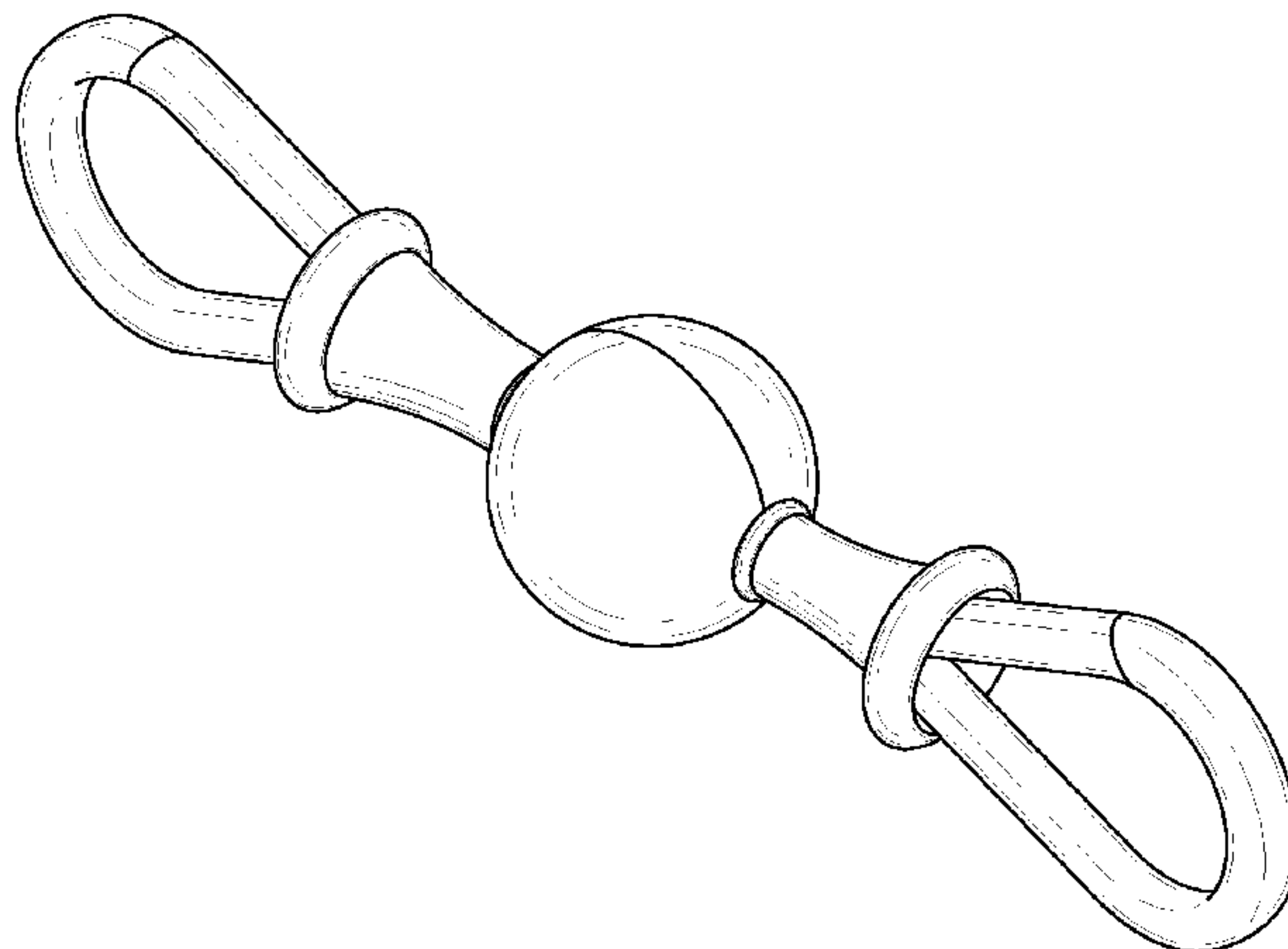
(57) **CLAIM**

The ornamental design for a jewelry fastener, as shown.

**DESCRIPTION**

FIG. 1 is a perspective view of a jewelry fastener configured  
in accordance with an embodiment of the present invention;  
FIG. 2 is a top plan view of the jewelry fastener of FIG. 1;  
FIG. 3 is a front elevational view of the jewelry fastener of  
FIG. 1;  
FIG. 4 is a rear elevational view of the jewelry fastener of FIG.  
1;  
FIG. 5 is a side elevational view of the jewelry fastener of  
FIG. 1; and,  
FIG. 6 is a front perspective view of the jewelry fastener of  
FIG. 1, wherein end portions of the jewelry fastener are  
separated to illustrate interior sections of the end portions.

**1 Claim, 3 Drawing Sheets**



OTHER PUBLICATIONS

“Magnetic Lasp converter (Gold)”, available at <http://www.dynamic-living.com/magnetic-claps.htm>, last accessed May 18, 2006.

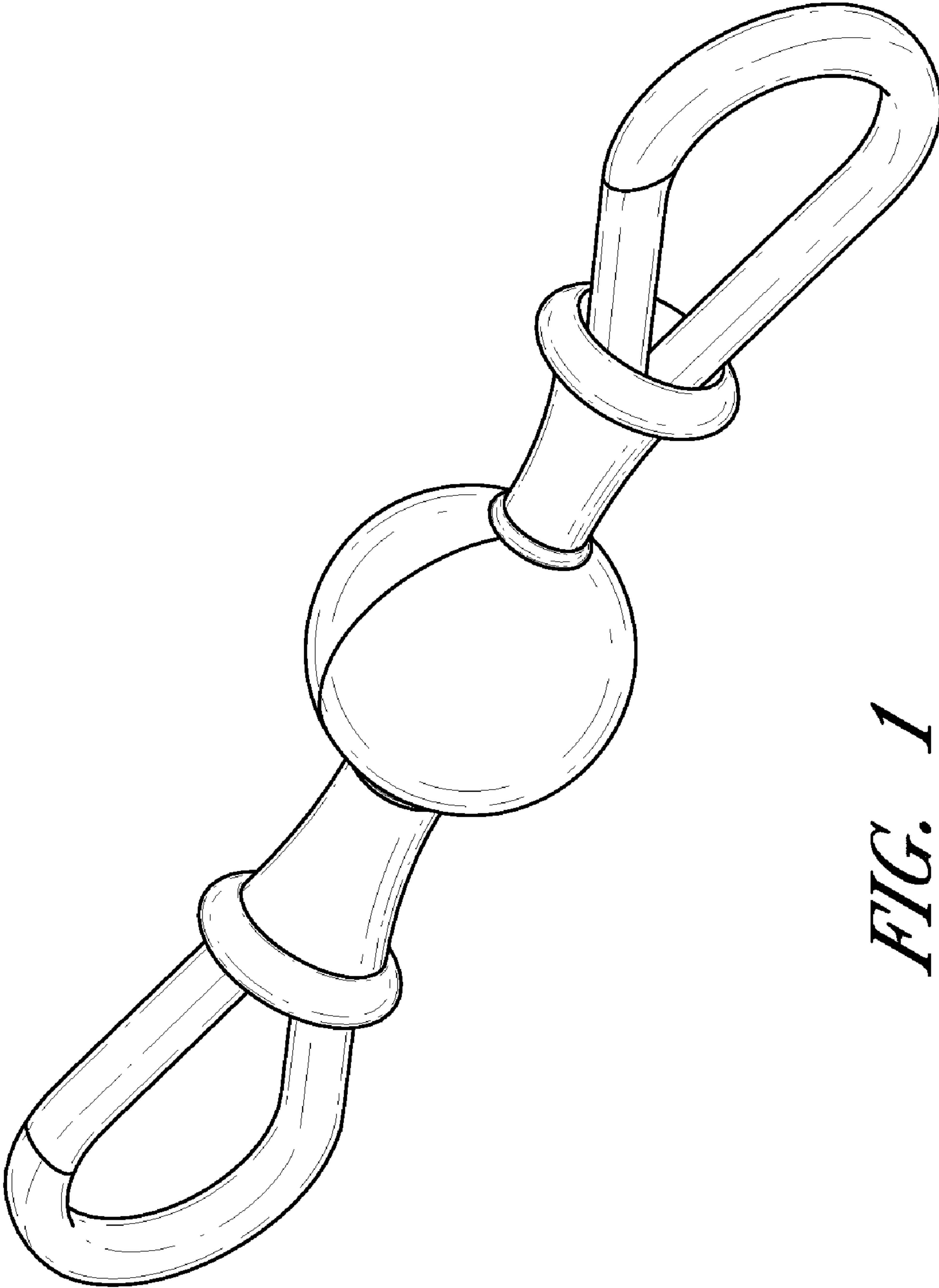
Top view of magnetic claps, [http://bookofioe.tvpepad.com/photos.uncategorized/p69367b\\_1.jpg](http://bookofioe.tvpepad.com/photos.uncategorized/p69367b_1.jpg). last accessed May 18, 2006.

“Magnetic Ncklace Clasps”, available at [http://www.bookojoe.com/2006/04/magnetic\\_neckla.html](http://www.bookojoe.com/2006/04/magnetic_neckla.html), last accessed May 18, 2006.

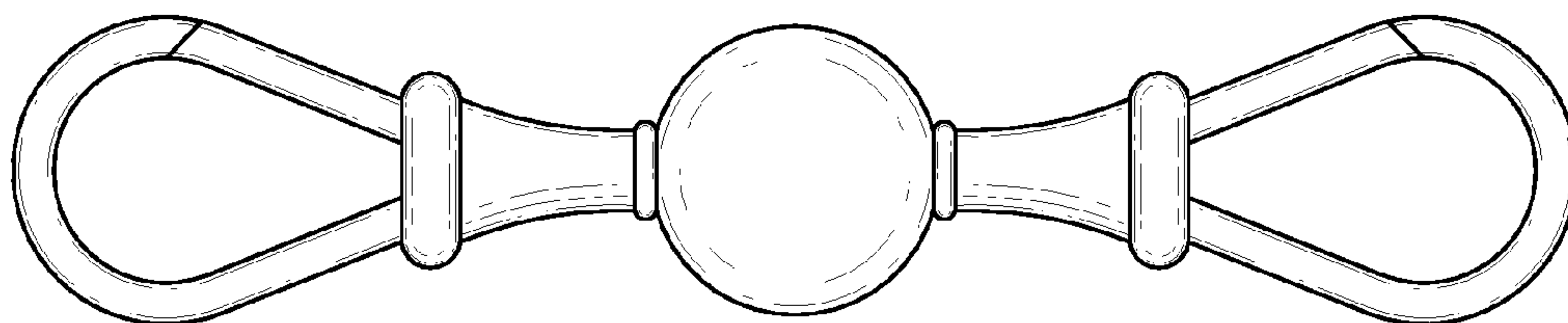
“Magnetic Clasp converter, Silver Plated Magnetic Clasp Converter”, available at <http://www.pinkwindow.com/clasp031s.htm>, last accessed May 18, 2006.

“Magnetic Jewelry Converters”, available at [http://www.bizrate.com/oid395508019\\_nwylfl--html](http://www.bizrate.com/oid395508019_nwylfl--html). last accessed May 18, 2006.

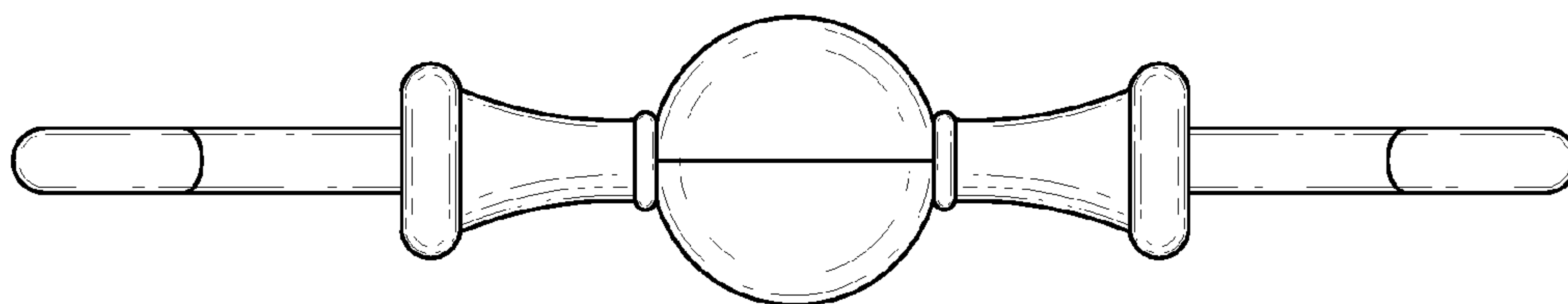
\* cited by examiner



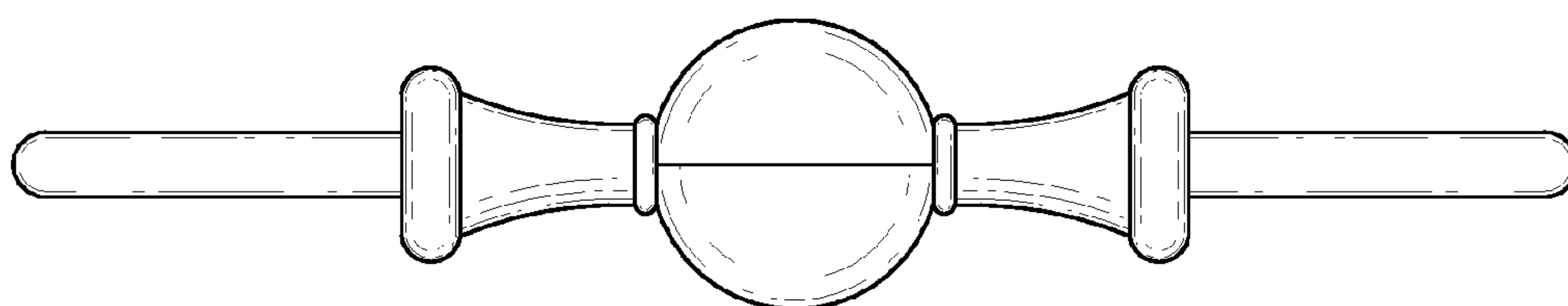
*FIG. 1*



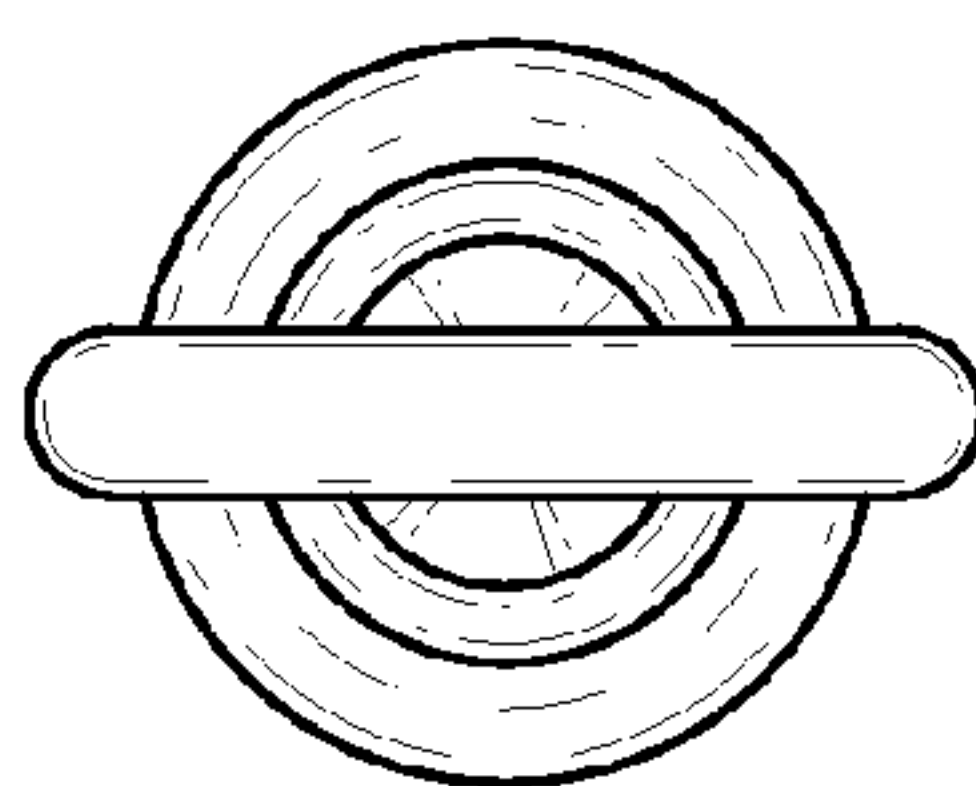
*FIG. 2*



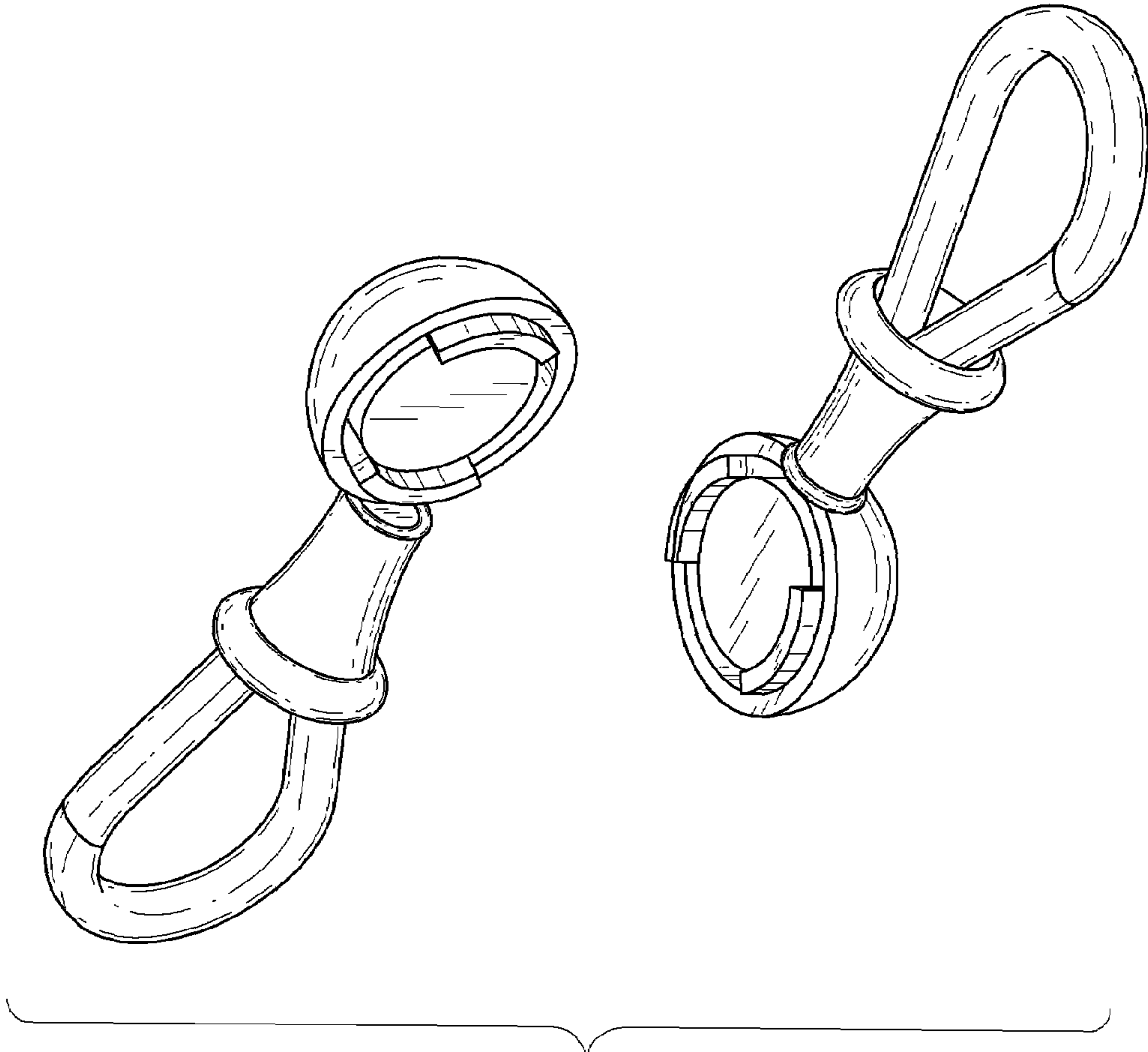
*FIG. 3*



*FIG. 4*



*FIG. 5*



*FIG. 6*