

US00D581823S

(12) **United States Design Patent**
Mori et al.

(10) **Patent No.:** **US D581,823 S**
(45) **Date of Patent:** **** Dec. 2, 2008**

- (54) **BIOCHEMICAL ANALYZER**
- (75) Inventors: **Masakazu Mori**, Touon (JP); **Noriyuki Shinohara**, Touon (JP)
- (73) Assignee: **Panasonic Corporation**, Osaka (JP)
- (**) Term: **14 Years**
- (21) Appl. No.: **29/305,169**
- (22) Filed: **Mar. 14, 2008**
- (51) **LOC (8) Cl.** **10-04**
- (52) **U.S. Cl.** **D10/81; D24/186**
- (58) **Field of Classification Search** D10/81;
D24/186, 232, 233, 234; 73/864.01, 864.12;
134/21, 22.11, 24, 26-27, 169 R; 422/62-64,
422/100; 436/47, 49, 179, 180
See application file for complete search history.

JP	D1210412	6/2004
JP	D1210419	6/2004
JP	D1210420	6/2004
JP	D1211556	7/2004
JP	D1223934	11/2004
JP	D1255808	11/2005
JP	D1269914	5/2006
JP	D1194850	12/2006
JP	D1194851	12/2006
JP	D1194852	12/2006
JP	D1223907	11/2007
JP	D1223908	11/2007
JP	D1223909	11/2007
JP	D1223943	11/2007
JP	D1223944	11/2007
JP	D1223945	11/2007
JP	D1223946	11/2007
JP	D1317274	12/2007

* cited by examiner

Primary Examiner—Antoine D Davis
(74) *Attorney, Agent, or Firm*—Brinks Hofer Gilson & Lione

(56) **References Cited**

U.S. PATENT DOCUMENTS

D424,956 S *	5/2000	von Buelow et al.	D10/81
D446,306 S	8/2001	Ochi et al.	
D490,155 S	5/2004	Nakamura	
D490,516 S	5/2004	Takahashi et al.	
D510,438 S	10/2005	Kondo et al.	
D513,074 S	12/2005	Nakamura et al.	
D515,707 S	2/2006	Shinohara et al.	
D525,710 S	7/2006	Kobayashi et al.	
D533,279 S	12/2006	Kobayashi et al.	
D533,666 S	12/2006	Kobayashi et al.	
D535,028 S	1/2007	Kobayashi et al.	
D537,946 S	3/2007	Maesawa et al.	
D560,131 S *	1/2008	Hu	D10/81

FOREIGN PATENT DOCUMENTS

JP	D857413	1/1993
JP	D1160110	12/2002
JP	D1171592	4/2003
JP	D1210406	6/2004
JP	D1210407	6/2004
JP	D1210408	6/2004

(57) **CLAIM**

The ornamental design for a biochemical analyzer, as shown and described.

DESCRIPTION

FIG. 1 is a top perspective view of a biochemical analyzer of the present invention;
 FIG. 2 is a front view thereof;
 FIG. 3 is a rear view thereof;
 FIG. 4 is a first side view thereof;
 FIG. 5 is a second side view thereof;
 FIG. 6 is a top view thereof; and,
 FIG. 7 is a bottom view thereof.

The broken line showing of biochemical analyzer is included for the purpose of illustrating environment and forms no part of the claimed design.

1 Claim, 7 Drawing Sheets

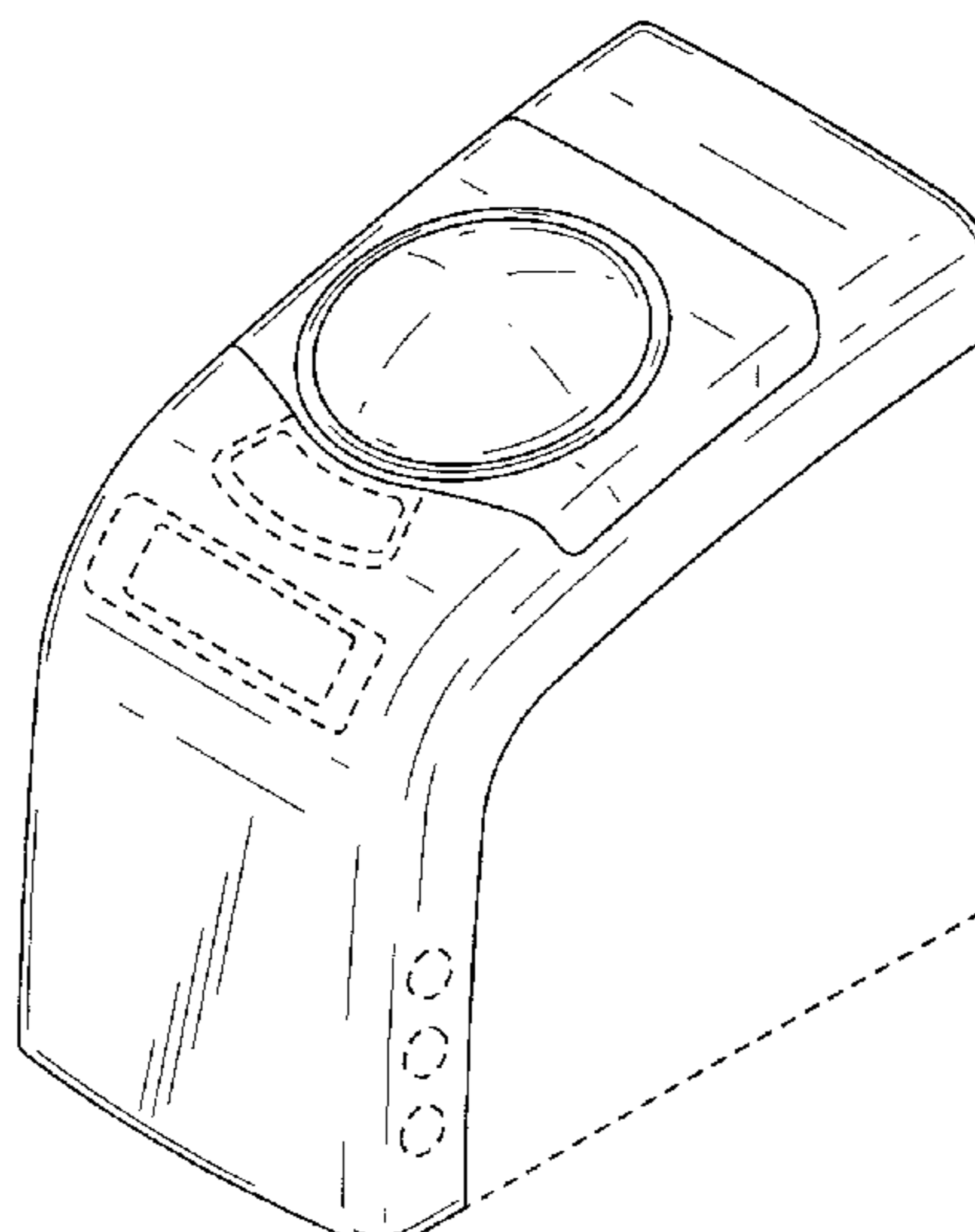


FIG.1

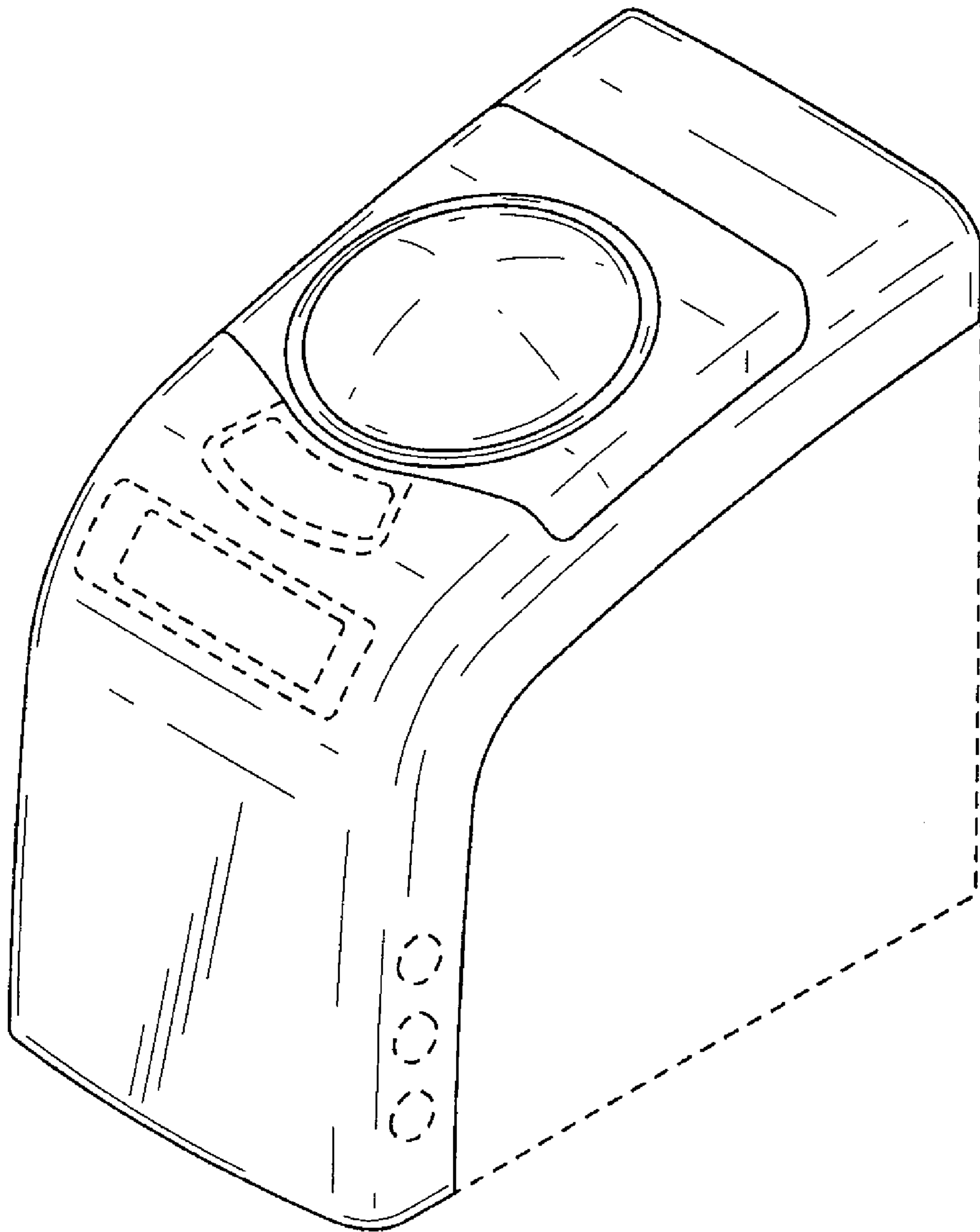


FIG.2

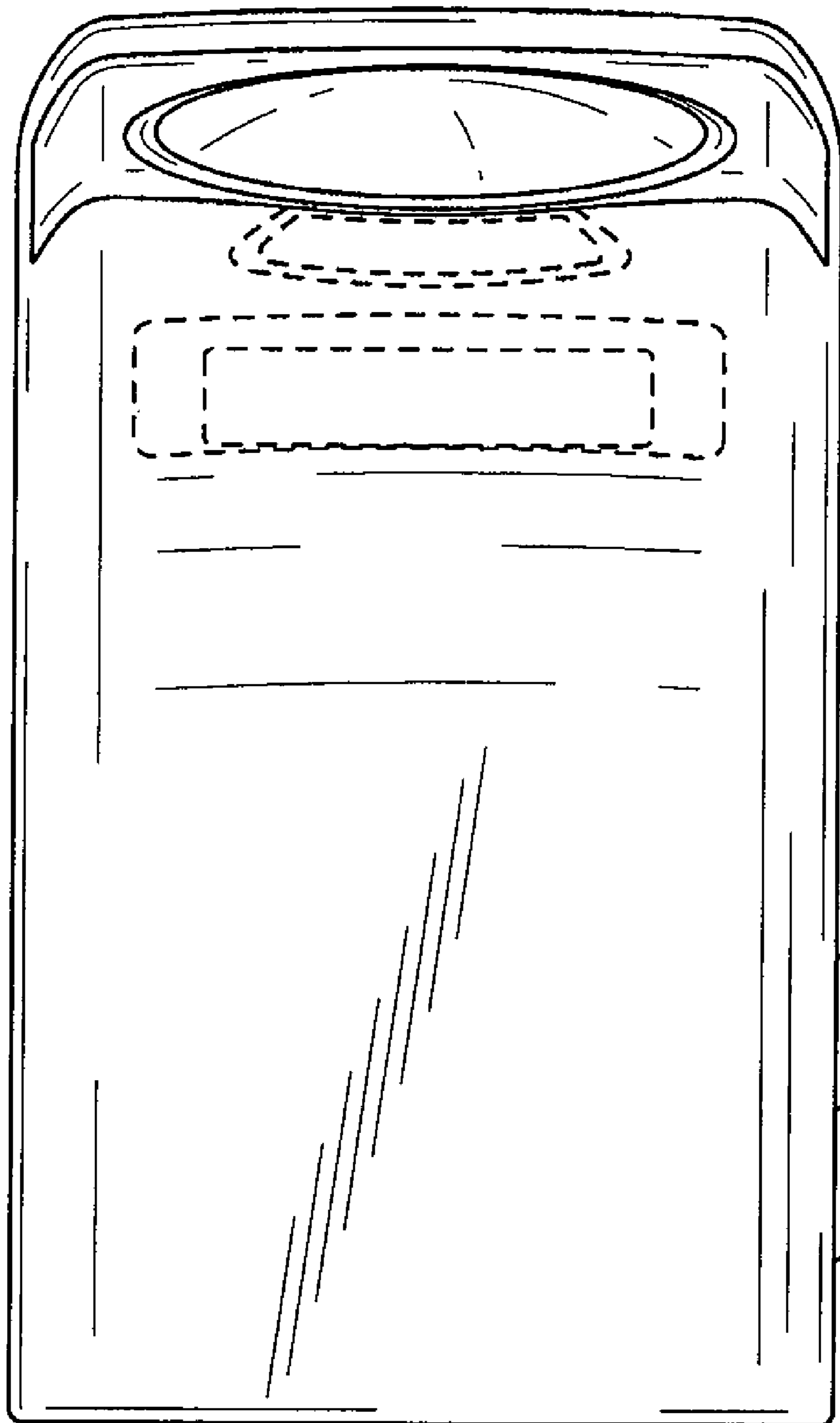


FIG.3

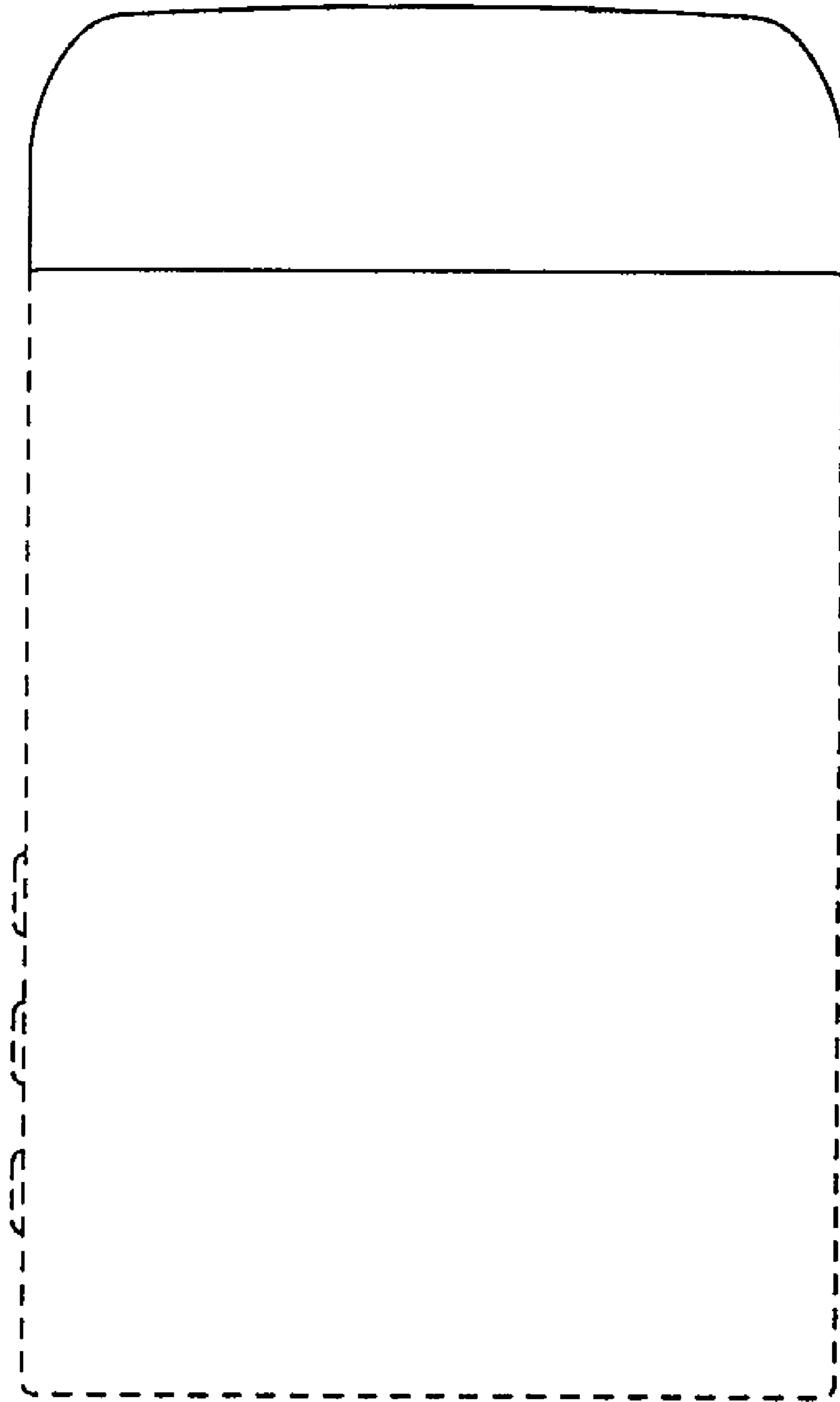


FIG.4

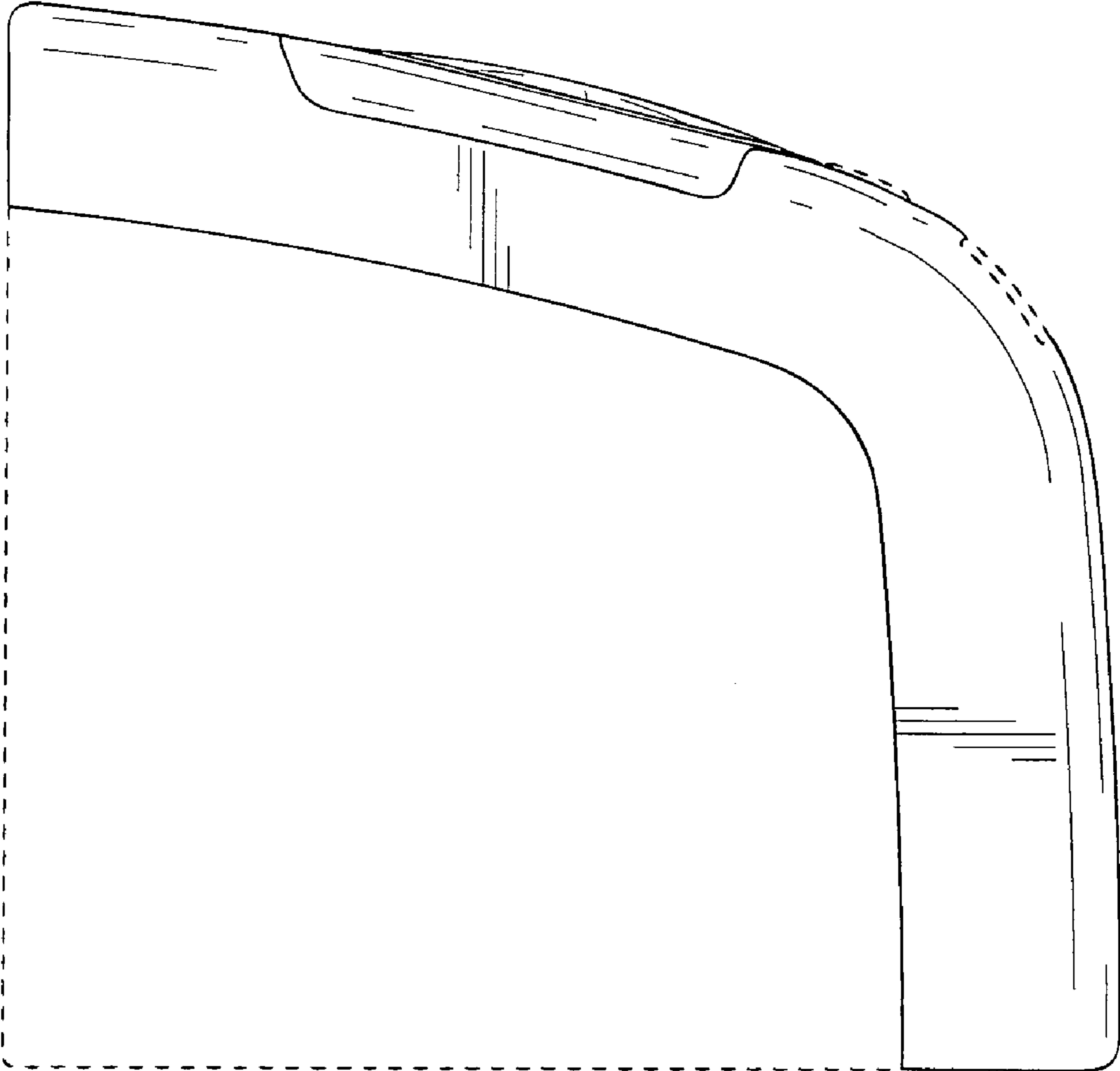


FIG.5

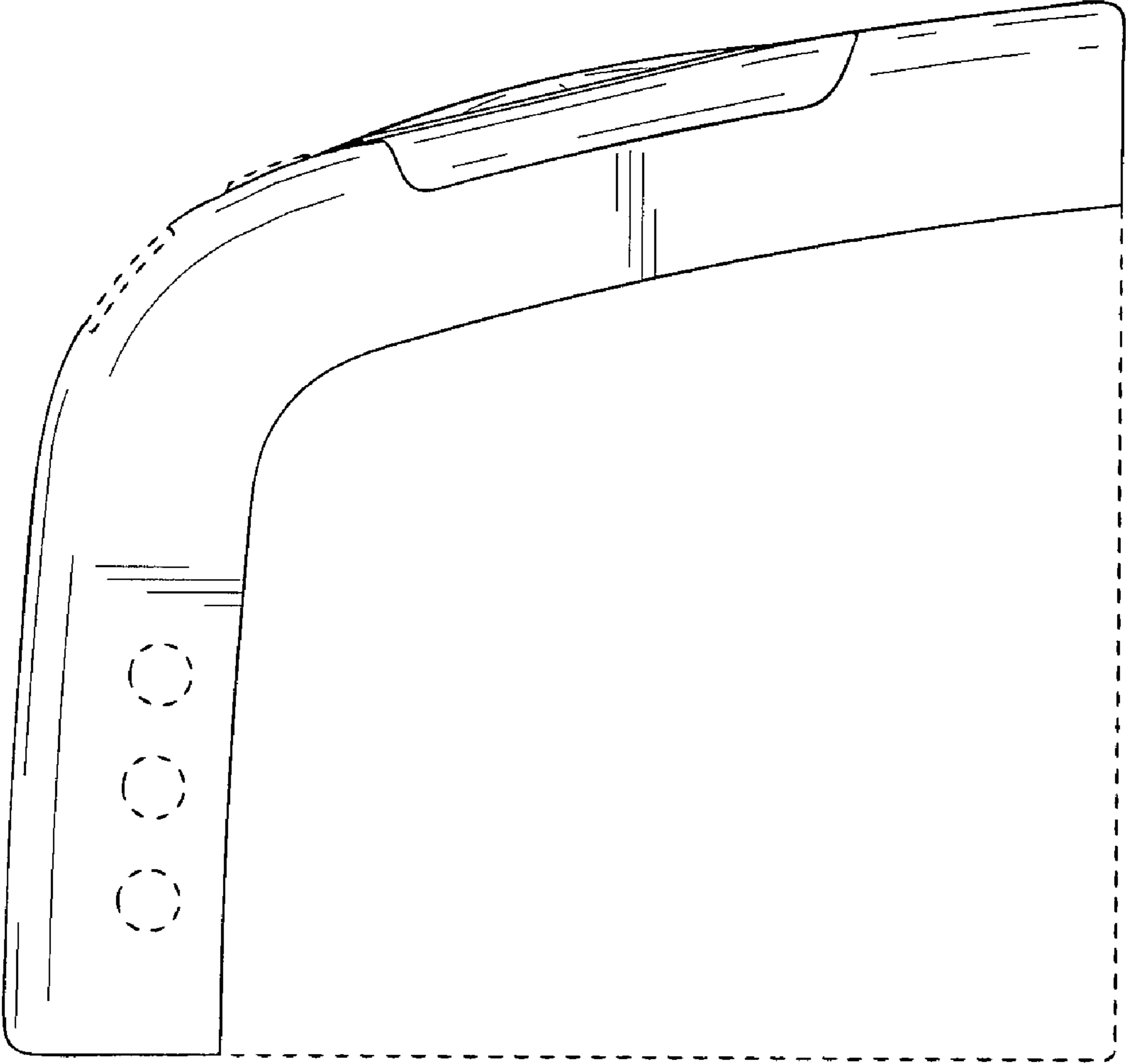


FIG.6

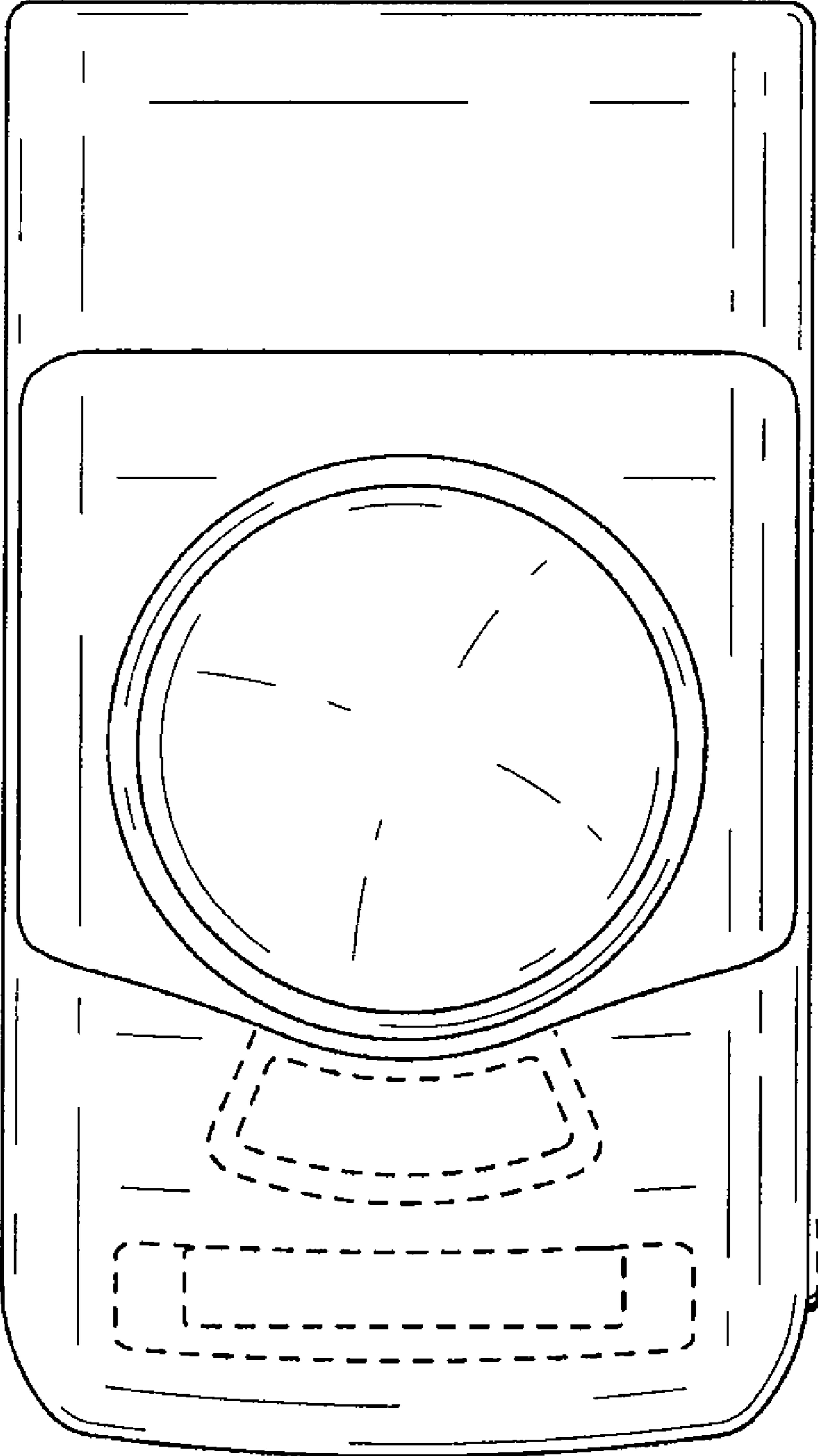


FIG.7

