



US00D581820S

(12) **United States Design Patent**  
**McEwan et al.**

(10) **Patent No.:** **US D581,820 S**  
(45) **Date of Patent:** **\*\* Dec. 2, 2008**

(54) **PORTION OF A TAPE CASE**

D441,671 S 5/2001 Hsu

(75) Inventors: **Sean Michael McEwan**, Raleigh, NC  
(US); **Brian D. Westbrook**, Raleigh, NC  
(US)

(Continued)

**OTHER PUBLICATIONS**

(73) Assignee: **Cooper Brands, Inc**, Houston, TX (US)

www.cooperhandtools.com, Lufkin Fiberglass Long Tapes ProSeries, © 2000-2005.

www.cooperhandtools.com, Lufkin Fiberglass Long Tapes Hi-Viz® Linear, © 2000-2005.

(\*\*) Term: **14 Years**

(21) Appl. No.: **29/320,267**

*Primary Examiner*—Antoine D Davis

(74) *Attorney, Agent, or Firm*—SAIDMAN DesignLaw Group

(22) Filed: **Jun. 24, 2008**

**Related U.S. Application Data**

(62) Division of application No. 29/285,272, filed on Mar. 26, 2007, now Pat. No. Des. 572,614.

(57) **CLAIM**

The ornamental design for a portion of a tape case, as shown and described.

(51) **LOC (8) Cl.** ..... **10-04**

(52) **U.S. Cl.** ..... **D10/72**

(58) **Field of Classification Search** ..... D10/72;  
33/755-771; 242/292, 381.1-381.6  
See application file for complete search history.

**DESCRIPTION**

FIG. 1 is a perspective view of a first embodiment of a portion of a tape case showing our new design;

FIG. 2 is a front view thereof;

FIG. 3 is a back view thereof;

FIG. 4 is a left side view thereof;

FIG. 5 is a right side view thereof;

FIG. 6 is a top view thereof;

FIG. 7 is a bottom view thereof;

FIG. 8 is a perspective view of a second embodiment thereof;

FIG. 9 is a front view thereof;

FIG. 10 is a back view thereof;

FIG. 11 is a left side view thereof;

FIG. 12 is a right side view thereof;

FIG. 13 is a top view thereof; and,

FIG. 14 is a bottom view thereof.

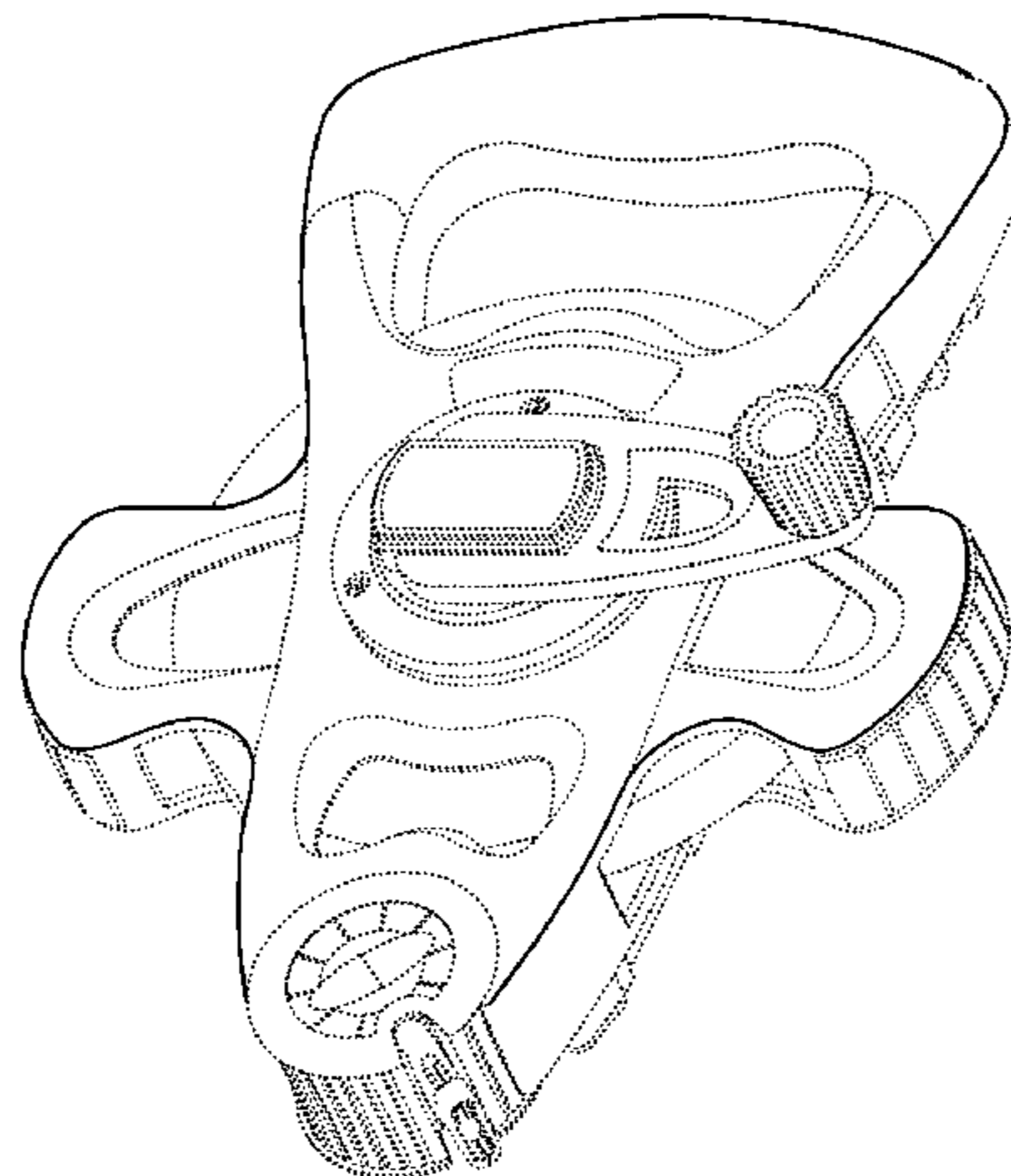
The broken line showing of structural lines is included for the purpose of illustrating non-claimed subject matter and forms no part of the claimed design.

(56) **References Cited**

**U.S. PATENT DOCUMENTS**

D178,567 S	8/1956	Holscher
D208,066 S	7/1967	Collura et al.
D310,043 S	8/1990	Kang
D311,697 S	10/1990	Kang
D322,943 S	1/1992	Sun
D324,346 S	3/1992	Ogasawara
D341,329 S	11/1993	Morris
D351,561 S	10/1994	Moffatt et al.
D365,769 S	1/1996	Kang
D377,911 S	2/1997	Ogasawara
D396,012 S	7/1998	Walsten
D398,870 S	9/1998	Konen et al.
D408,749 S	4/1999	Walsten
D410,859 S	6/1999	Hioki
D418,765 S	1/2000	Martone et al.
D422,227 S	4/2000	Lin
D423,380 S	4/2000	Kram
D430,047 S	8/2000	Martone et al.
D431,480 S	10/2000	Walsten et al.

**1 Claim, 10 Drawing Sheets**



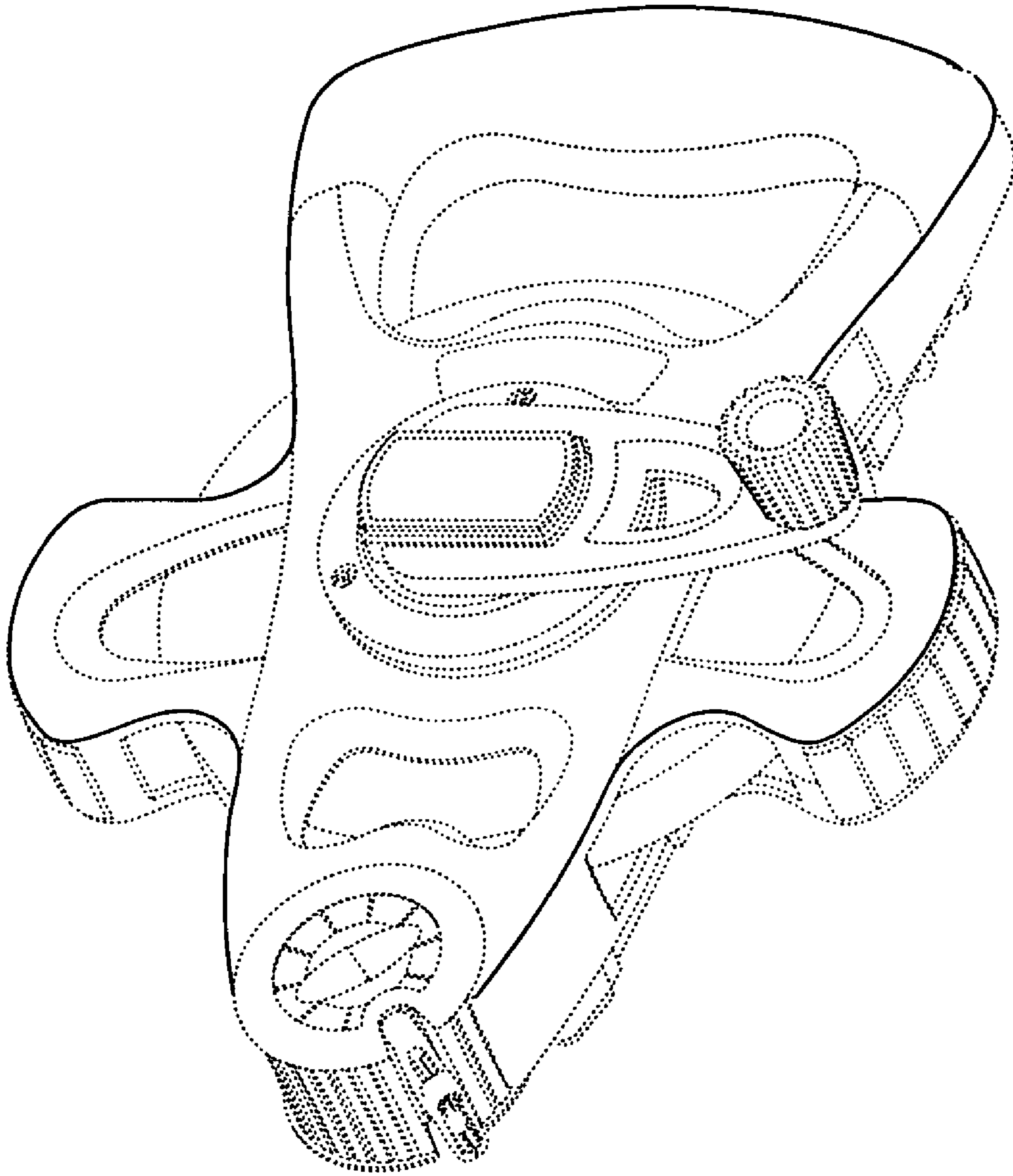
# US D581,820 S

Page 2

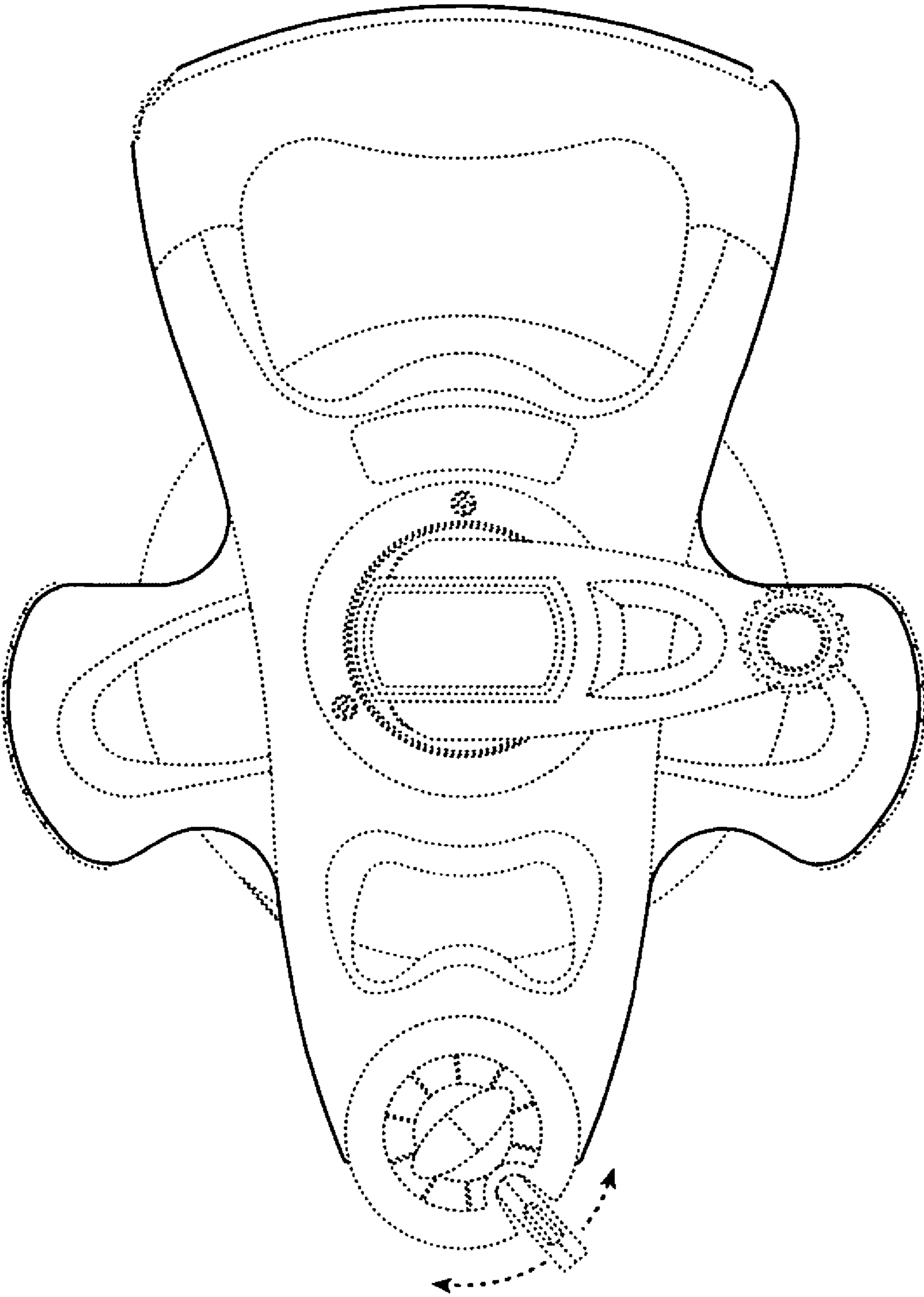
---

U.S. PATENT DOCUMENTS					
D453,480 S	2/2002	Stocker et al.	6,622,396 B2 *	9/2003	Salazar ..... 33/758
D457,448 S	5/2002	Olson	D489,012 S	4/2004	Olson
D466,423 S	12/2002	Kram	D490,330 S	5/2004	Konen
D478,292 S	8/2003	Hsu	D524,666 S *	7/2006	Huang ..... D10/72

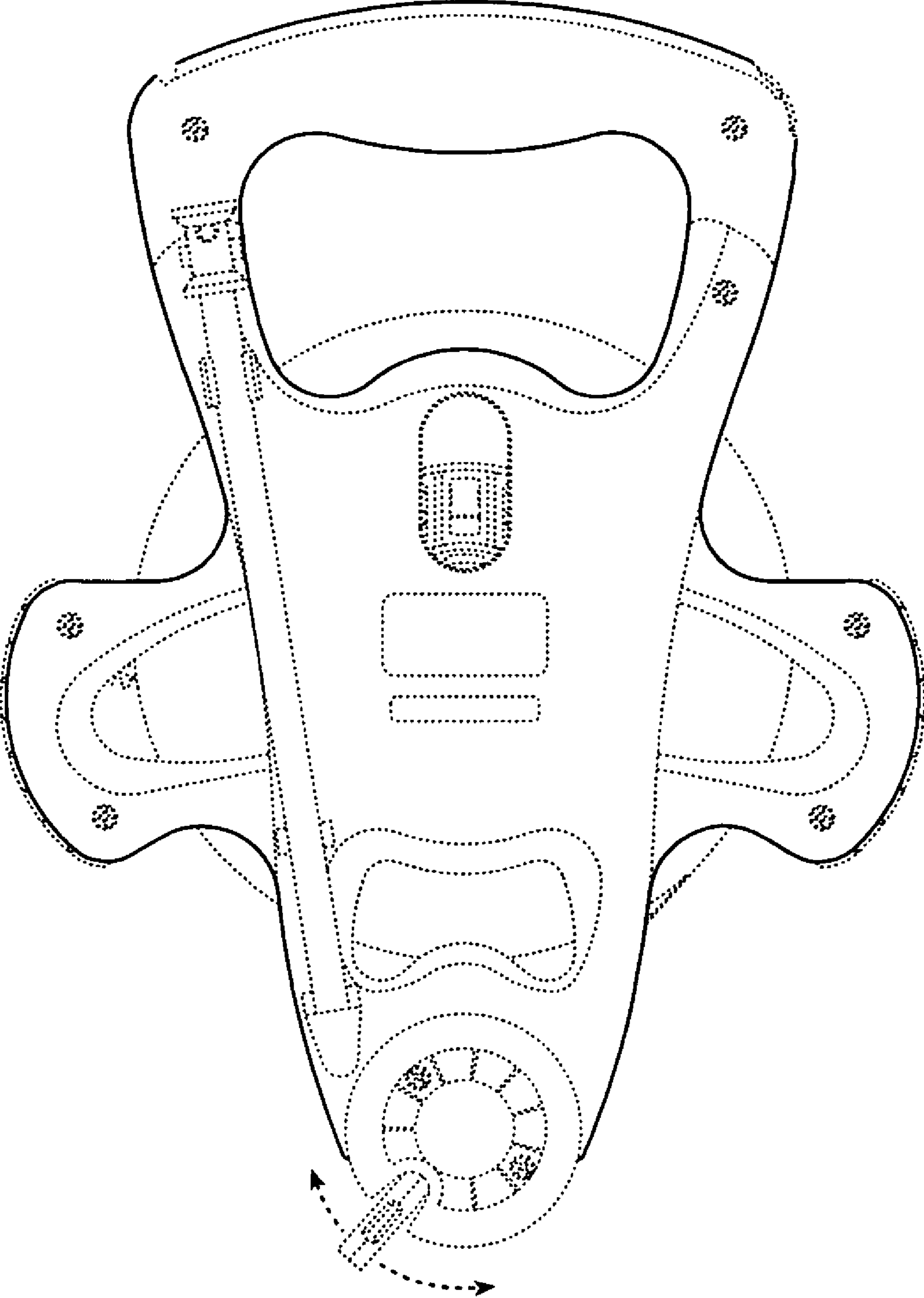
\* cited by examiner



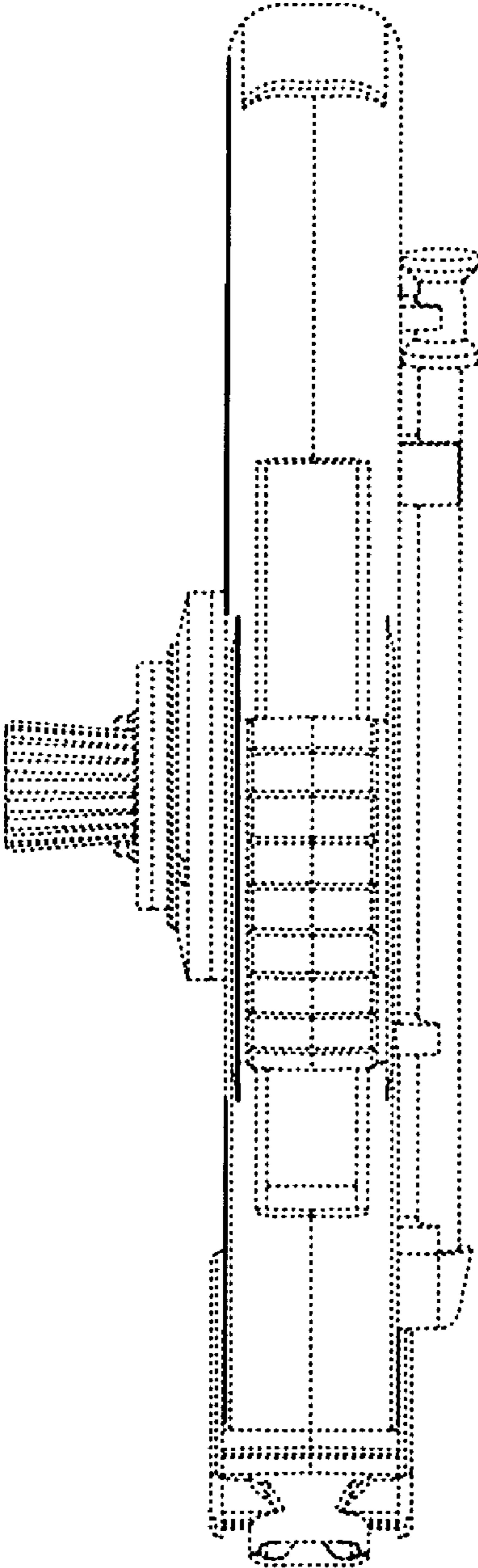
**Fig. 1**



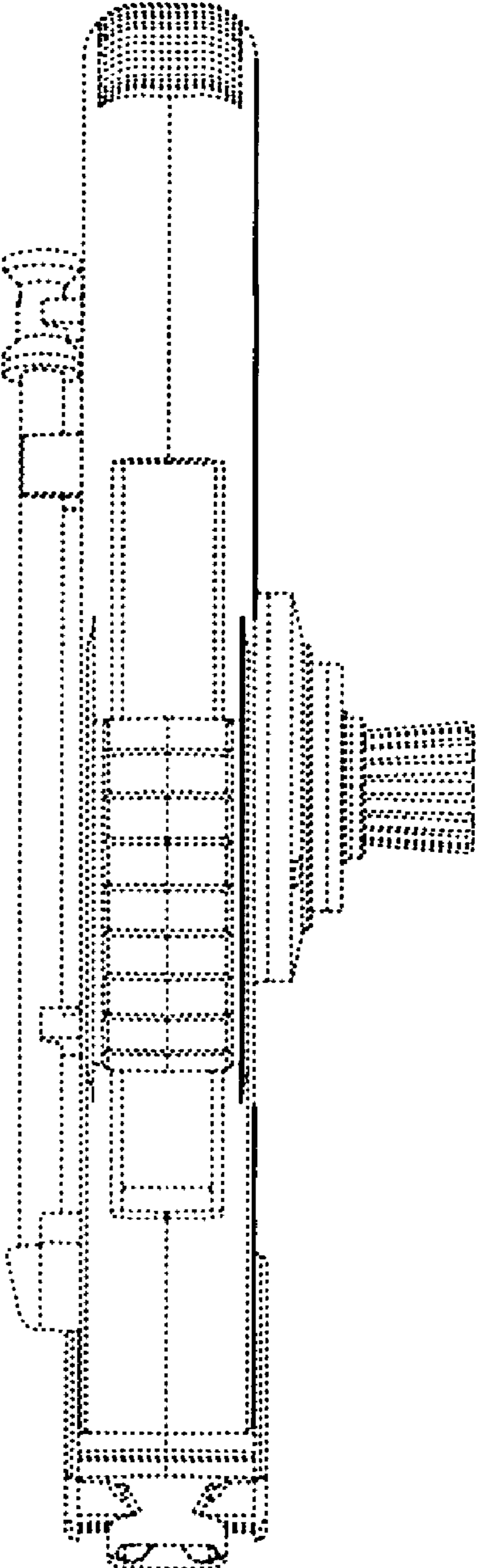
**Fig. 2**



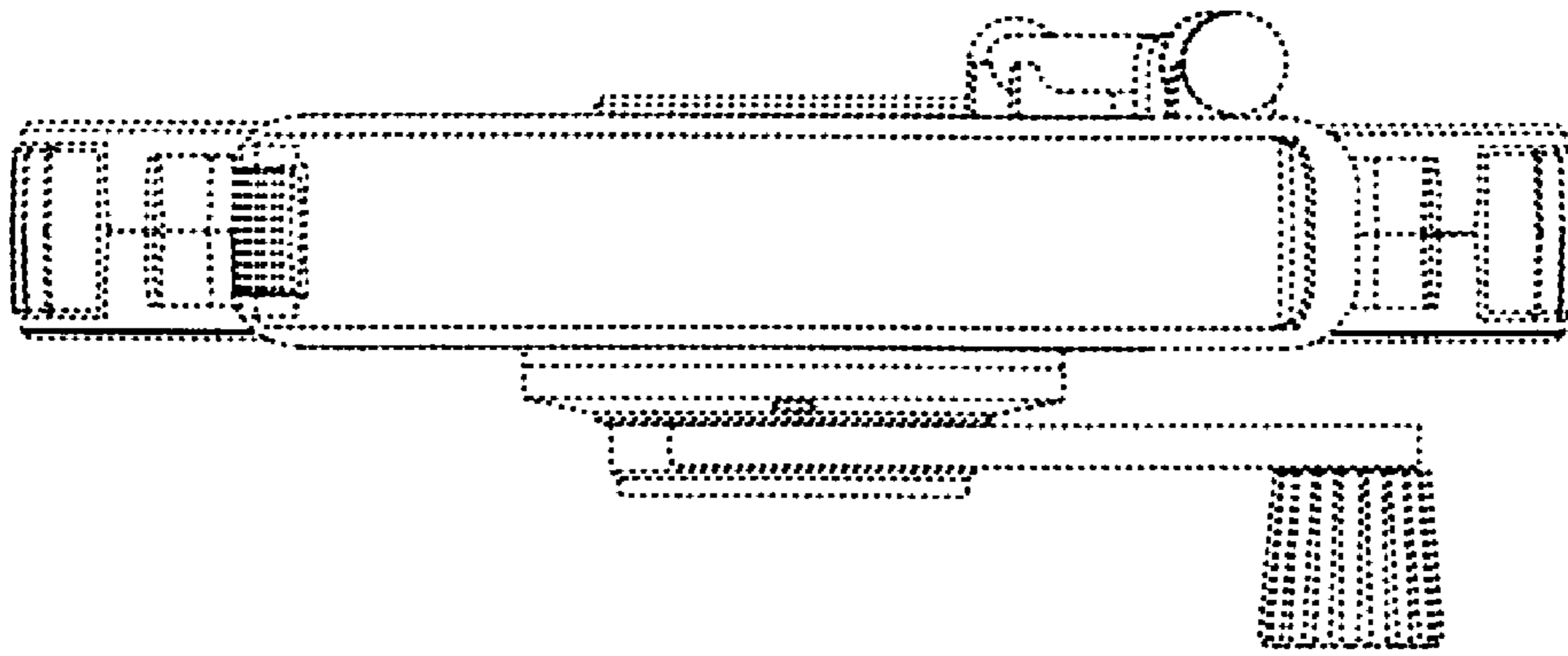
**Fig. 3**



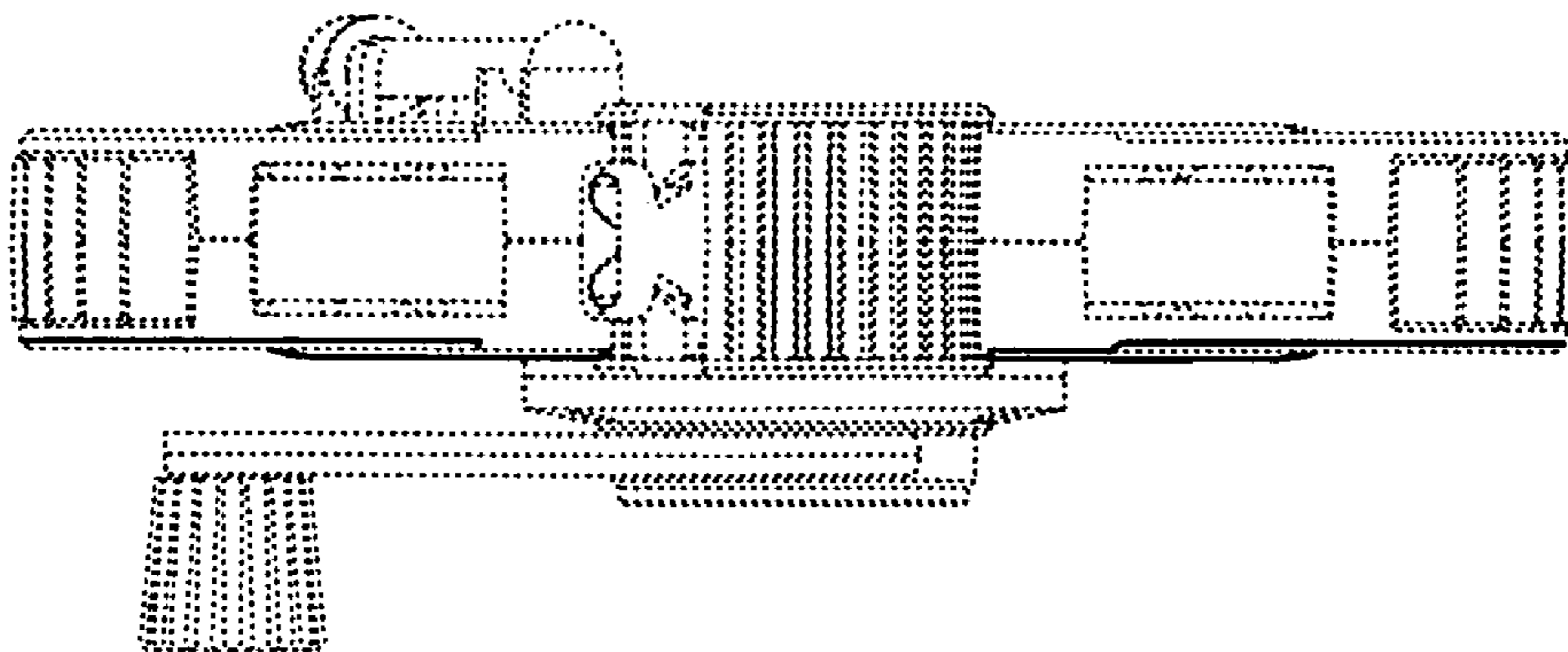
**Fig. 4**



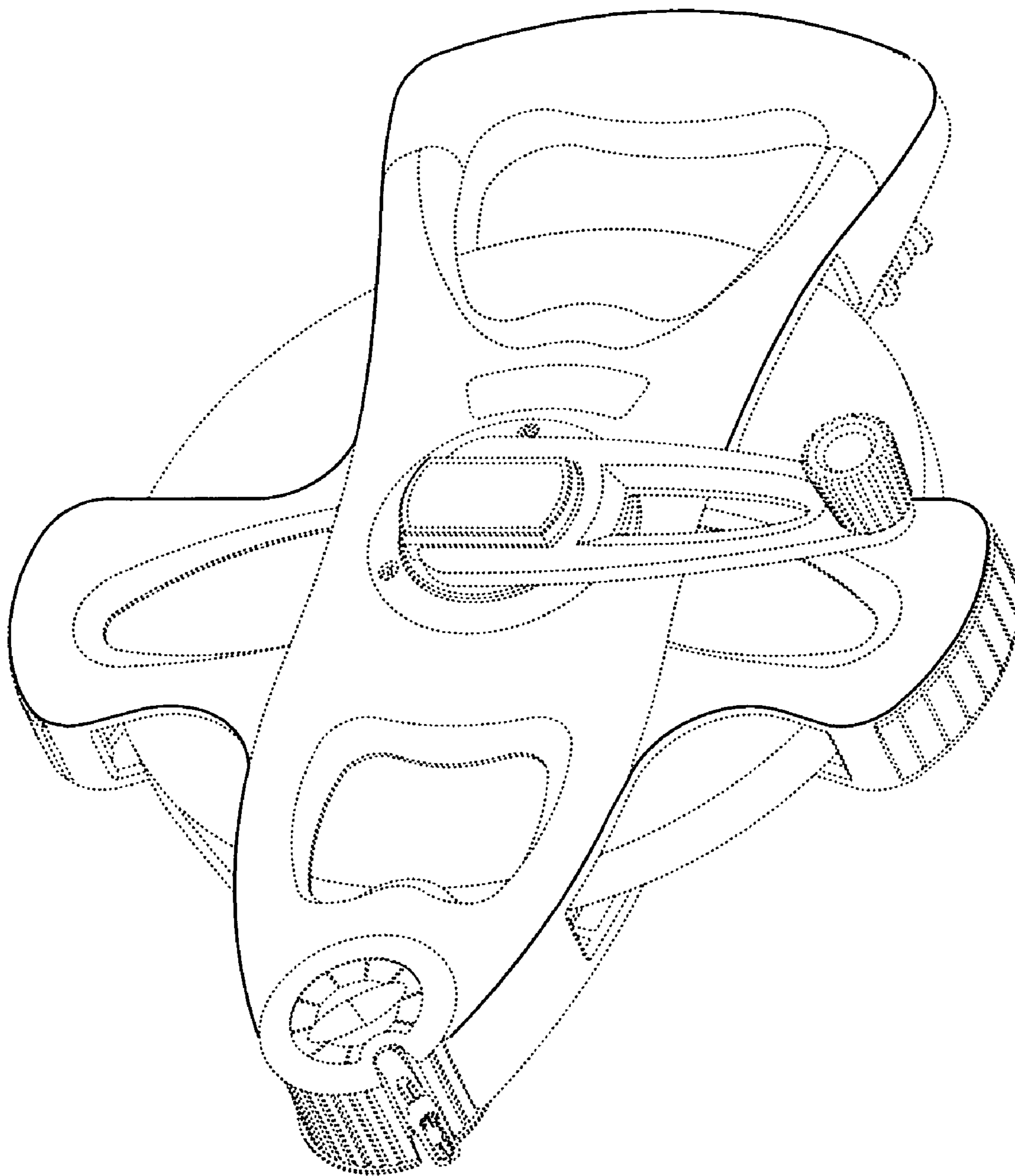
**Fig. 5**



**Fig. 6**

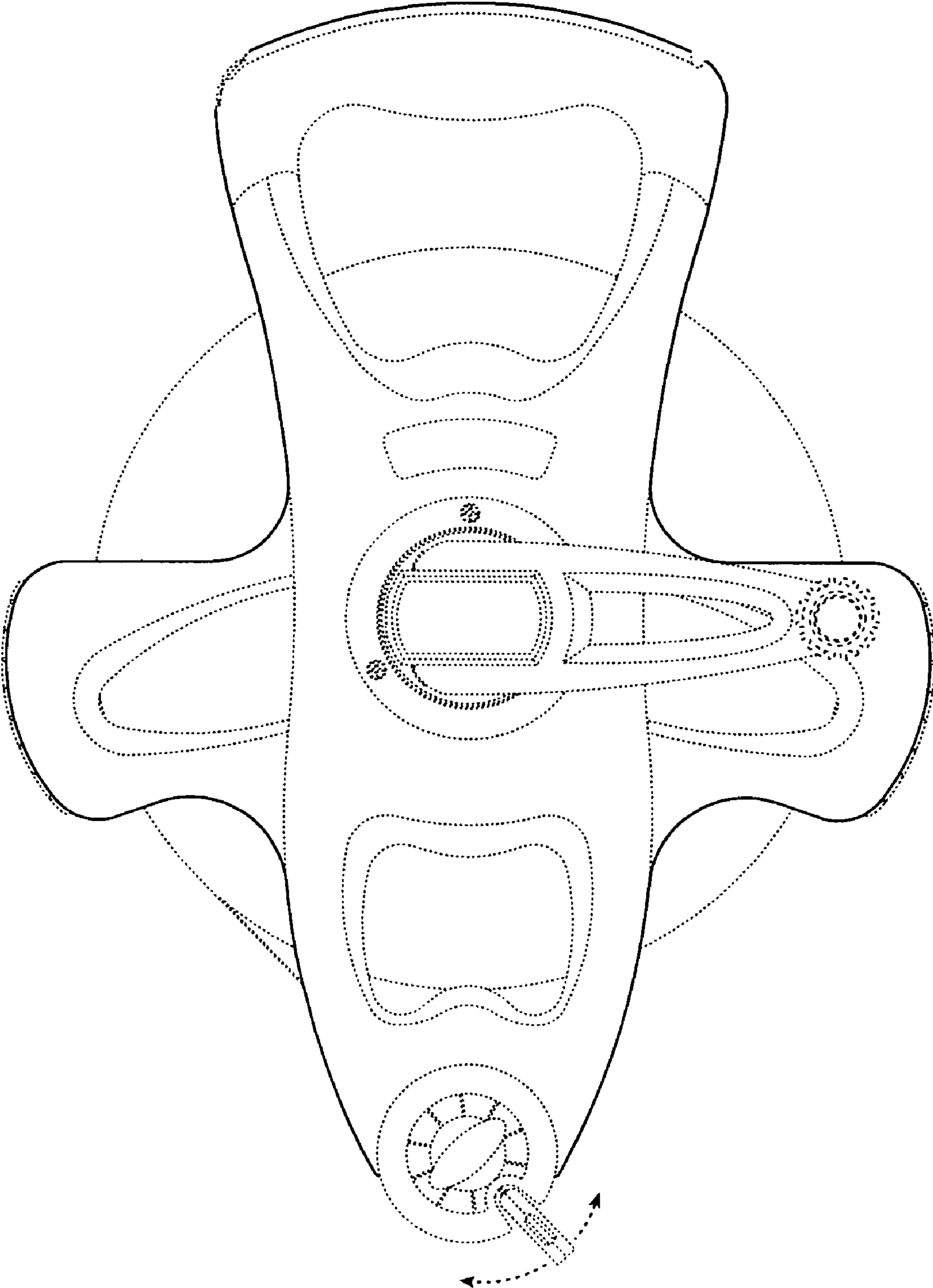


**Fig. 7**

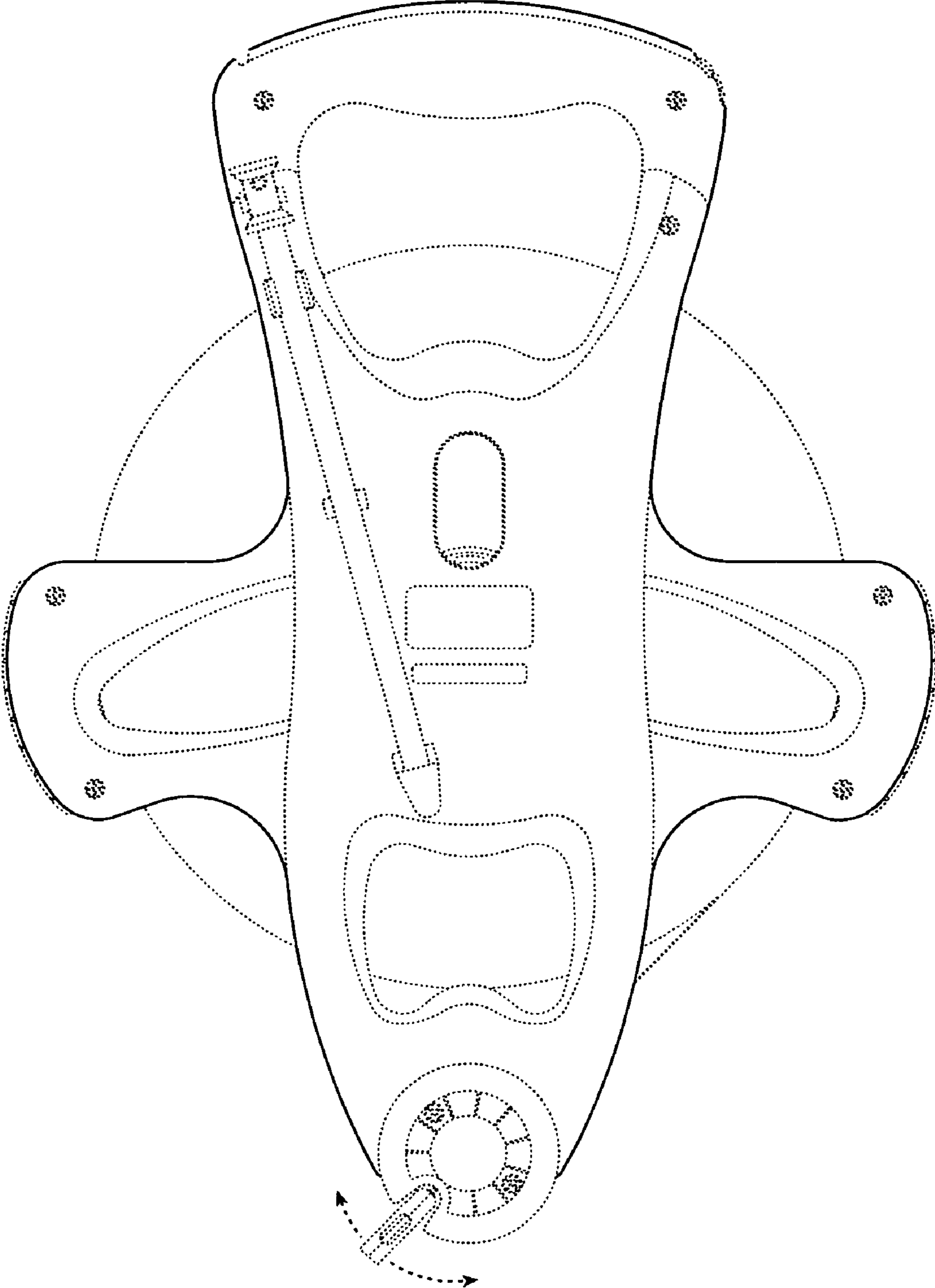


**Fig. 8**

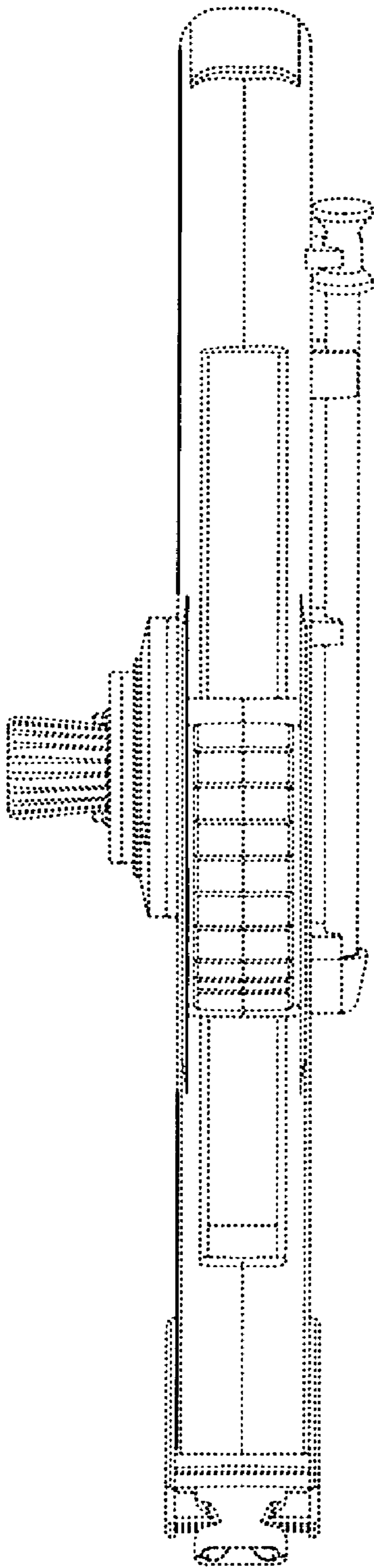




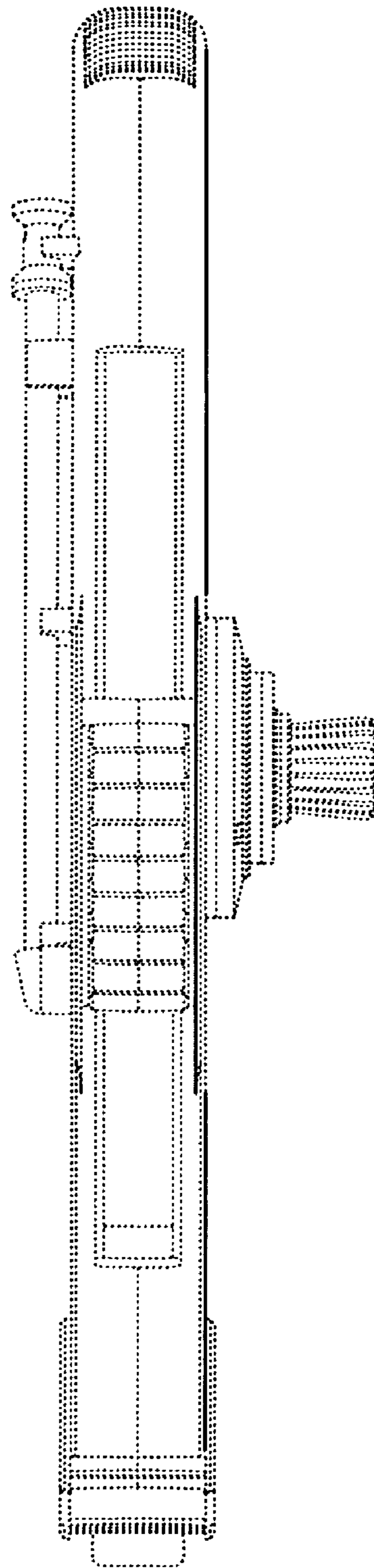
**Fig. 9**



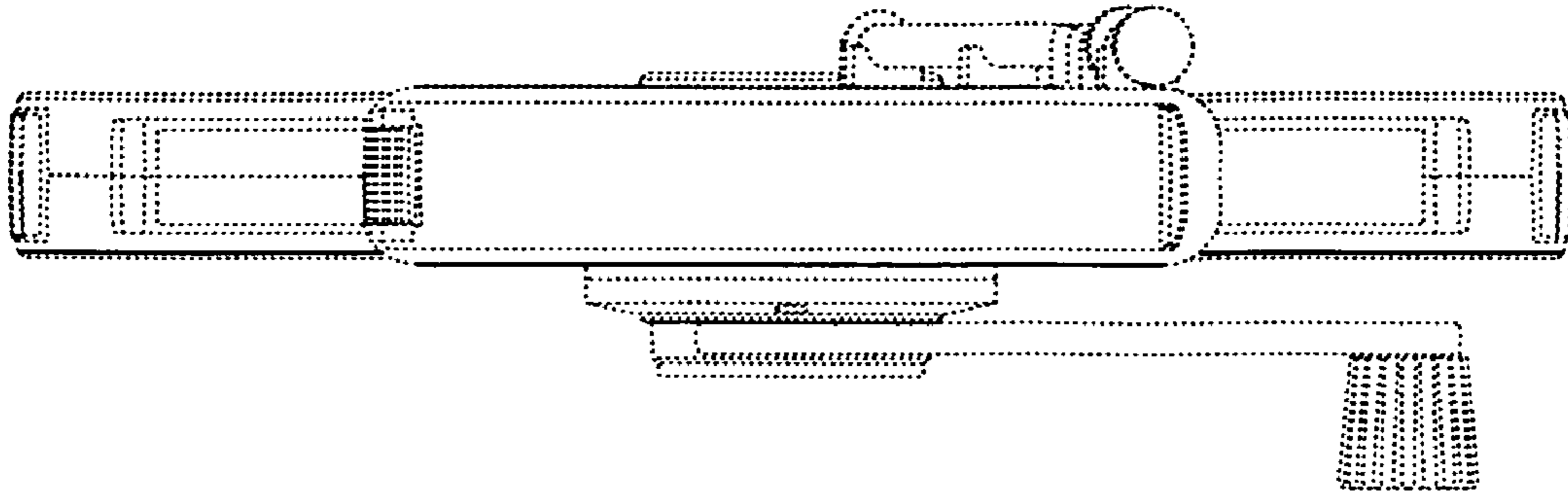
**Fig. 10**



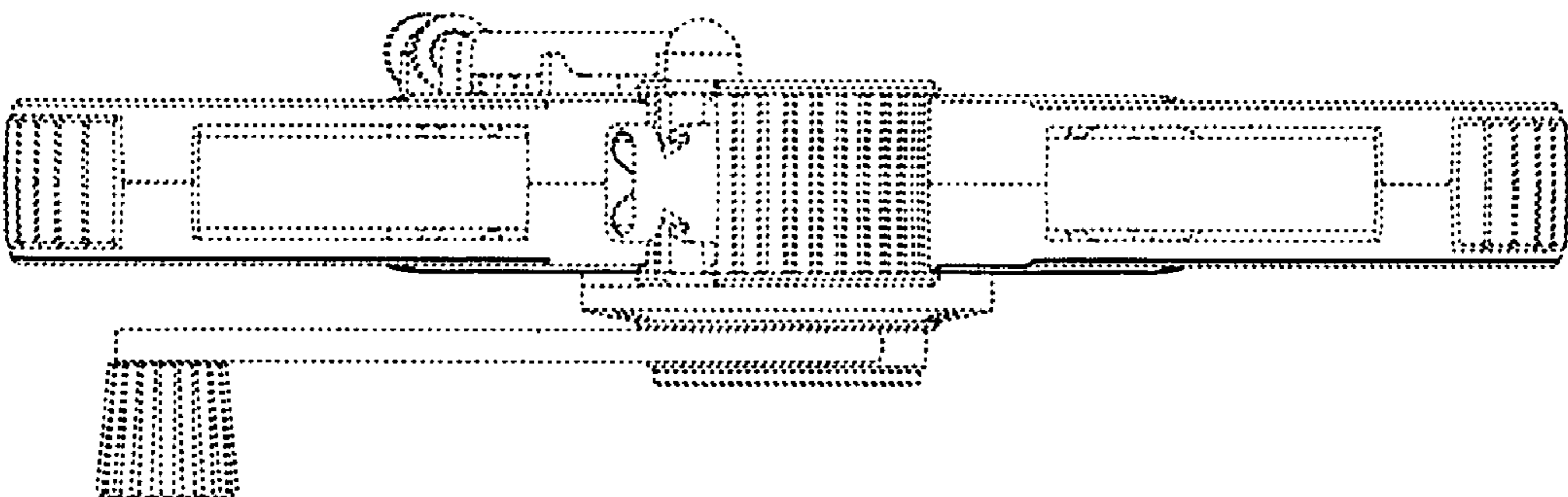
**Fig. 11**



**Fig. 12**



**Fig. 13**



**Fig. 14**