



US00D581819S

(12) **United States Design Patent**
Banba et al.

(10) **Patent No.:** **US D581,819 S**
(45) **Date of Patent:** **** Dec. 2, 2008**

(54) **AUTOMATIC LEVELING LASER MARKING INSTRUMENT**

D504,831 S * 5/2005 Snider D10/69
D563,247 S * 3/2008 Ishii D10/66
7,392,592 B2 * 7/2008 Bublitz et al. 33/290

(75) Inventors: **Yasuyuki Banba**, Isehara (JP); **Steven Qi**, Zhe Jiang (CN)

(73) Assignee: **Sokkia Co., Ltd.**, Atsugi-shi, Kanagawa-ken (JP)

* cited by examiner

Primary Examiner—Antoine D Davis

(**) Term: **14 Years**

(74) *Attorney, Agent, or Firm*—Banner & Witcoff, Ltd.

(21) Appl. No.: **29/299,090**

(57) **CLAIM**

(22) Filed: **Dec. 19, 2007**

The ornamental design for an automatic leveling laser marking instrument, as shown and described.

(30) **Foreign Application Priority Data**

Jun. 19, 2007 (JP) 2007-016308

DESCRIPTION

(51) **LOC (8) Cl.** **10-04**

(52) **U.S. Cl.** **D10/66; D10/69**

(58) **Field of Classification Search** D10/66, D10/69; 33/276, 277, 281, 285, 286, 290, 33/291–299, DIG. 21; 340/539, 825.36, 340/825.46, 825.49; 356/5.15, 4.01, 5.01, 356/4.05, 5.05–5.09, 5.12, 28.5, 345, 375, 356/3.01, 128–155, 399–400; 385/83, 97–99, 385/134–139; 701/211–213, 150, 158; 264/1.24–1.25
See application file for complete search history.

FIG. 1 is a front, top and left side perspective view of an automatic leveling laser marking instrument, showing our new design;

FIG. 2 is a rear, top and right side perspective view thereof;

FIG. 3 is a front elevational view thereof;

FIG. 4 is a rear elevational view thereof;

FIG. 5 is a top plan view thereof;

FIG. 6 is a bottom plan view thereof;

FIG. 7 is a left side elevational view thereof; and,

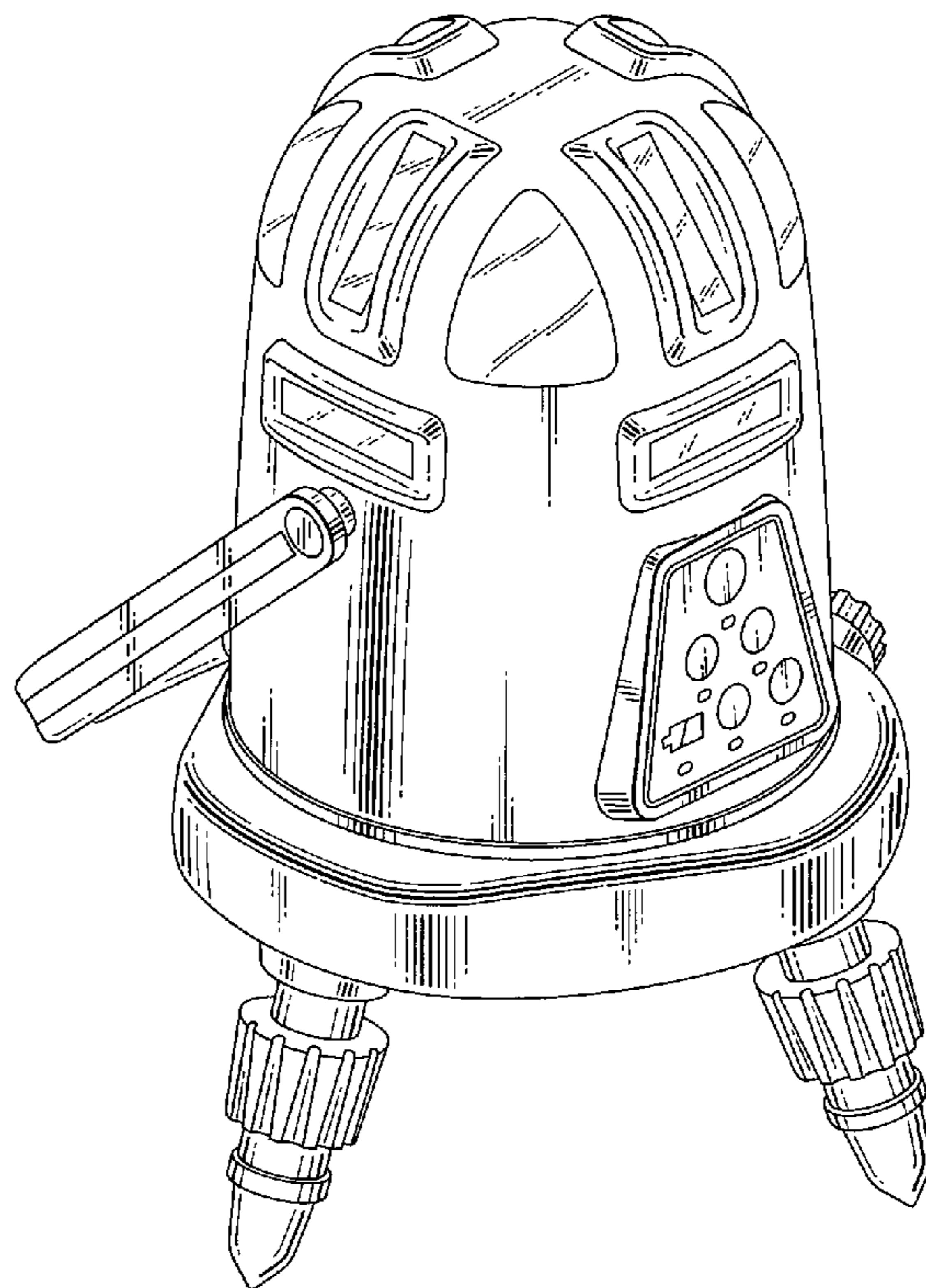
FIG. 8 is a right side elevational view thereof.

(56) **References Cited**

U.S. PATENT DOCUMENTS

D470,424 S * 2/2003 Hand et al. D10/69

1 Claim, 4 Drawing Sheets



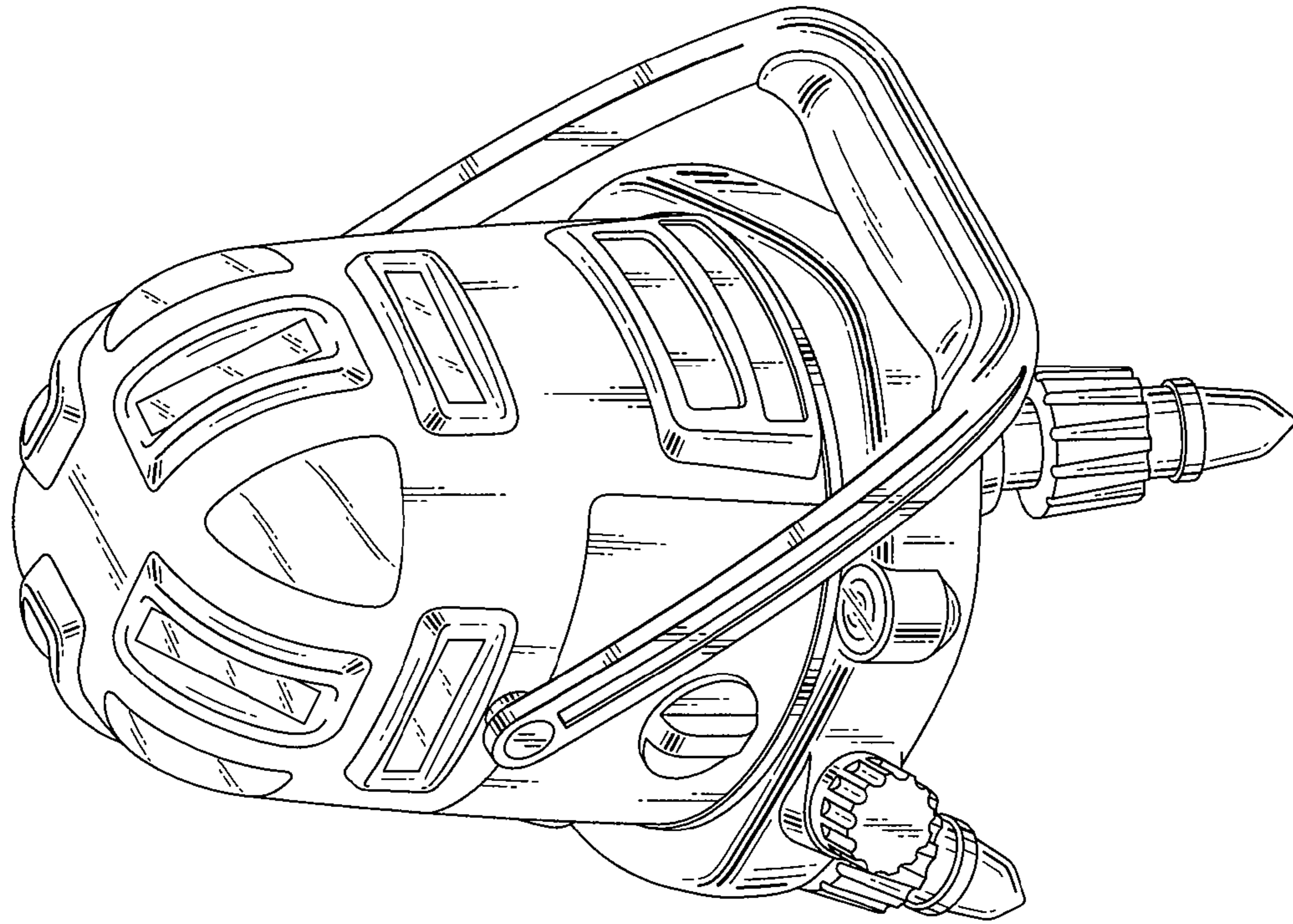


FIG. 1

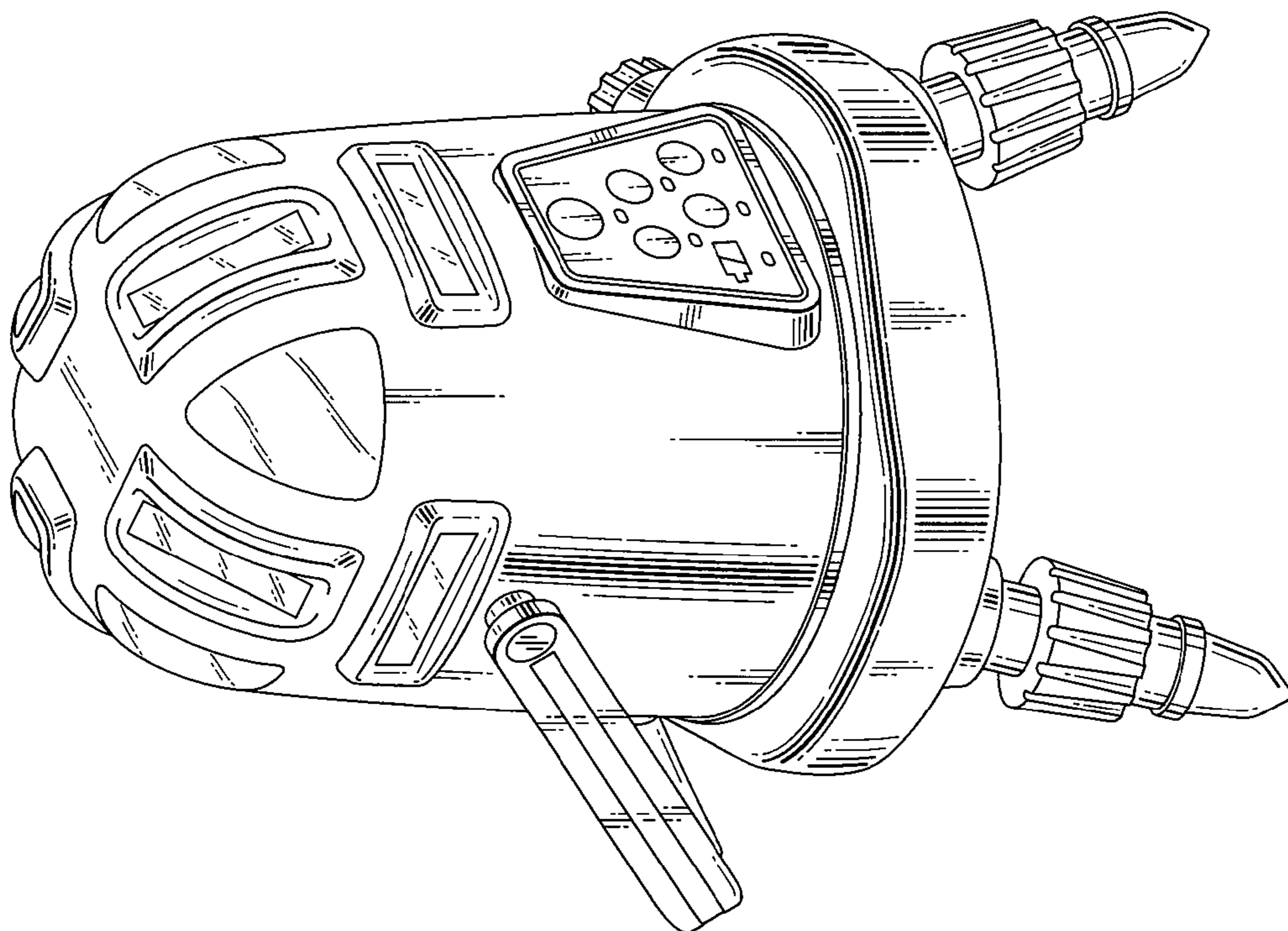


FIG. 2

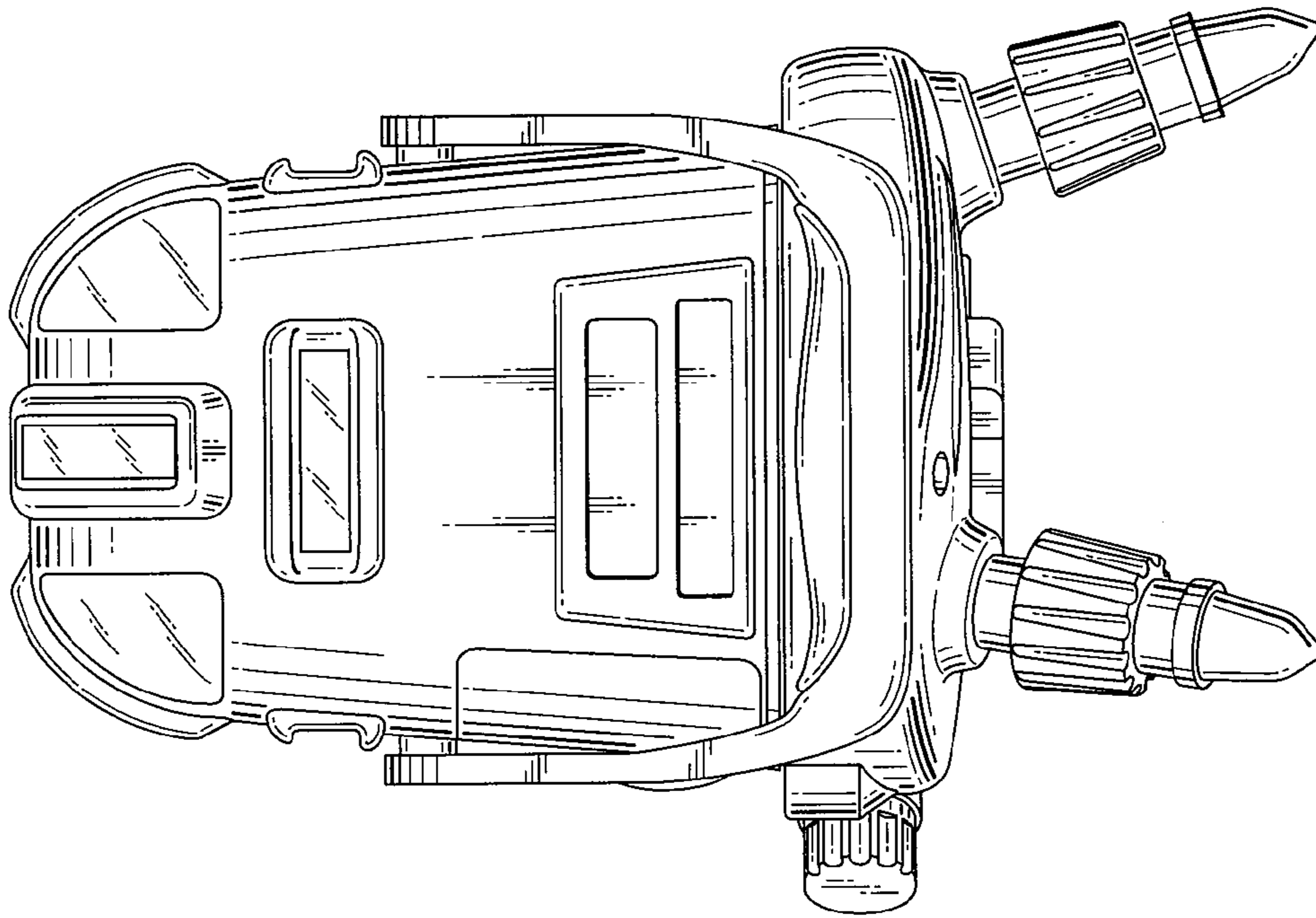


FIG.4

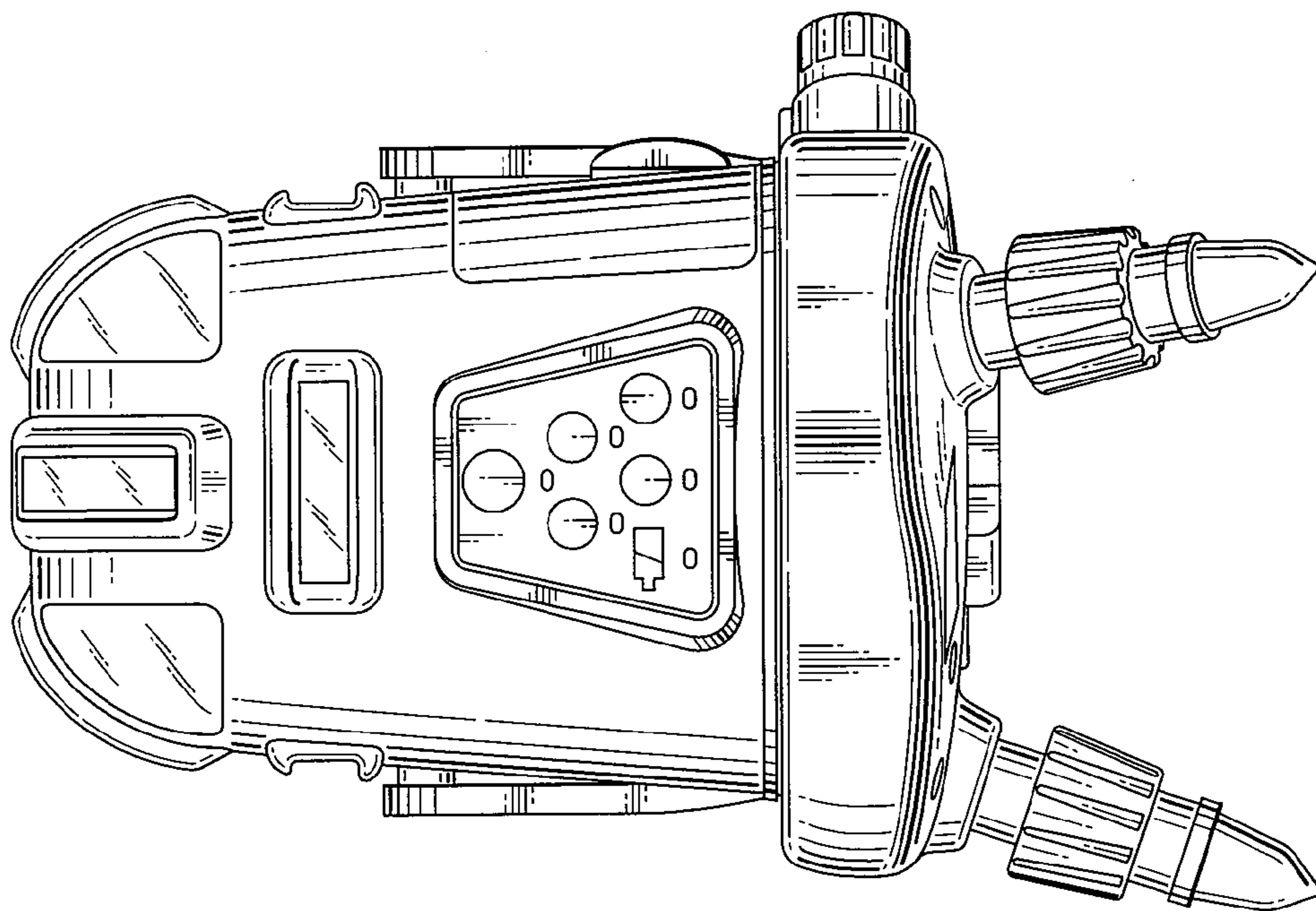


FIG.3

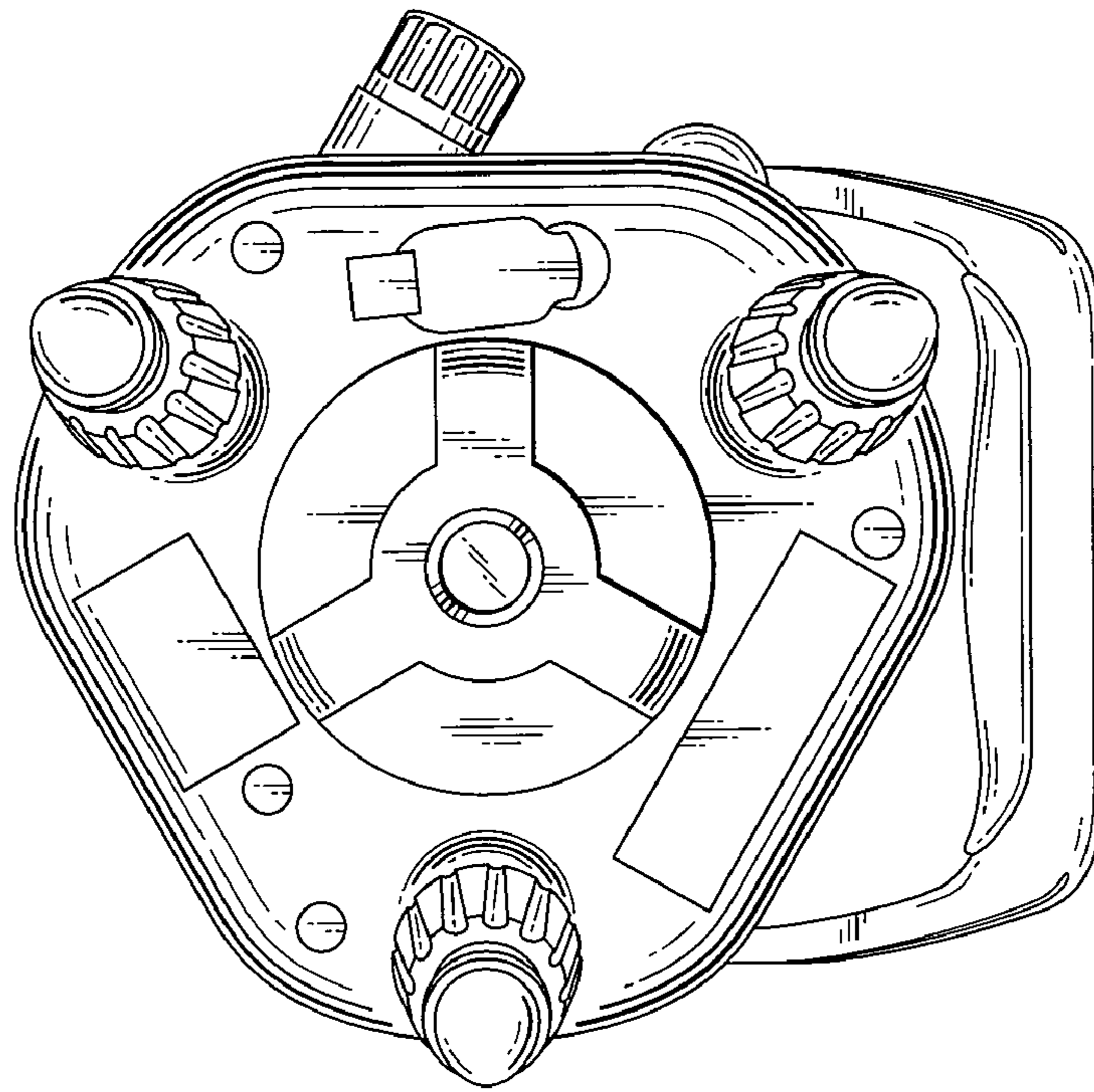


FIG.6

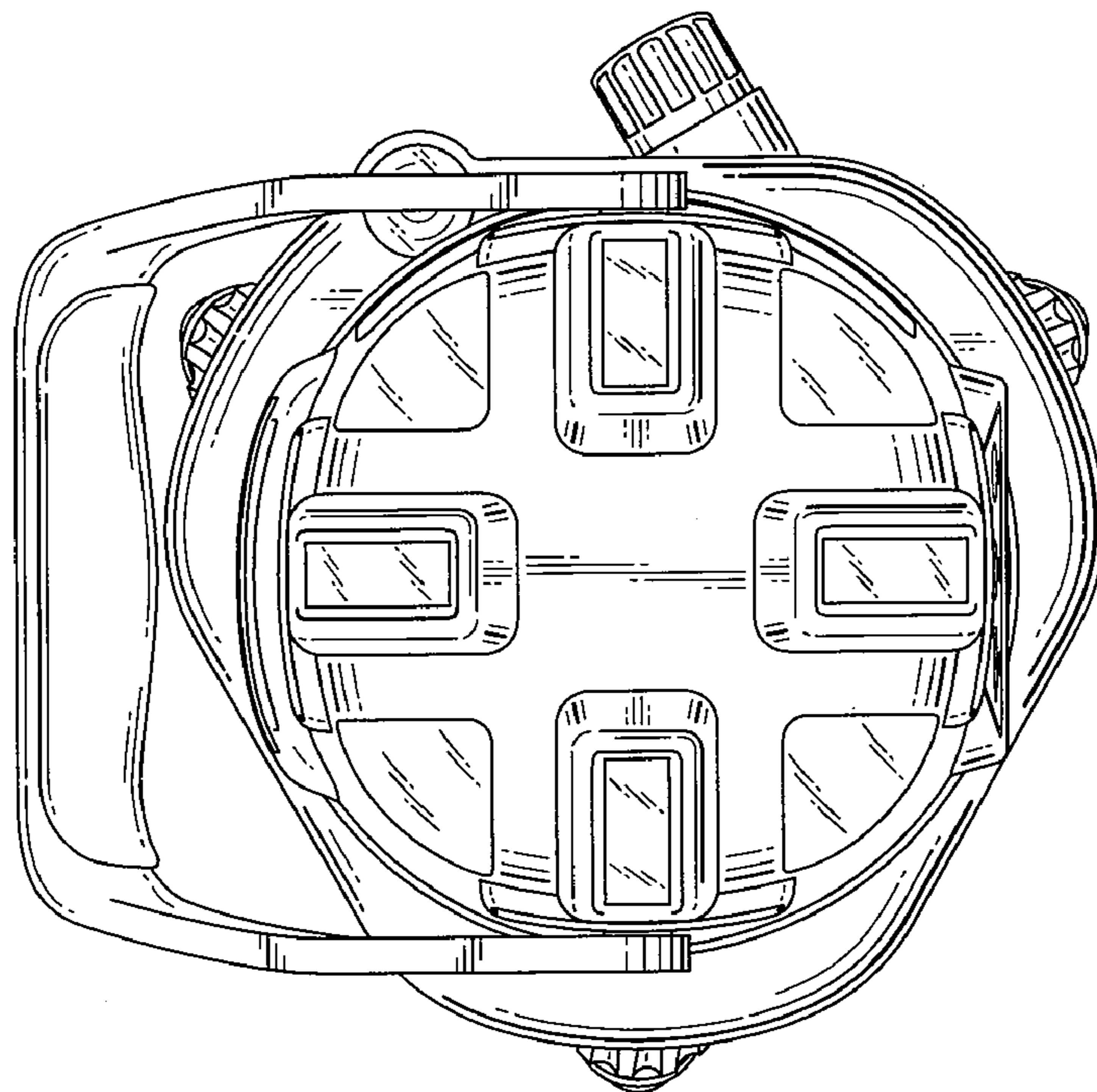


FIG.5

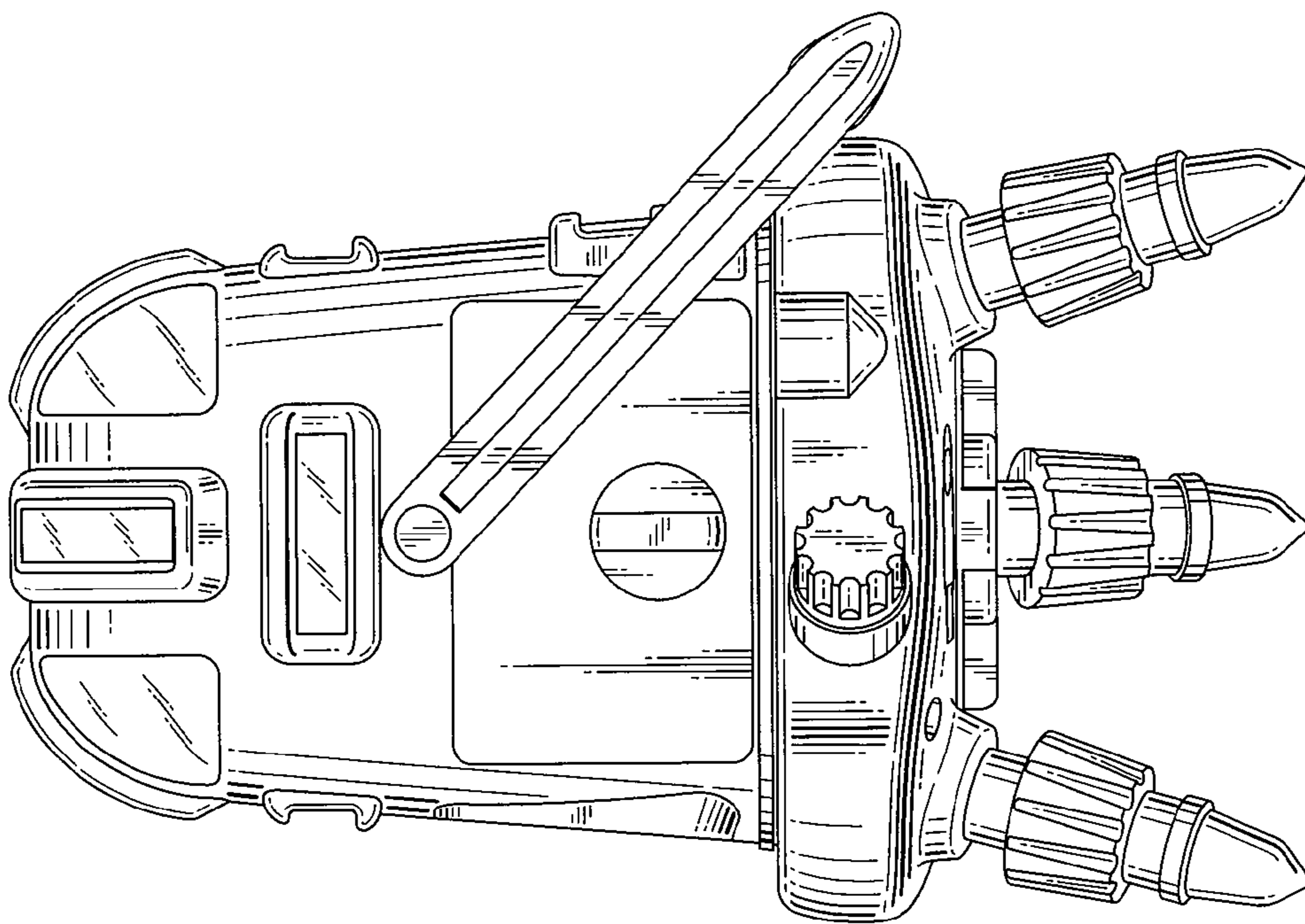


FIG. 8

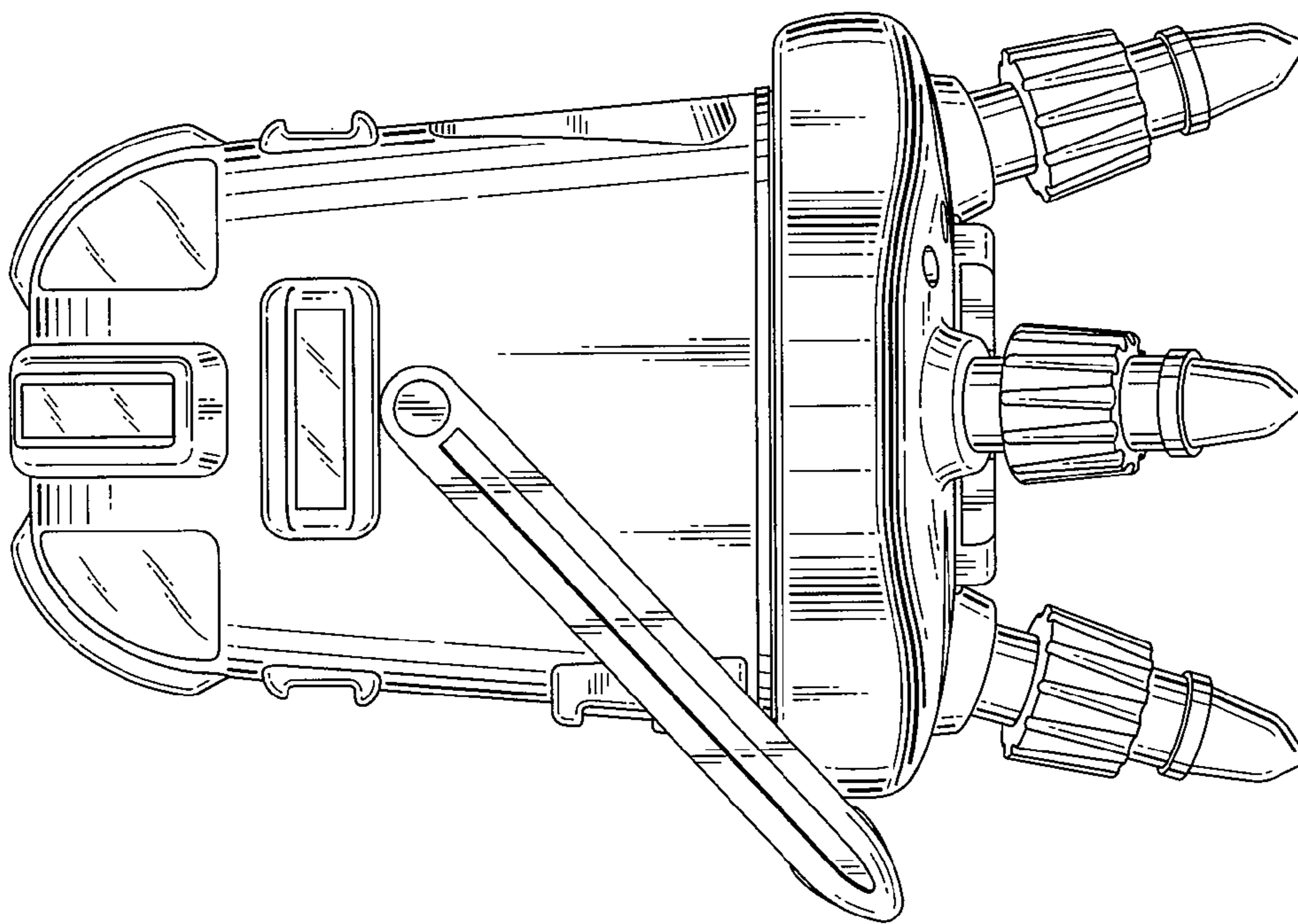


FIG. 7