



US00D581818S

(12) **United States Design Patent**  
**Gretton**

(10) **Patent No.:** **US D581,818 S**

(45) **Date of Patent:** **\*\* Dec. 2, 2008**

(54) **NAVIGATION SYSTEM**

(75) Inventor: **Mark Gretton**, London (GB)

(73) Assignee: **TomTom International BV**, Amsterdam (NL)

(\*\*) Term: **14 Years**

(21) Appl. No.: **29/296,283**

(22) Filed: **Oct. 17, 2007**

(51) **LOC (8) Cl.** ..... **10-04**

(52) **U.S. Cl.** ..... **D10/65**

(58) **Field of Classification Search** ..... D10/65,  
D10/80; D14/347; 342/351, 419, 457, 357.06-357.13;  
343/702; 345/87, 104, 133, 156, 168, 173,  
345/901-905; 348/184, 315, 739; 364/444,  
364/499; 701/214, 206-209, 213  
See application file for complete search history.

(56) **References Cited**

**U.S. PATENT DOCUMENTS**

- D467,512 S \* 12/2002 Miyazaki ..... D10/65
- D514,003 S \* 1/2006 Kim ..... D10/65
- D540,203 S \* 4/2007 Jeon ..... D10/65

- D541,186 S \* 4/2007 Lammers-Meis et al. .... D10/65
- D541,682 S \* 5/2007 Uno ..... D10/65
- D543,876 S \* 6/2007 Kalis et al. .... D10/65
- D544,381 S \* 6/2007 Lammers-Meis et al. .... D10/65
- D562,708 S \* 2/2008 Skelton et al. .... D10/65

\* cited by examiner

*Primary Examiner*—Antoine D Davis

(74) *Attorney, Agent, or Firm*—Epstein Drangel Bazerman & James, LLP

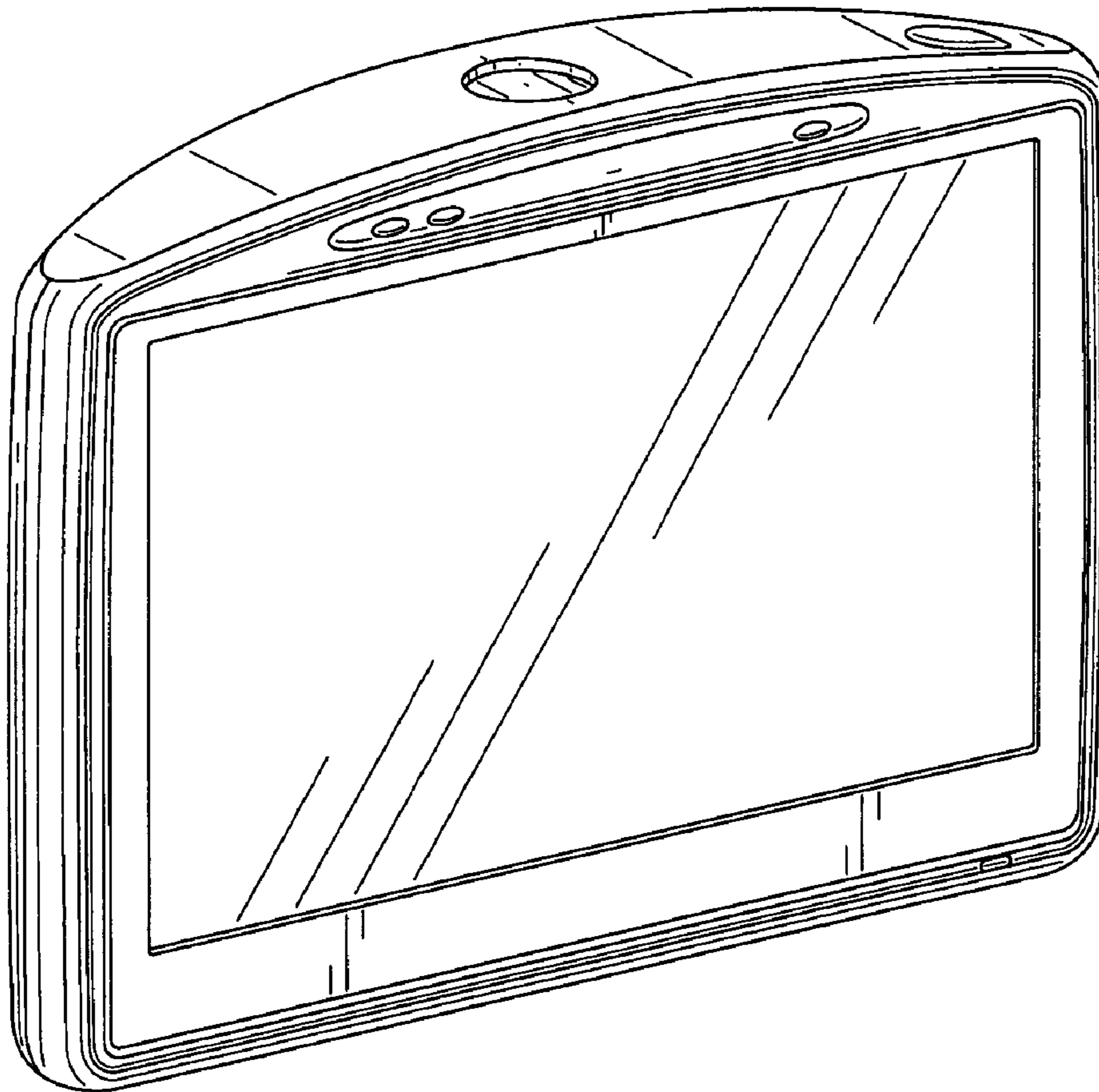
(57) **CLAIM**

The ornamental design for a navigation system, as shown and described.

**DESCRIPTION**

- FIG. 1 illustrates a front perspective view thereof.
- FIG. 2 illustrates a front view thereof.
- FIG. 3 illustrates a rear view thereof.
- FIG. 4 illustrates a side view thereof.
- FIG. 5 illustrates a side view thereof.
- FIG. 6 illustrates a top view thereof; and,
- FIG. 7 illustrates a bottom view thereof.

**1 Claim, 5 Drawing Sheets**



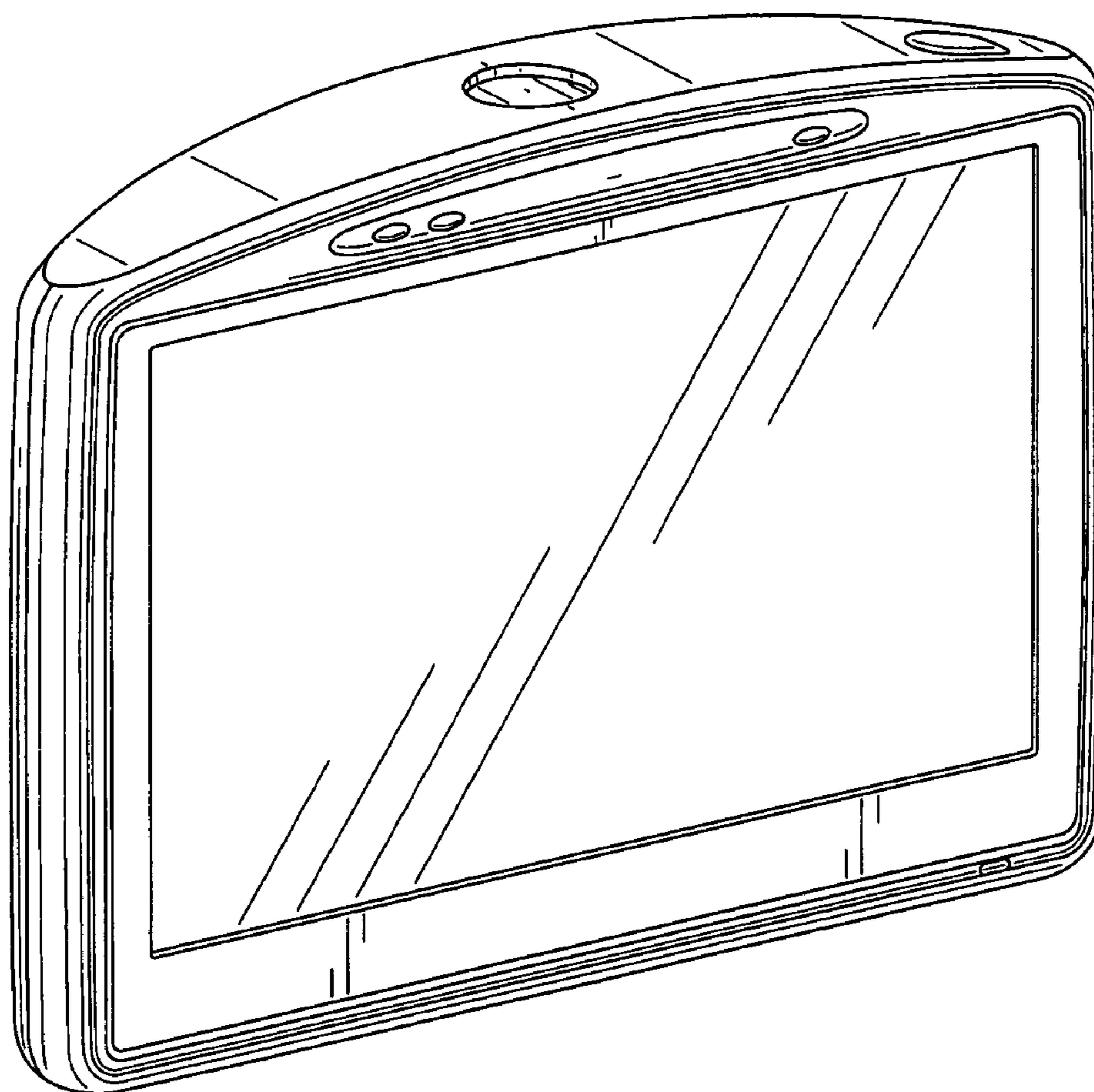


FIG. 1

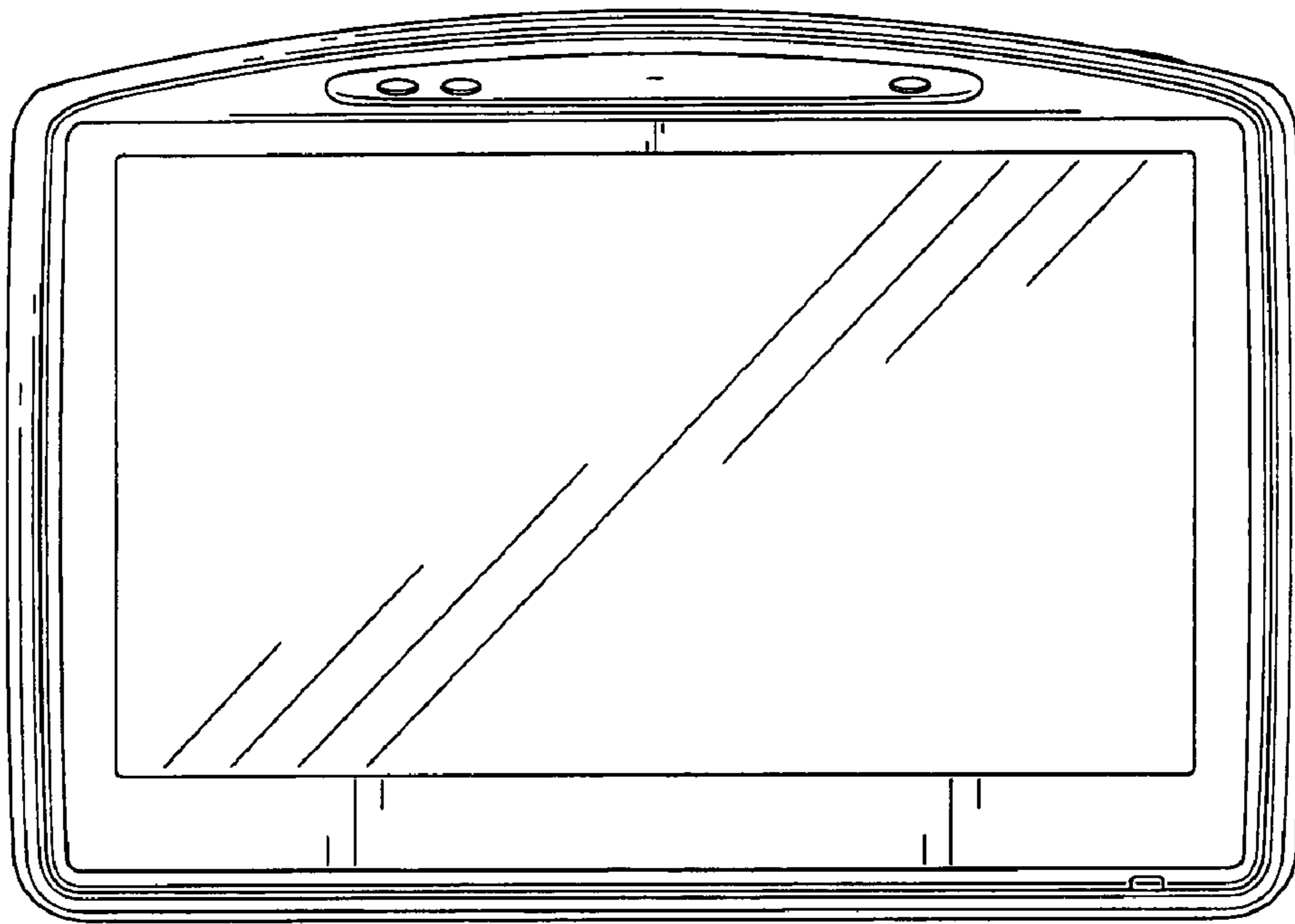


FIG. 2

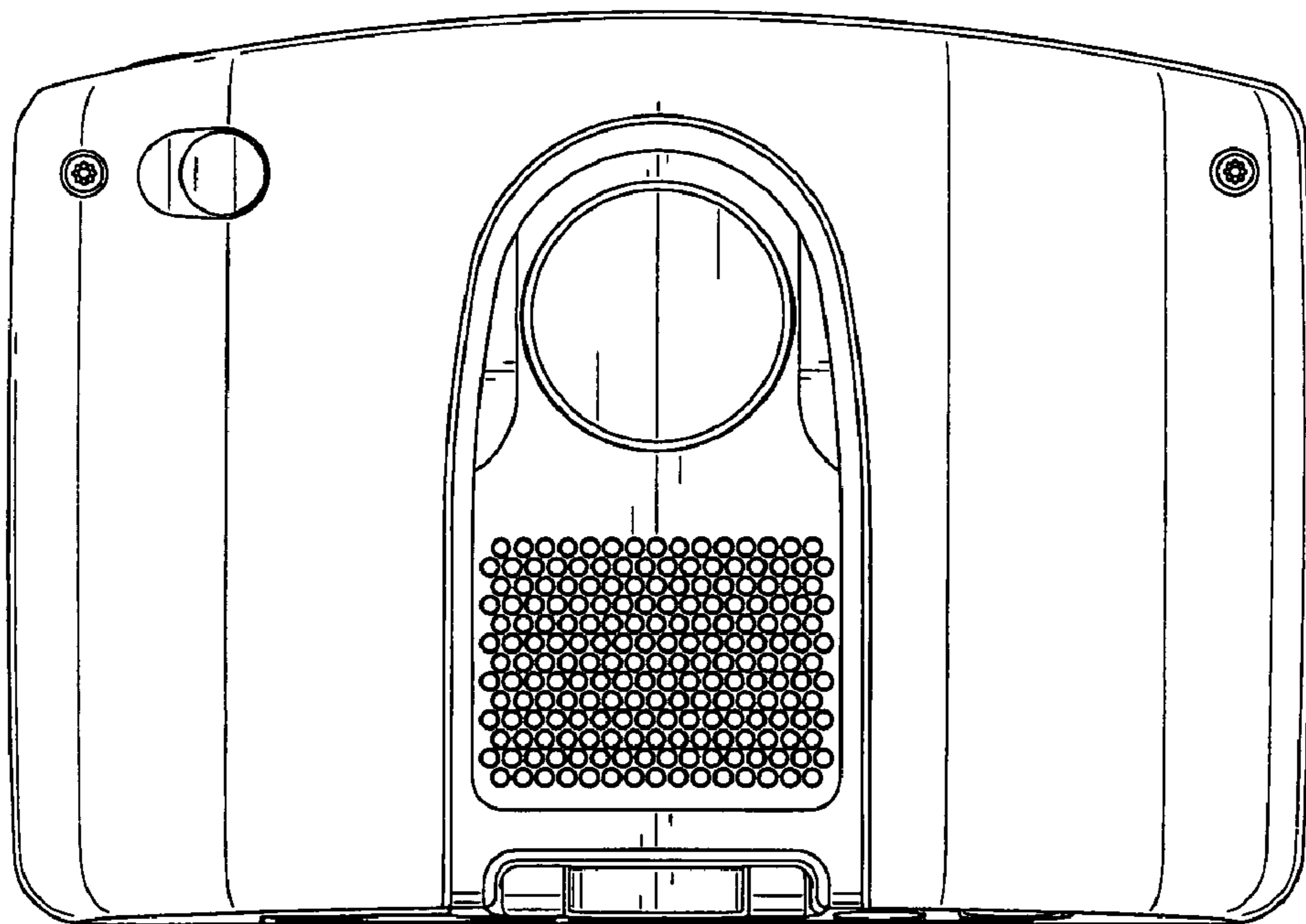


FIG. 3

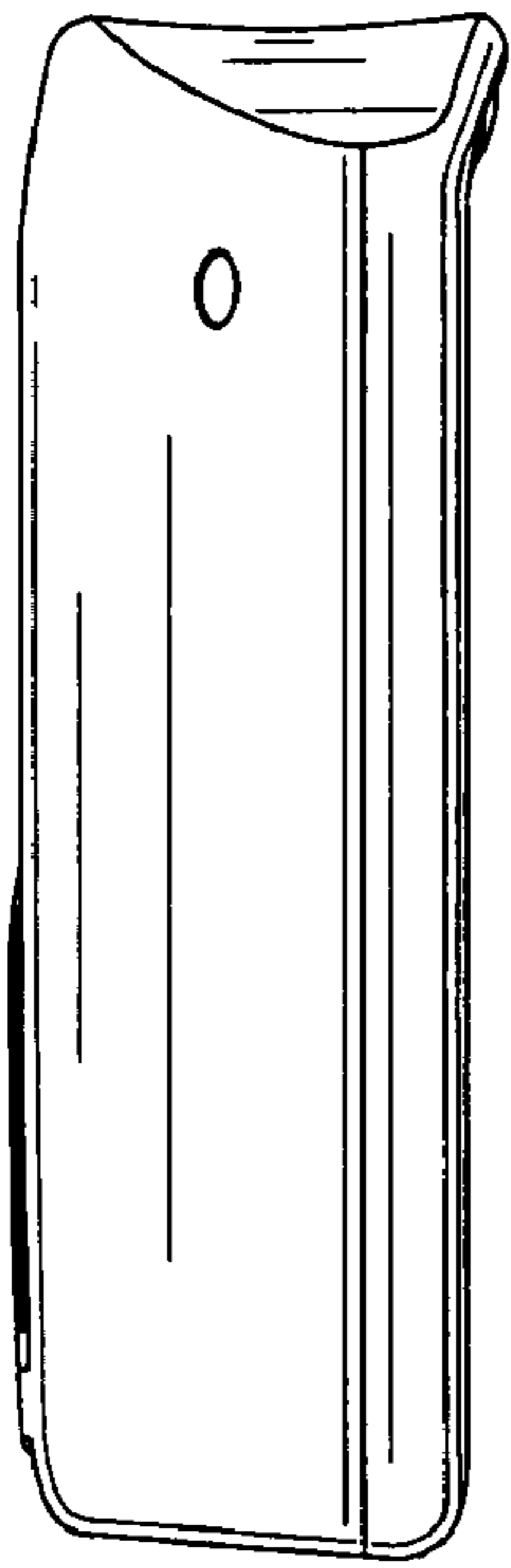


FIG. 4

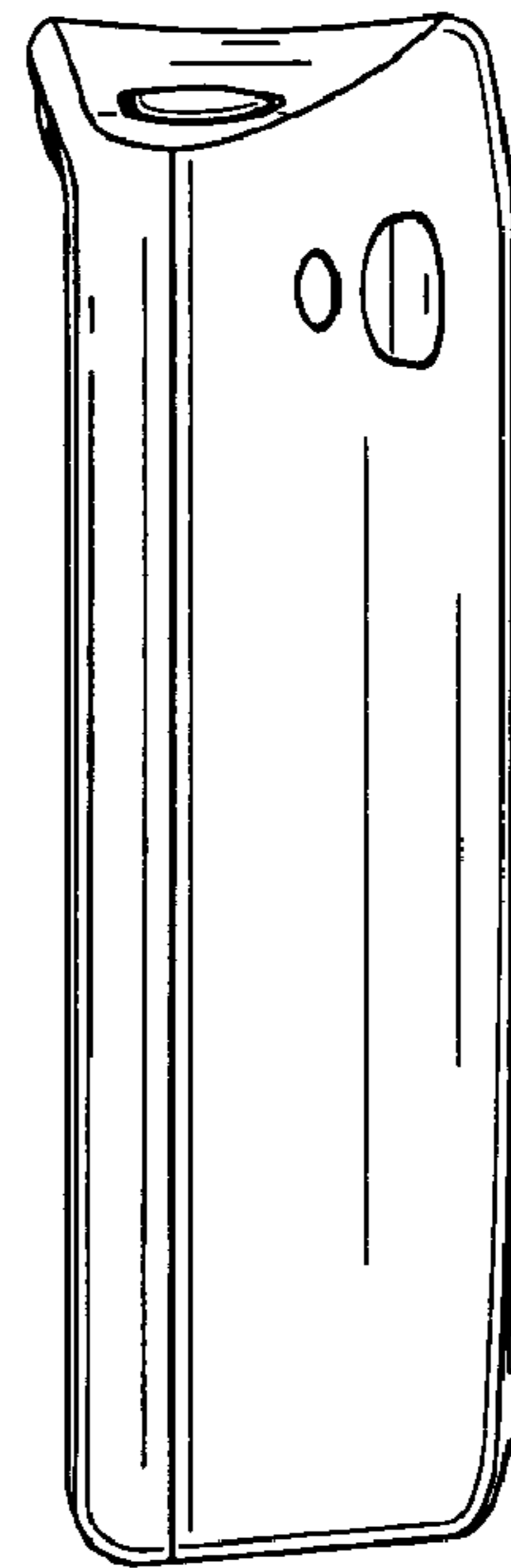


FIG. 5

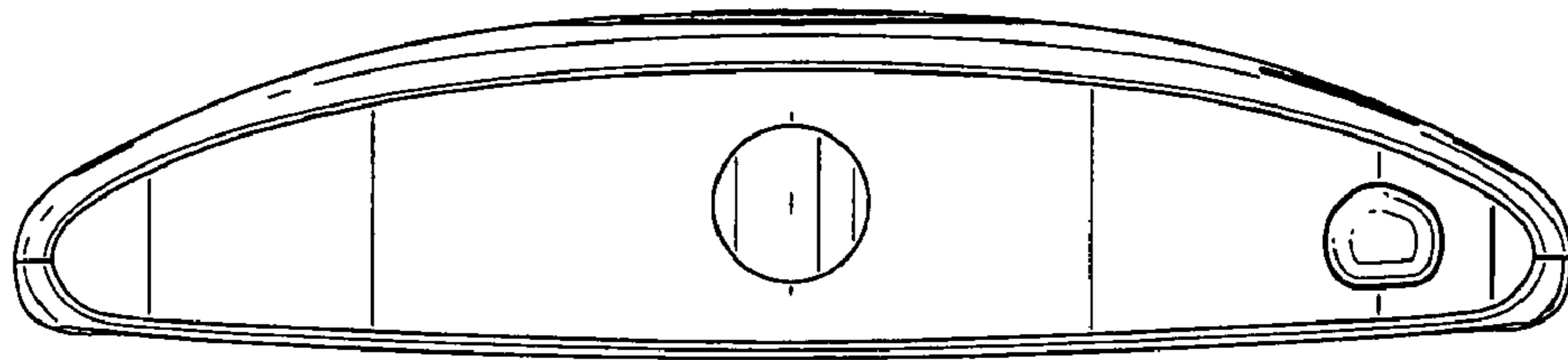


FIG. 6

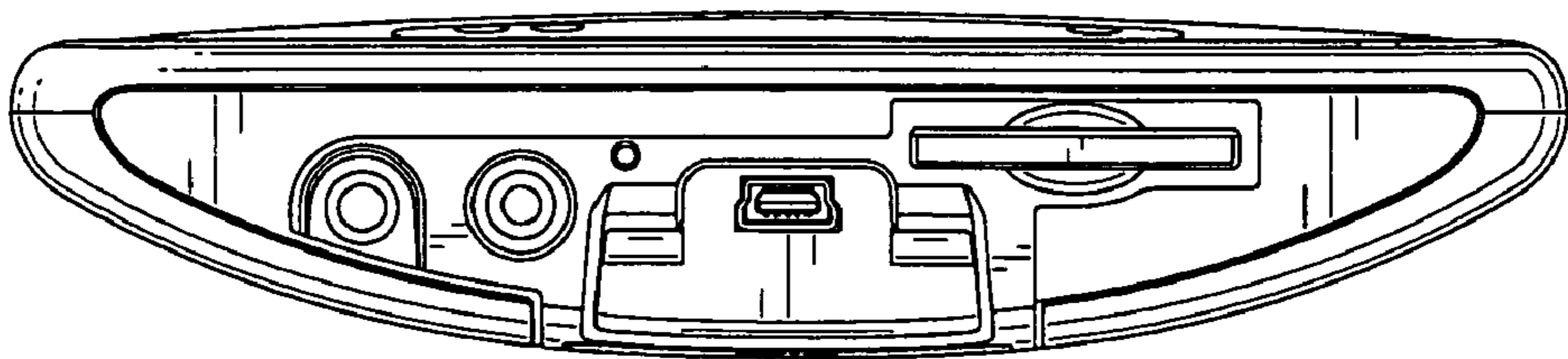


FIG. 7