



US00D581813S

(12) **United States Design Patent**
Min

(10) **Patent No.:** **US D581,813 S**
(45) **Date of Patent:** **** Dec. 2, 2008**

(54) **COMBINED WATCH CASE AND PORTIONS OF A BRACELET**

(75) Inventor: **Wang San Min**, Dong Guan (CN)

(73) Assignee: **New Heritage Ltd.**, Kowloon (HK)

(**) Term: **14 Years**

(21) Appl. No.: **29/240,925**

(22) Filed: **Oct. 19, 2005**

(51) **LOC (8) Cl.** **10-02**

(52) **U.S. Cl.** **D10/38; D10/32**

(58) **Field of Classification Search** D10/30-39,
D10/131; 368/276, 277, 281-283, 285, 306,
368/308, 319, 294, 295

See application file for complete search history.

(56) **References Cited**

U.S. PATENT DOCUMENTS

2,857,734	A *	10/1958	Weigenant	368/14
5,255,248	A *	10/1993	Goodmon	368/228
D356,956	S *	4/1995	Hitter	D10/32
D370,181	S *	5/1996	Krieger	D10/32
5,596,551	A *	1/1997	Born et al.	368/10
D390,791	S *	2/1998	Kubisch	D10/39
D445,038	S *	7/2001	Subilia	D10/30
D459,240	S *	6/2002	Baumann	D10/32
D473,473	S *	4/2003	Wunderman	D10/32
6,762,976	B1 *	7/2004	Tamaru et al.	368/88
D508,421	S *	8/2005	Diltoer	D10/39
D508,859	S *	8/2005	Ho	D10/30
D539,669	S *	4/2007	Vaptzarof	D10/31
D539,674	S *	4/2007	Vaptzarof	D10/38

OTHER PUBLICATIONS

Wristwatches, A Connoisseur's Guide, Frank Edwards, copyright 1997, Firefly Publishing, p. 103, Maurice Lacroix "Tiago" watch.*
Swiss Watch and Jewelry Journal, Feb. 1982, p. 229, Chopard watch on left side of photograph.*

* cited by examiner

Primary Examiner—Lucy Lieberman

(74) *Attorney, Agent, or Firm*—Thomas I. Rozsa

(57) **CLAIM**

The ornamental design for a combined watch case and portions of a bracelet, as shown and described.

DESCRIPTION

FIG. 1 is a front, right side and bottom perspective view of a combined watch case and portions of a bracelet showing my new design;

FIG. 2 is a front, left side and top perspective view thereof;

FIG. 3 is a top plan view;

FIG. 4 is bottom plan view;

FIG. 5 is a side elevational view when viewed from the right side with the bracelet in a stationary condition;

FIG. 6 is a side view when viewed from the left side with the bracelet in a stationary condition;

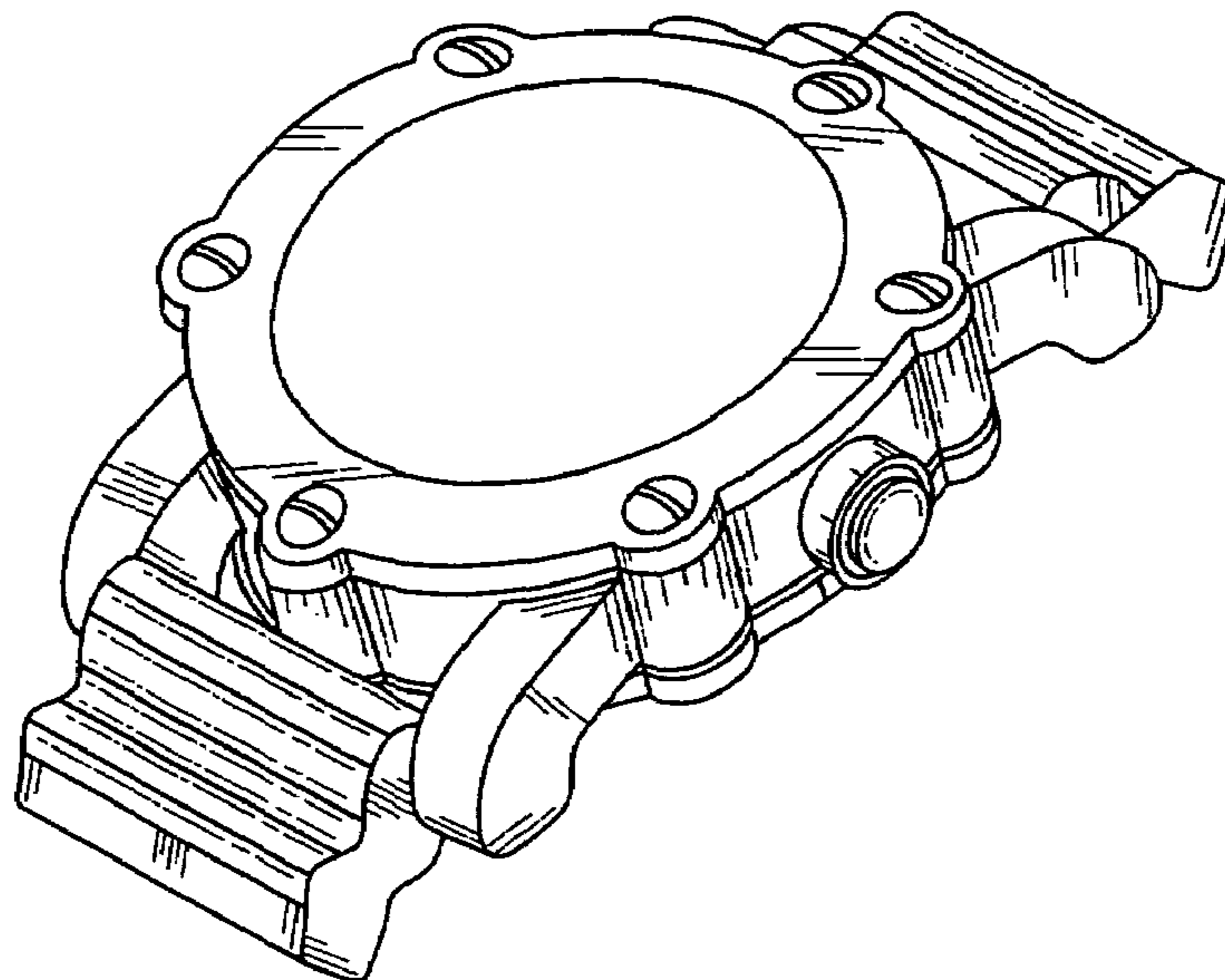
FIG. 7 is a right side elevation shown with the bracelet portions in an alternate position;

FIG. 8 is a left side elevation shown with the bracelet portions in the alternate position;

FIG. 9 is an end view when viewed from the bottom; and,

FIG. 10 is an end view when viewed from the top.

1 Claim, 4 Drawing Sheets



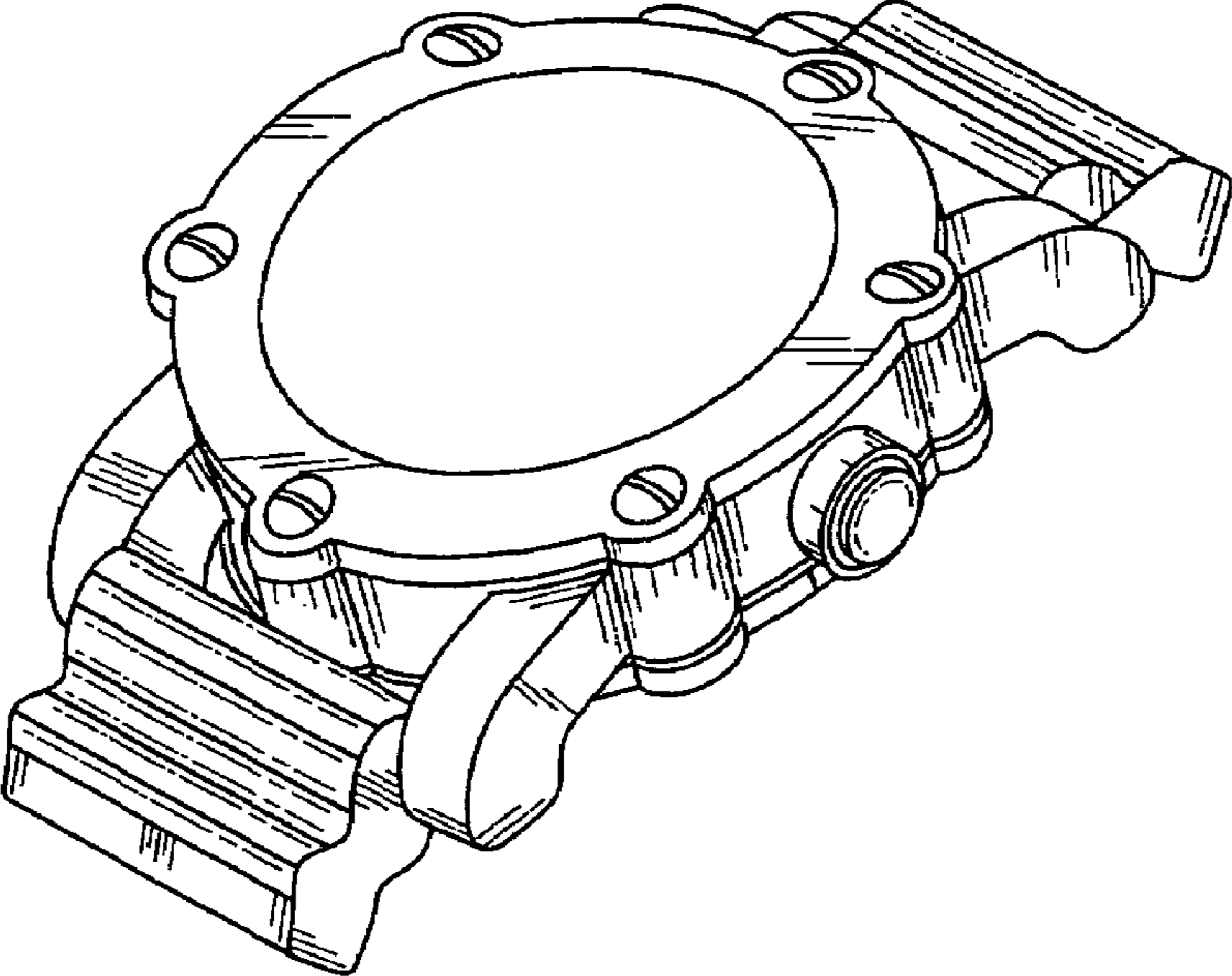


FIG. 1

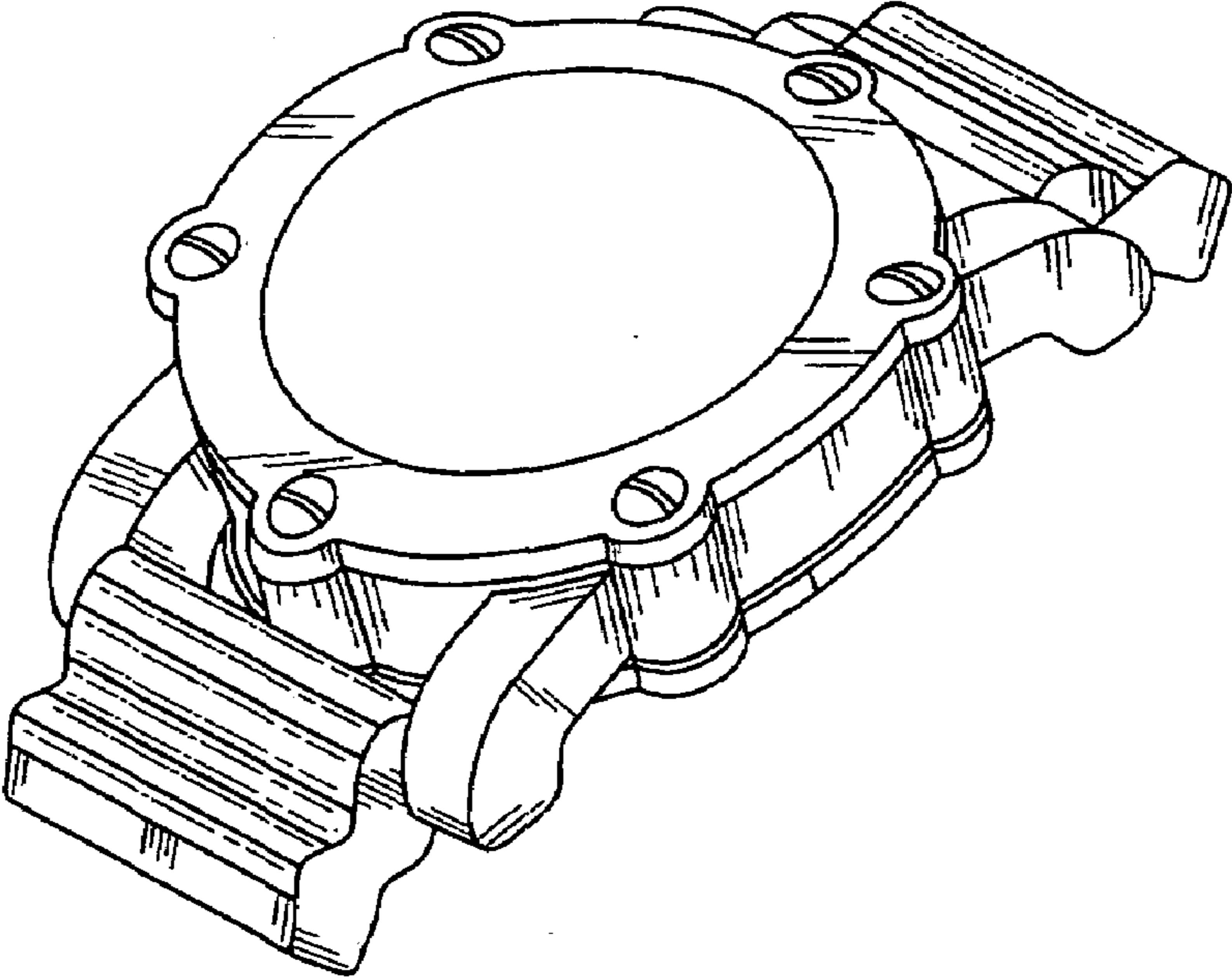


FIG. 2

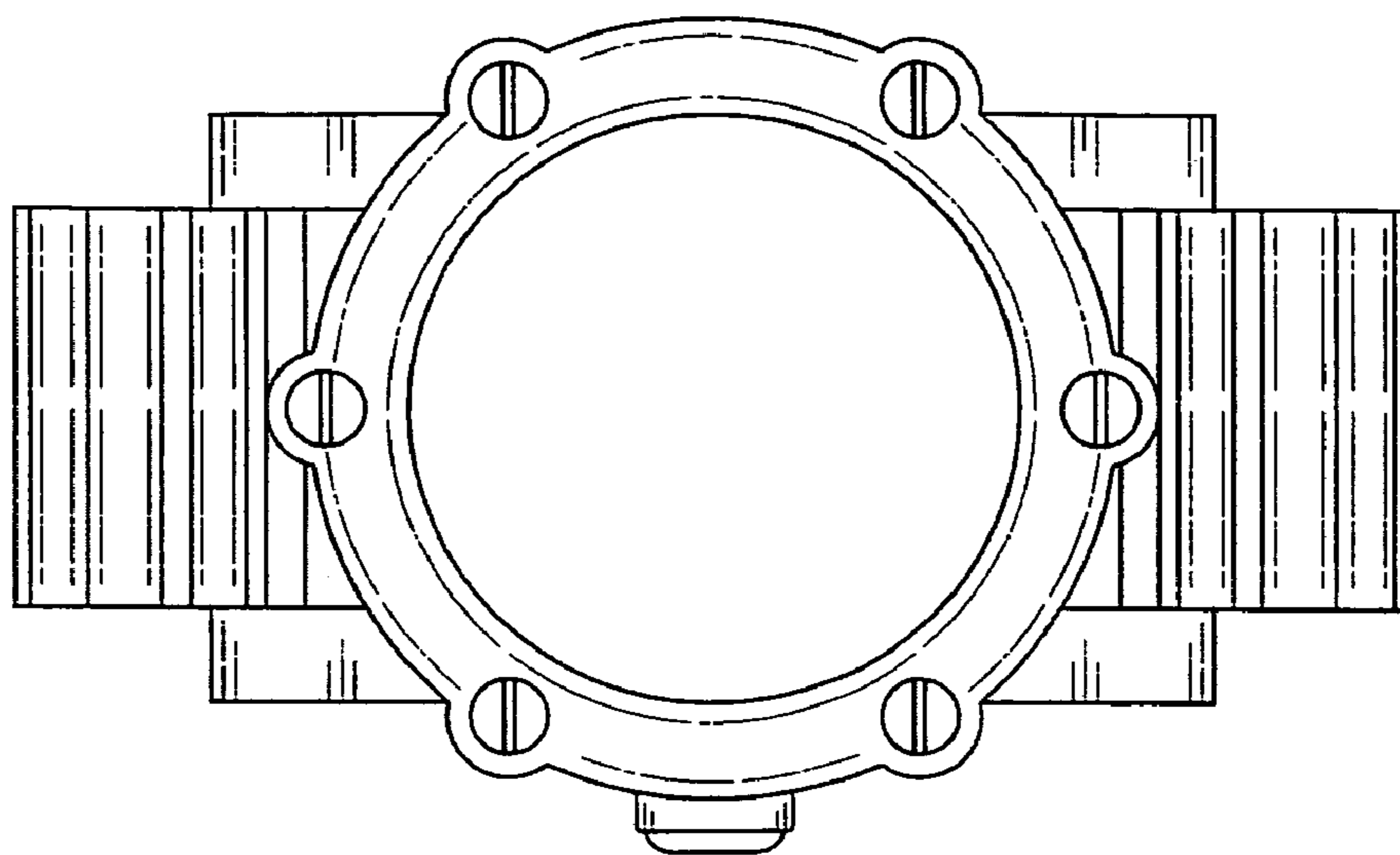


FIG. 3

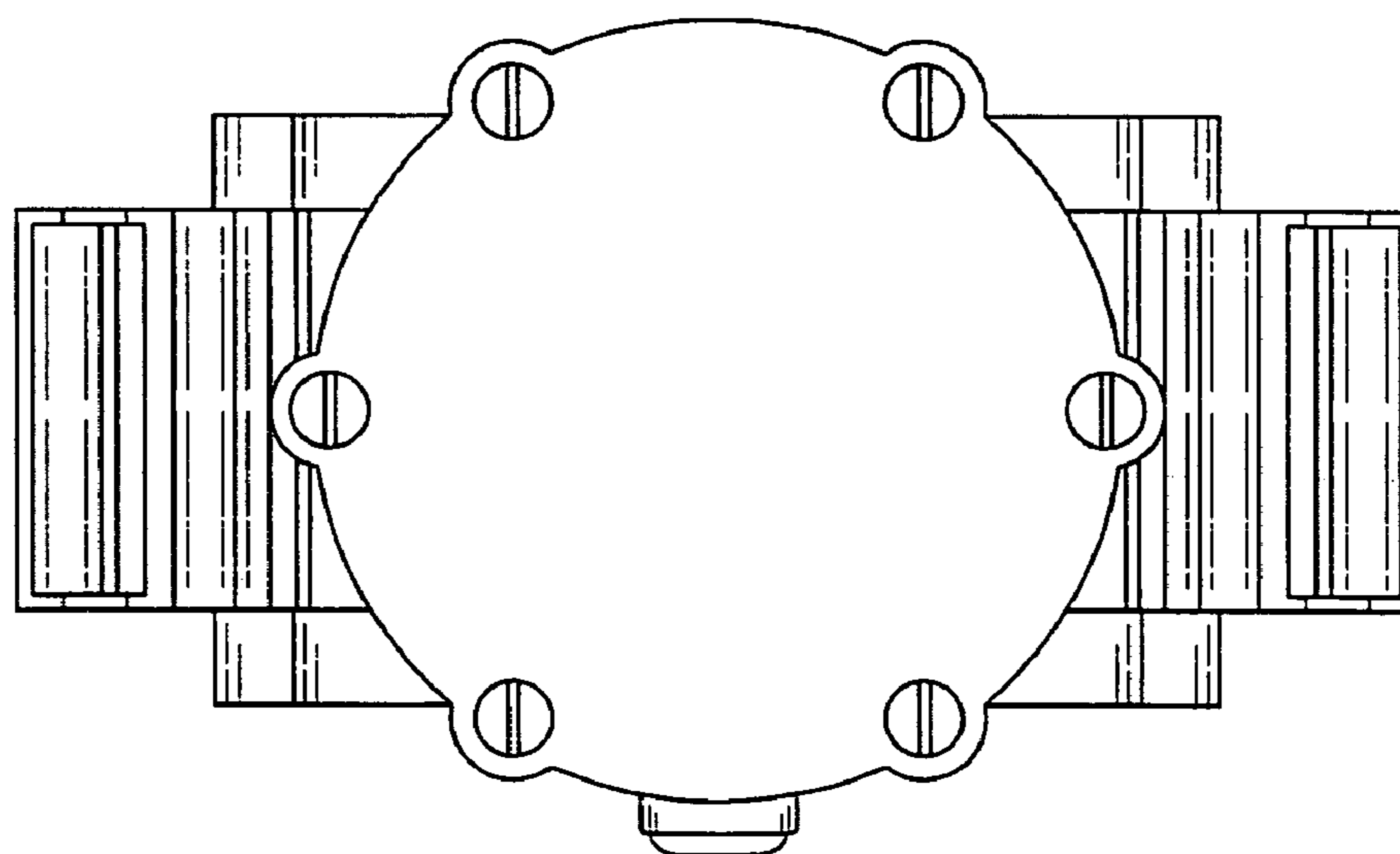


FIG. 4

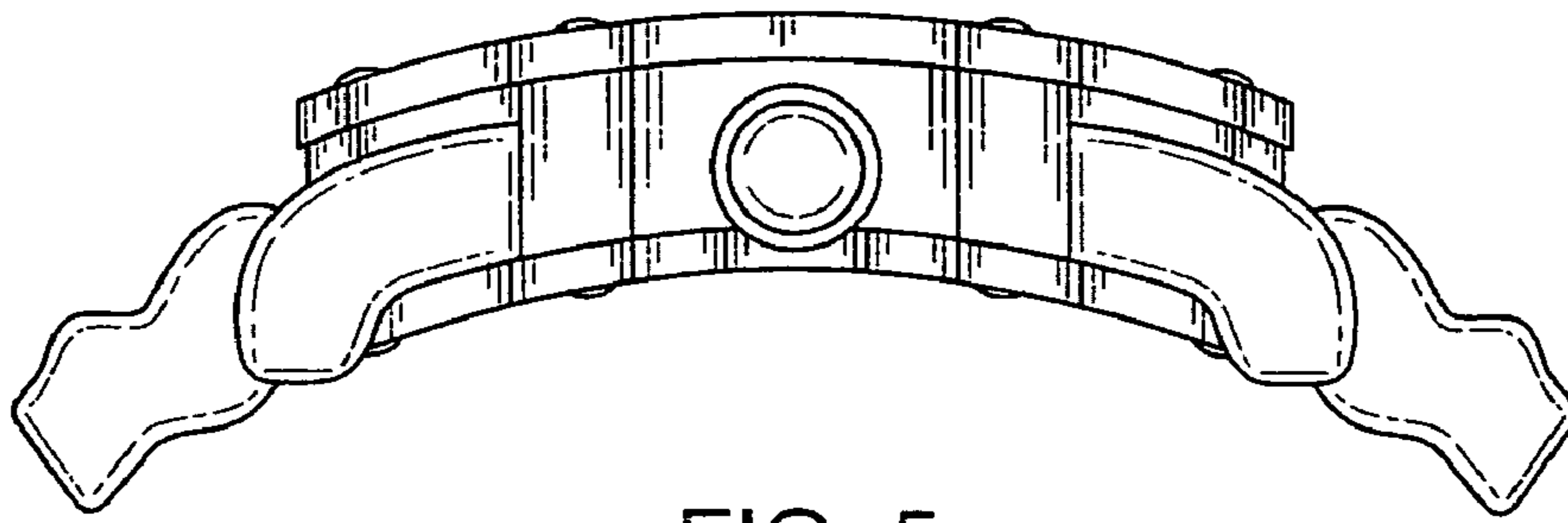


FIG. 5

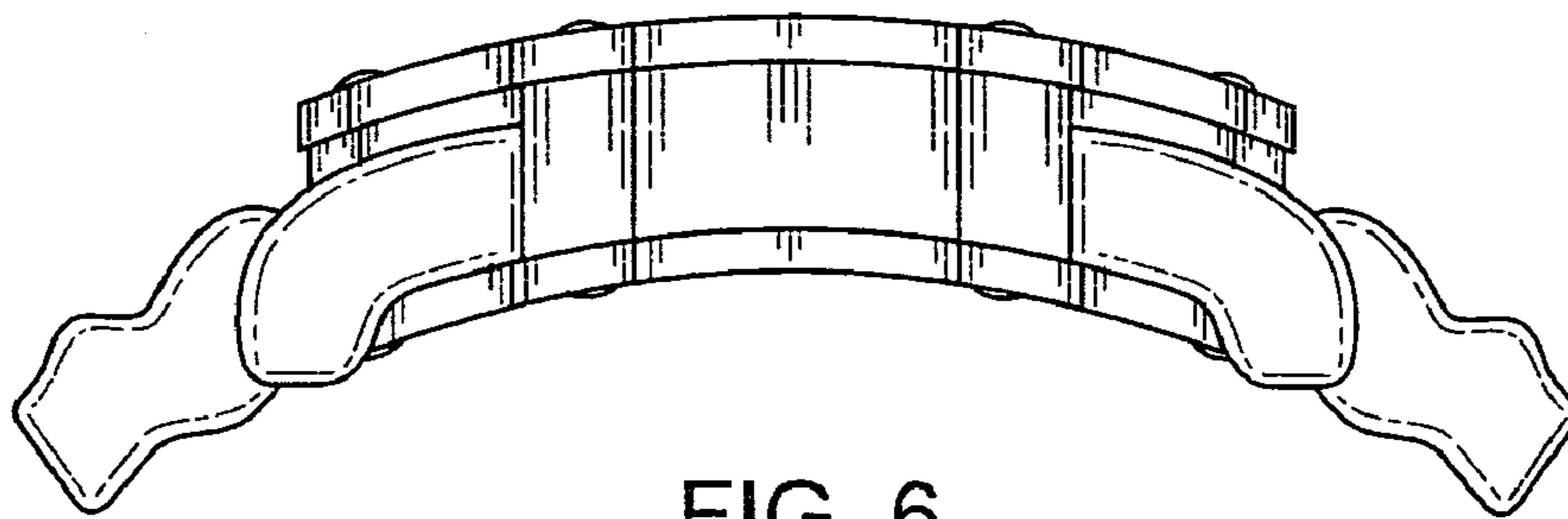


FIG. 6

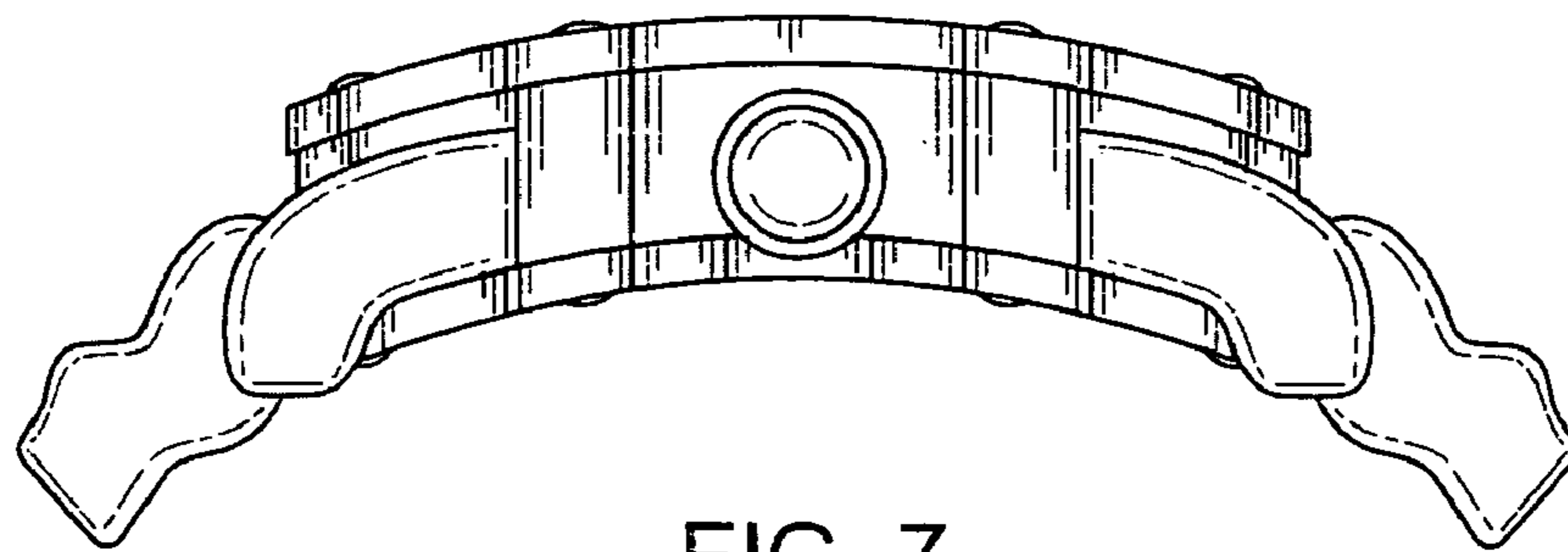


FIG. 7

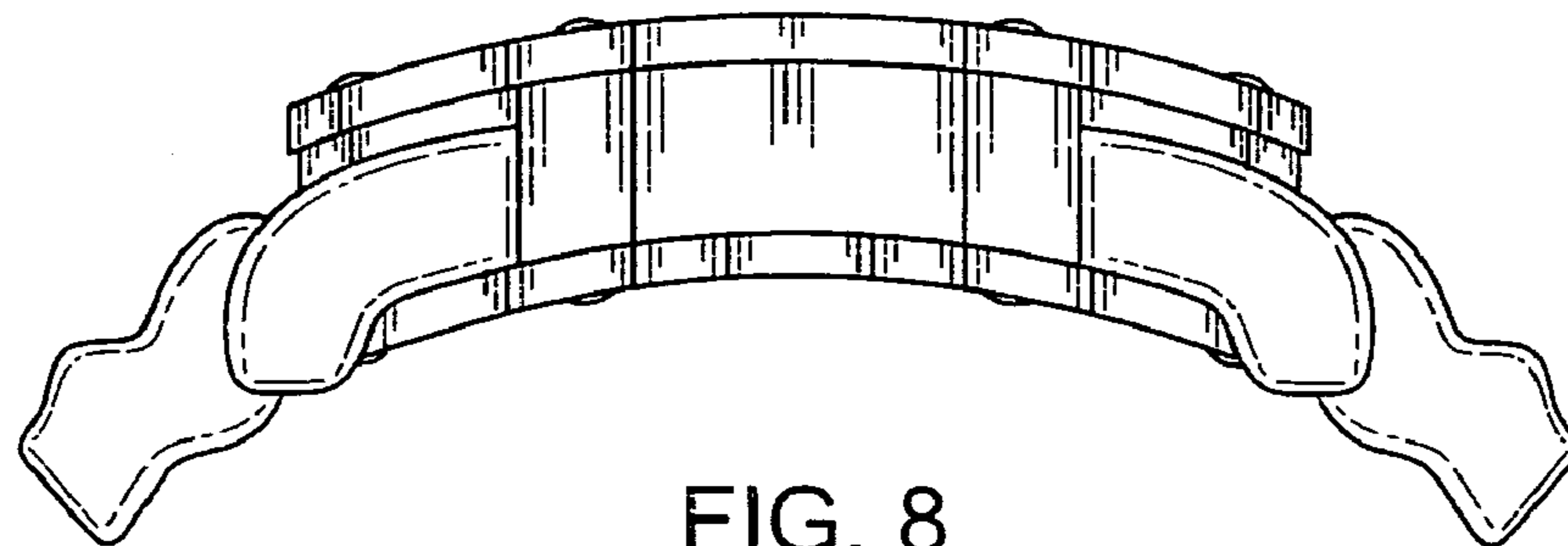


FIG. 8

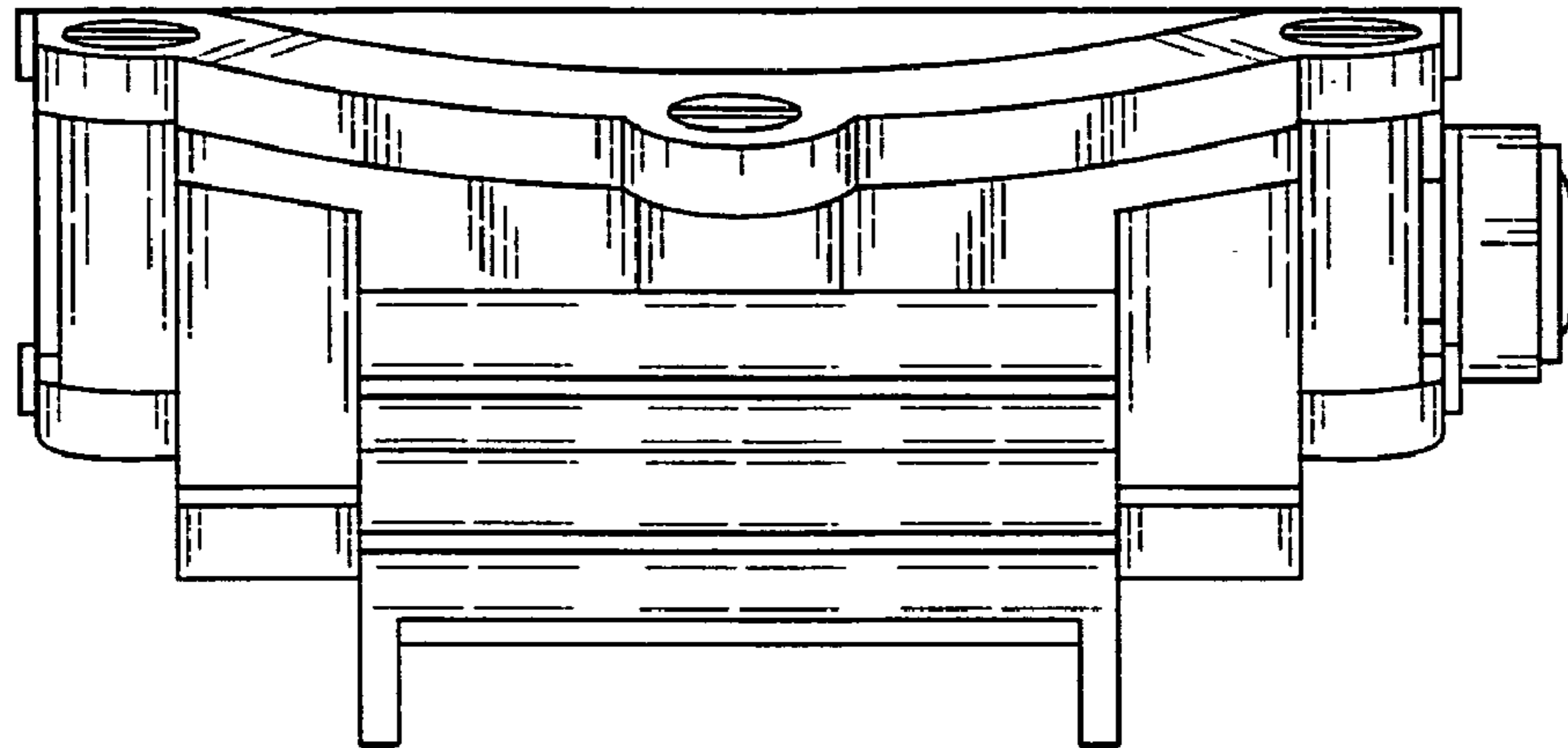


FIG. 9

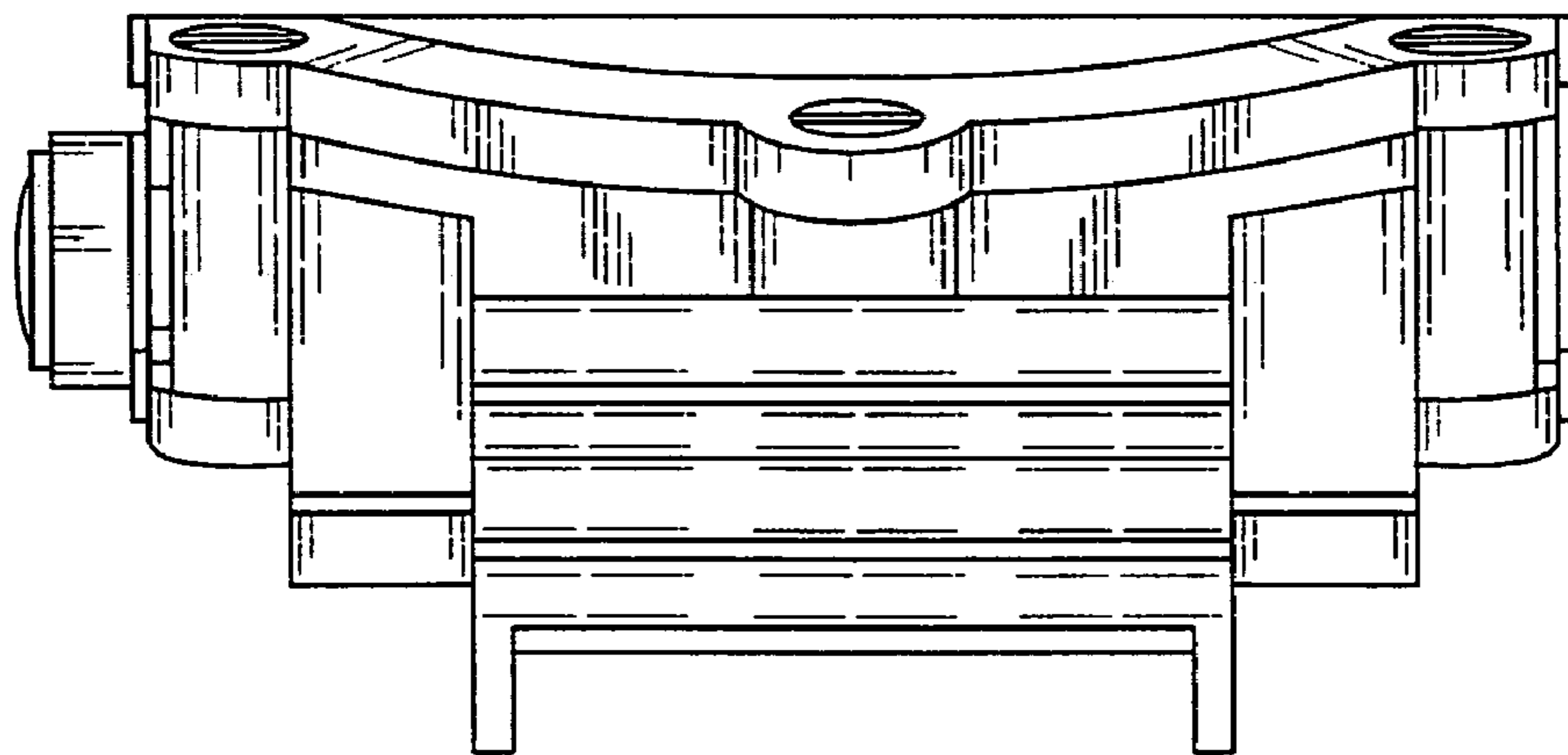


FIG. 10