



US00D581812S

(12) **United States Design Patent**
Moritz

(10) **Patent No.:** **US D581,812 S**
(45) **Date of Patent:** **** Dec. 2, 2008**

(54) **COMBINED WATCH CASE AND PORTION OF A BAND**

(75) Inventor: **Hans Karsten Moritz**, Foothill Ranch, CA (US)

(73) Assignee: **Oakley, Inc.**, Foothill Ranch, CA (US)

(**) Term: **14 Years**

(21) Appl. No.: **29/292,296**

(22) Filed: **Oct. 5, 2007**

| | | | |
|--------------|---------|----------------|--------|
| D416,811 S | 11/1999 | Krauss et al. | |
| D443,528 S | 6/2001 | Tomimatsu | |
| D473,146 S * | 4/2003 | Rufenacht | D10/32 |
| D473,800 S | 4/2003 | Moritz et al. | |
| D474,118 S | 5/2003 | Monachon | |
| 6,570,823 B1 | 5/2003 | Gilomen et al. | |
| D486,401 S * | 2/2004 | Yee et al. | D10/30 |
| D498,682 S | 11/2004 | Moritz et al. | |
| D519,389 S * | 4/2006 | Takahashi | D10/32 |
| D535,199 S * | 1/2007 | Lassigne | D10/32 |
| D538,182 S * | 3/2007 | Lalo | D10/32 |
| D542,158 S | 5/2007 | Thixton | |
| 7,210,845 B2 | 5/2007 | Oesch et al. | |
| D559,123 S * | 1/2008 | Modolo | D10/32 |

Related U.S. Application Data

(62) Division of application No. 29/286,108, filed on Apr. 23, 2007, now Pat. No. Des. 557,619.

(51) **LOC (8) Cl.** **10-02**

(52) **U.S. Cl.** **D10/32; D10/38**

(58) **Field of Classification Search** D10/30-39;
368/276, 281, 282, 285; D11/3; 224/164
See application file for complete search history.

(56) **References Cited**

U.S. PATENT DOCUMENTS

| | | | |
|---------------|---------|------------------|---------|
| 1,940,568 A * | 12/1933 | Thurmond | 368/288 |
| 2,205,407 A * | 6/1940 | Hoffer | 368/288 |
| 2,361,563 A * | 10/1944 | Pellaton | 368/80 |
| D195,421 S * | 6/1963 | Huguenin | D10/39 |
| 3,986,335 A | 10/1976 | Harper | |
| D327,023 S * | 6/1992 | St. Dizier | D10/39 |
| D337,277 S * | 7/1993 | Scarlinzi et al. | D10/39 |
| D346,975 S | 5/1994 | Houlihan | |
| D382,828 S * | 8/1997 | Houlihan | D11/3 |
| 5,878,002 A | 3/1999 | Pfeil | |
| D408,314 S * | 4/1999 | Kojima et al. | D11/3 |
| 5,892,455 A | 4/1999 | Matsumoto | |
| D413,071 S | 8/1999 | Fichter | |
| 5,974,000 A * | 10/1999 | Pfeil | 368/10 |

OTHER PUBLICATIONS

Pending, U.S. Appl. No. 29/286,108, Moritz.

* cited by examiner

Primary Examiner—Lucy Lieberman

(74) *Attorney, Agent, or Firm*—Gregory K. Nelson

(57) **CLAIM**

The ornamental design for a combined watch case and portion of a band, as shown and described.

DESCRIPTION

FIG. 1 is a front perspective view of the combined watch case and portion of a band of the present invention;

FIG. 2 is a front elevational view thereof;

FIG. 3 is a rear elevational view thereof;

FIG. 4 is a left-side elevational view thereof;

FIG. 5 is a right-side elevational view thereof;

FIG. 6 is a top plan view thereof; and,

FIG. 7 is a bottom plan view thereof.

1 Claim, 4 Drawing Sheets

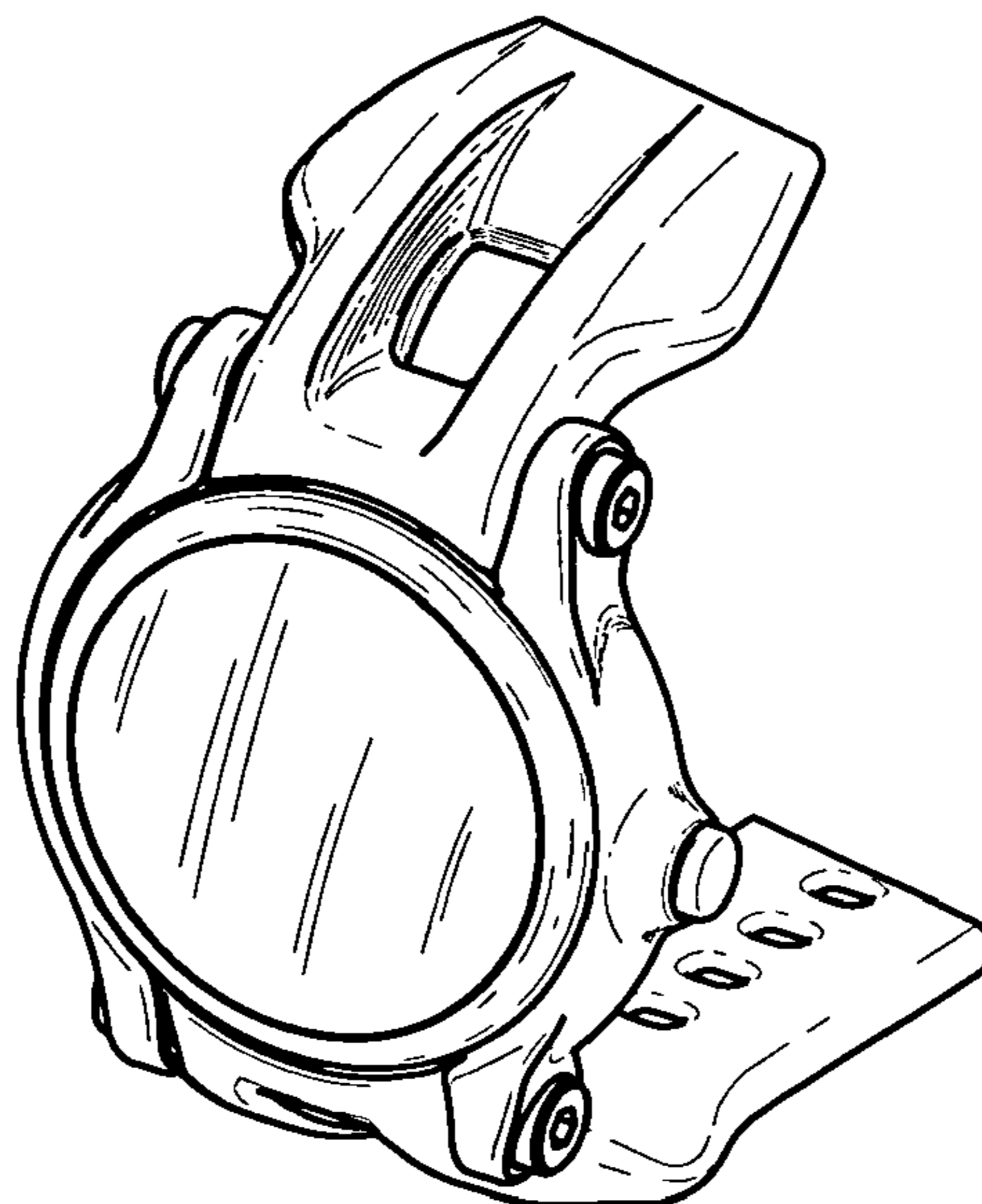




FIG. 1

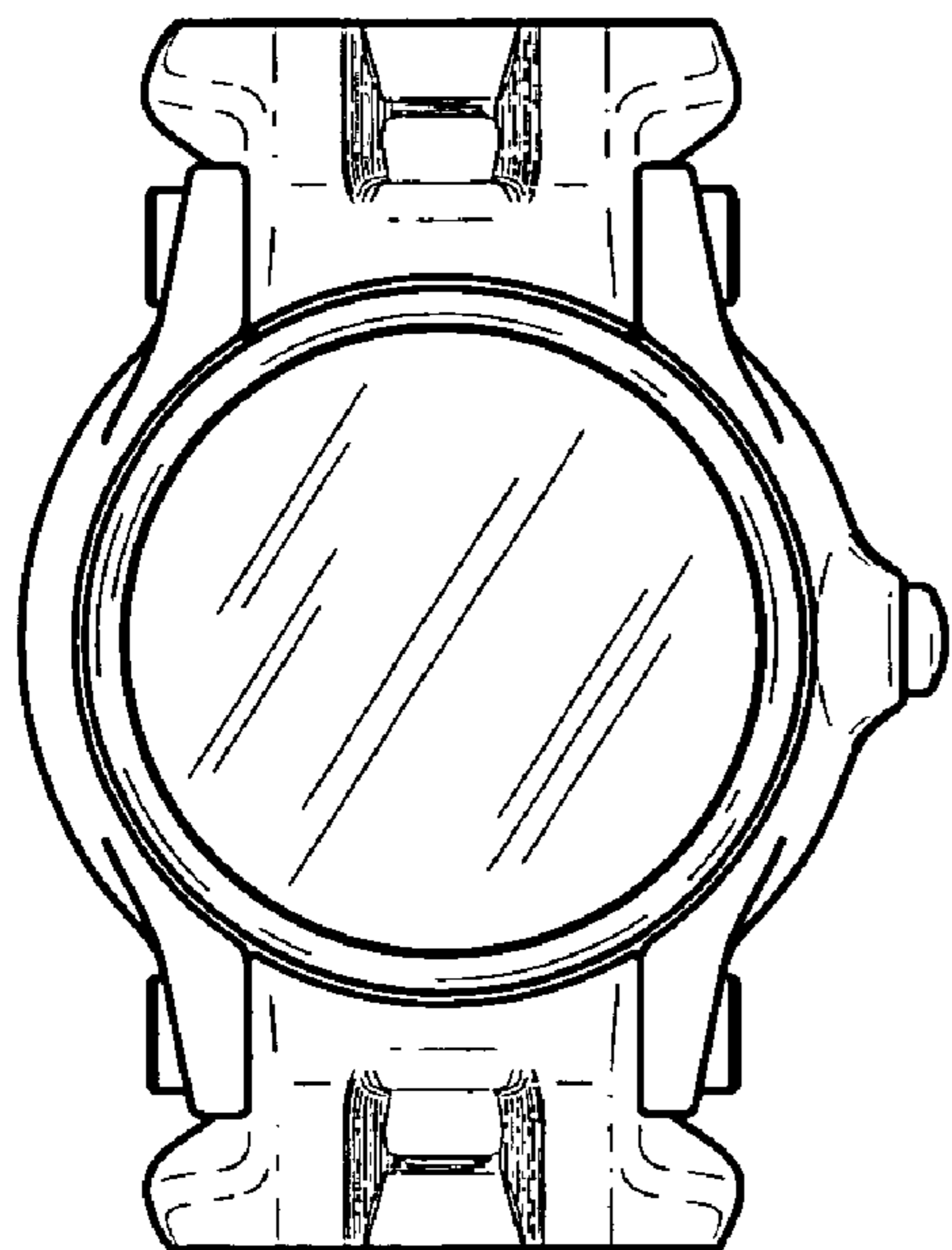


FIG. 2

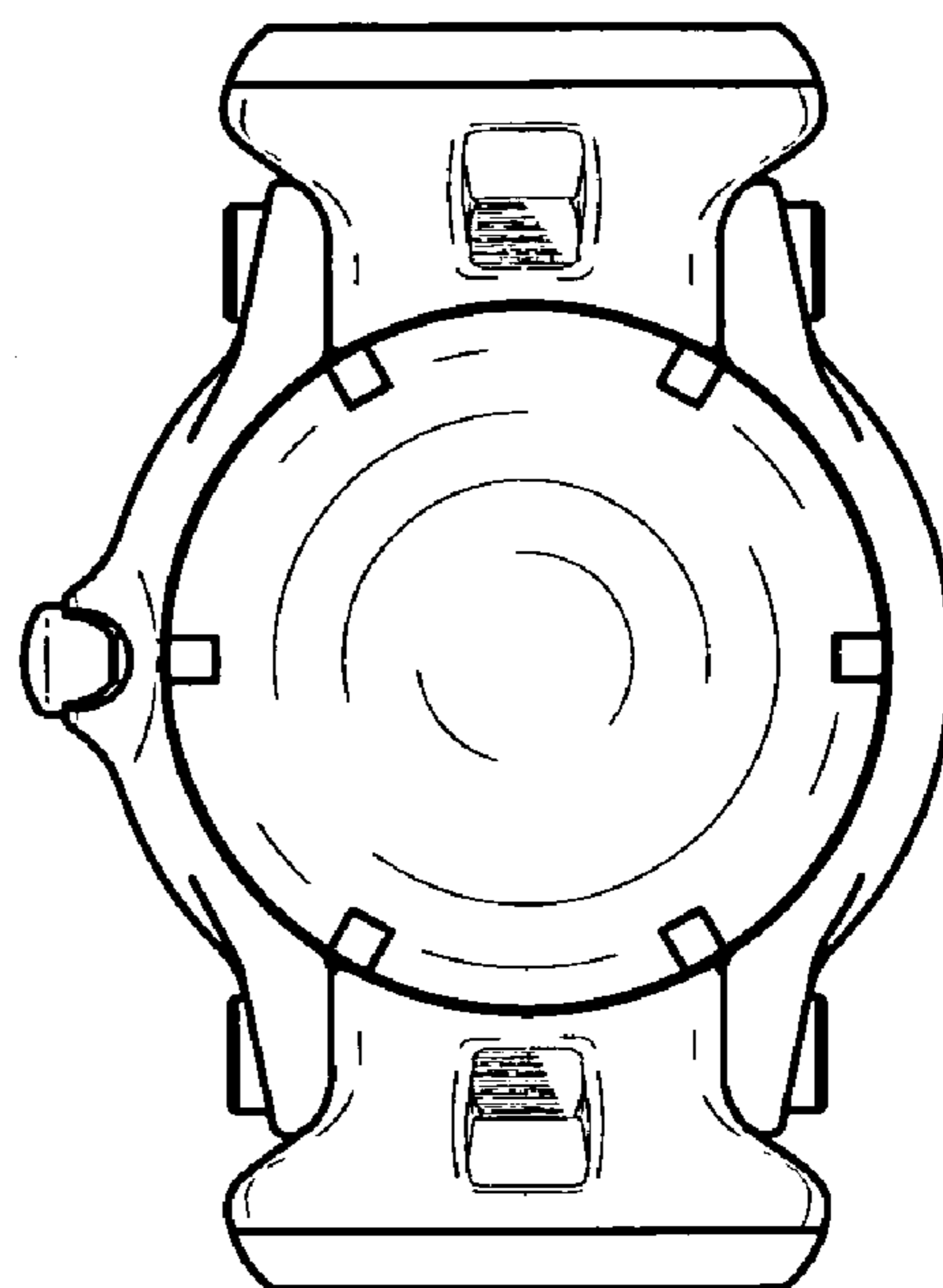


FIG. 3

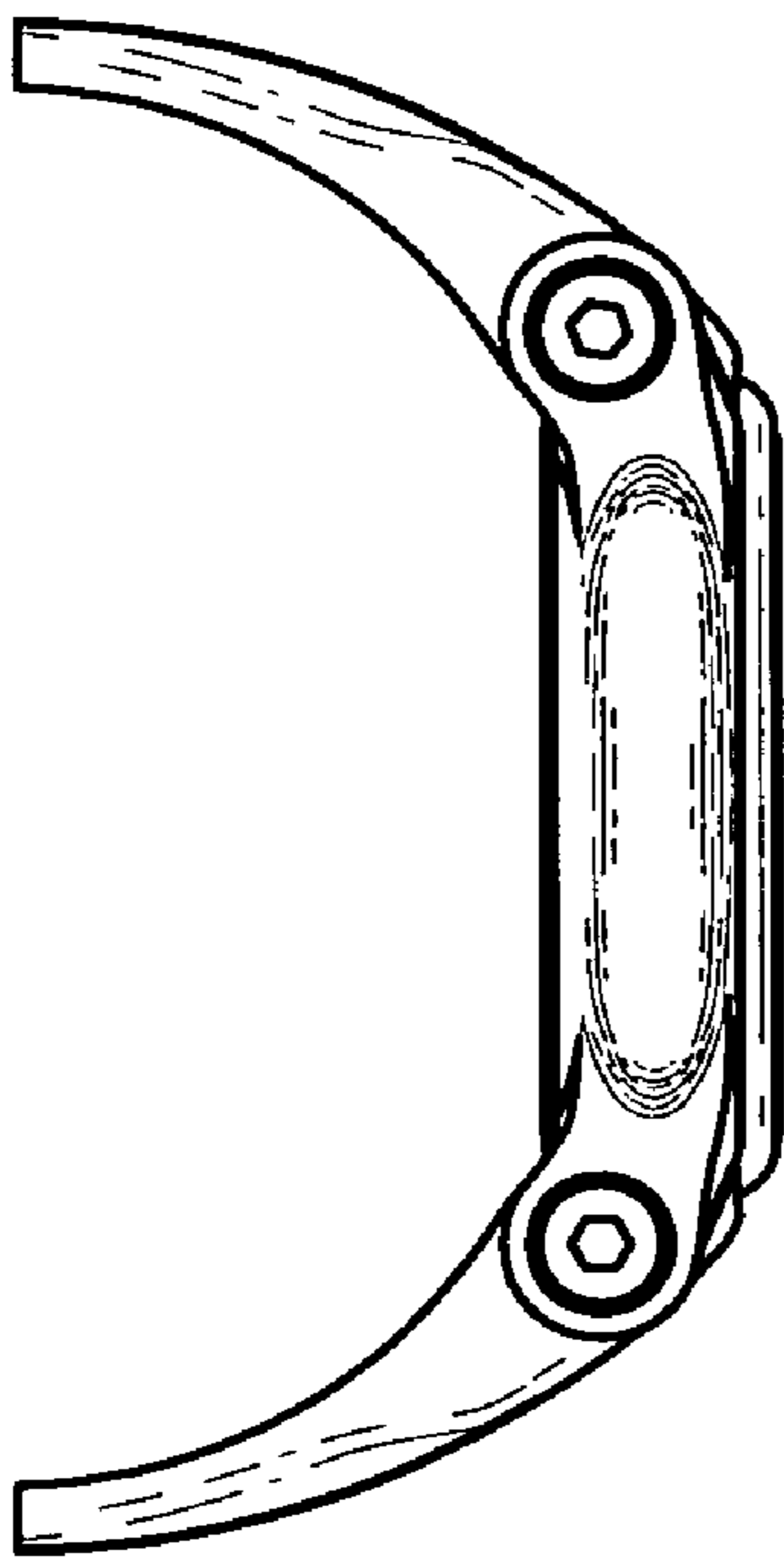


FIG. 4

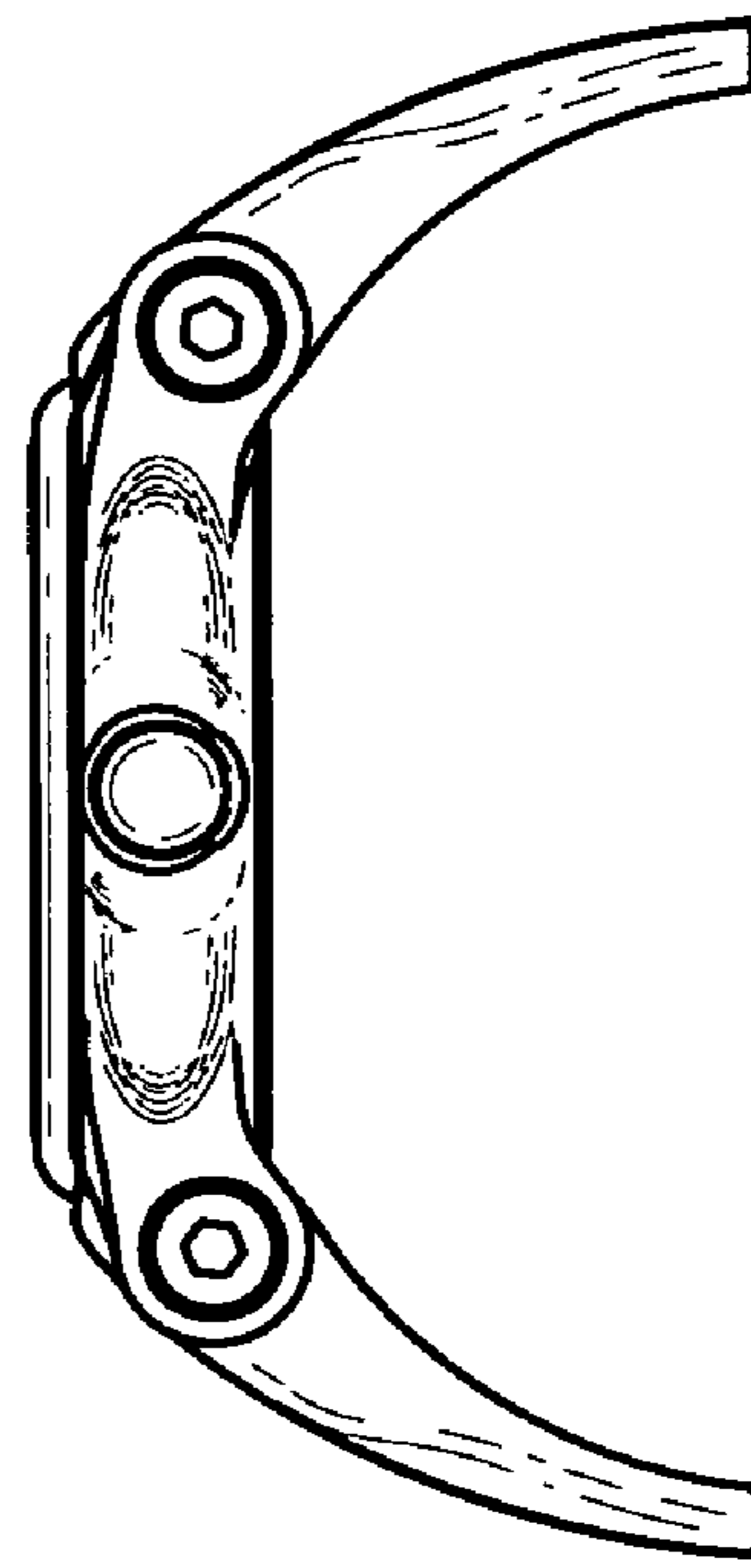


FIG. 5

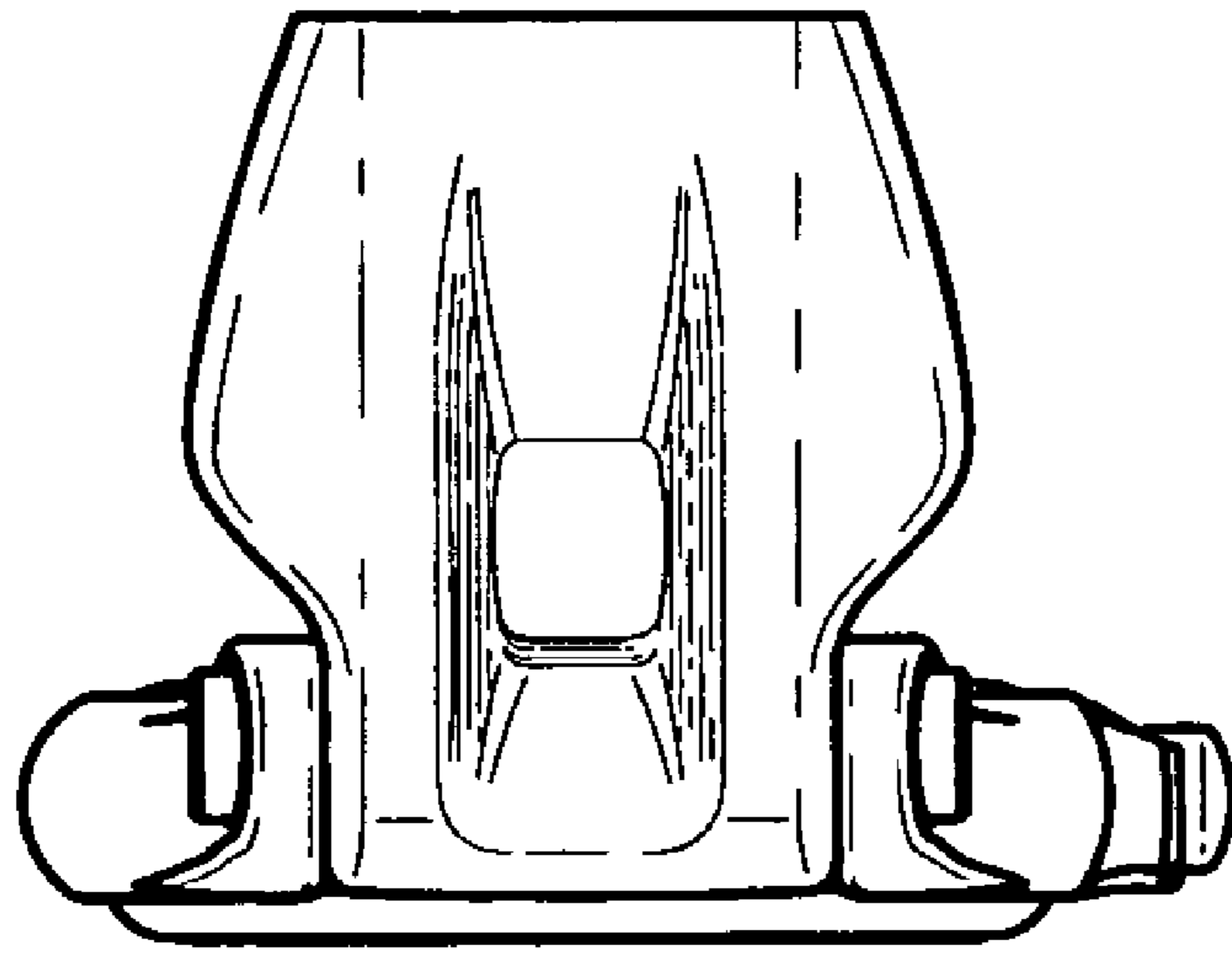


FIG. 6

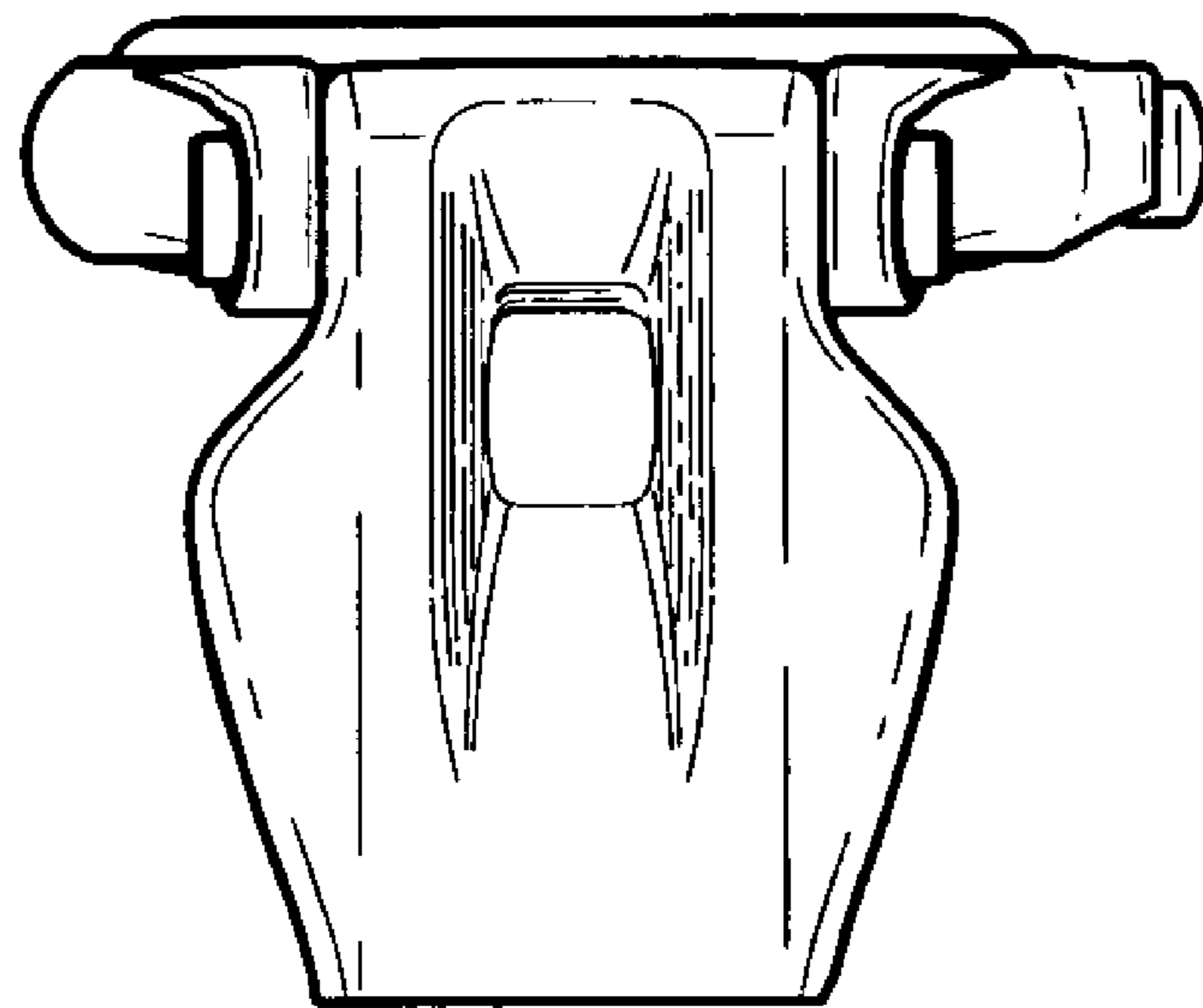


FIG. 7