



US00D581809S

(12) **United States Design Patent**  
**Wichowski**

(10) **Patent No.:** **US D581,809 S**  
(45) **Date of Patent:** **\*\* Dec. 2, 2008**

(54) **CIRCULAR CONTAINER WITH RIDGED LID**

(75) Inventor: **Artur Wichowski**, Gerlafingen/So (CH)

(73) Assignee: **Hoffmann Neopac AG**, Bern (CH)

(\*\*) Term: **14 Years**

(21) Appl. No.: **29/304,973**

(22) Filed: **Mar. 11, 2008**

(51) **LOC (8) Cl.** ..... **09-01**

(52) **U.S. Cl.** ..... **D9/772; D9/504**

(58) **Field of Classification Search** ..... D9/500,  
D9/502-505, 516, 549, 558, 682, 686, 688-692,  
D9/537, 539, 545; 215/379, 382; 220/660,  
220/662-663, 669

See application file for complete search history.

(56) **References Cited**

**U.S. PATENT DOCUMENTS**

4,098,421	A *	7/1978	Foster	.....	215/321
4,190,170	A *	2/1980	Boyd	.....	215/307
D510,524	S *	10/2005	Houk et al.	.....	D9/503
D513,386	S *	1/2006	Pace et al.	.....	D9/504
D515,426	S *	2/2006	Pace et al.	.....	D9/504

D515,928	S *	2/2006	Pace	.....	D9/504
D523,752	S *	6/2006	Bried et al.	.....	D9/504
D531,036	S *	10/2006	Bried et al.	.....	D9/504

\* cited by examiner

*Primary Examiner*—Charles A. Rademaker

*Assistant Examiner*—Dana L Sipos

(74) *Attorney, Agent, or Firm*—Gifford, Kruss, Sprinkle,  
Anderson & Citkowski, P.C.

(57) **CLAIM**

The ornamental design for a circular container with ridged lid, as shown and described.

**DESCRIPTION**

FIG. 1 is a top perspective view of a circular container with rigid lid showing my new design;

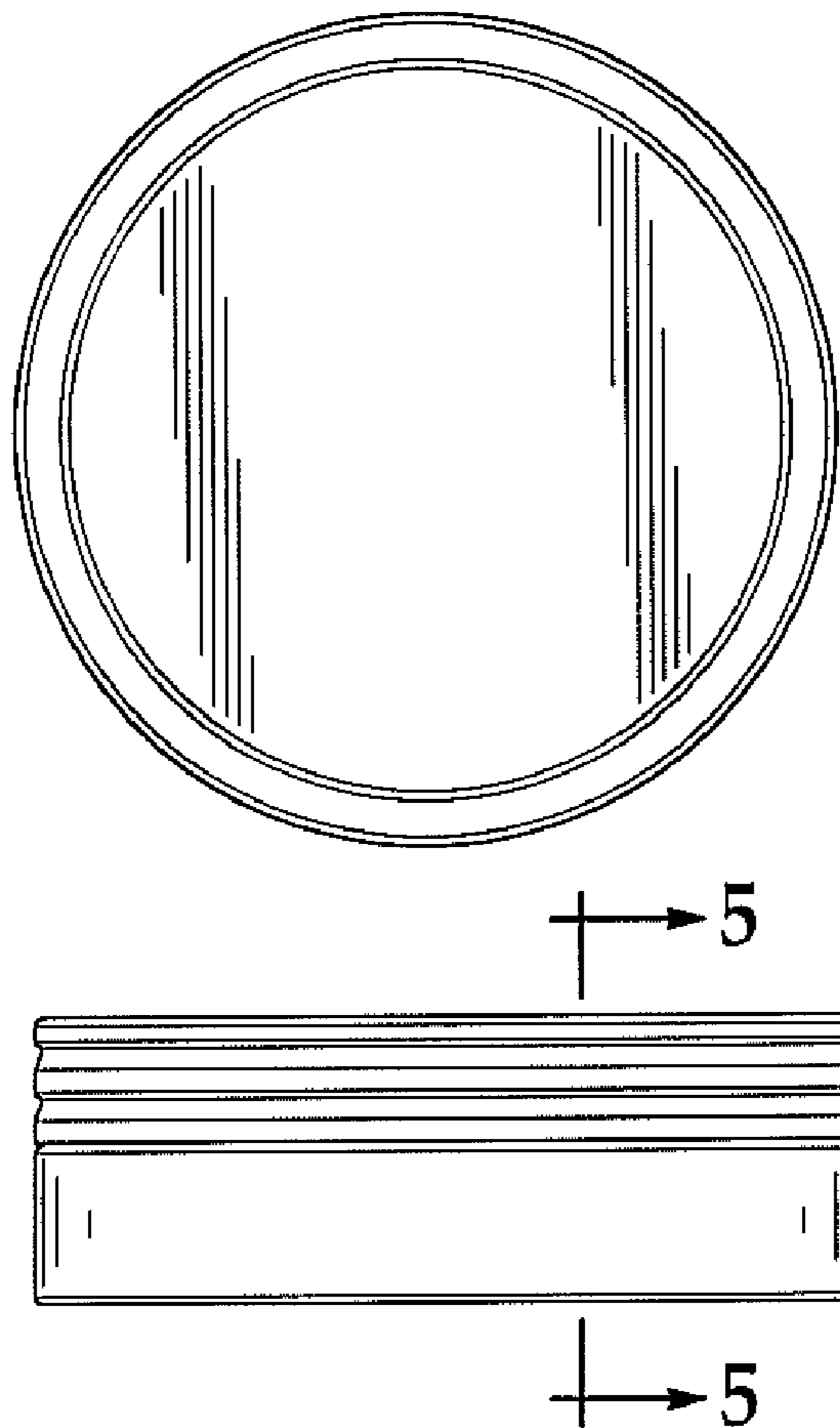
FIG. 2 is an exploded top perspective view thereof;

FIG. 3 is a top plan view thereof;

FIG. 4 is a side elevation view thereof; and,

FIG. 5 is a partial cross-section view taken along the line 5—5 in FIG. 4 showing the gasket detail inside the lid portion, shown on an enlarged scale.

**1 Claim, 2 Drawing Sheets**



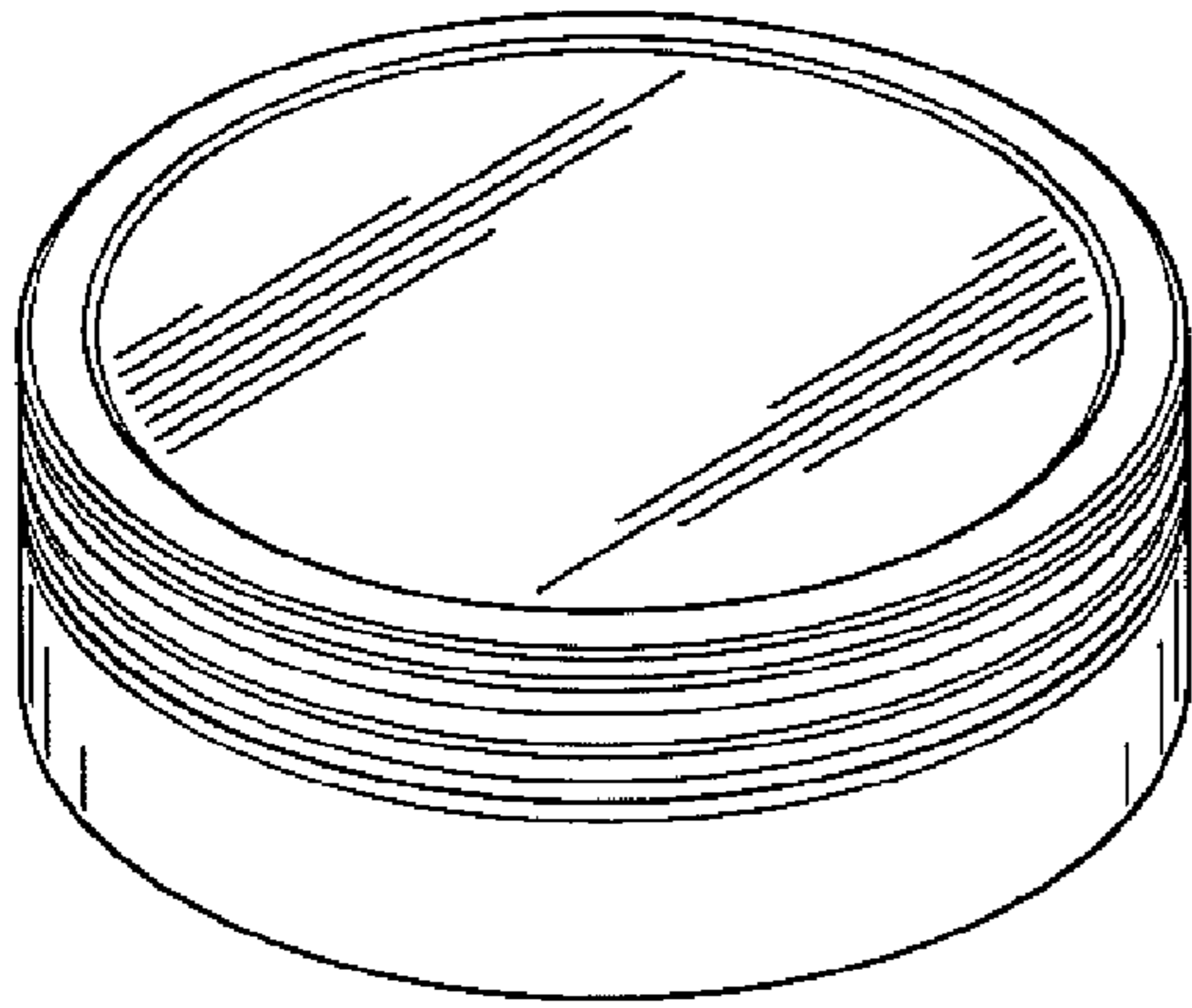


FIG. 1

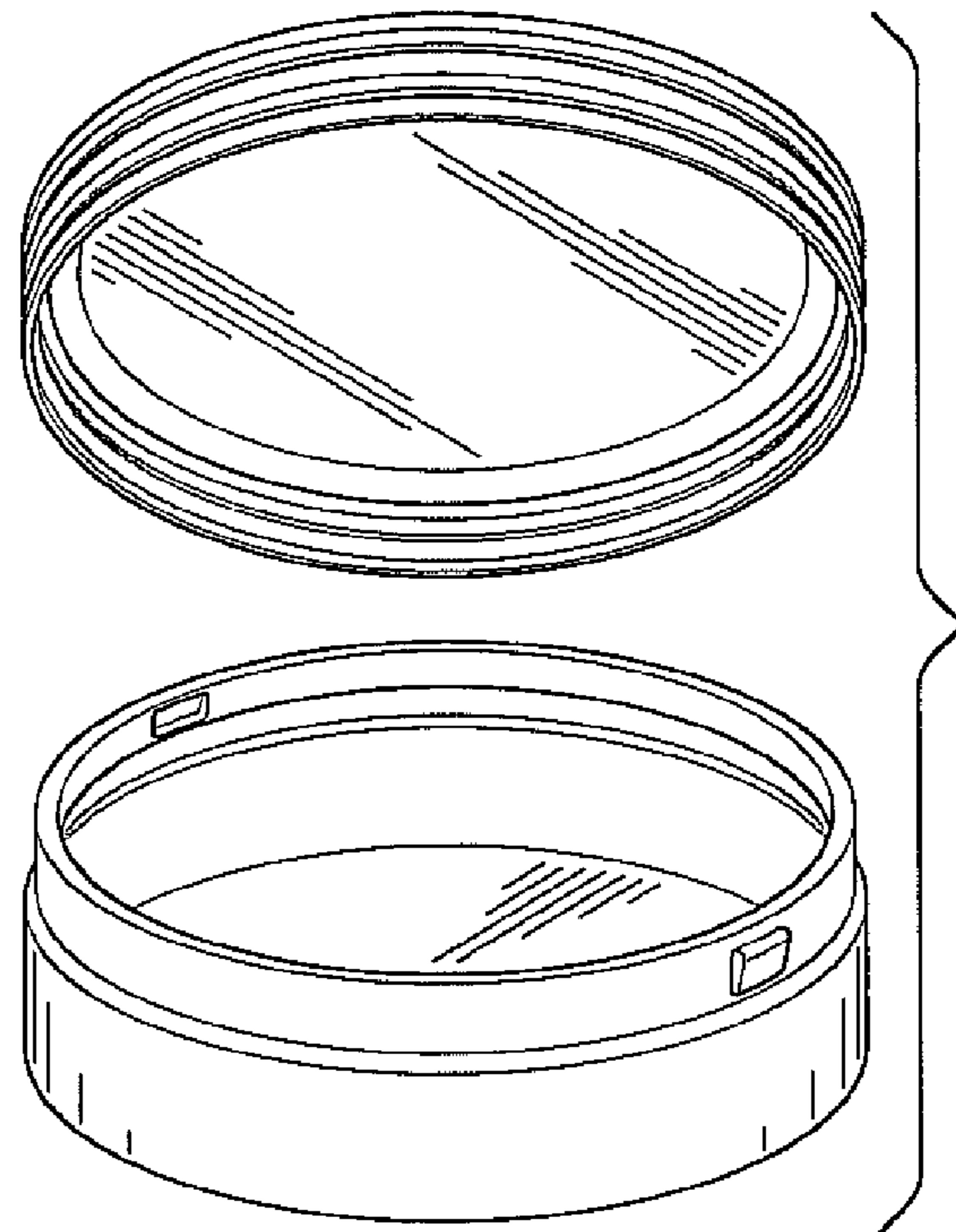


FIG. 2

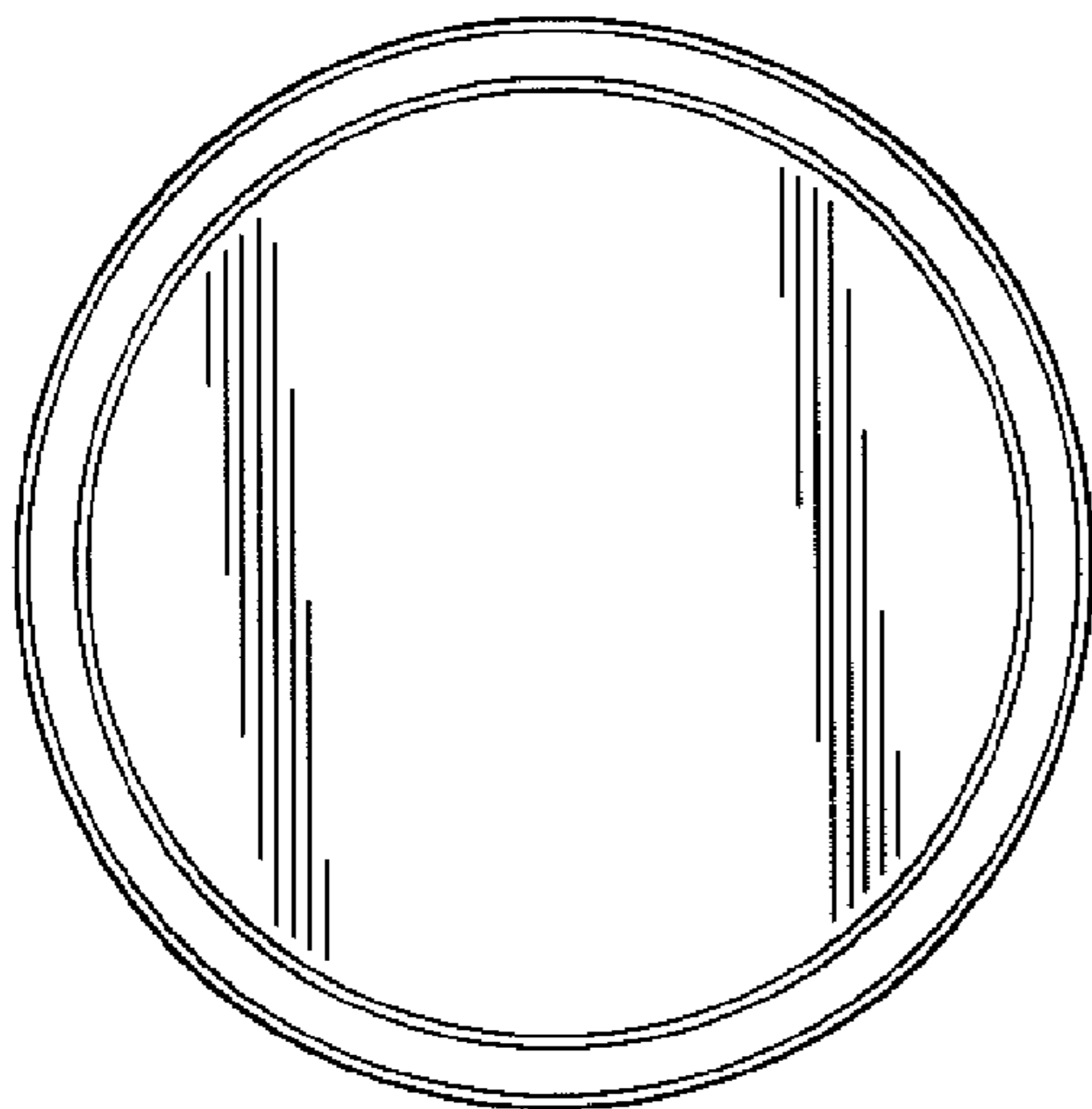


FIG. 3

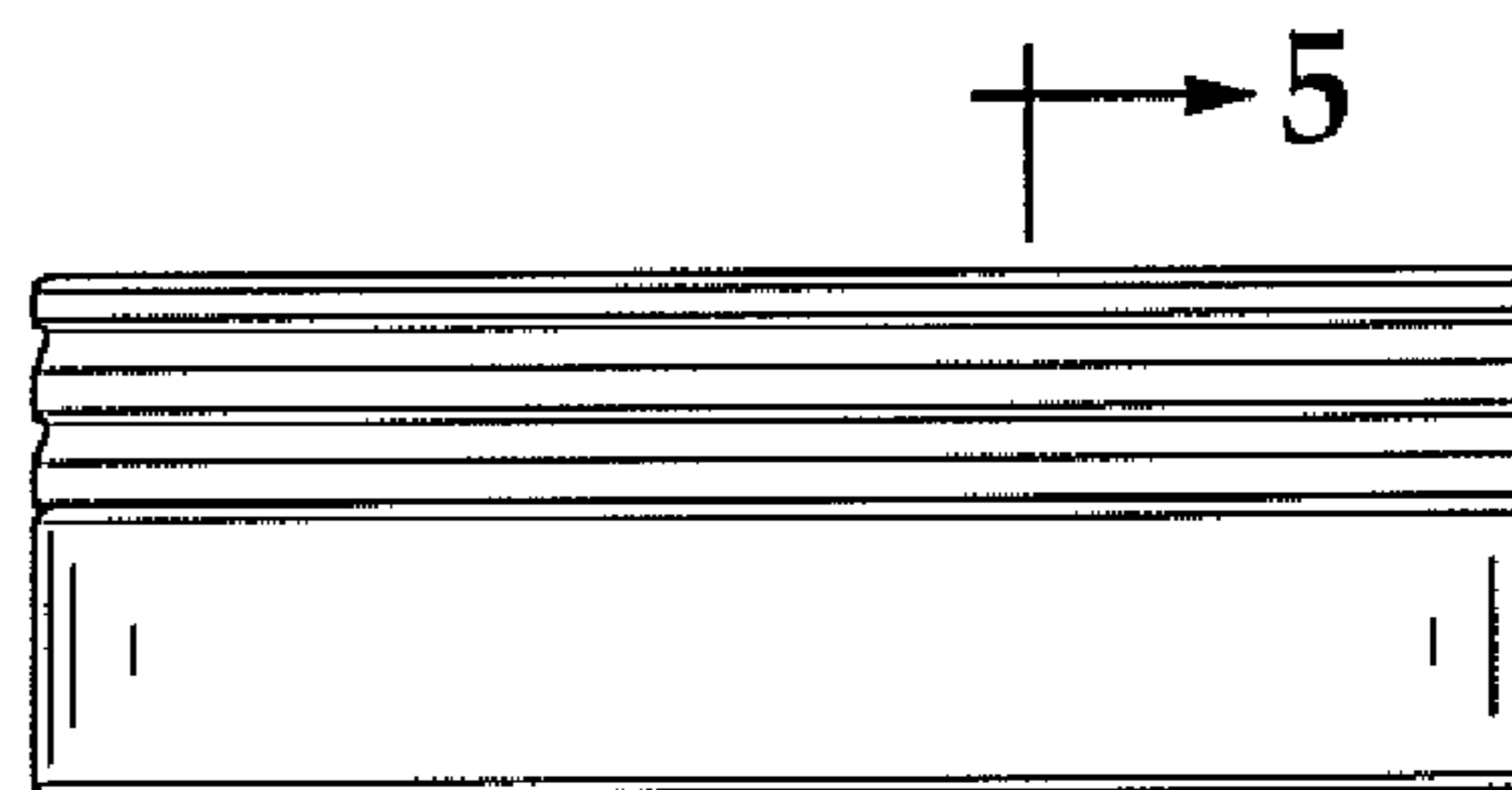


FIG. 4

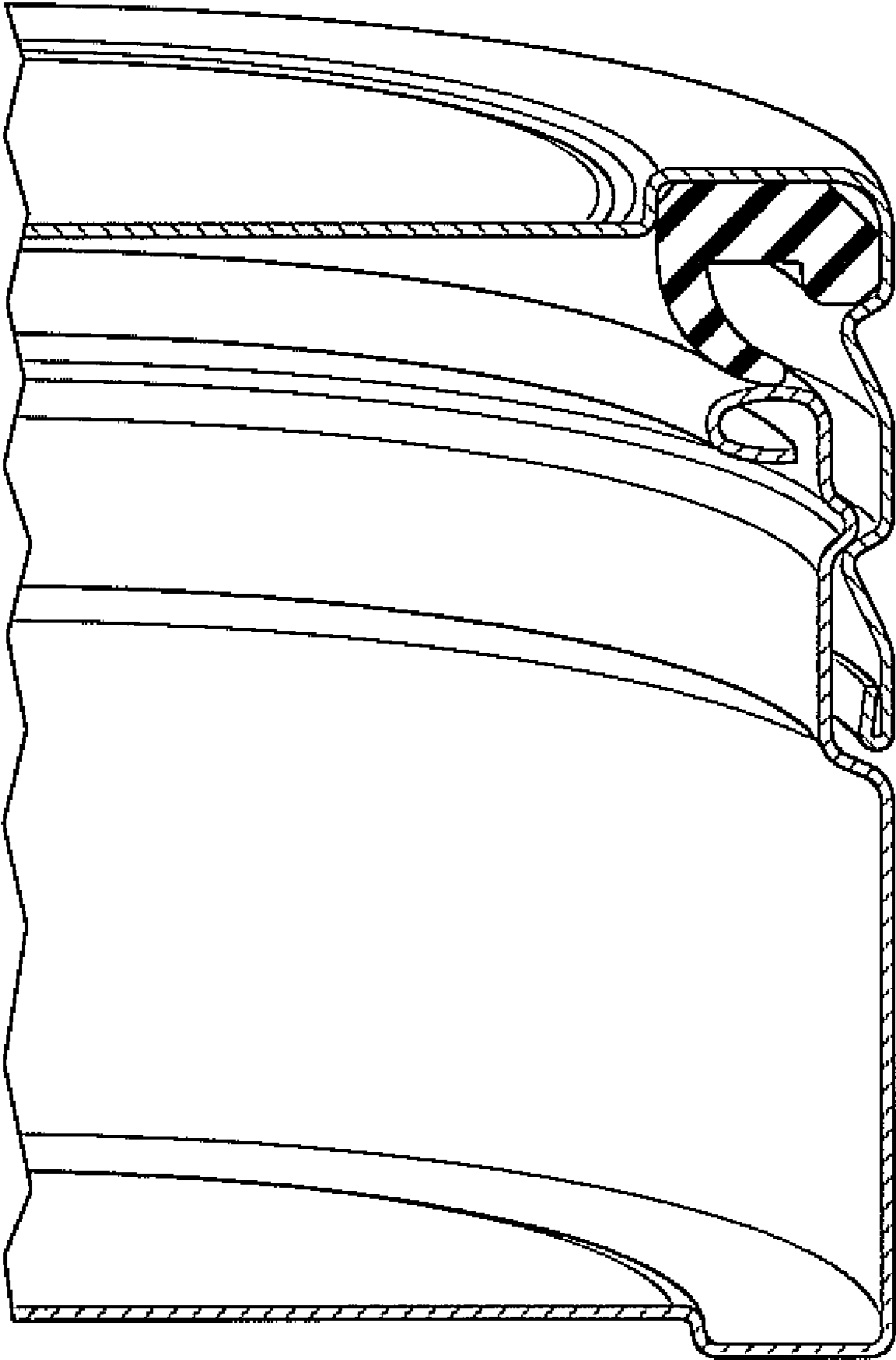


FIG. 5