



US00D581793S

(12) **United States Design Patent**  
**Manderfield, Jr.**

(10) **Patent No.:** **US D581,793 S**

(45) **Date of Patent:** **\*\* Dec. 2, 2008**

(54) **CONTAINER**

(75) **Inventor:** **Grover John Manderfield, Jr.,**  
Marietta, GA (US)

(73) **Assignee:** **Consolidated Container Company LP,**  
Atlanta, GA (US)

(\*\*) **Term:** **14 Years**

(21) **Appl. No.:** **29/248,929**

(22) **Filed:** **Sep. 11, 2006**

(51) **LOC (8) Cl.** ..... **09-03**

(52) **U.S. Cl.** ..... **D9/516**

(58) **Field of Classification Search** ..... D9/500,  
D9/502-504, 516, 520, 529-532, 535, 537-546,  
D9/549, 550, 556, 559, 563, 569; 215/14,  
215/200, 217, 218, 223, 241, 375, 379, 382-385,  
215/396, 398; 220/200, 260, 890; 222/92,  
222/109, 210, 212, 215  
See application file for complete search history.

(56) **References Cited**

**U.S. PATENT DOCUMENTS**

D403,578 S \* 1/1999 Paul et al. .... D9/434  
D474,114 S \* 5/2003 Vlahakis et al. .... D9/531

D534,431 S \* 1/2007 Harrell et al. .... D9/531  
D539,148 S \* 3/2007 Haller et al. .... D9/516  
D565,957 S \* 4/2008 Corker ..... D9/528

\* cited by examiner

*Primary Examiner*—Stella M Reid  
*Assistant Examiner*—Shanda C Hill

(74) *Attorney, Agent, or Firm*—Alston & Bird LLP

(57) **CLAIM**

The ornamental design for a container, as shown and described.

**DESCRIPTION**

FIG. 1 is a perspective view of a container showing my new design;

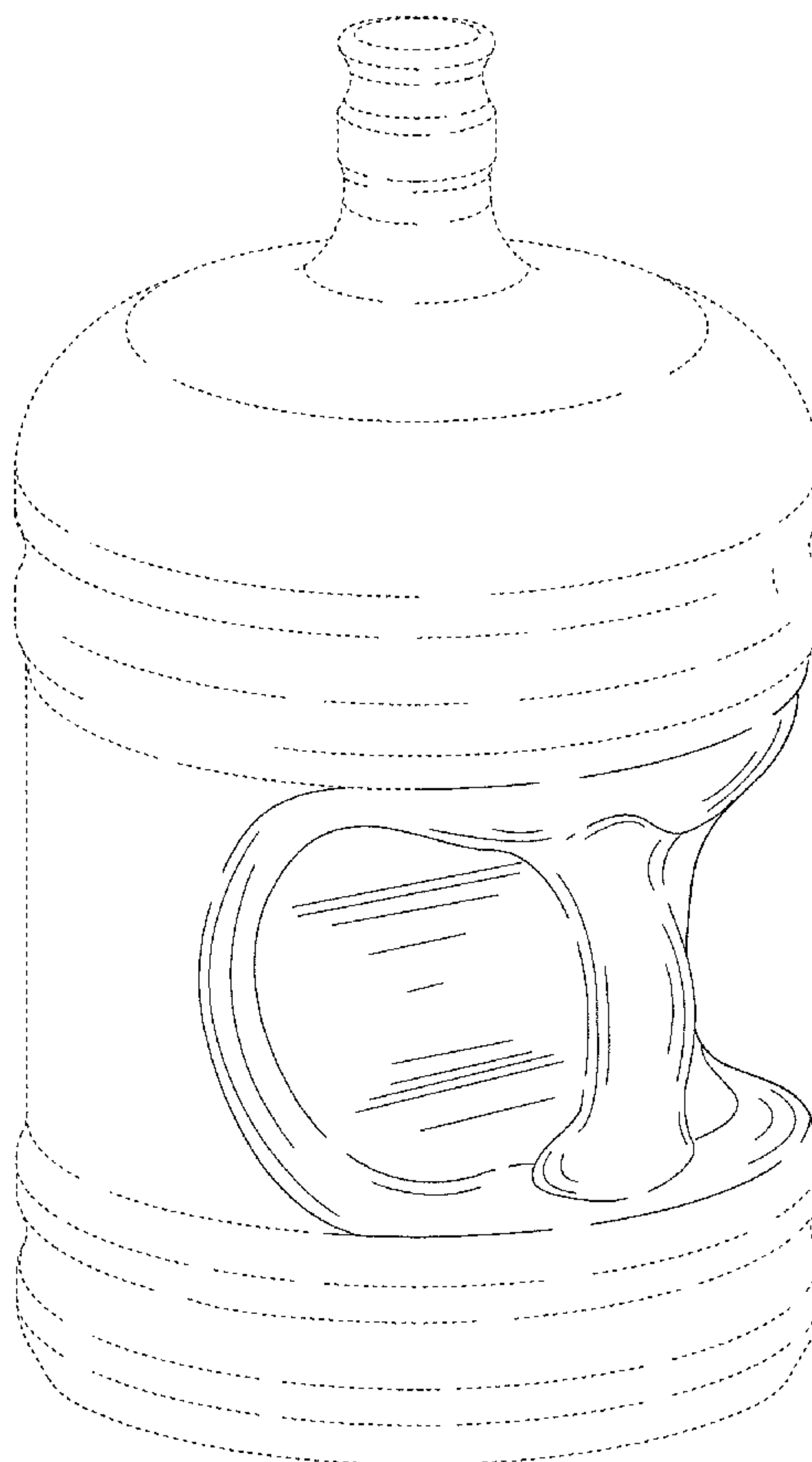
FIG. 2 is a side view thereof, the opposite side view being a mirror image thereof;

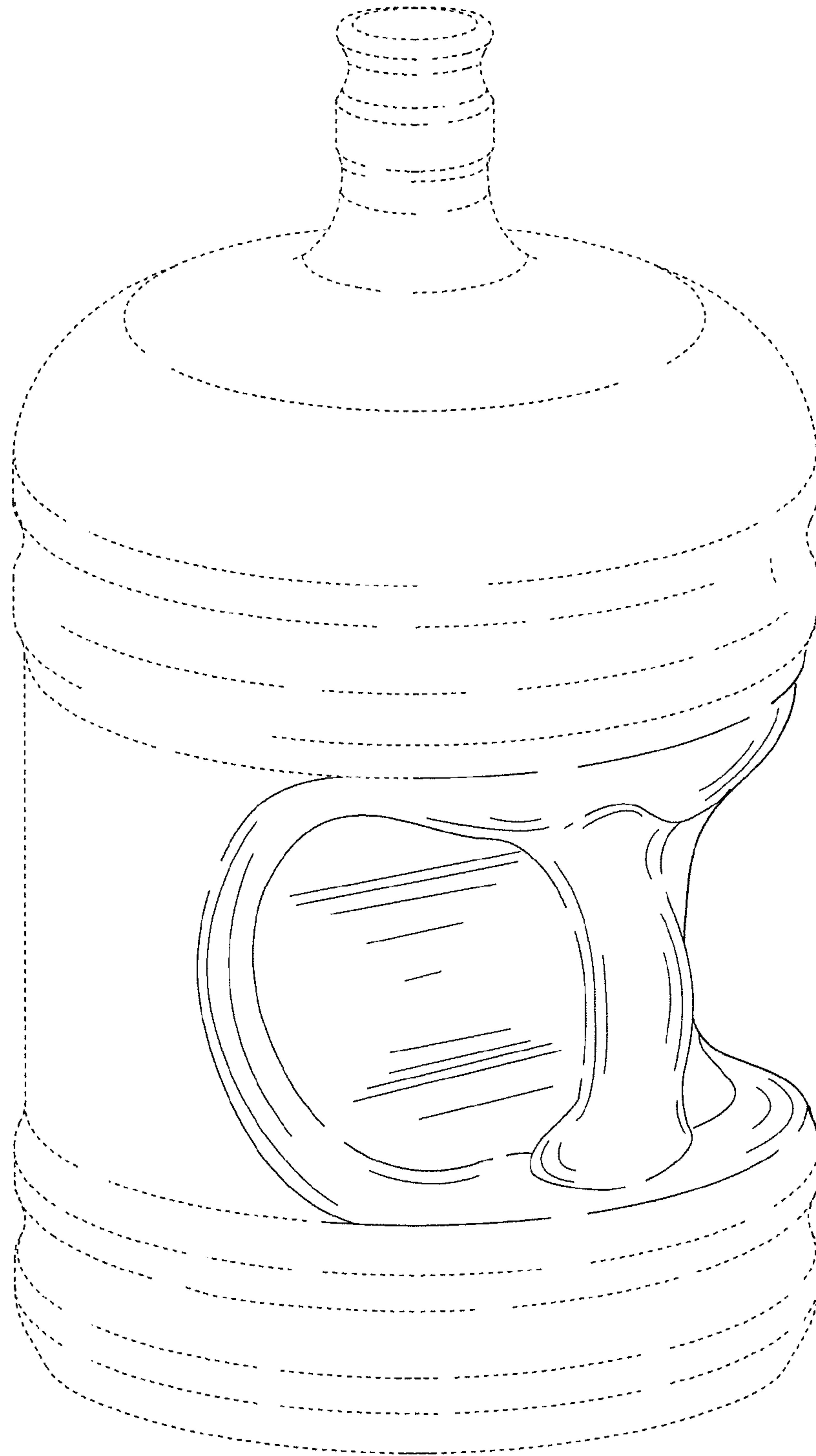
FIG. 3 is a front view thereof; and,

FIG. 4 is a bottom view thereof.

The broken lines shown in the drawing disclosure are for illustrative purposes only and form no part of the claimed design.

**1 Claim, 4 Drawing Sheets**





**FIG. 1**

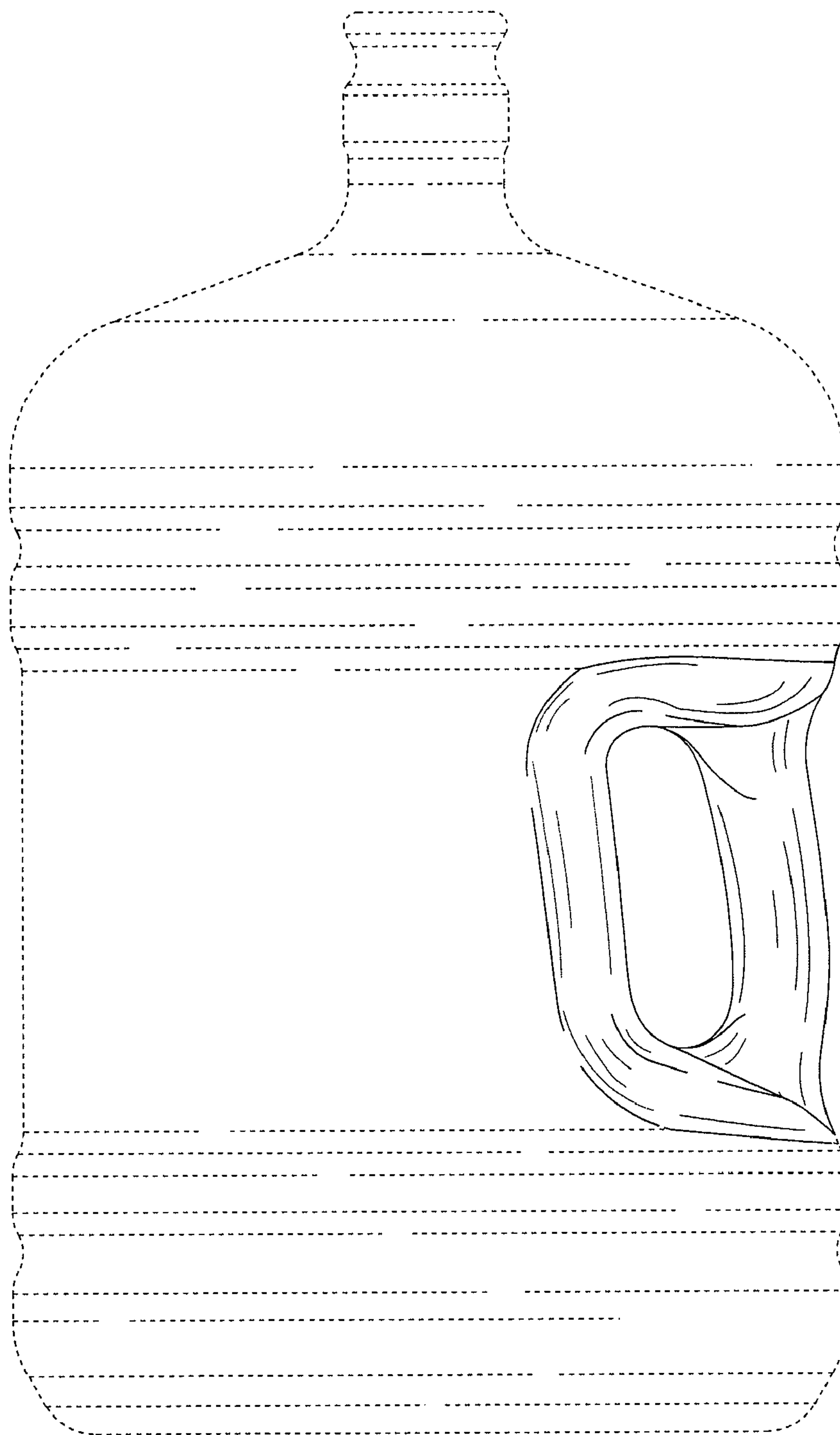
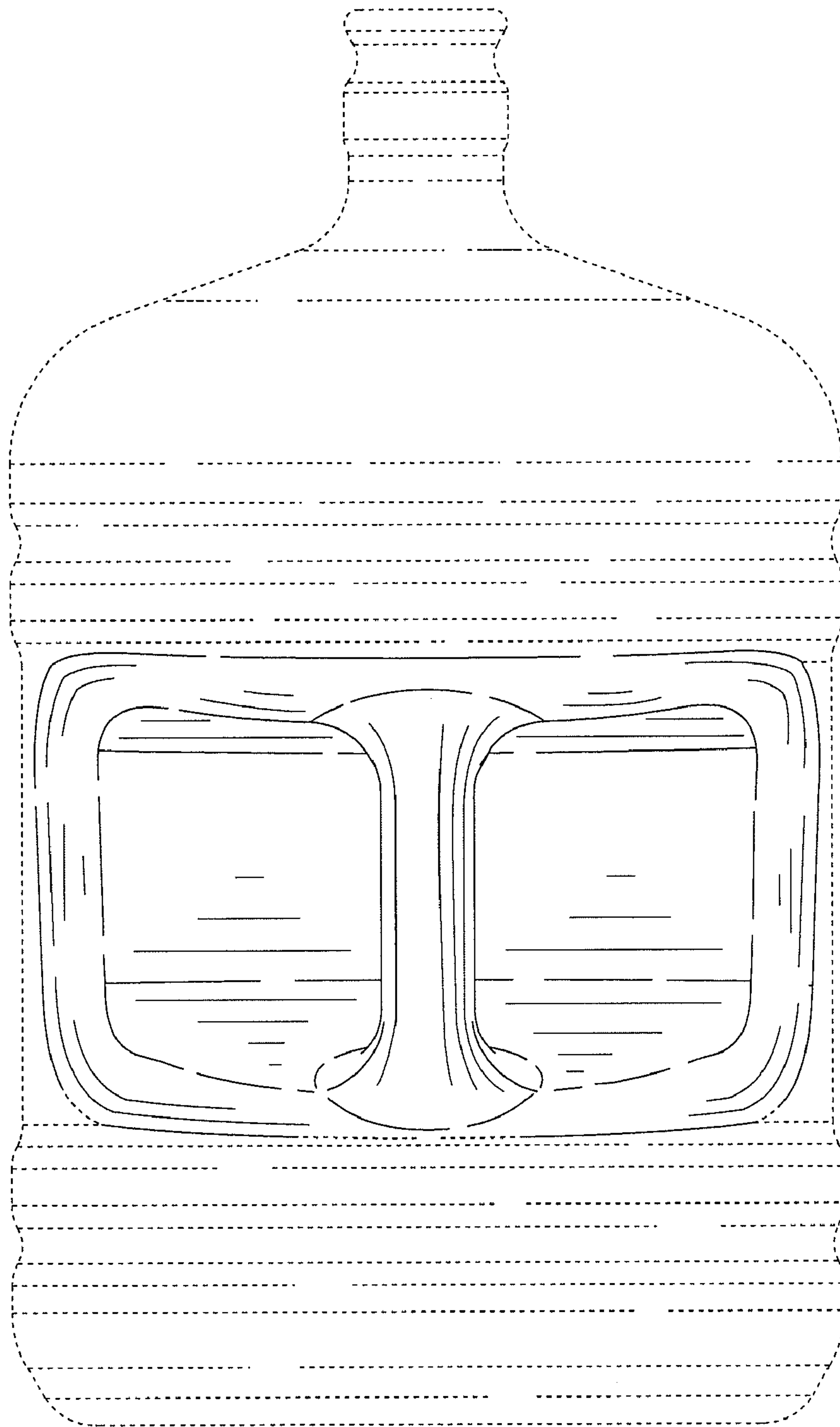
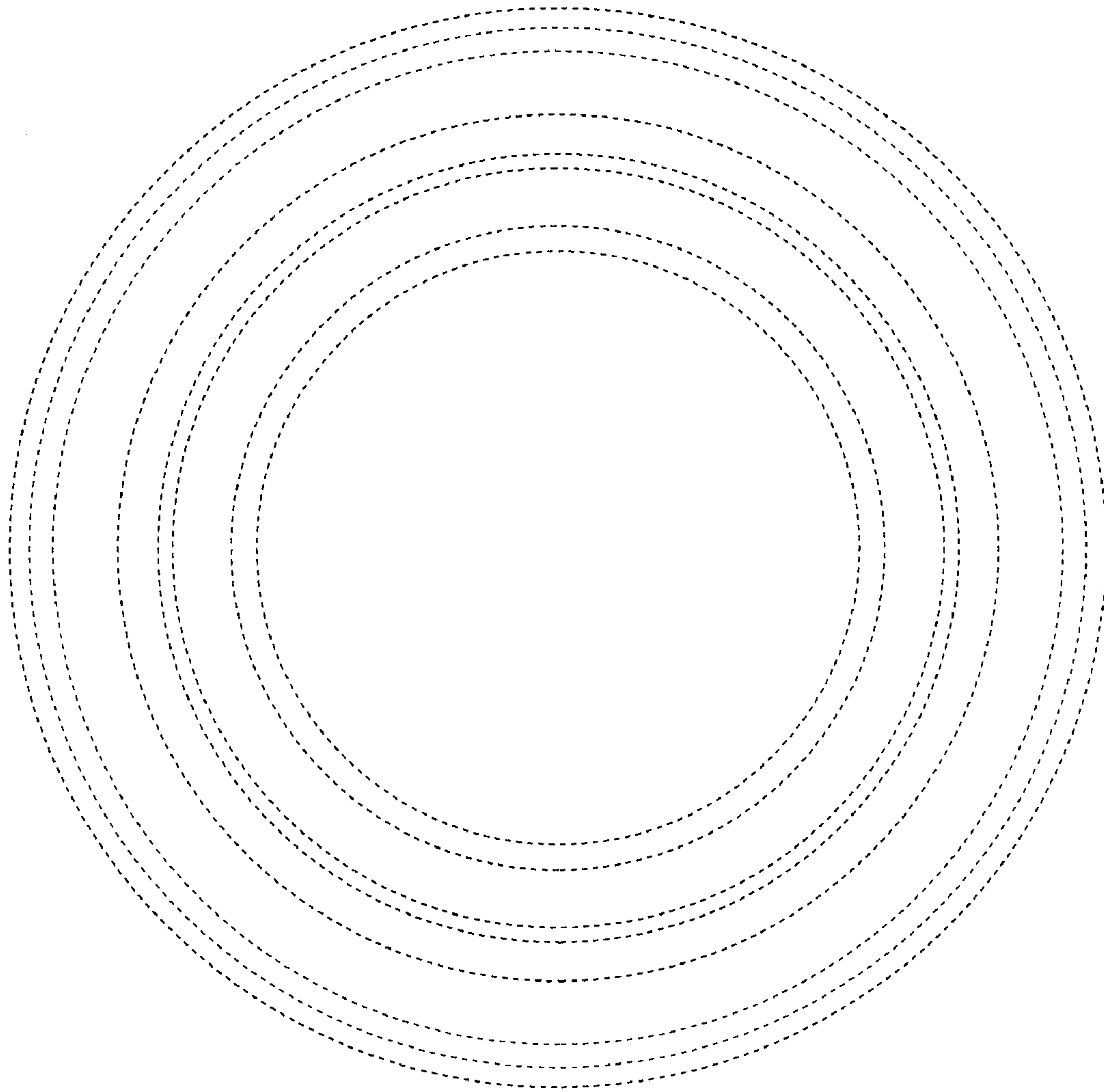


FIG. 2



**FIG. 3**



**FIG. 4**