



US00D581790S

(12) **United States Design Patent**
Hyde et al.

(10) **Patent No.:** **US D581,790 S**
(45) **Date of Patent:** **** Dec. 2, 2008**

(54) **HINGED CLOSURE**

(75) Inventors: **Kevin Hyde**, Tervuren (BE); **Chris Forecast**, London (GB); **Craig Glass**, Longon (GB)

(73) Assignee: **The Coca-Cola Company**, Atlanta, GA (US)

(**) Term: **14 Years**

(21) Appl. No.: **29/278,536**

(22) Filed: **Apr. 2, 2007**

(51) **LOC (8) Cl.** **09-07**

(52) **U.S. Cl.** **D9/449; D9/454; D9/453**

(58) **Field of Classification Search** D9/453,
D9/450, 449, 446, 438; 222/571, 567, 566,
222/545, 544, 484, 481.5, 480; 220/810;
215/556, 235; D28/82

See application file for complete search history.

(56) **References Cited**

U.S. PATENT DOCUMENTS

- D480,305 S * 10/2003 Nusbaum et al. D9/449
- D530,611 S * 10/2006 Nusbaum et al. D9/449
- D534,801 S * 1/2007 McMurrey et al. D9/453
- D548,081 S * 8/2007 Noonan D9/453
- D556,575 S * 12/2007 Nusbaum et al. D9/449
- 2004/0188374 A1* 9/2004 Ochoa Laburu 215/235
- 2007/0102389 A1* 5/2007 Hoepner et al. 215/235

2007/0102390 A1* 5/2007 Hoepner et al. 215/235
* cited by examiner

Primary Examiner—Gary D. Watson
Assistant Examiner—Susan Bennett Hattan
(74) *Attorney, Agent, or Firm*—Sutherland Asbill & Brennan LLP

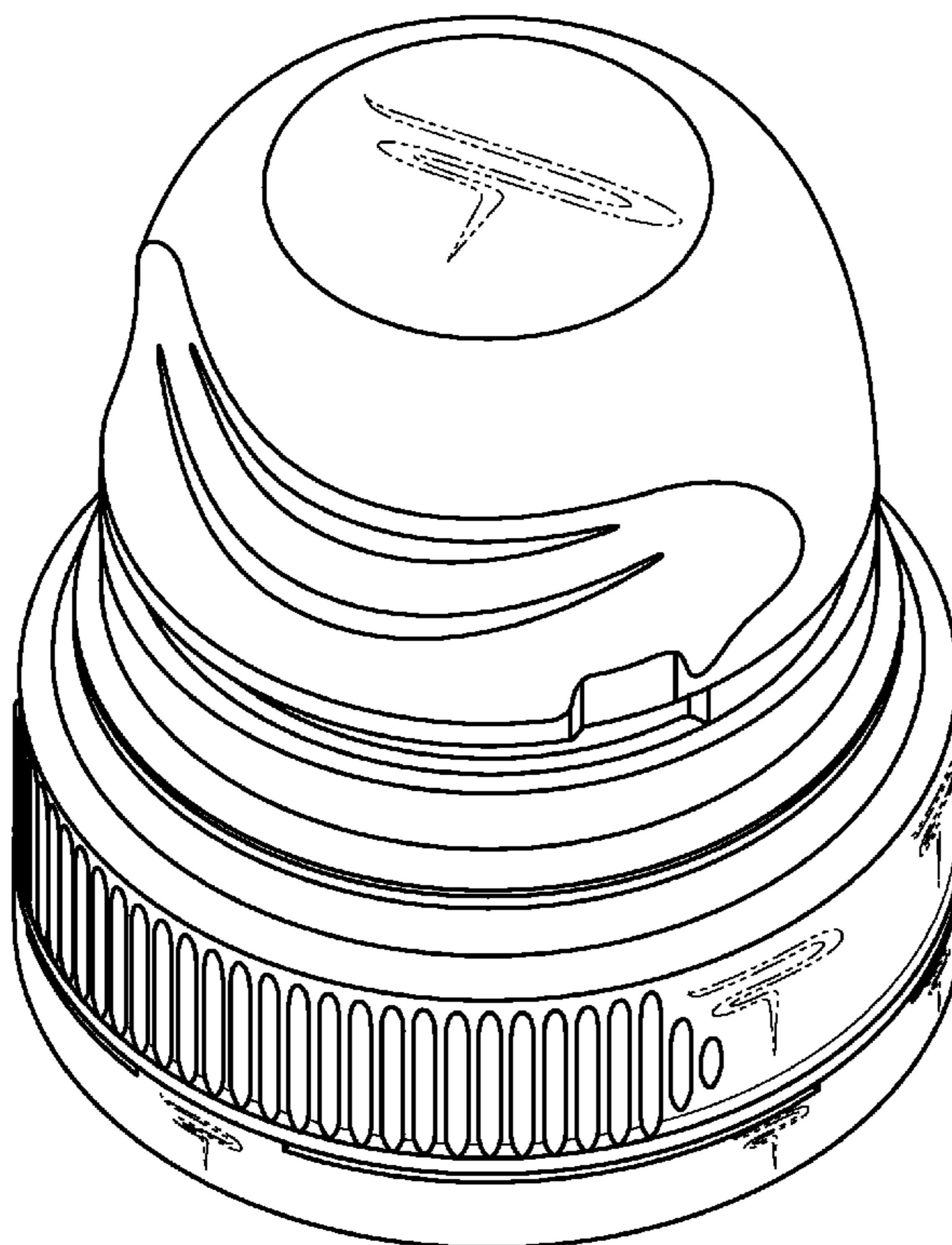
(57) **CLAIM**

The ornamental design for a hinged closure, as shown and described.

DESCRIPTION

FIG. 1 is a perspective view of our new hinged closure;
FIG. 2 is a back view thereof;
FIG. 3 is a right view thereof;
FIG. 4 is a front view thereof;
FIG. 5 is a left view thereof;
FIG. 6 is a top view thereof;
FIG. 7 is a bottom view thereof;
FIG. 8 is a perspective view of the invention in an alternative position of use;
FIG. 9 is a front view thereof;
FIG. 10 is a back view thereof;
FIG. 11 is a right view thereof; and,
FIG. 12 is a left view thereof.

1 Claim, 8 Drawing Sheets



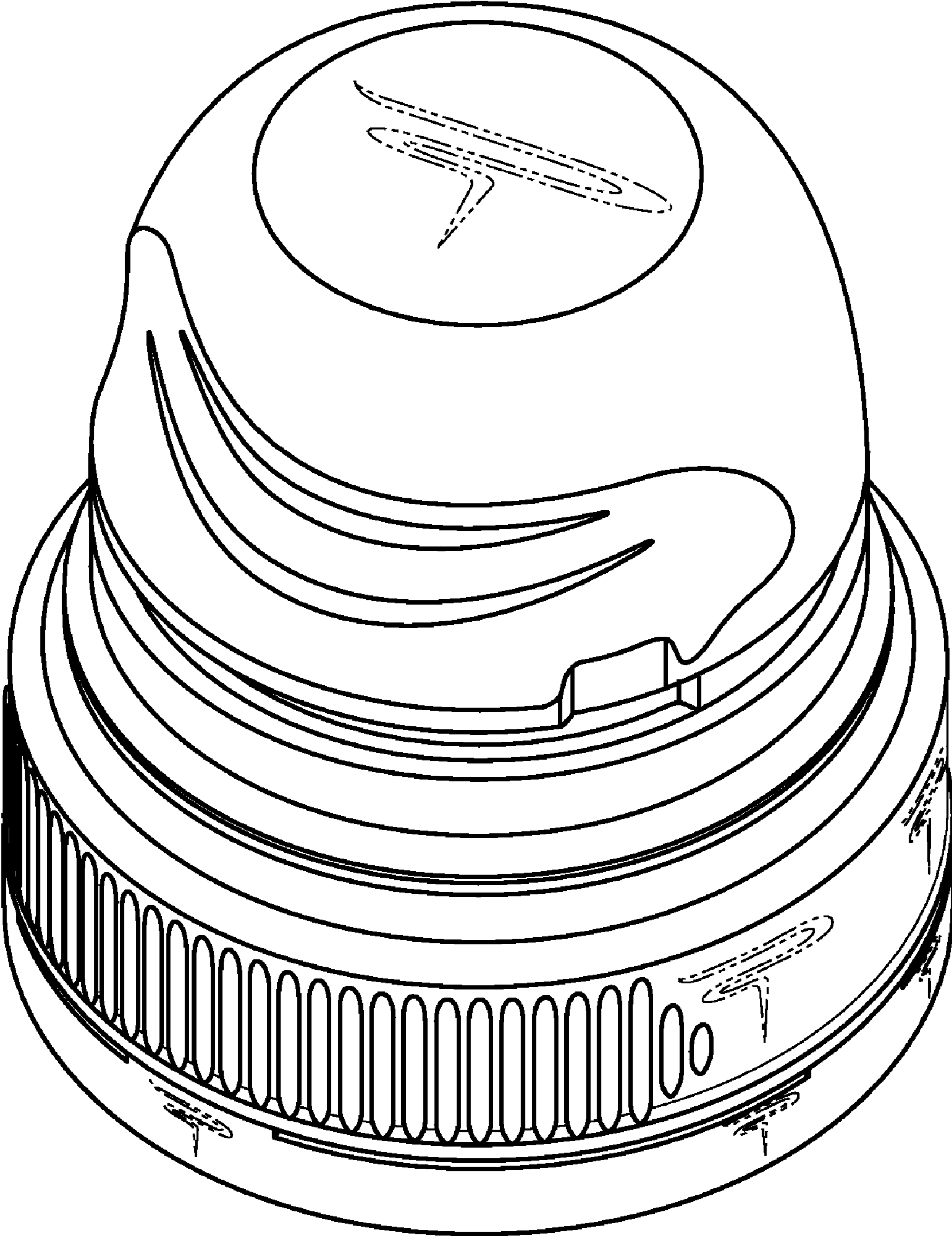


Fig. 1

Fig. 2

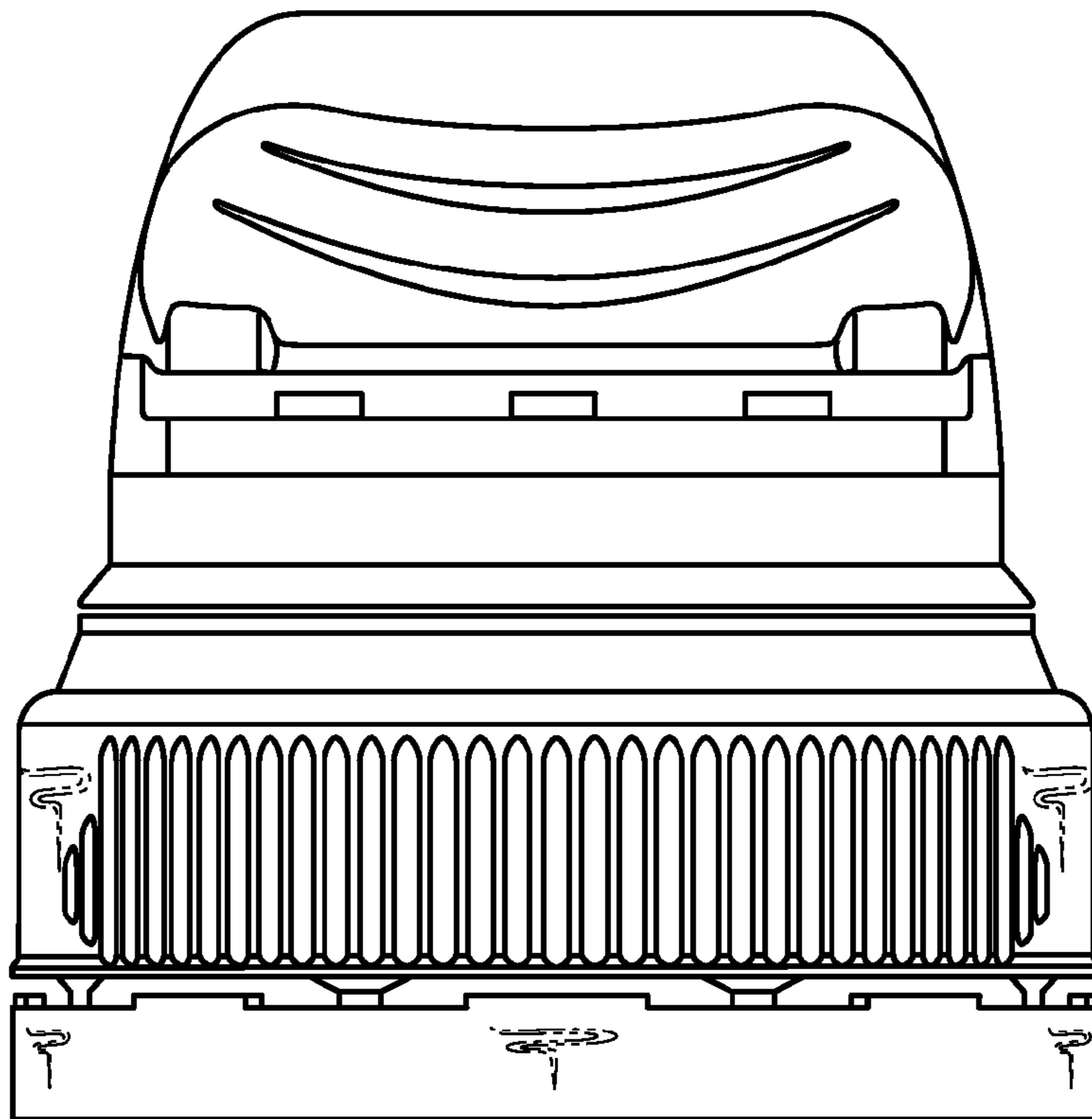


Fig. 3

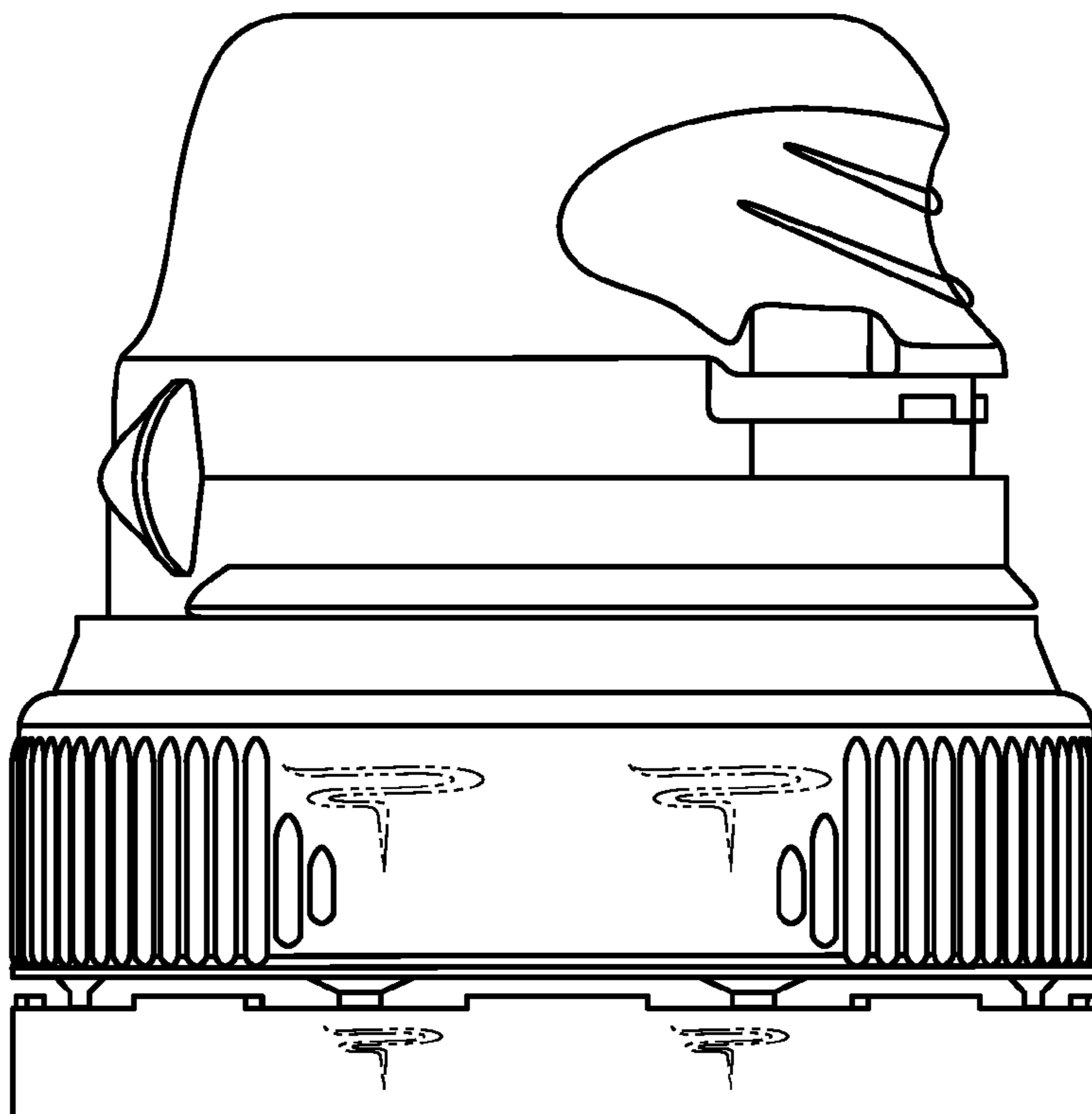


Fig. 4

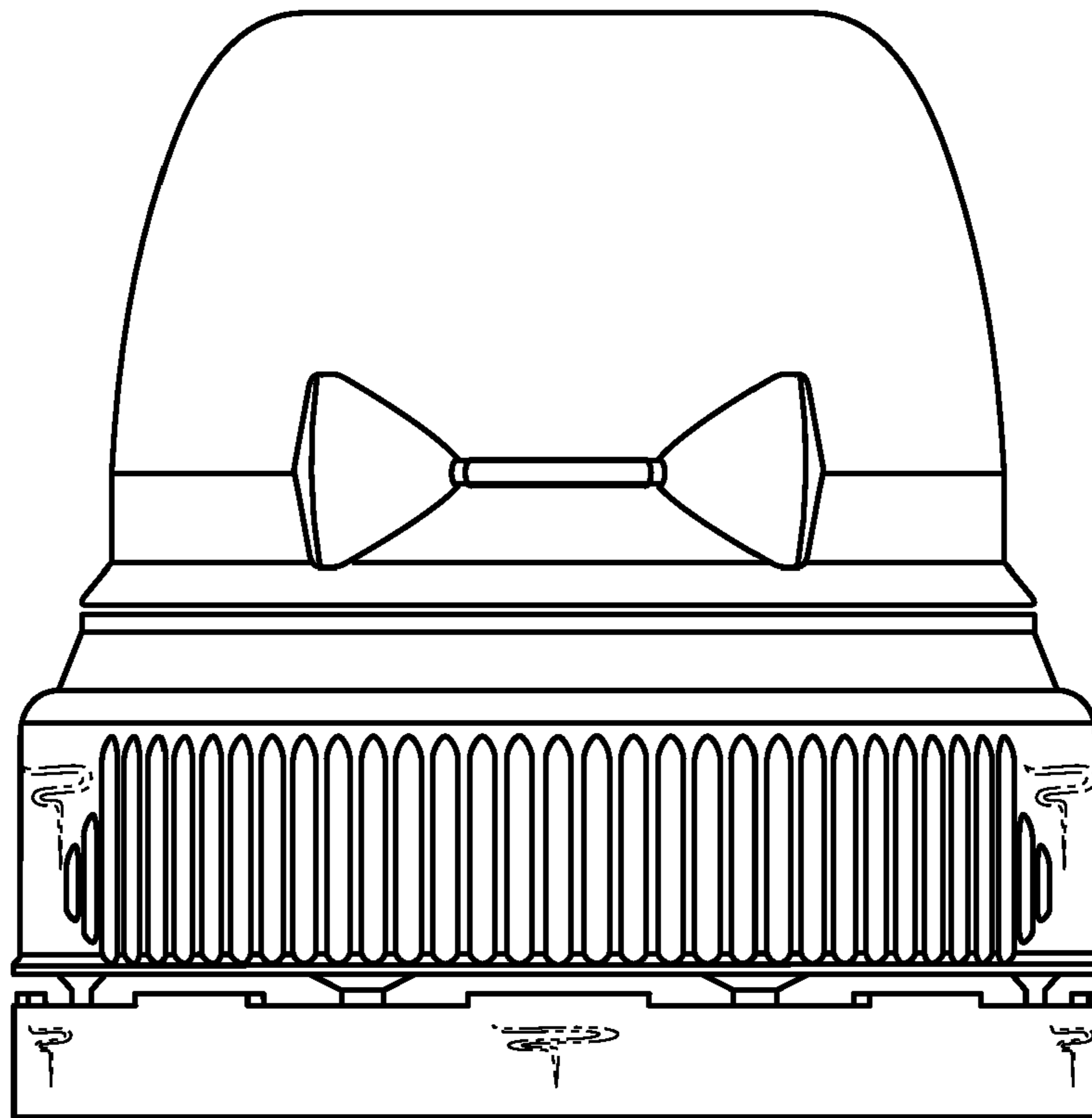


Fig. 5

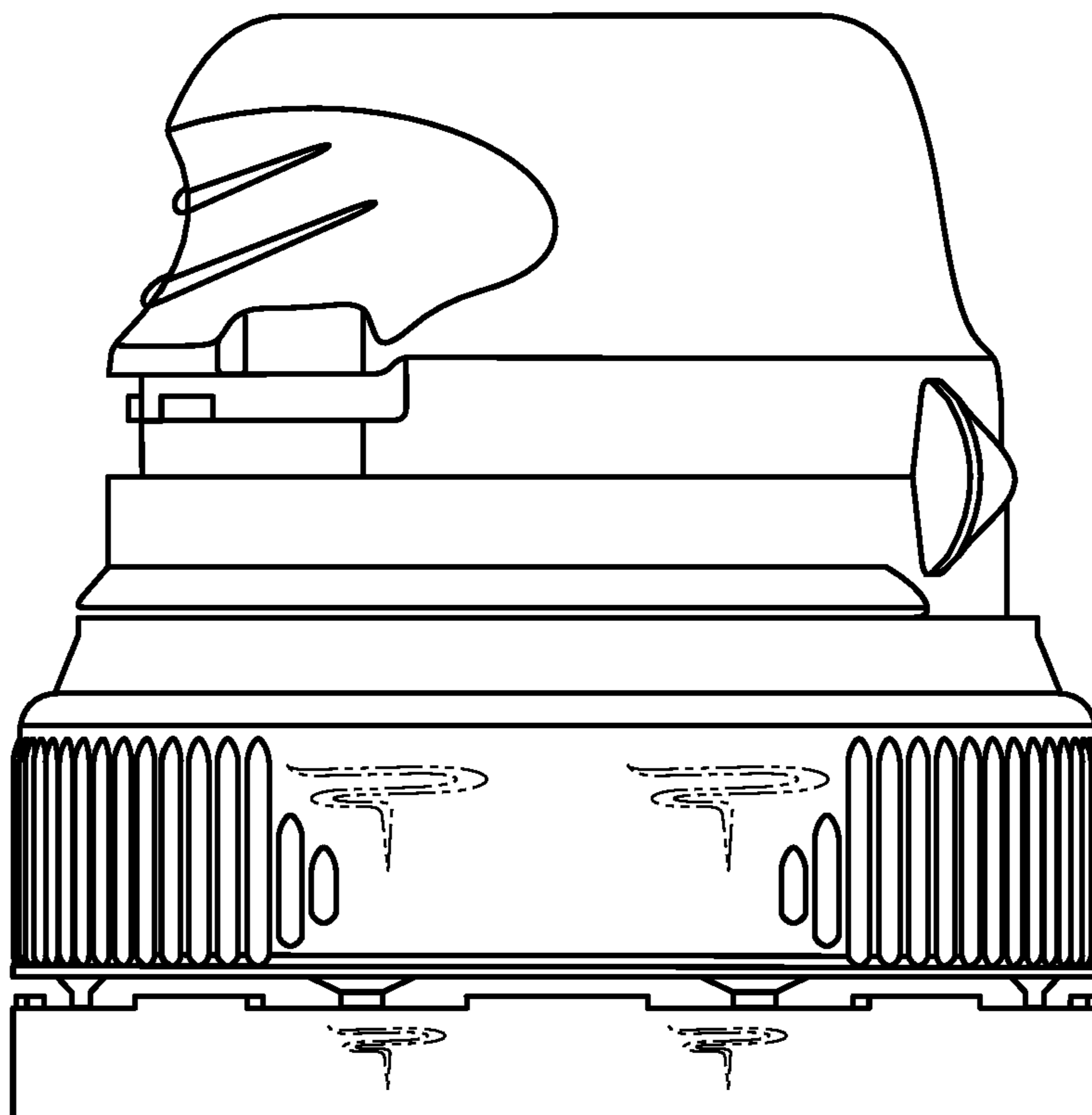


Fig. 6

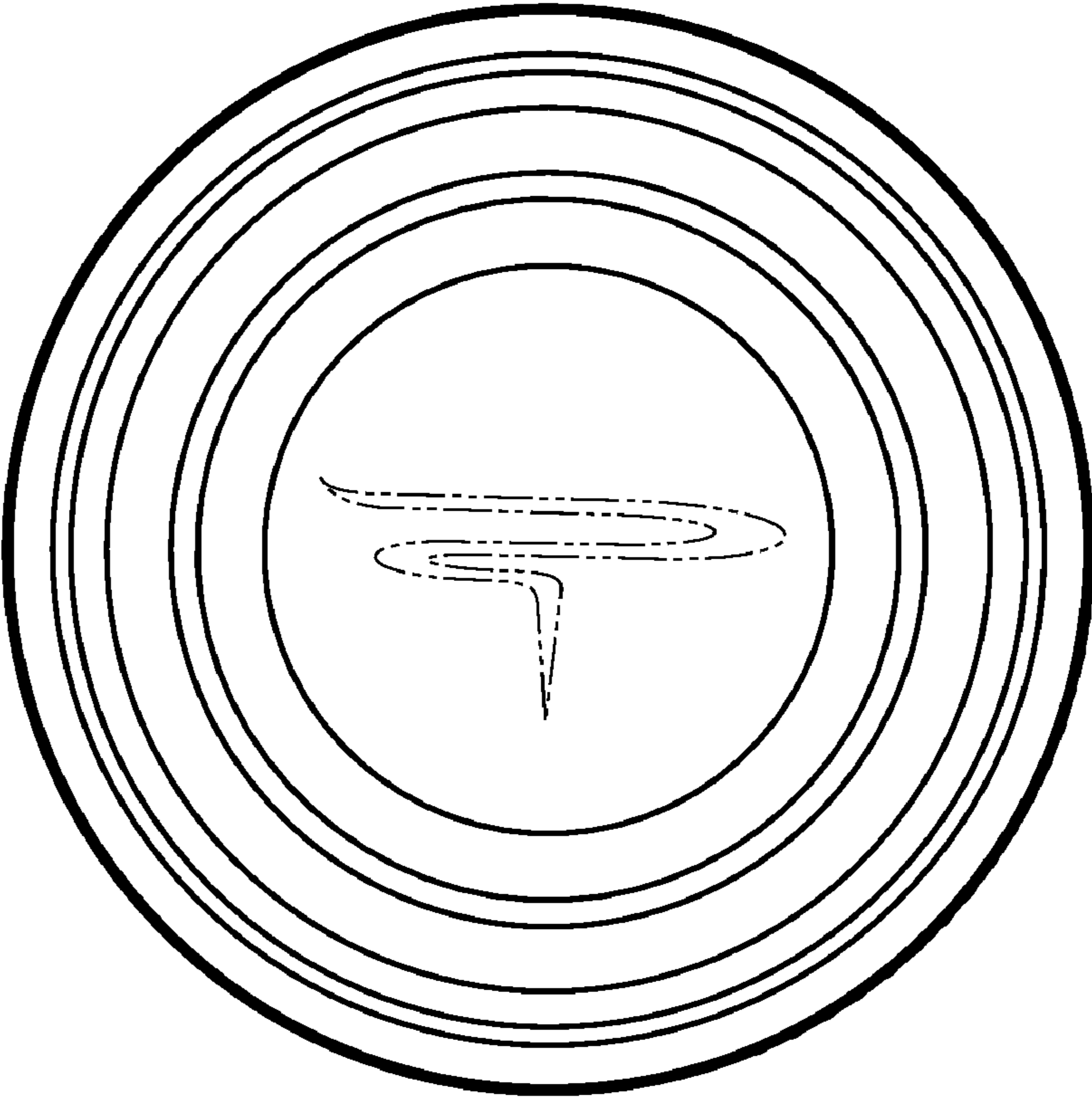
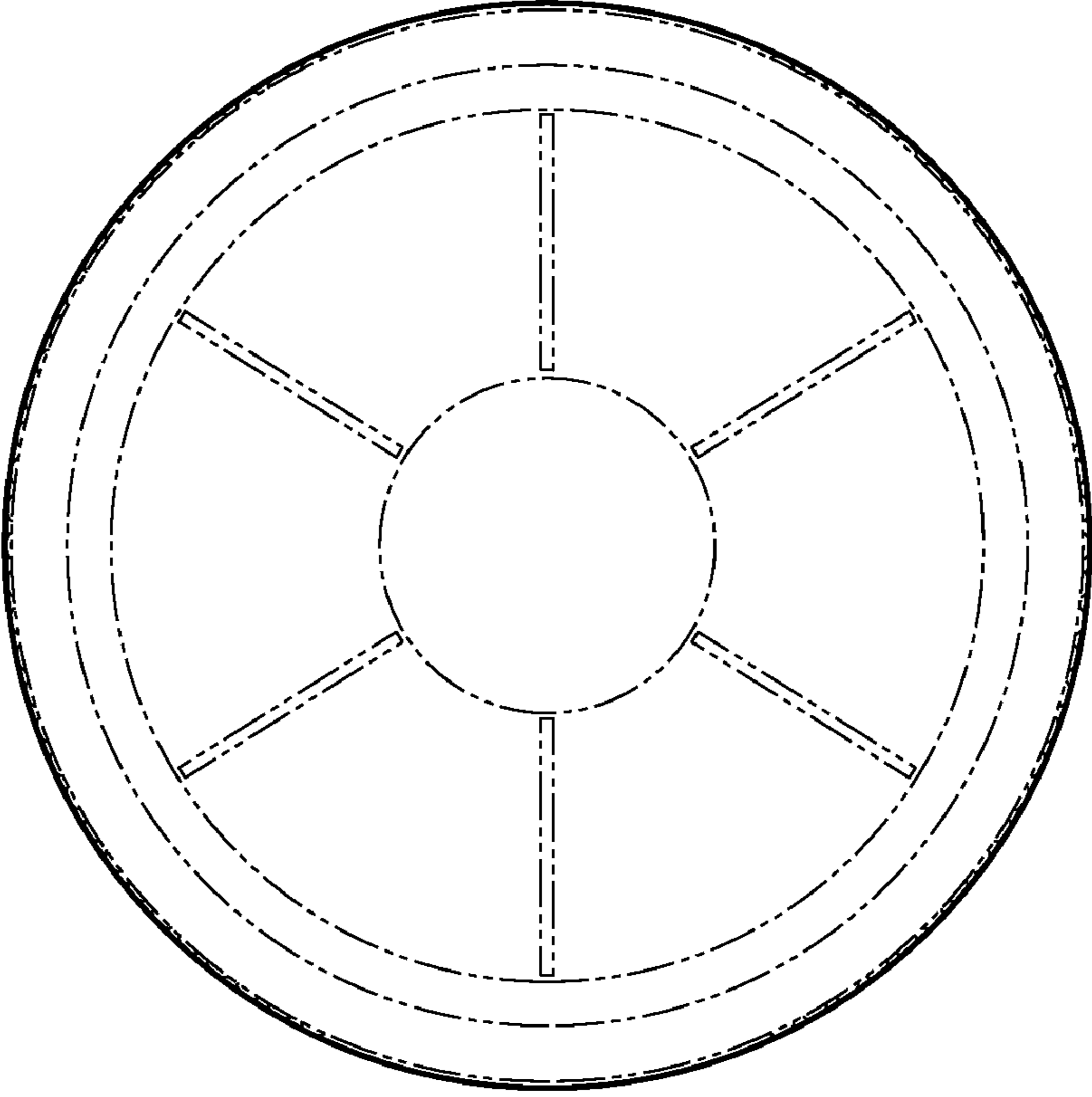


Fig. 7



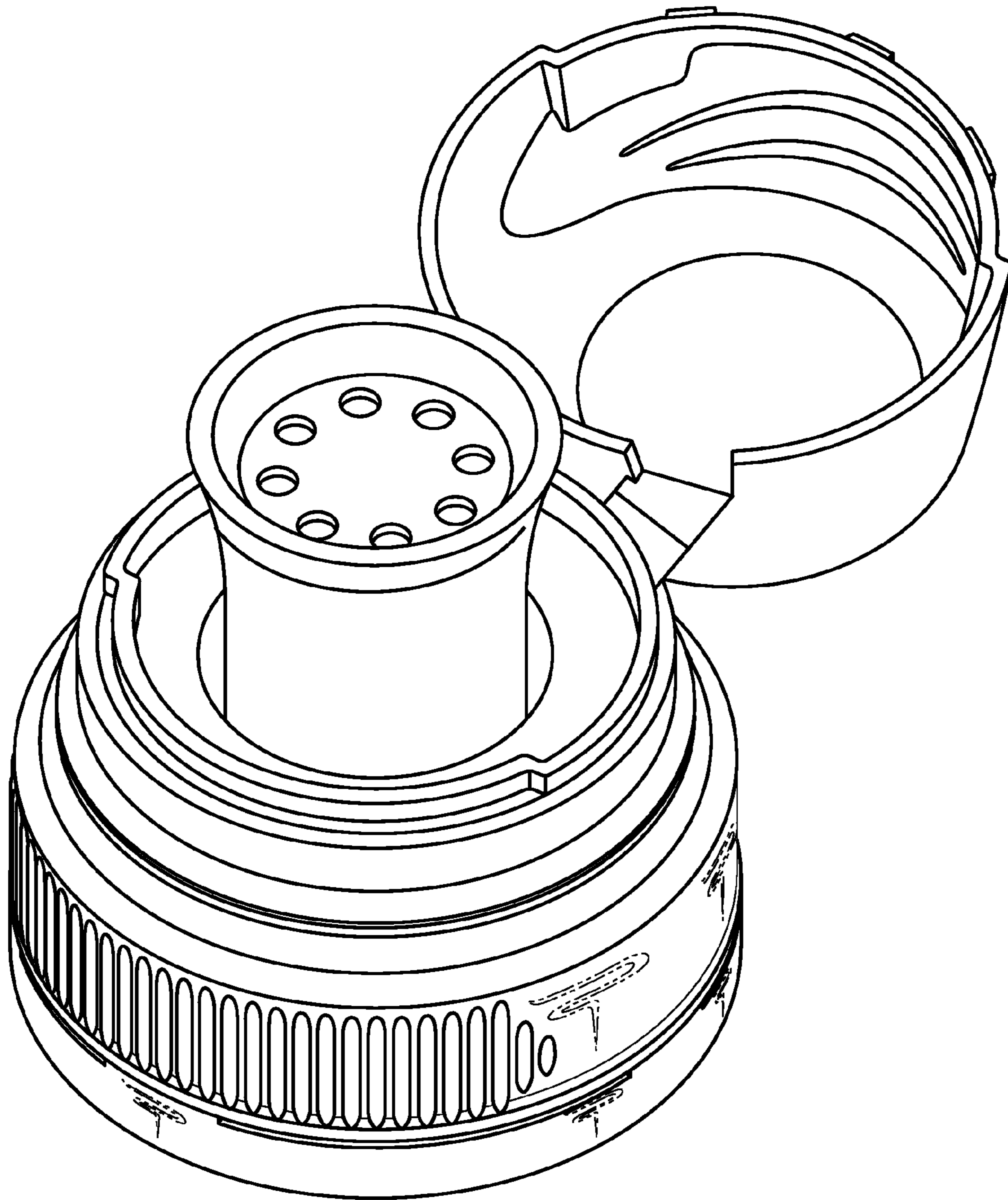


Fig. 8

Fig. 9

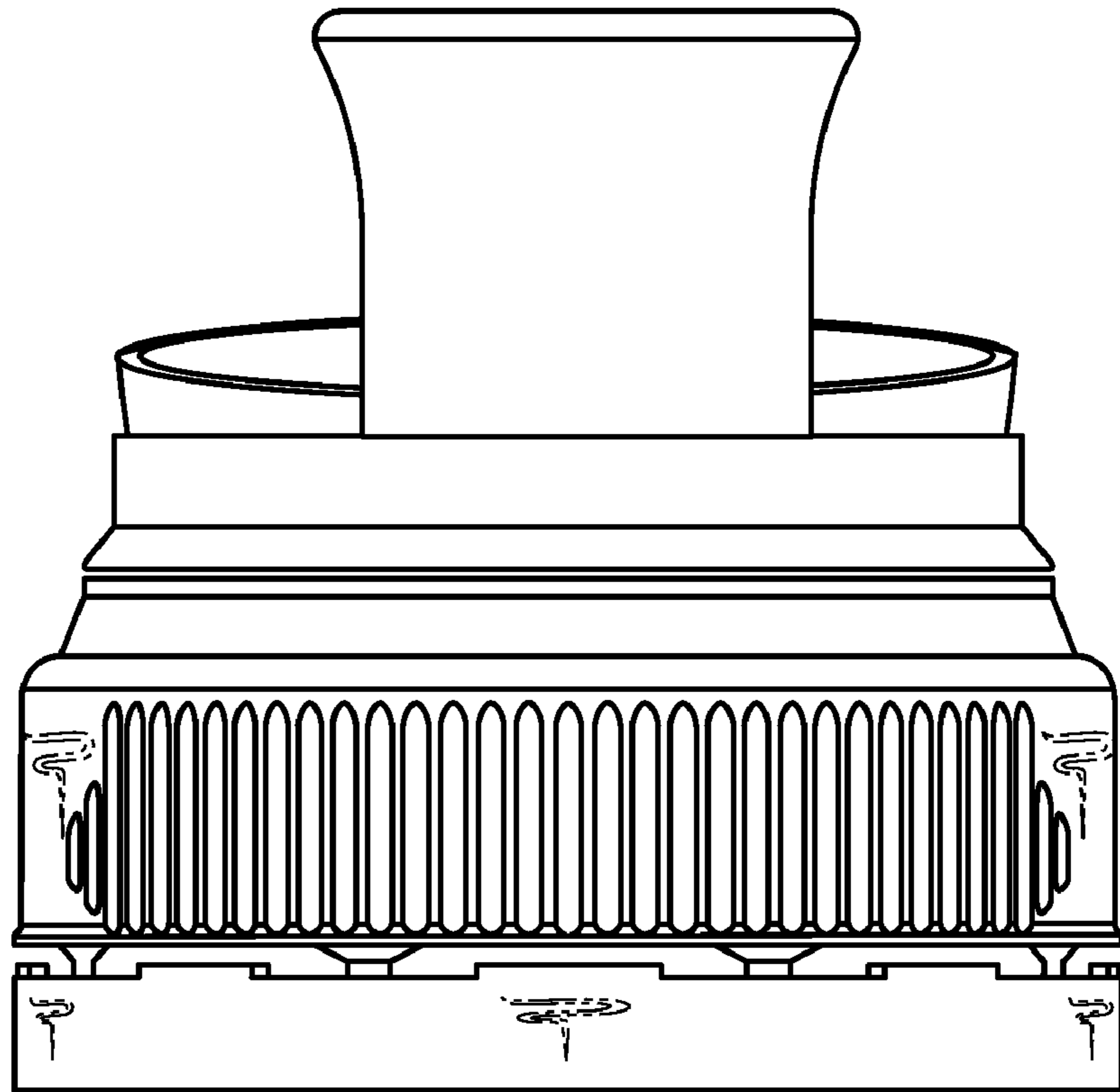
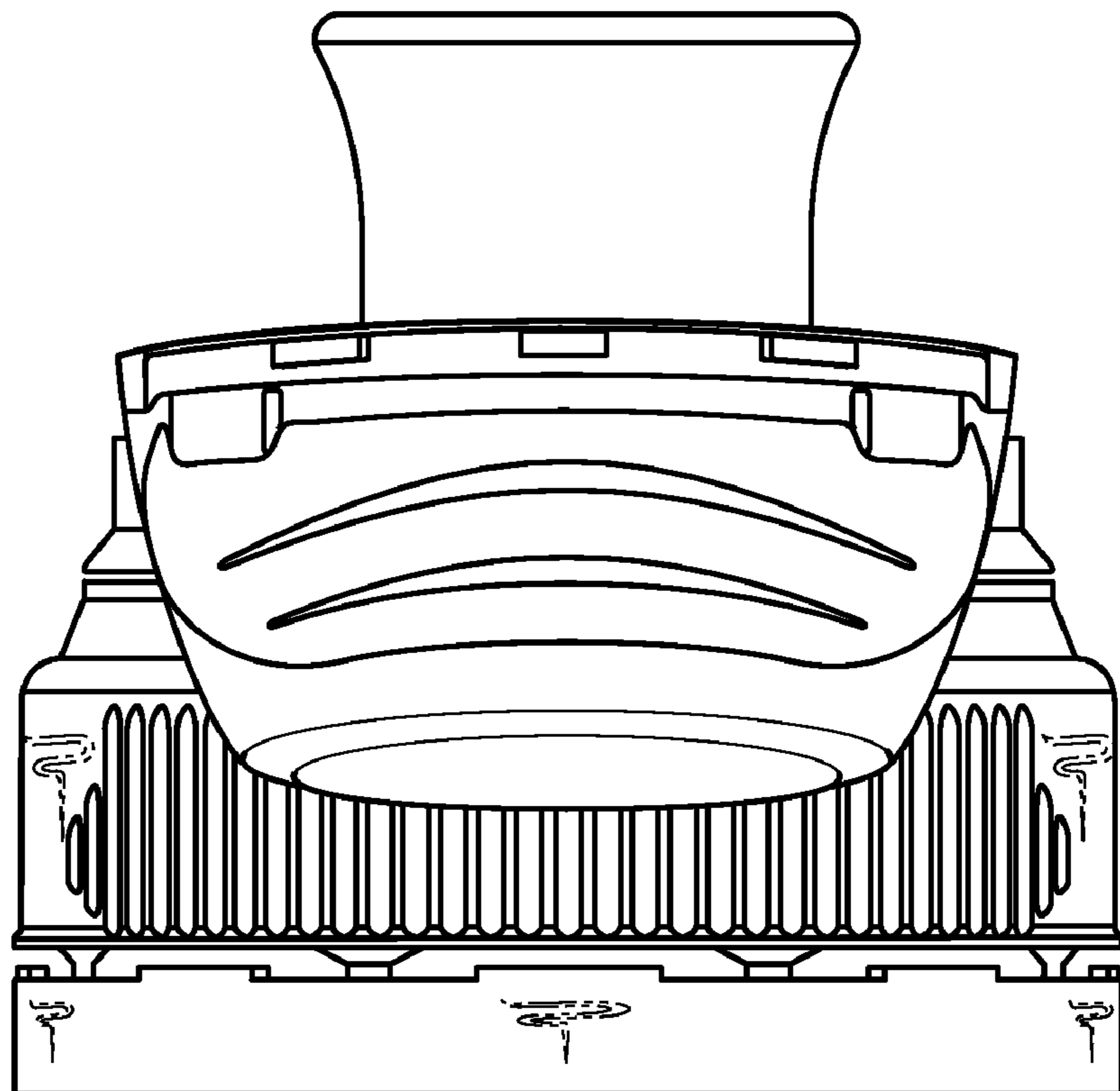


Fig. 10



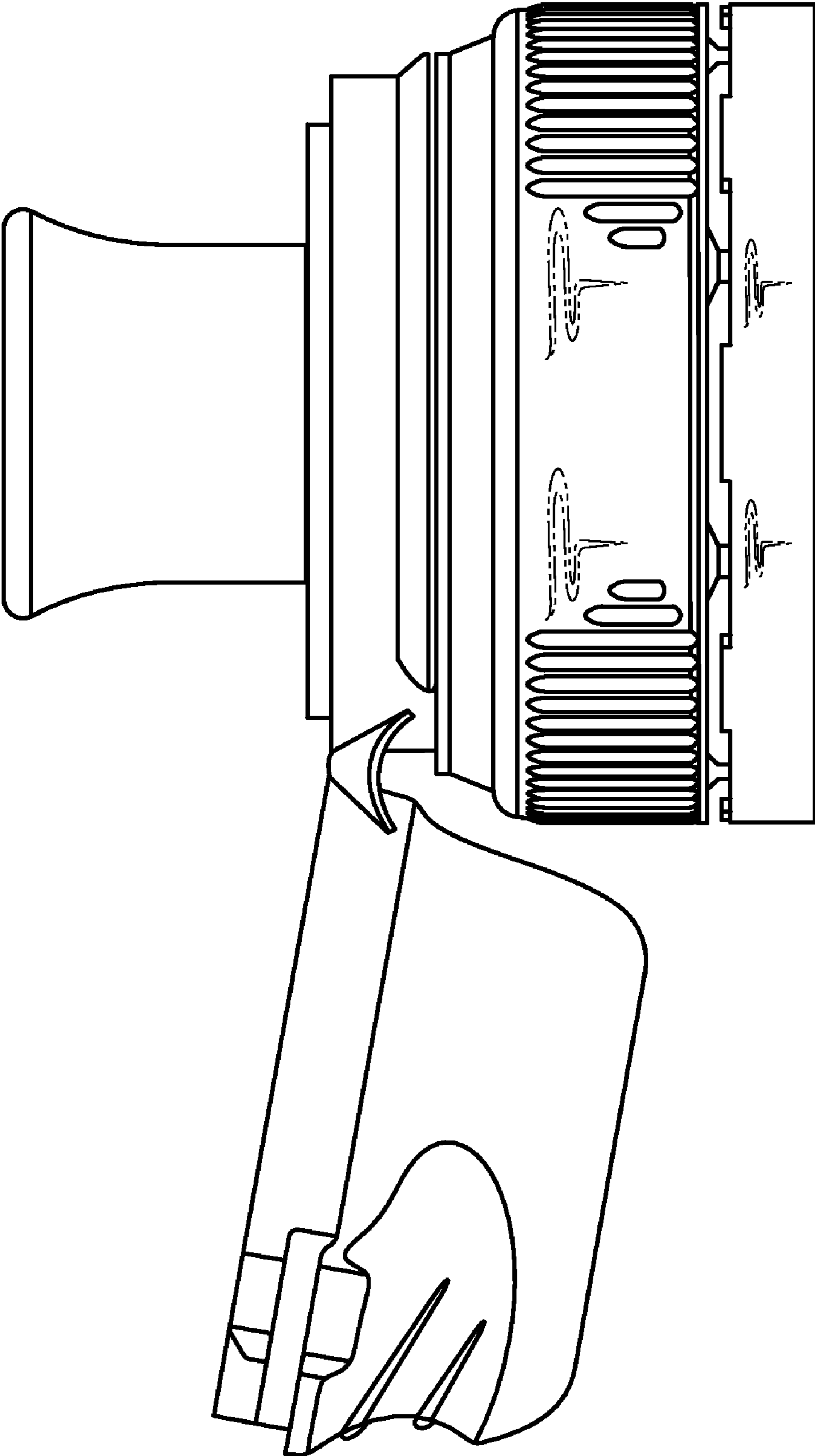


Fig. 11

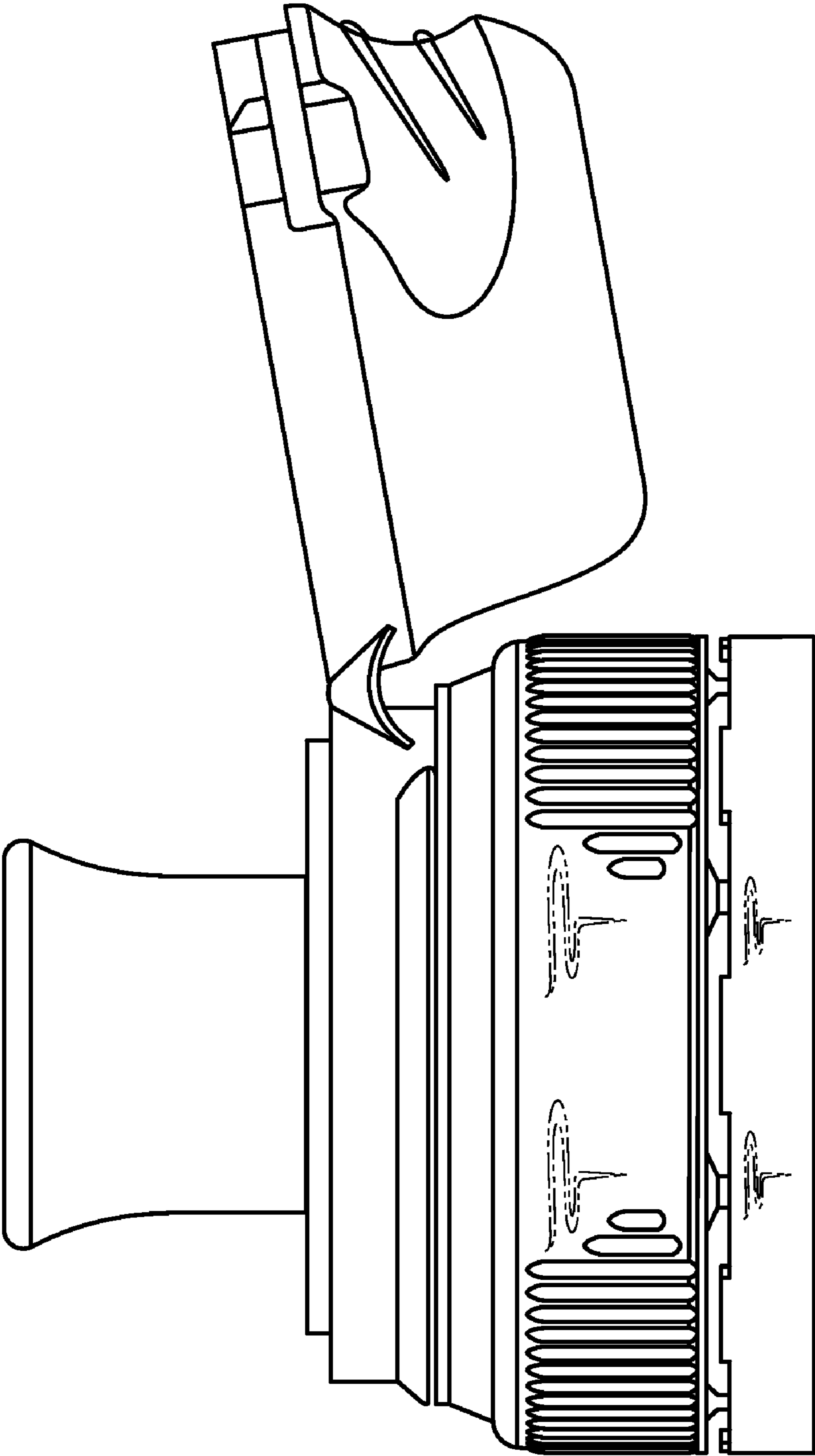


Fig. 12