



US00D581787S

(12) **United States Design Patent**
Davis et al.

(10) **Patent No.:** **US D581,787 S**
(45) **Date of Patent:** **** Dec. 2, 2008**

(54) **DISPENSING DEVICE**

(75) Inventors: **William John Davis**, Bath (GB); **Ann De Wree**, Outer (BE); **Anne-Gaelle Leray**, Brussels (BE); **Paul Robert Scott**, Brussels (BE); **Filip Dominique Hubert Vangeel**, Vilvoorde (BE)

(73) Assignee: **The Procter & Gamble Company**, Cincinnati, OH (US)

(**) Term: **14 Years**

(21) Appl. No.: **29/294,370**

(22) Filed: **Jan. 8, 2008**

(30) **Foreign Application Priority Data**

Jul. 13, 2007 (EM) 000757026

(51) **LOC (8) Cl.** **09-07**

(52) **U.S. Cl.** **D9/447**

(58) **Field of Classification Search** D9/733,
D9/726, 529, 501, 503, 454, 450, 449, 447,
D9/440, 435; D28/7; D24/224; 222/566,
222/562, 255, 254.1; 220/288, 259.3, 257.1,
220/256.1, 254.1, 212; 215/252

See application file for complete search history.

(56) **References Cited**

U.S. PATENT DOCUMENTS

D195,150 S * 4/1963 Miller et al. D9/447
D214,263 S * 5/1969 McConnell D9/450

D522,861 S * 6/2006 Perry et al. D9/452
D560,494 S * 1/2008 Saint-Ignan et al. D9/454
D562,699 S * 2/2008 Green et al. D9/726

* cited by examiner

Primary Examiner—Gary D. Watson
Assistant Examiner—Susan B Hattan

(74) *Attorney, Agent, or Firm*—Armina E. Matthews; Kim William Zerby; Steven W. Miller

(57) **CLAIM**

The ornamental design for a dispensing device, as shown and described.

DESCRIPTION

FIG. 1 is an isometric view of a dispensing device embodying the new design;

FIG. 2 is a front elevational view thereof;

FIG. 3 is a back elevational thereof;

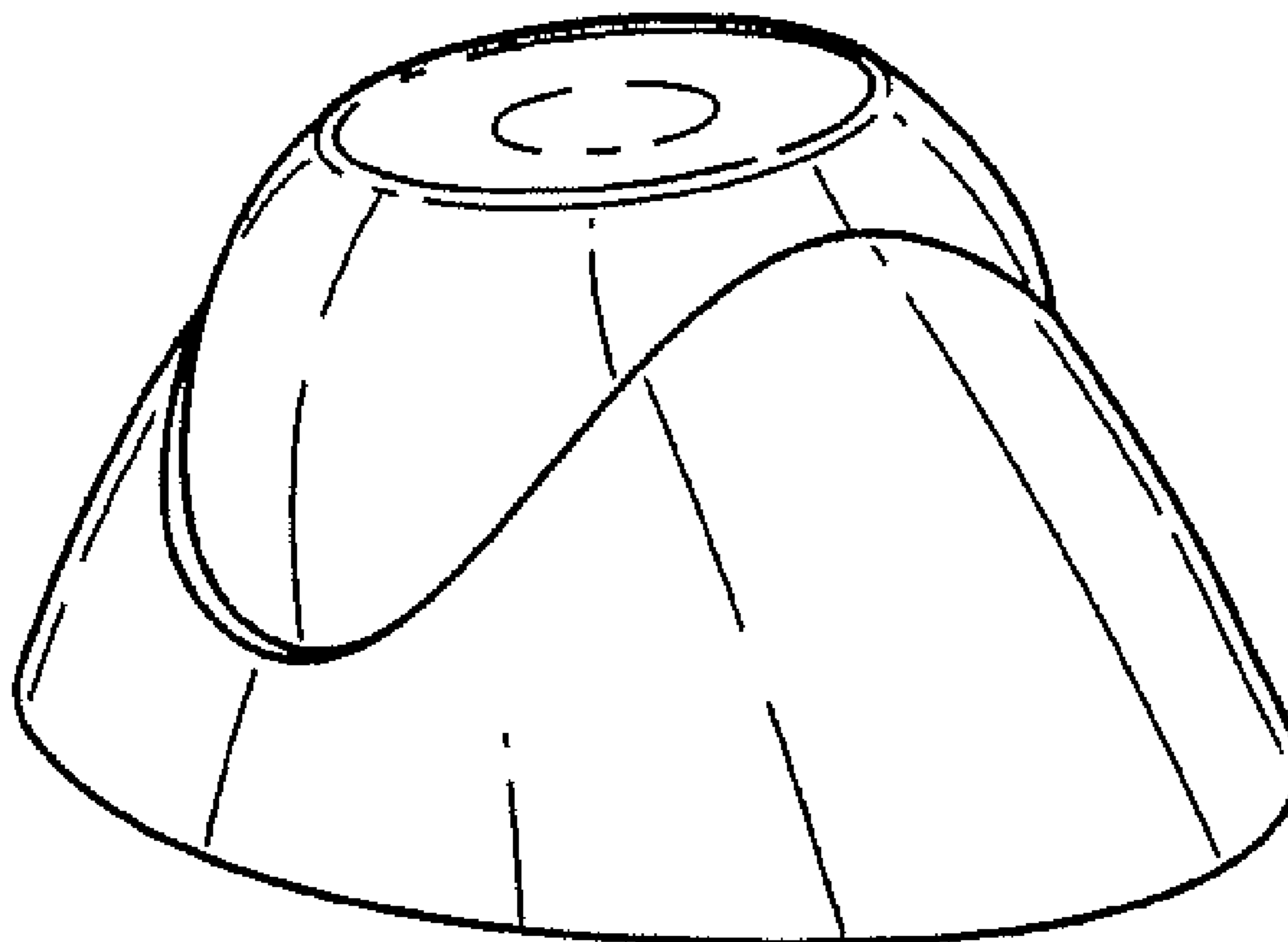
FIG. 4 is a right side isometric view thereof;

FIG. 5 is a left side and bottom isometric view thereof;

FIG. 6 is a top view thereof; and,

FIG. 7 is a bottom view thereof.

1 Claim, 2 Drawing Sheets



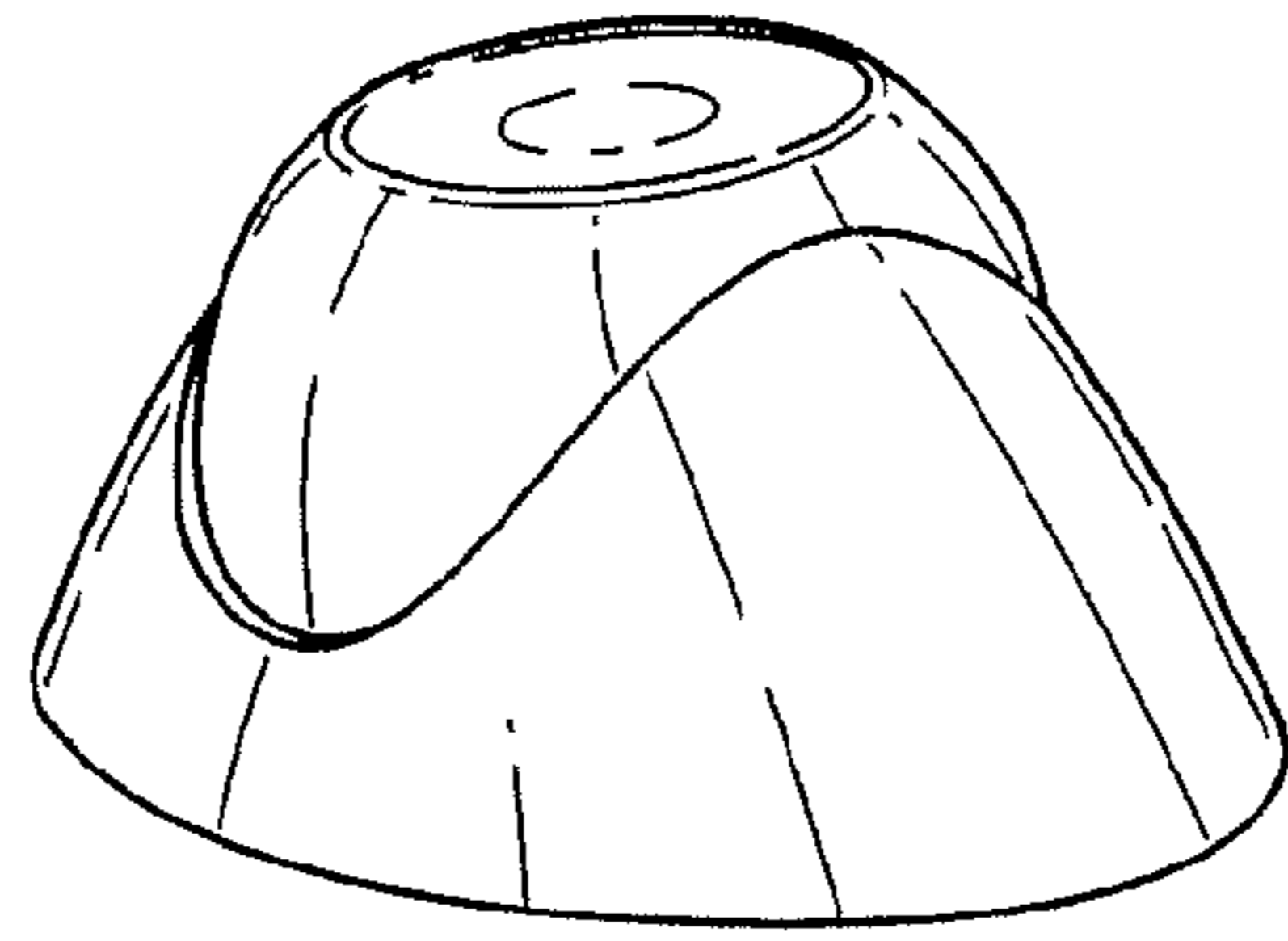


Fig.1.

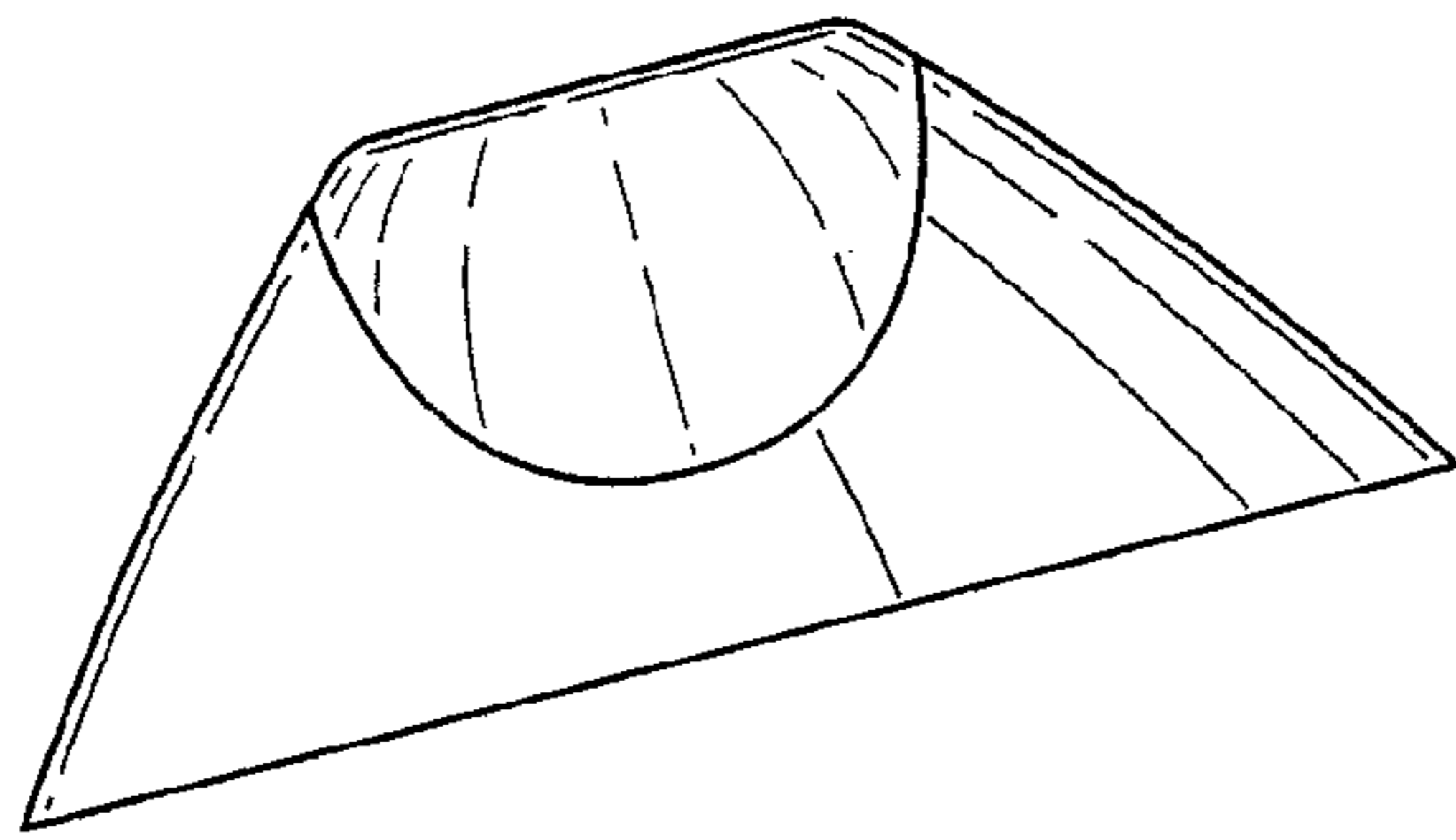


Fig.2.

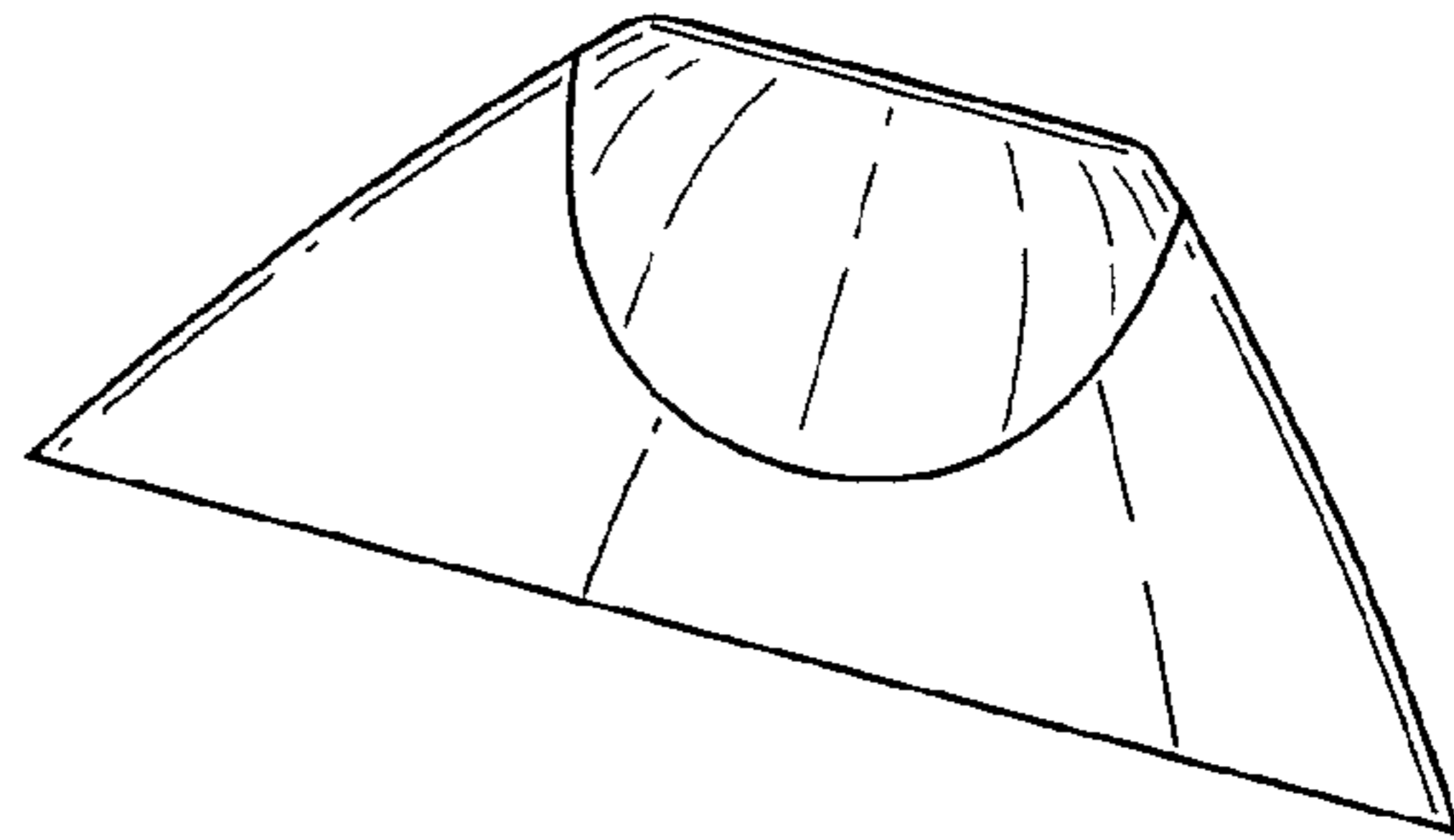


Fig.3.

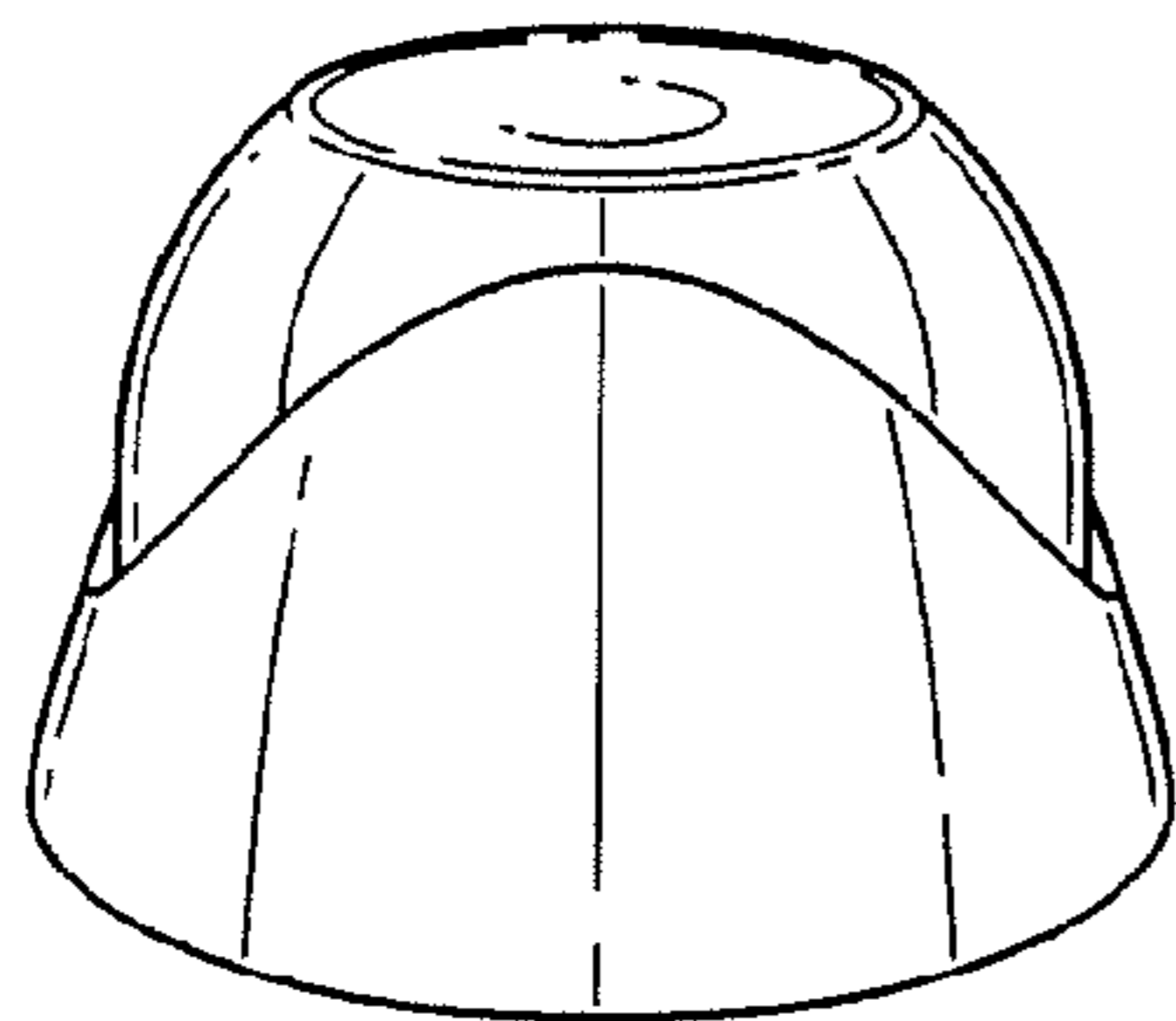


Fig.4.

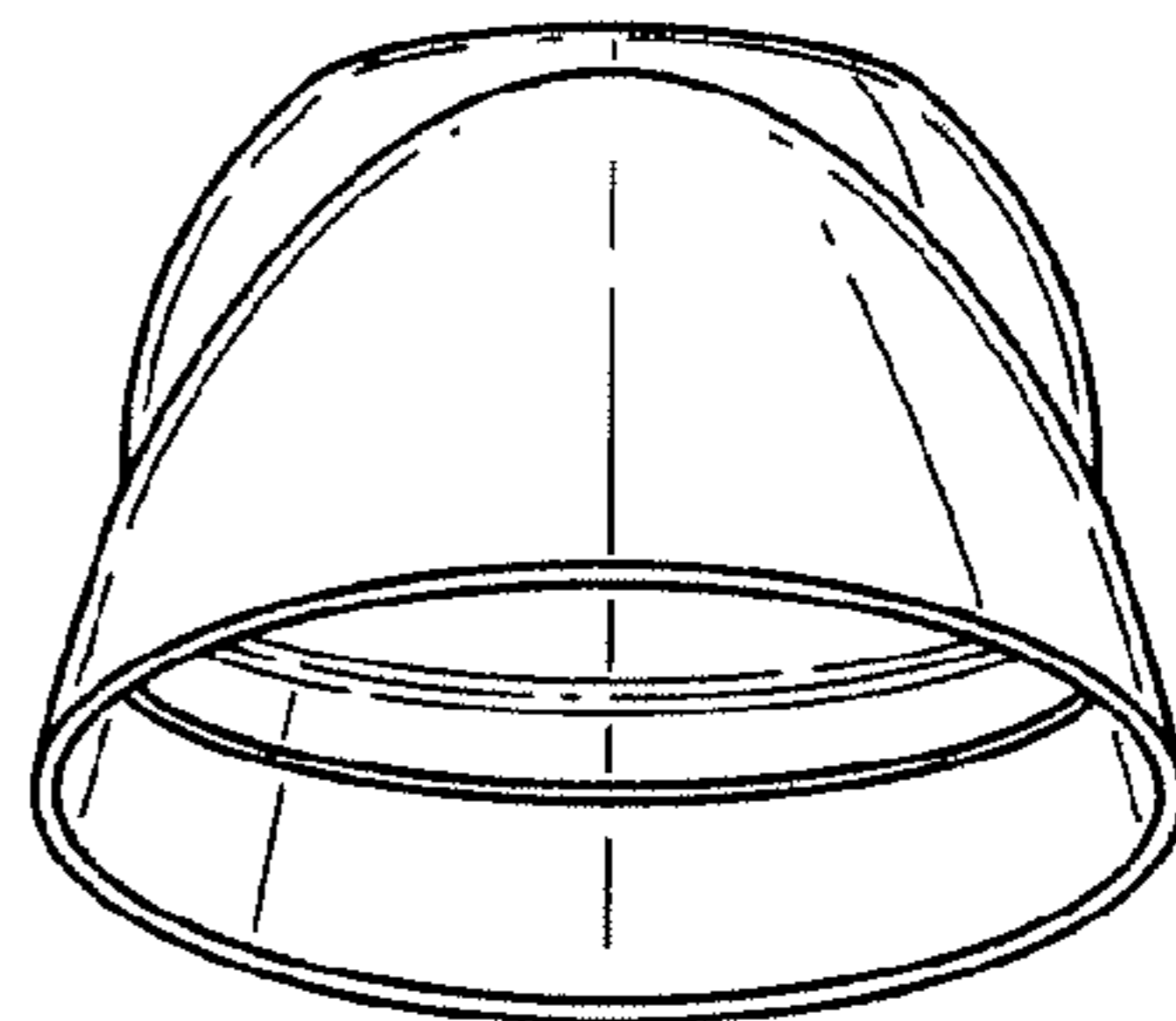


Fig.5.

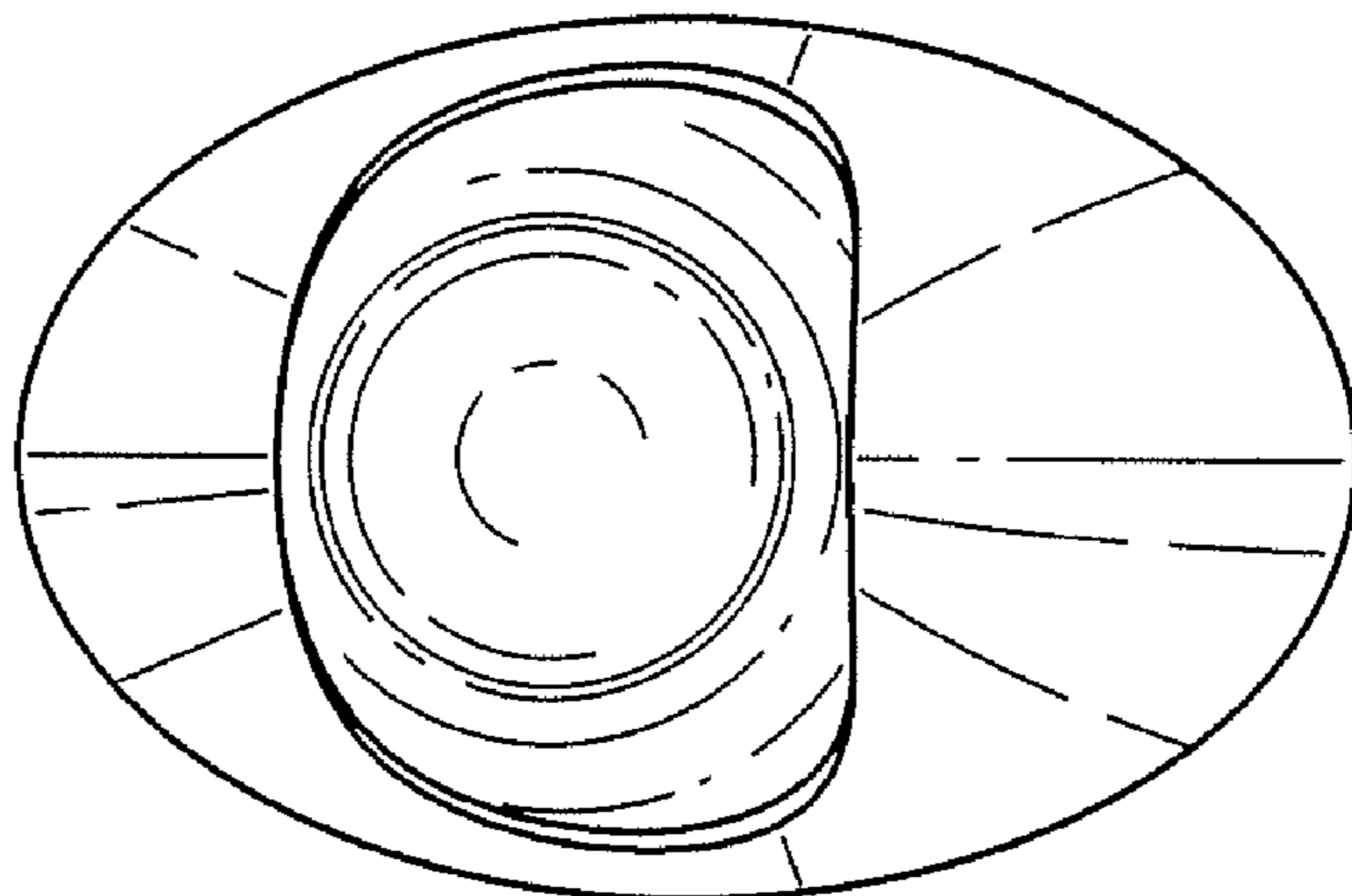


Fig.6.

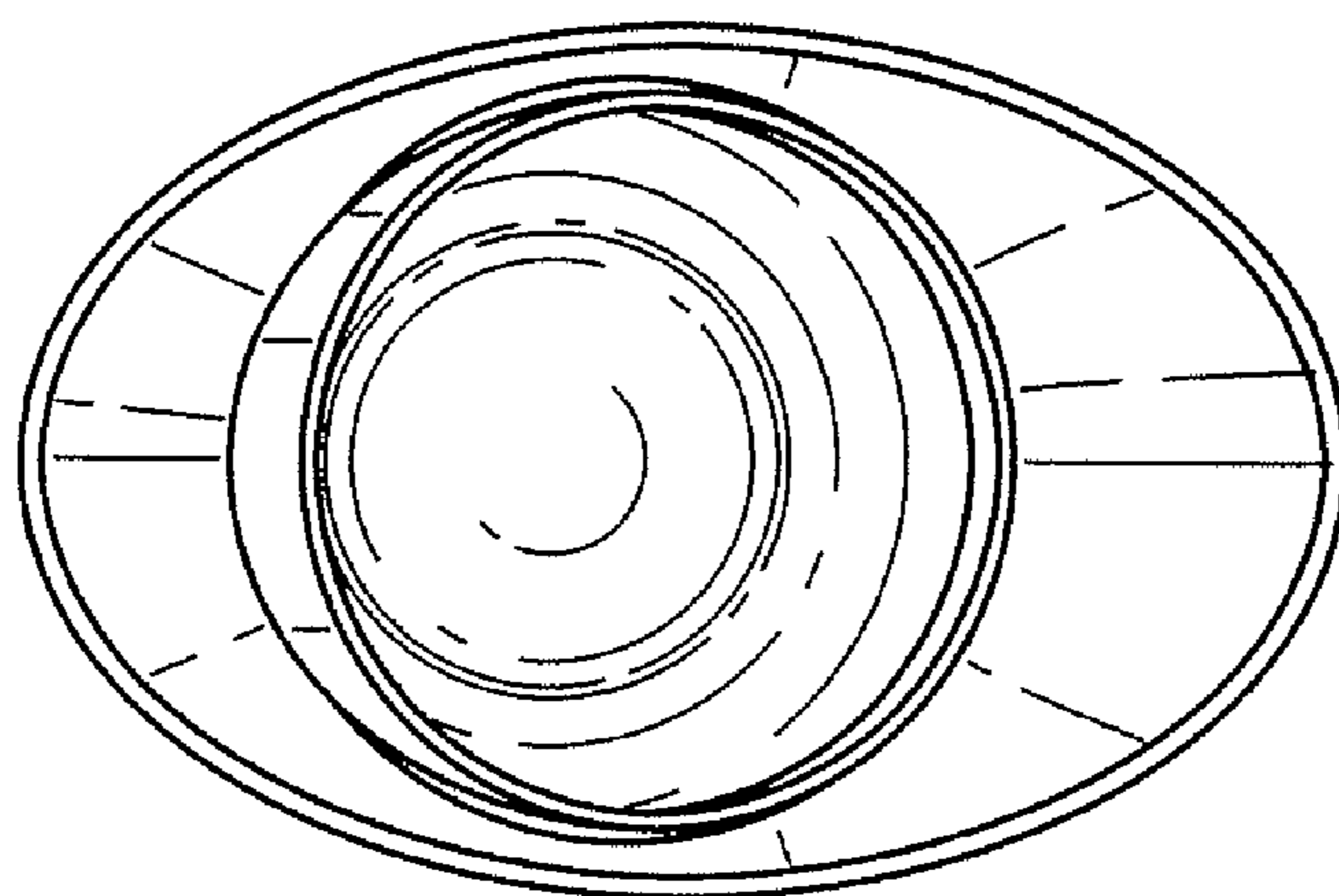


Fig.7.