



US00D581786S

(12) **United States Design Patent**  
**Scheve**

(10) **Patent No.:** **US D581,786 S**  
(45) **Date of Patent:** **\*\* Dec. 2, 2008**

(54) **CONTAINER LID**

(76) **Inventor:** **Jody A. Scheve**, 8504 Tammarron Dr.,  
Charlotte, NC (US) 28277

(\*\*) **Term:** **14 Years**

(21) **Appl. No.:** **29/307,996**

(22) **Filed:** **May 22, 2008**

(51) **LOC (8) Cl.** ..... **09-07**

(52) **U.S. Cl.** ..... **D9/435; D9/436**

(58) **Field of Classification Search** ..... D9/455,  
D9/453, 452, 445, 444, 443, 438, 436, 435,  
D9/434; D7/624.3, 624.2, 622, 619.1, 608,  
D7/607, 392.1, 629, 553.6; 220/903, 780;  
215/352, 328, 256, 253, 252, 243, 237, 228,  
215/223

See application file for complete search history.

(56) **References Cited**

**U.S. PATENT DOCUMENTS**

D213,898 S	4/1969	Monaco et al.	
D255,527 S *	6/1980	Seager	D7/549
4,520,633 A	6/1985	Hoydic	
5,065,923 A *	11/1991	Hoefler et al.	220/694
5,307,647 A	5/1994	McClure	
D358,767 S *	5/1995	Berggren	D9/435
D363,644 S *	10/1995	Wyatt et al.	D7/553.6
5,701,757 A	12/1997	Heverly	
D403,582 S *	1/1999	Nask et al.	D9/435
D403,583 S *	1/1999	Nask et al.	D9/435

6,244,065 B1	6/2001	Wuestman	
6,378,325 B1	4/2002	Yang	
D522,858 S *	6/2006	Snedden et al.	D9/435
D536,923 S *	2/2007	Roth et al.	D7/392.1
D540,669 S *	4/2007	George et al.	D9/435
D562,624 S *	2/2008	Kortleven	D7/392.1

\* cited by examiner

*Primary Examiner*—Susan B Hattan

(74) *Attorney, Agent, or Firm*—Schwartz Law Firm, P.C.

(57) **CLAIM**

I claim the ornamental design for a container lid, as shown and described.

**DESCRIPTION**

FIG. 1 is an environmental perspective view of the container lid according to the present design, and showing the design used in combination with a large outside container and a smaller inside container in phantom; the outside and inside containers forming no part of the claimed design;

FIG. 2 is a perspective view of the container lid;

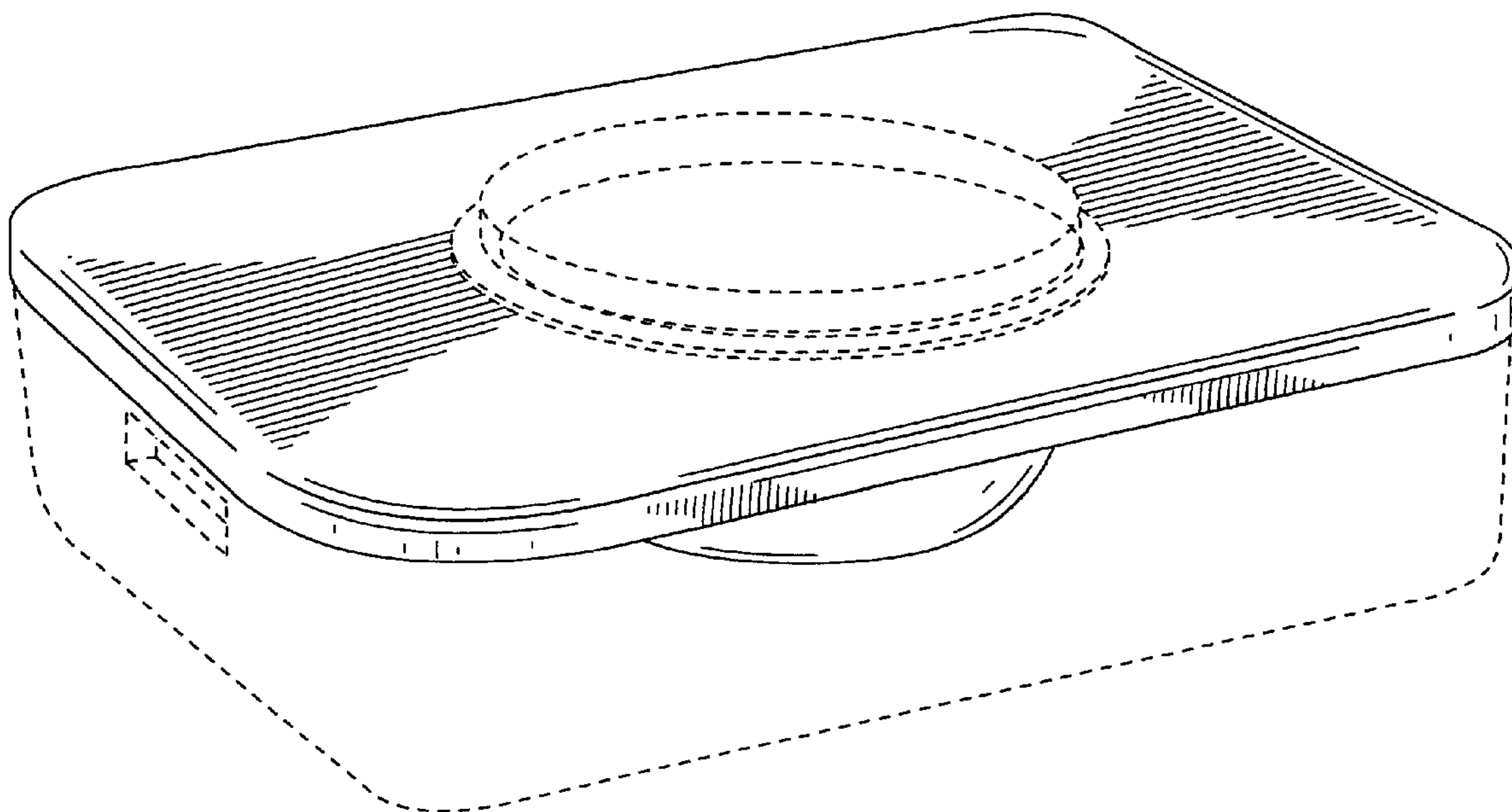
FIG. 3 is a top view of the container lid;

FIG. 4 is a bottom view of the container lid;

FIG. 5 is a front view of the container lid, the back view being a mirror image thereof; and,

FIG. 6 is a right side view of the container lid, the left side view being a mirror image thereof.

**1 Claim, 4 Drawing Sheets**



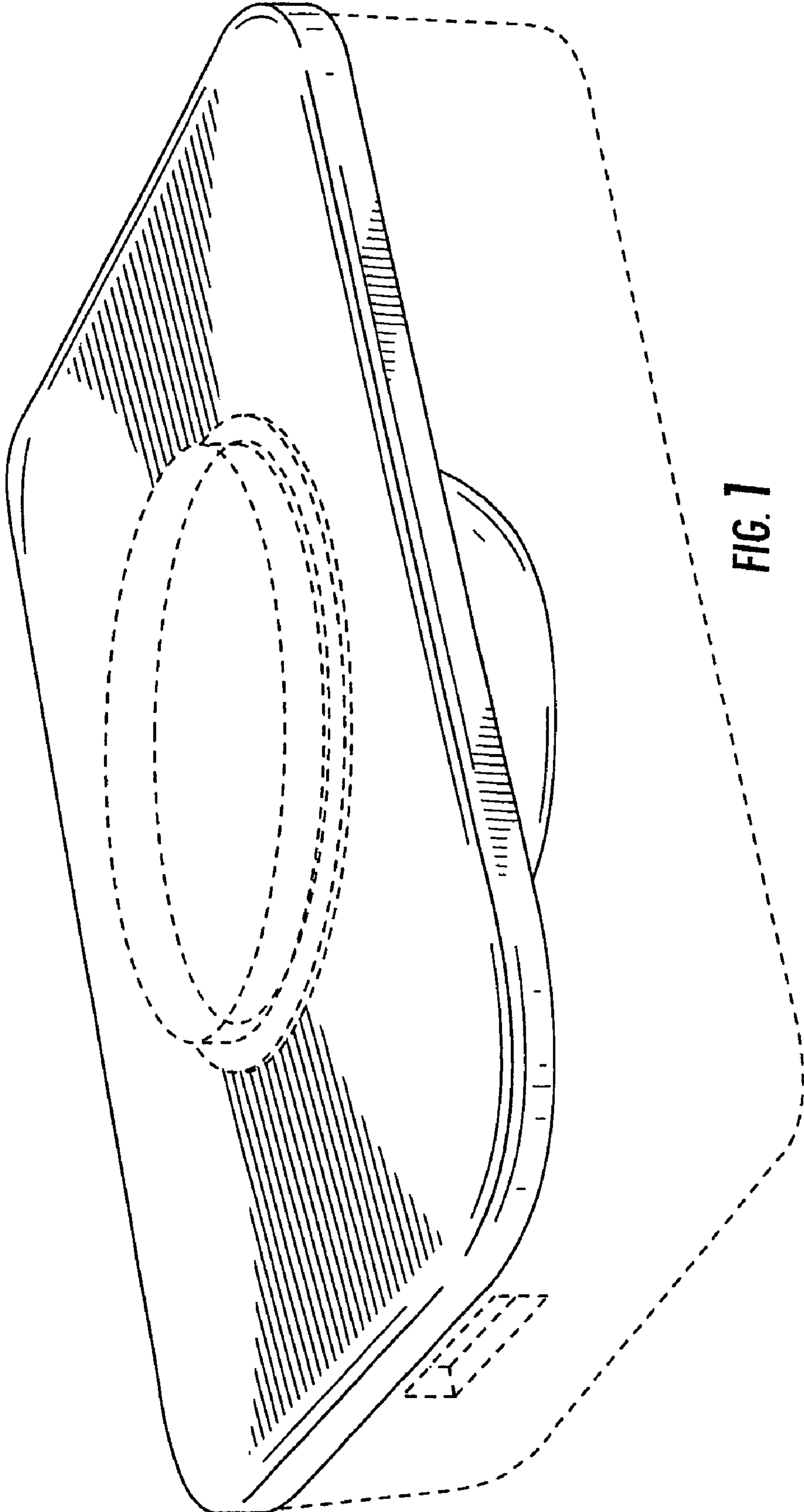


FIG. 7

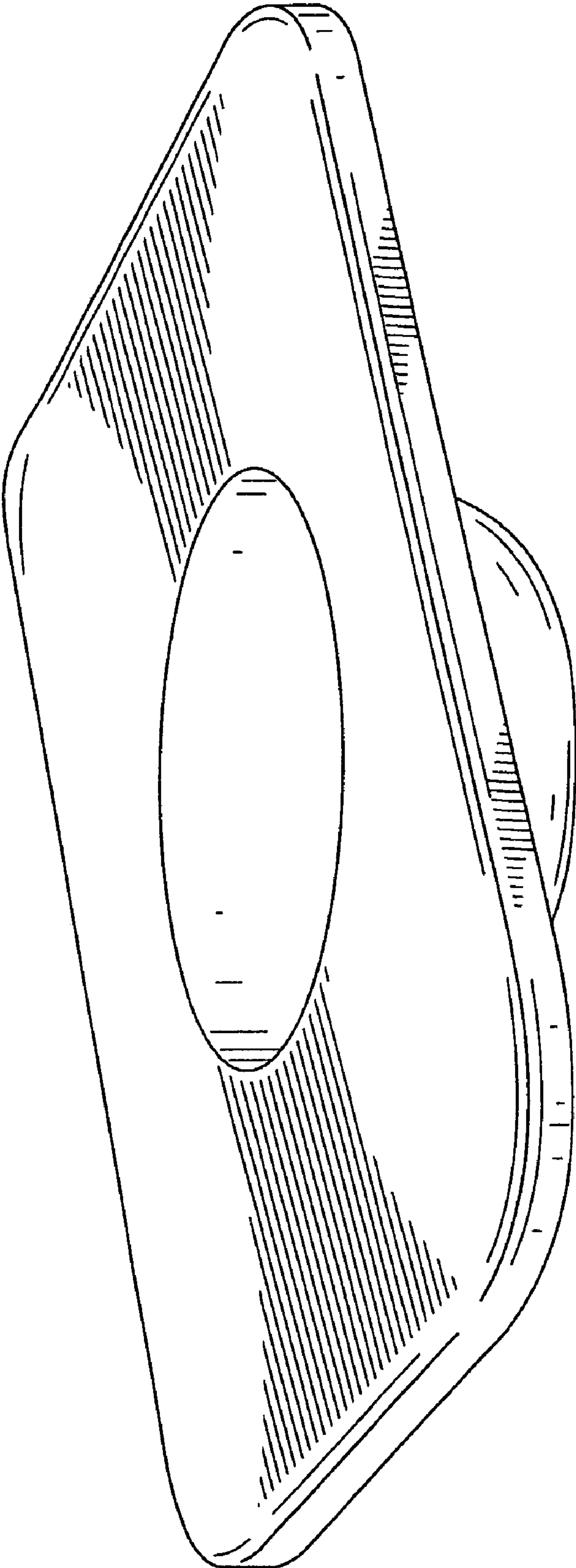


FIG. 2

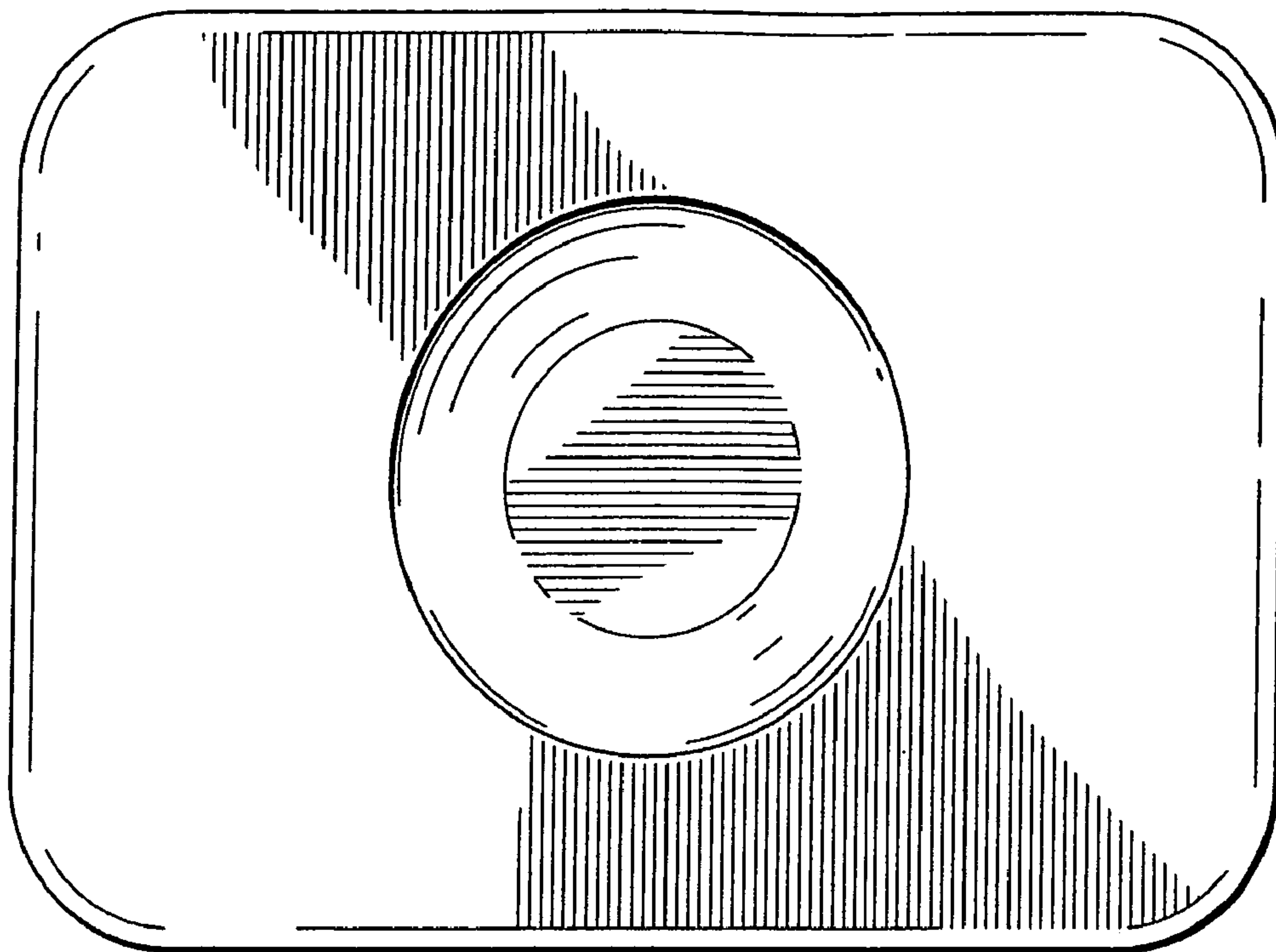


FIG. 3

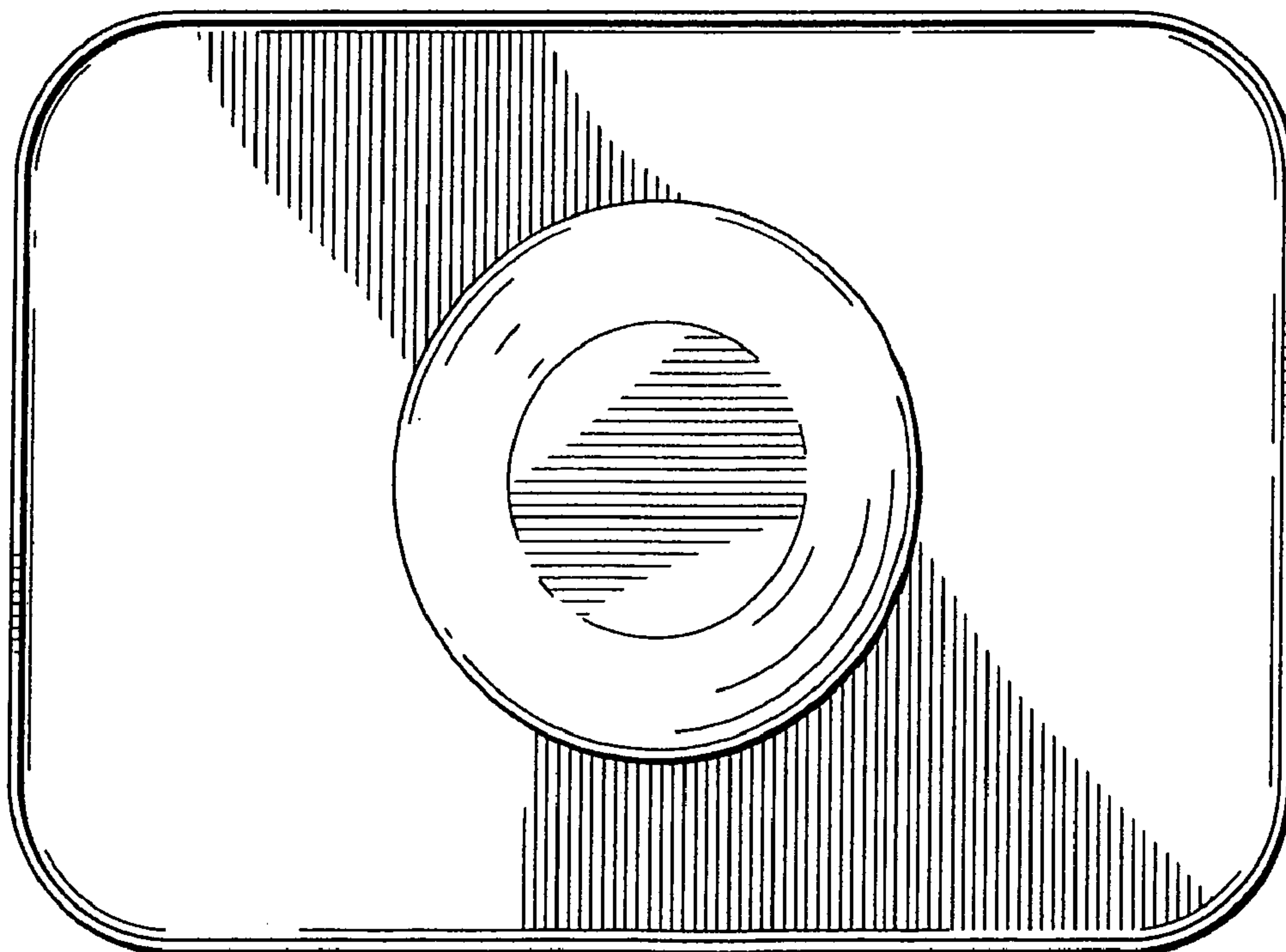
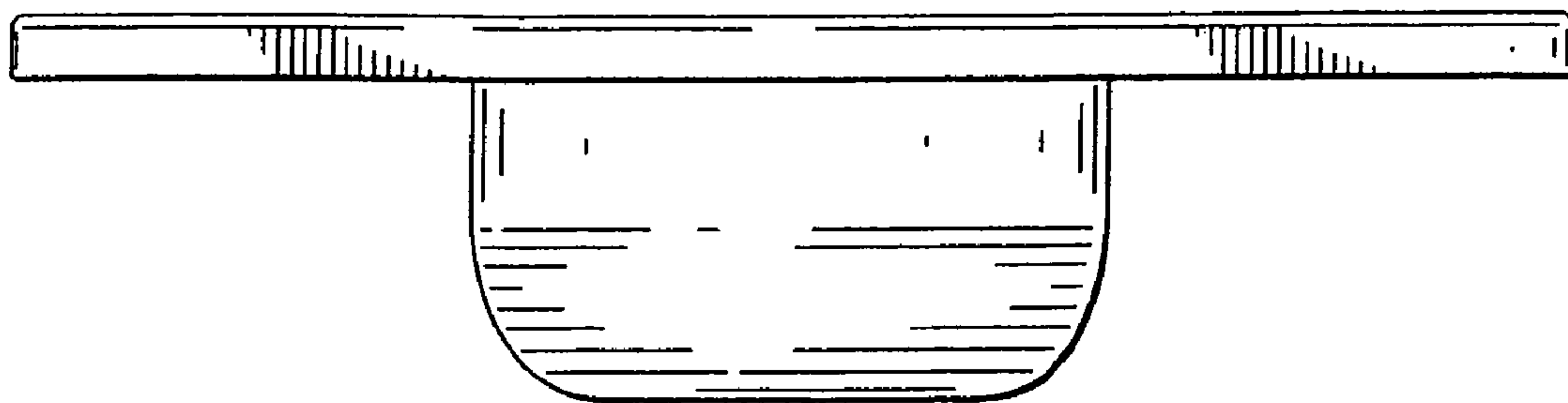
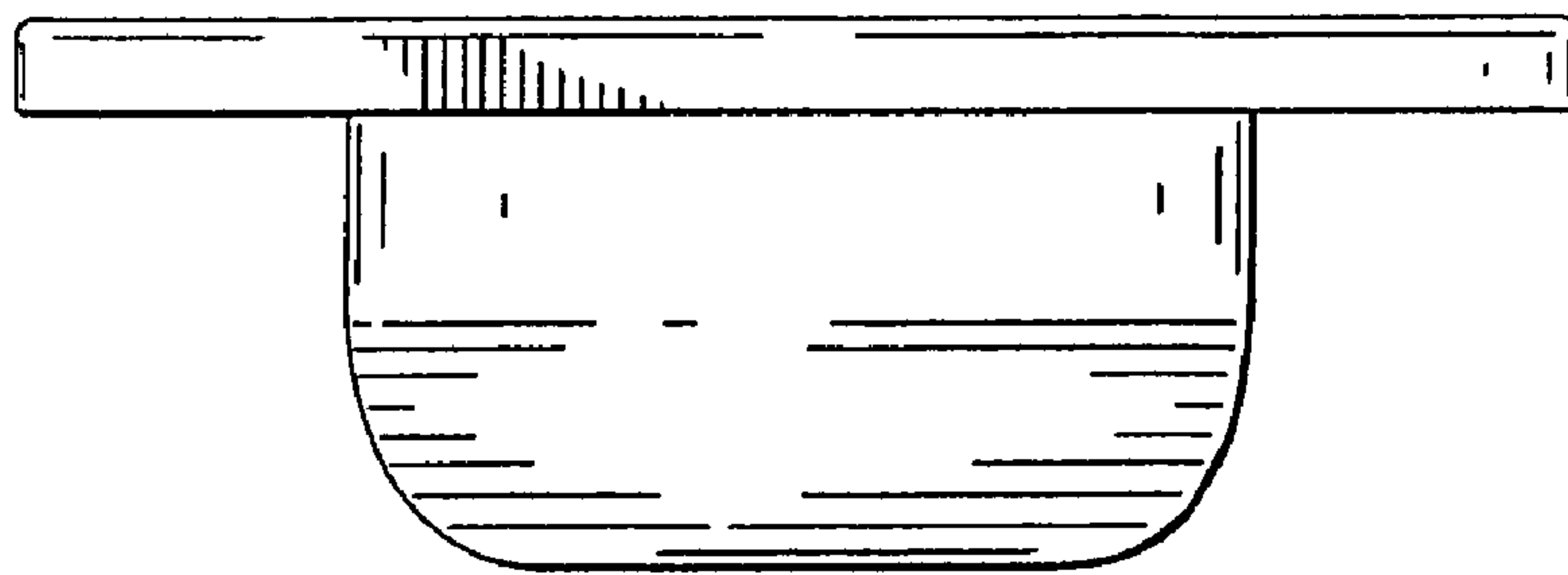


FIG. 4



**FIG. 5**



**FIG. 6**