



US00D581784S

(12) **United States Design Patent**  
**Mattila**

(10) **Patent No.:** **US D581,784 S**  
(45) **Date of Patent:** **\*\* Dec. 2, 2008**

(54) **BOX**  
(75) Inventor: **Mika Mattila**, Tampere (FI)  
(73) Assignee: **Nokia Corporation**, Espoo (FI)  
(\*\*) Term: **14 Years**  
(21) Appl. No.: **29/283,281**

D449,525 S \* 10/2001 Sturgess ..... D9/432  
D461,120 S \* 8/2002 Ostro ..... D9/759  
D464,568 S \* 10/2002 Sisinni ..... D9/432  
D471,807 S \* 3/2003 Sisinni ..... D9/432  
D494,862 S \* 8/2004 Sisinni ..... D9/432  
7,097,043 B2 \* 8/2006 Hsu ..... 206/784  
2003/0029769 A1 \* 2/2003 Ausaf ..... 206/549  
2008/0054057 A1 \* 3/2008 Chang ..... 229/120.18

(22) Filed: **Aug. 9, 2007**

FOREIGN PATENT DOCUMENTS

(30) **Foreign Application Priority Data**

FI 19980240 \* 12/1997  
GB 2437277 A \* 10/2007  
WO WO 9408855 A1 \* 4/1994

Feb. 9, 2007 (FI) ..... M20070032

\* cited by examiner

(51) **LOC (8) Cl.** ..... **09-03**  
(52) **U.S. Cl.** ..... **D9/433**  
(58) **Field of Classification Search** ..... D9/430-433,  
D9/414, 417, 420-423, 759; 206/45.21,  
206/45.29, 476, 525.1, 526, 750, 763, 774,  
206/784; 229/100, 101, 103.3, 117, 117.01,  
229/117.03-117.08, 120.02, 120.08, 120.13-120.18,  
229/120.31, 120.37, 125.09, 125.15, 125.29,  
229/126, 138, 155, 170, 221, 222, 247, 902,  
229/904, 917, 933-937, 942

*Primary Examiner*—T. Chase Nelson  
*Assistant Examiner*—Karen Acker  
(74) *Attorney, Agent, or Firm*—Banner & Witcoff, Ltd.

See application file for complete search history.

(57) **CLAIM**

The ornamental design for a box, as shown and described.

(56) **References Cited**

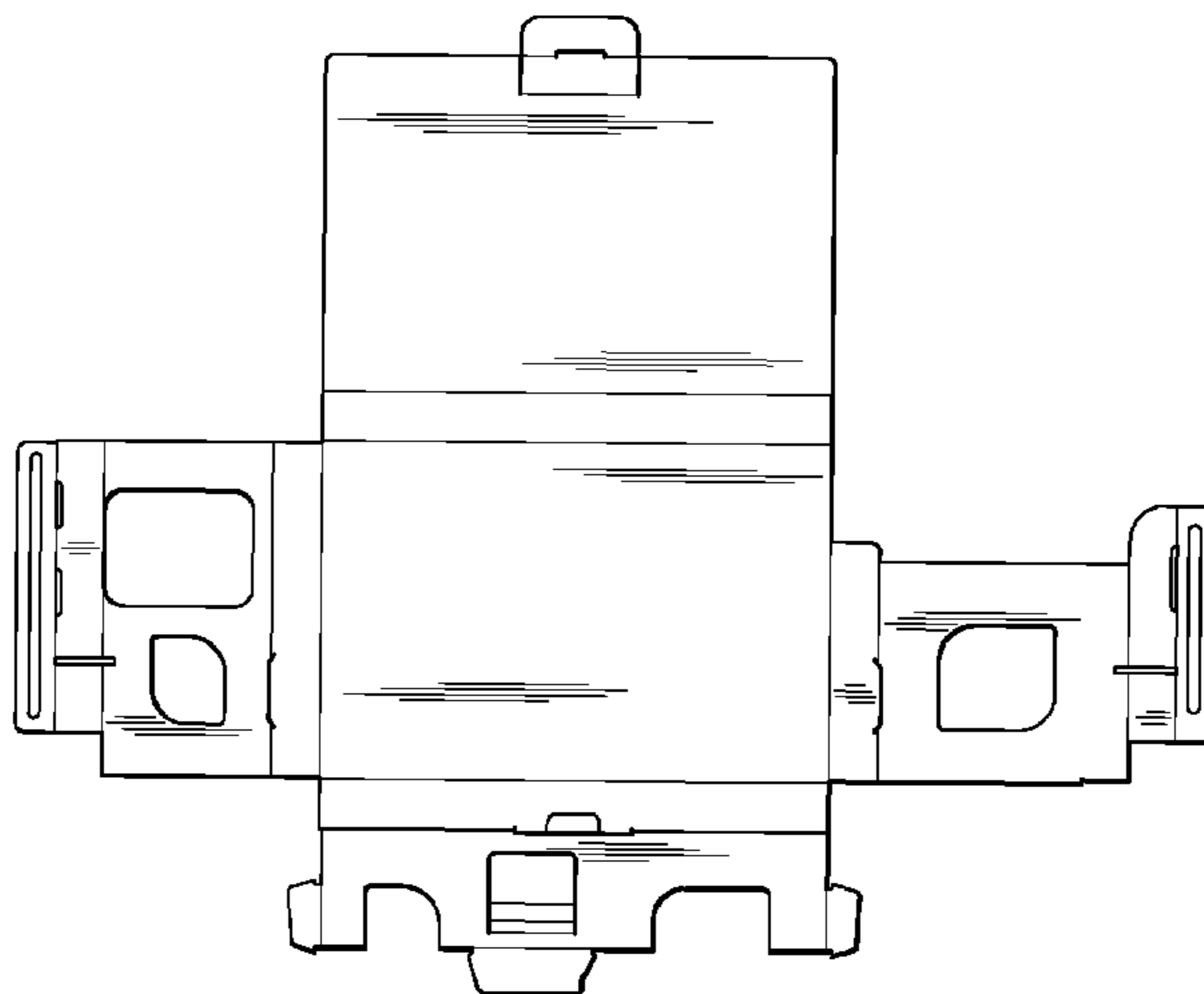
**DESCRIPTION**

U.S. PATENT DOCUMENTS

1,442,067 A \* 1/1923 Horr ..... 206/45.21  
1,448,864 A \* 3/1923 Pinkerton ..... 206/490  
1,714,542 A \* 5/1929 Bergstein ..... 206/45.29  
2,673,679 A \* 3/1954 La Bombard ..... 229/117.04  
3,028,951 A \* 4/1962 Okada ..... 206/763  
3,357,630 A \* 12/1967 Michelitsch ..... 229/148  
D262,357 S \* 12/1981 Kohler ..... D9/433  
D285,660 S \* 9/1986 Cronsioe ..... D9/420  
5,117,973 A \* 6/1992 Lo Duca ..... 206/45.29  
D372,670 S \* 8/1996 Healey ..... D9/422  
D373,723 S \* 9/1996 Healey ..... D9/759  
D380,379 S \* 7/1997 Lindblom et al. .... D9/761  
5,881,948 A \* 3/1999 Correll ..... 229/123  
D439,157 S \* 3/2001 Tsuruishi et al. .... D9/759

FIG. 1 is a plan view of the inner side of a box in a blank form showing my new design;  
FIG. 2 is plan view of the outer side of FIG. 1;  
FIG. 3 is a perspective front view of the box of FIG. 1 in an assembled and closed state;  
FIG. 4 is a perspective rear view of FIG. 3;  
FIG. 5 is a perspective front view of FIG. 3;  
FIG. 6 is a top view of the box of FIG. 1 in an assembled and first open state;  
FIG. 7 is a perspective view of FIG. 6;  
FIG. 8 is a perspective view of the box of FIG. 1 in an assembled and second open state with the top in an elevated position; and,  
FIG. 9 is an enlarged perspective front view of FIG. 8.

**1 Claim, 5 Drawing Sheets**



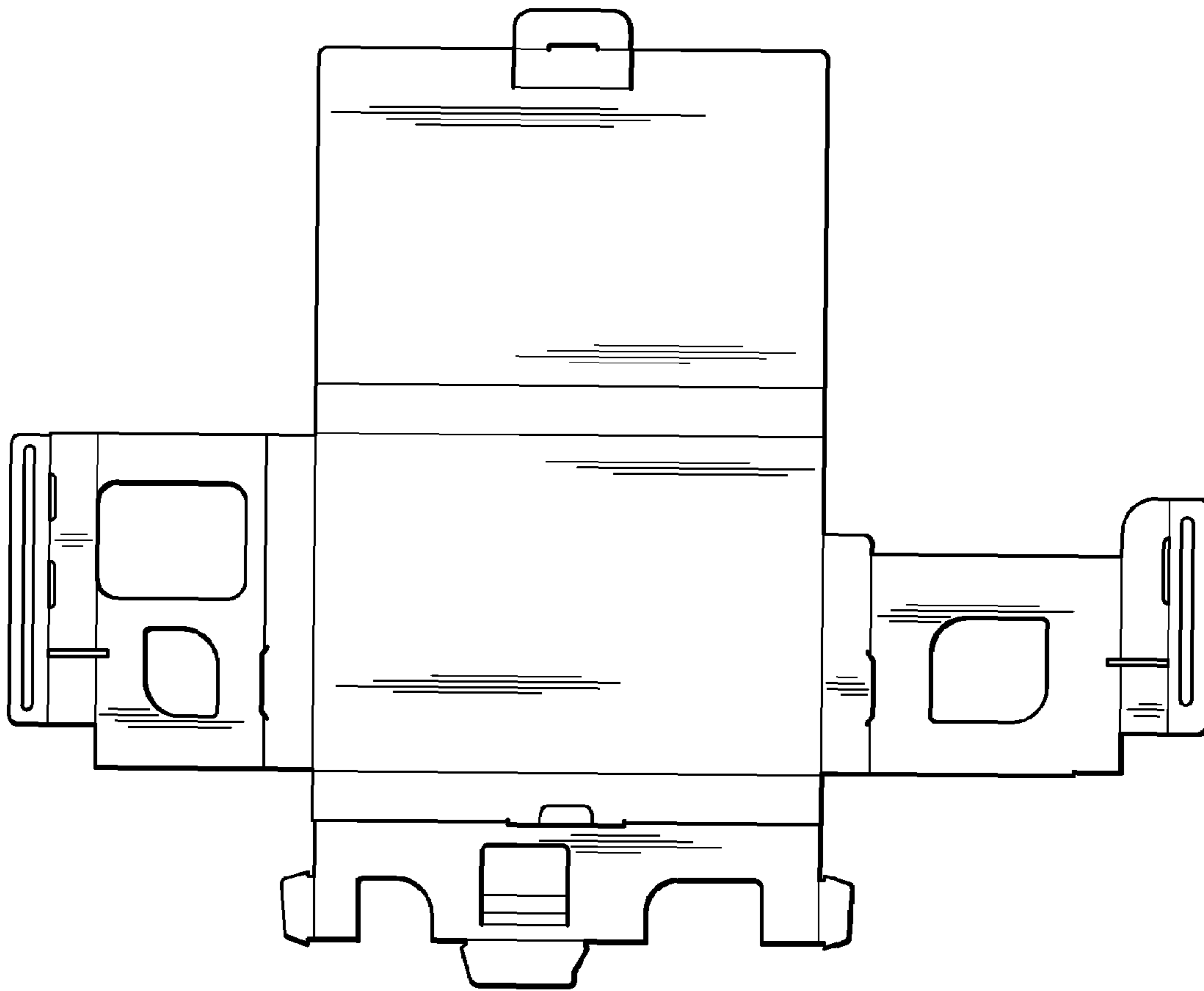


FIG. 1

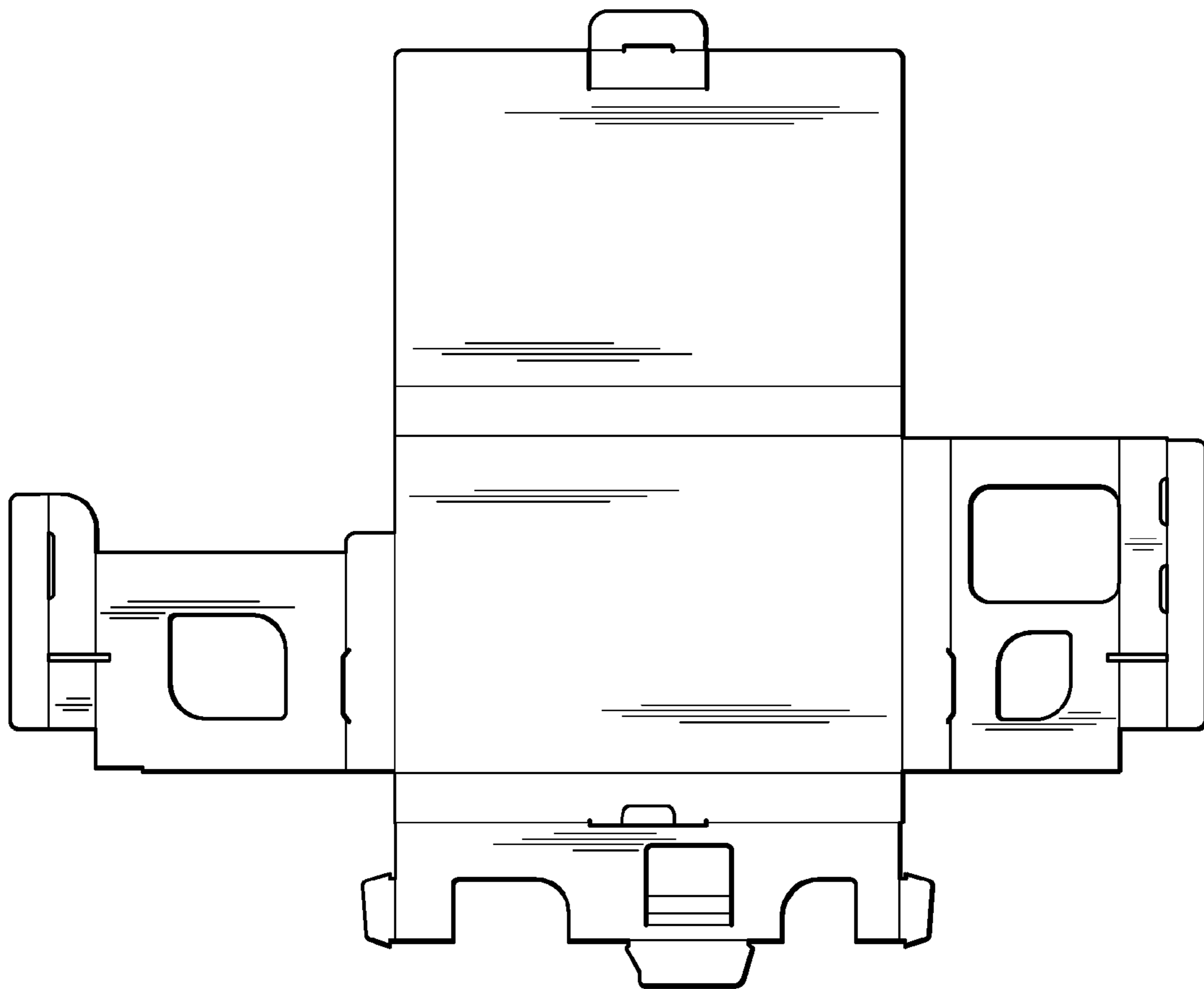


FIG. 2

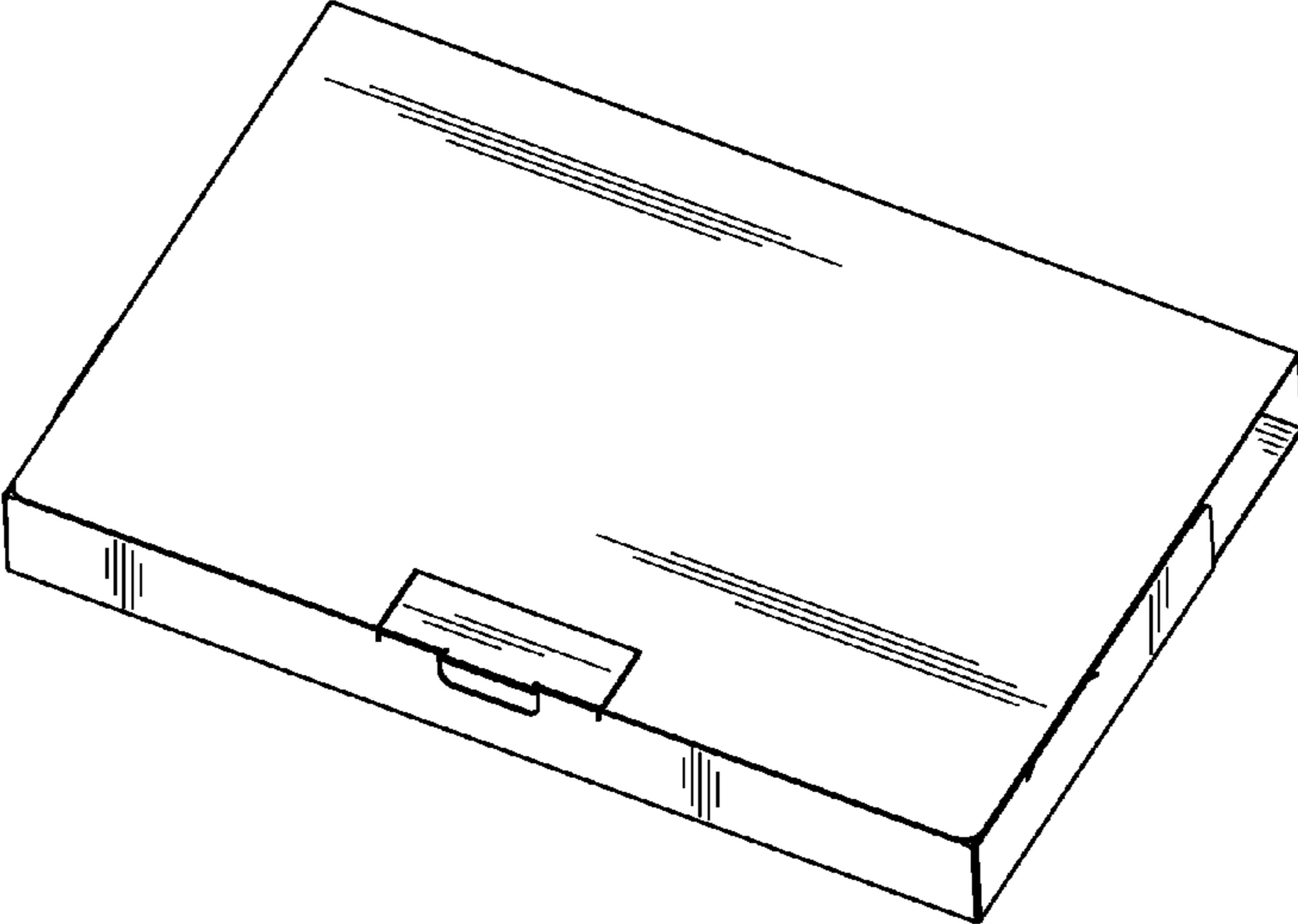


FIG. 3

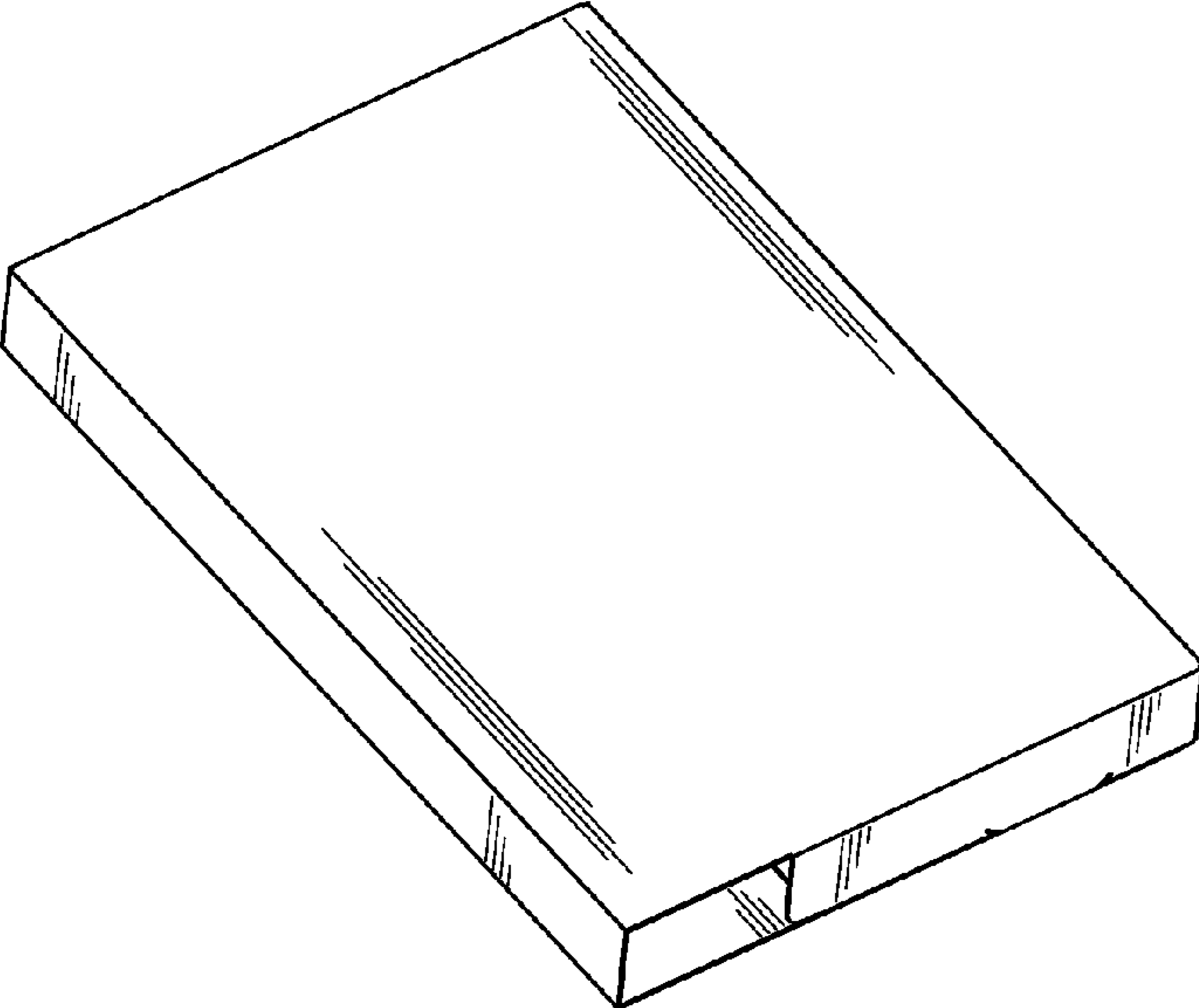


FIG. 4

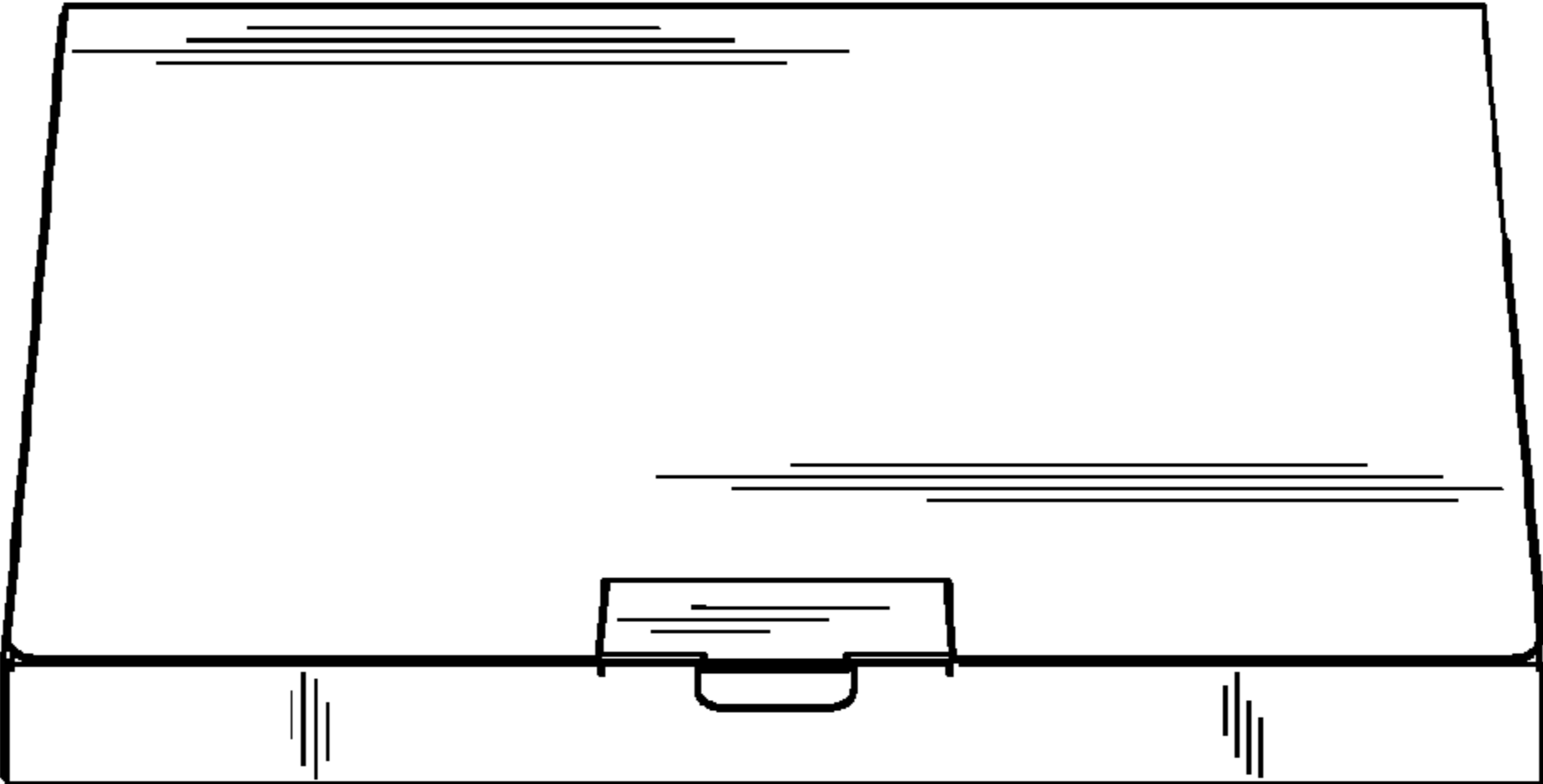


FIG. 5

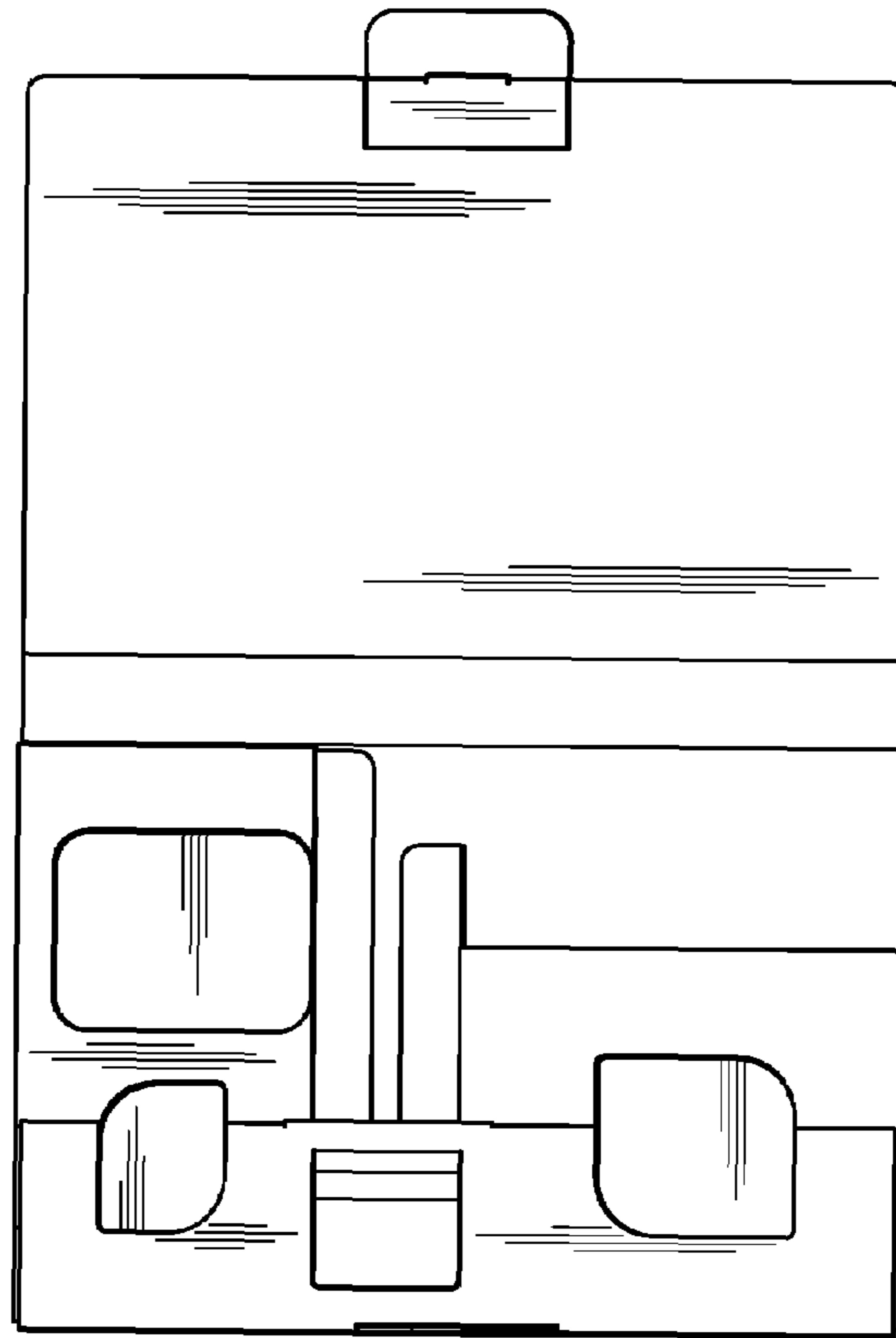


FIG. 6

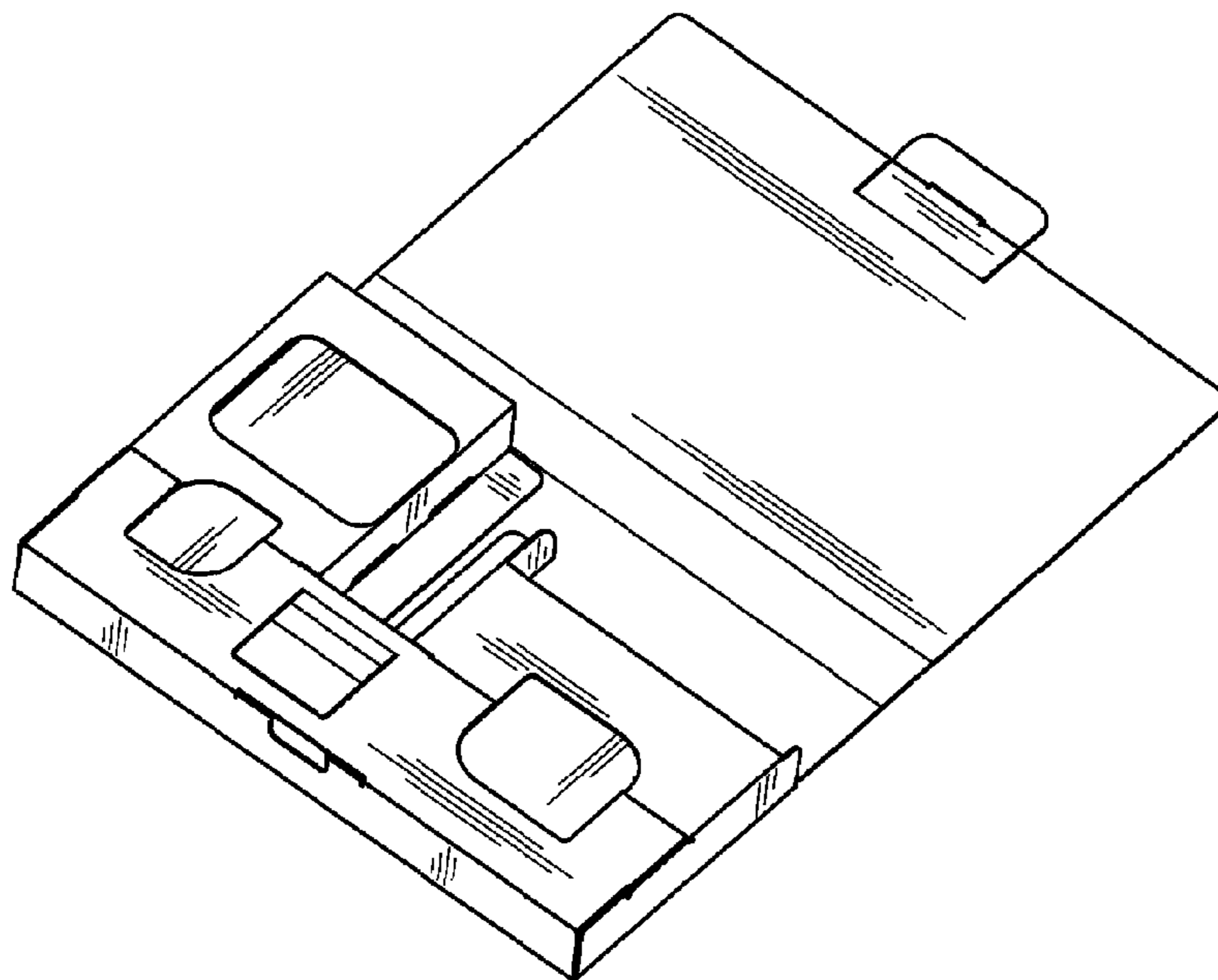


FIG. 7

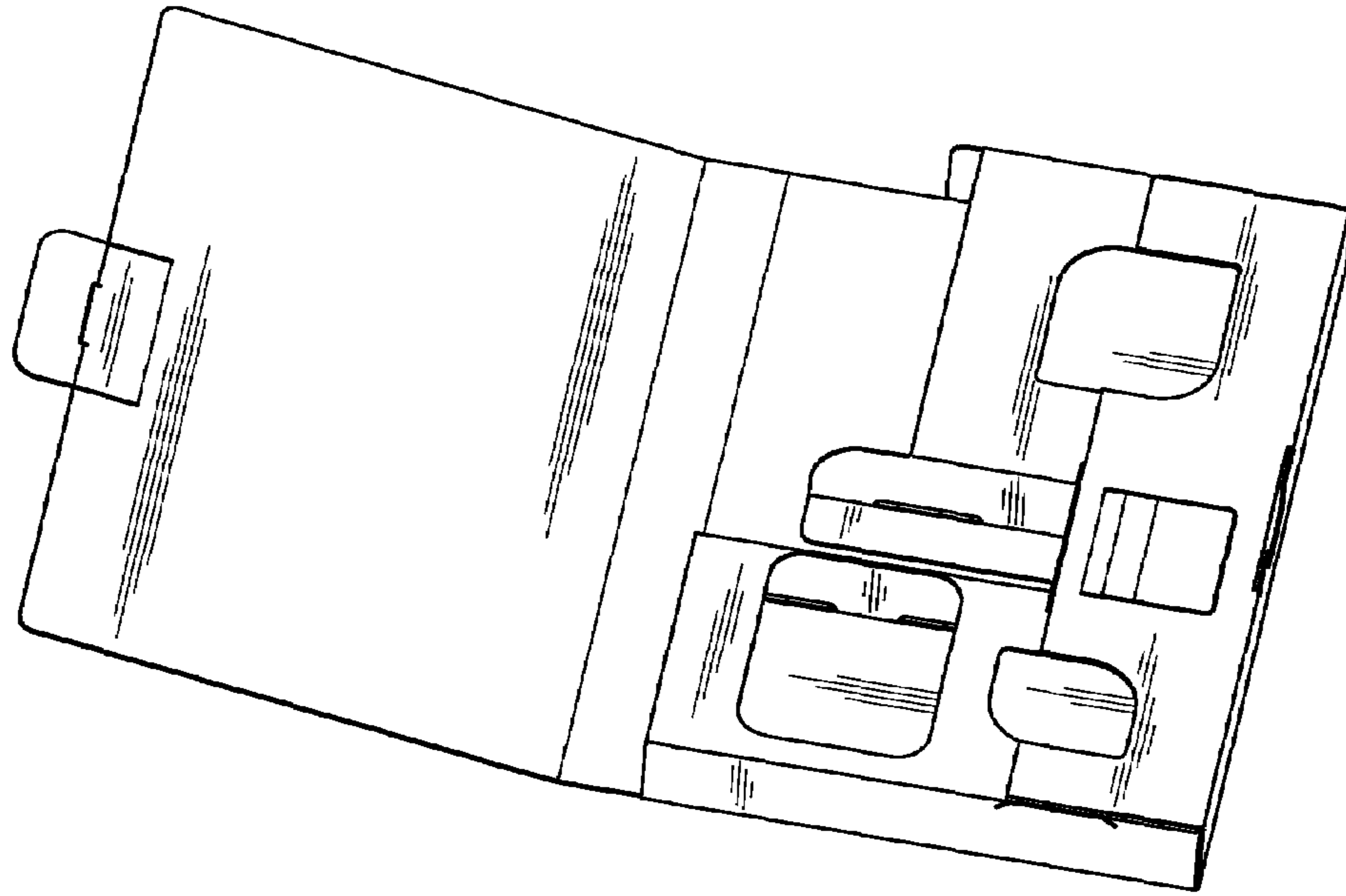


FIG. 8

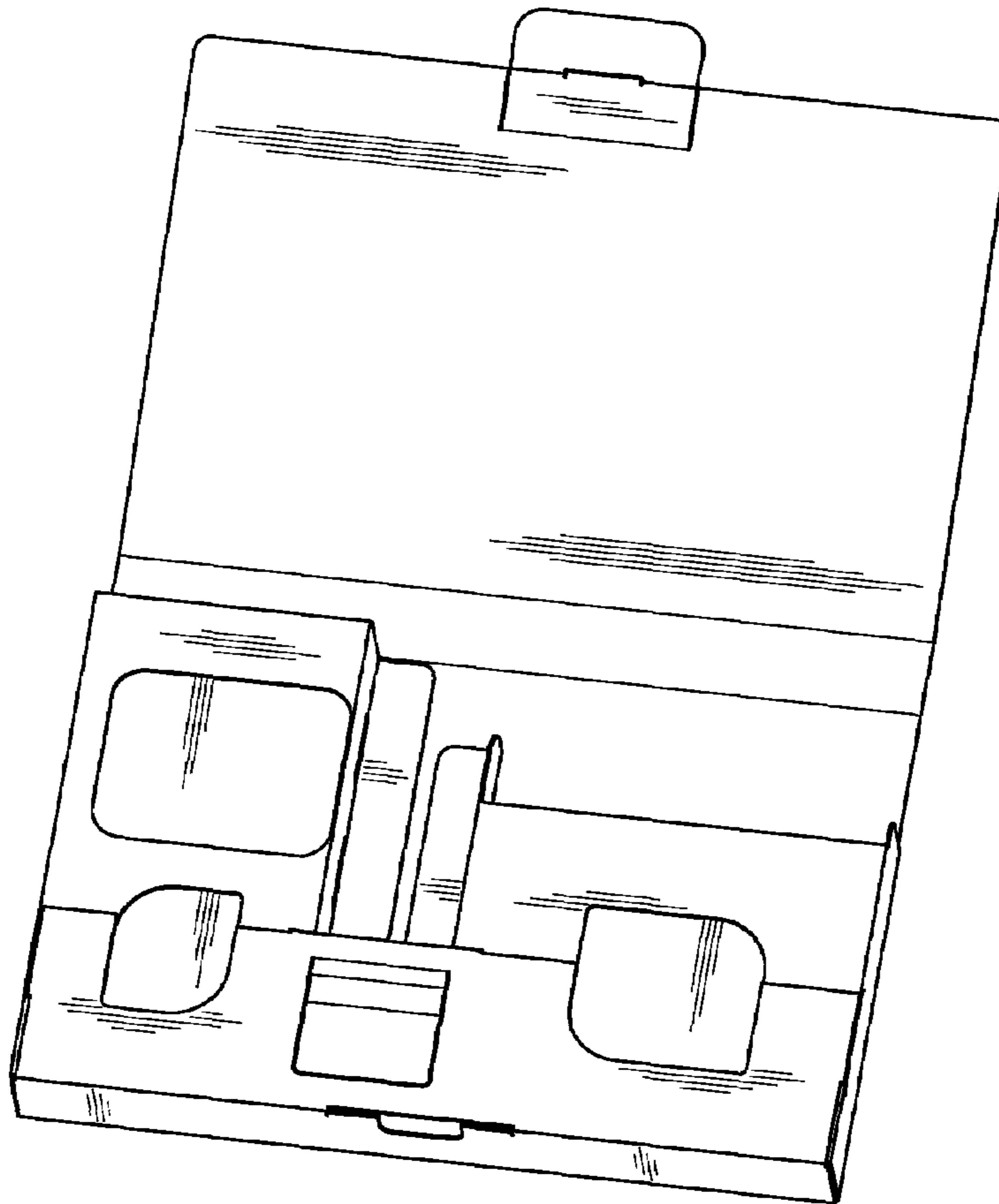


FIG. 9