



US00D581782S

(12) **United States Design Patent**
Kisch

(10) **Patent No.:** **US D581,782 S**

(45) **Date of Patent:** **** Dec. 2, 2008**

(54) **TRIANGULAR COLUMN BOX**

(76) **Inventor:** **Raymond G. M. Kisch**, 2170 Academy Ave., Sanger, CA (US) 93657

(**) **Term:** **14 Years**

(21) **Appl. No.:** **29/292,471**

(22) **Filed:** **Oct. 11, 2007**

D348,390 S	7/1994	Van Ness
5,335,844 A	8/1994	Young
6,098,873 A	8/2000	Sheffer
6,311,891 B1	11/2001	Gardner
6,719,191 B1	4/2004	Christensen et al.
2003/0168502 A1	9/2003	Kisch
2005/0145687 A1	7/2005	Conway
2006/0283926 A1	12/2006	Durnin

Primary Examiner—Robert A Delehanty
(74) *Attorney, Agent, or Firm*—Richard A. Ryan

Related U.S. Application Data

(63) Continuation-in-part of application No. 29/264,981, filed on Aug. 23, 2006, now Pat. No. Des. 552,988.

(51) **LOC (8) Cl.** **09-03**

(52) **U.S. Cl.** **D9/432**

(58) **Field of Classification Search** D9/430–433, D9/414–418, 761; 229/105, 106, 108, 108.1, 229/100, 112–113, 115–116, 192.1, 922, 229/938; 206/551, 746, 457, 784, 822
See application file for complete search history.

(56) **References Cited**

U.S. PATENT DOCUMENTS

2,912,137 A	11/1959	Taylor
4,948,033 A	8/1990	Halsell, II et al.
D326,341 S	5/1992	Frauhiger

(57) **CLAIM**

The ornamental design for a triangular column box, as shown and described.

DESCRIPTION

FIG. 1 is a perspective view of the triangular column box of the present invention shown with two divider panels and vent openings disposed in the front and rear panels;

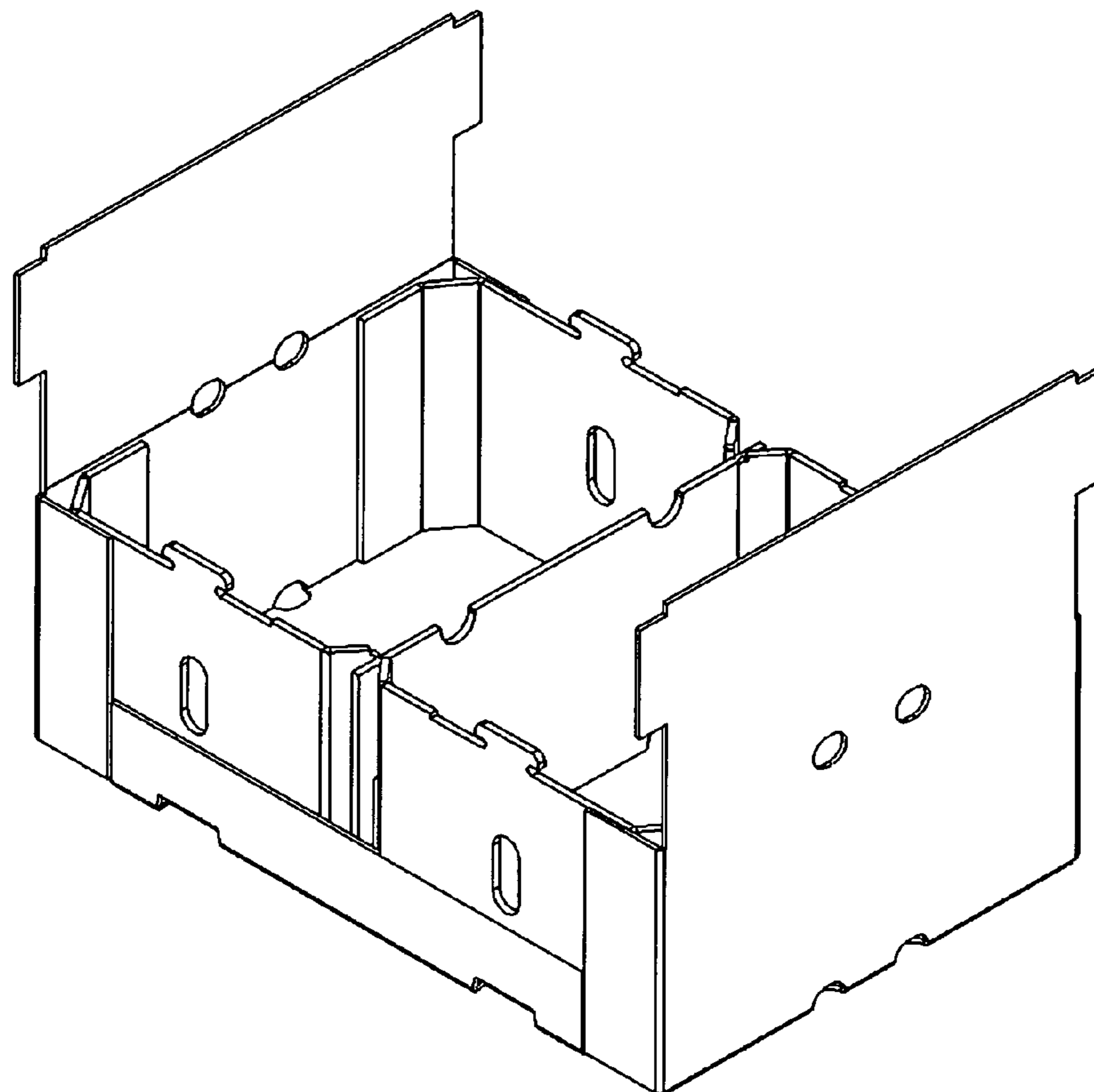
FIG. 2 is a top plan view of the box of FIG. 1;

FIG. 3 is a bottom plan view of the box of FIG. 1;

FIG. 4 is a front elevational view of the box of FIG. 1, the rear elevational view being a mirror image thereof; and,

FIG. 5 is an right side elevational view of the box of FIG. 1, the left side elevational view being a mirror image thereof.

1 Claim, 2 Drawing Sheets



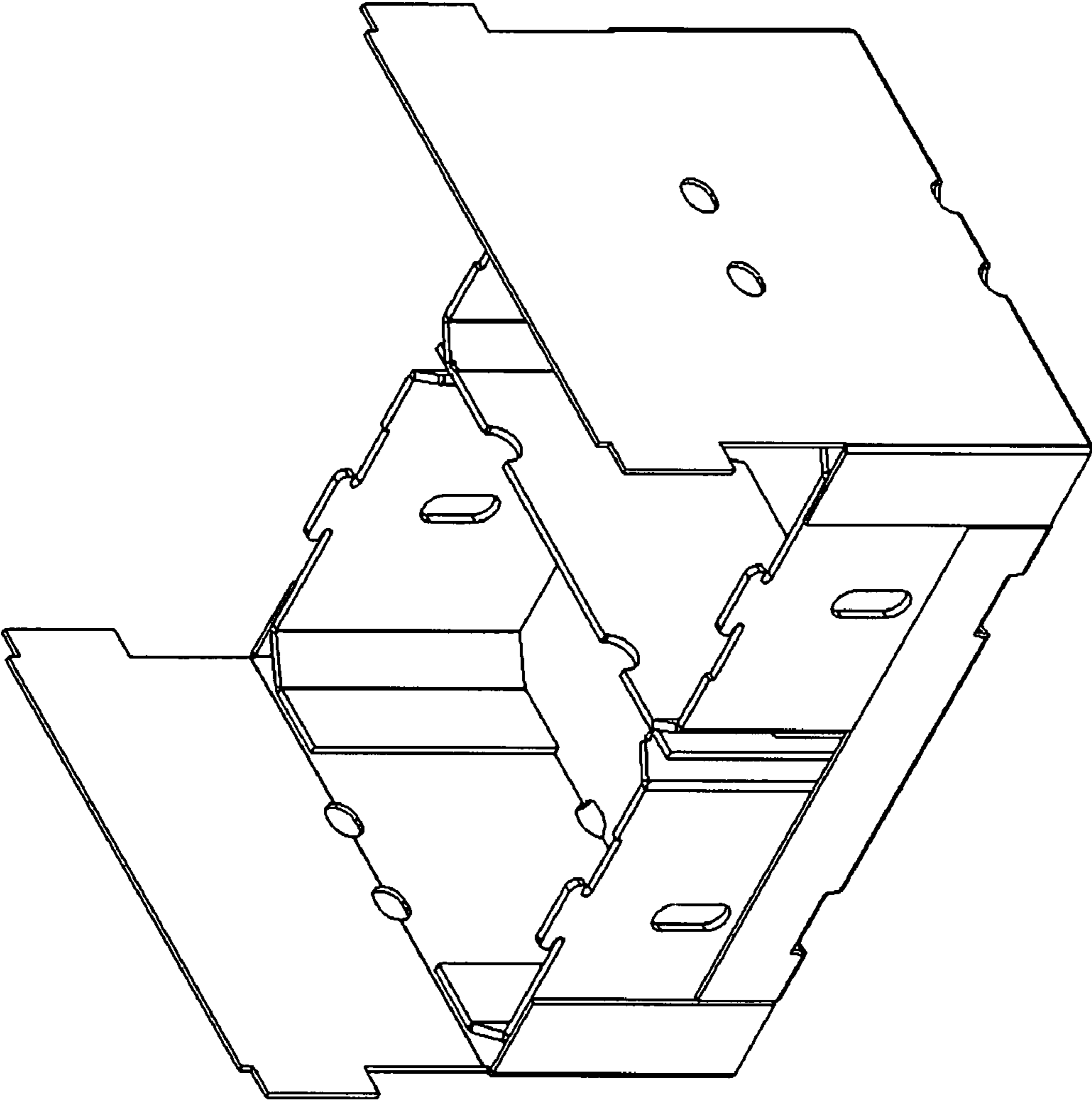


FIG. 1

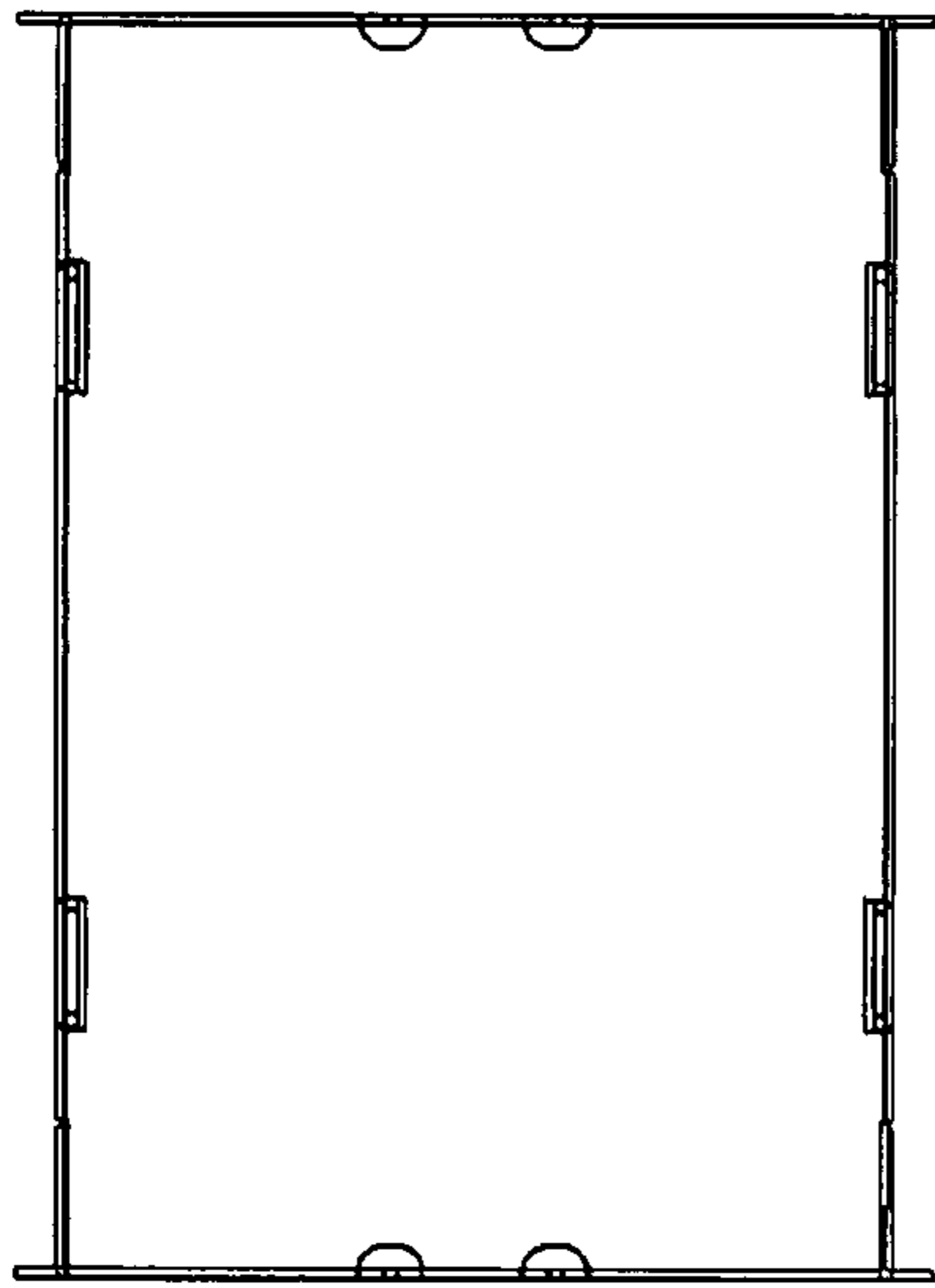


FIG. 3

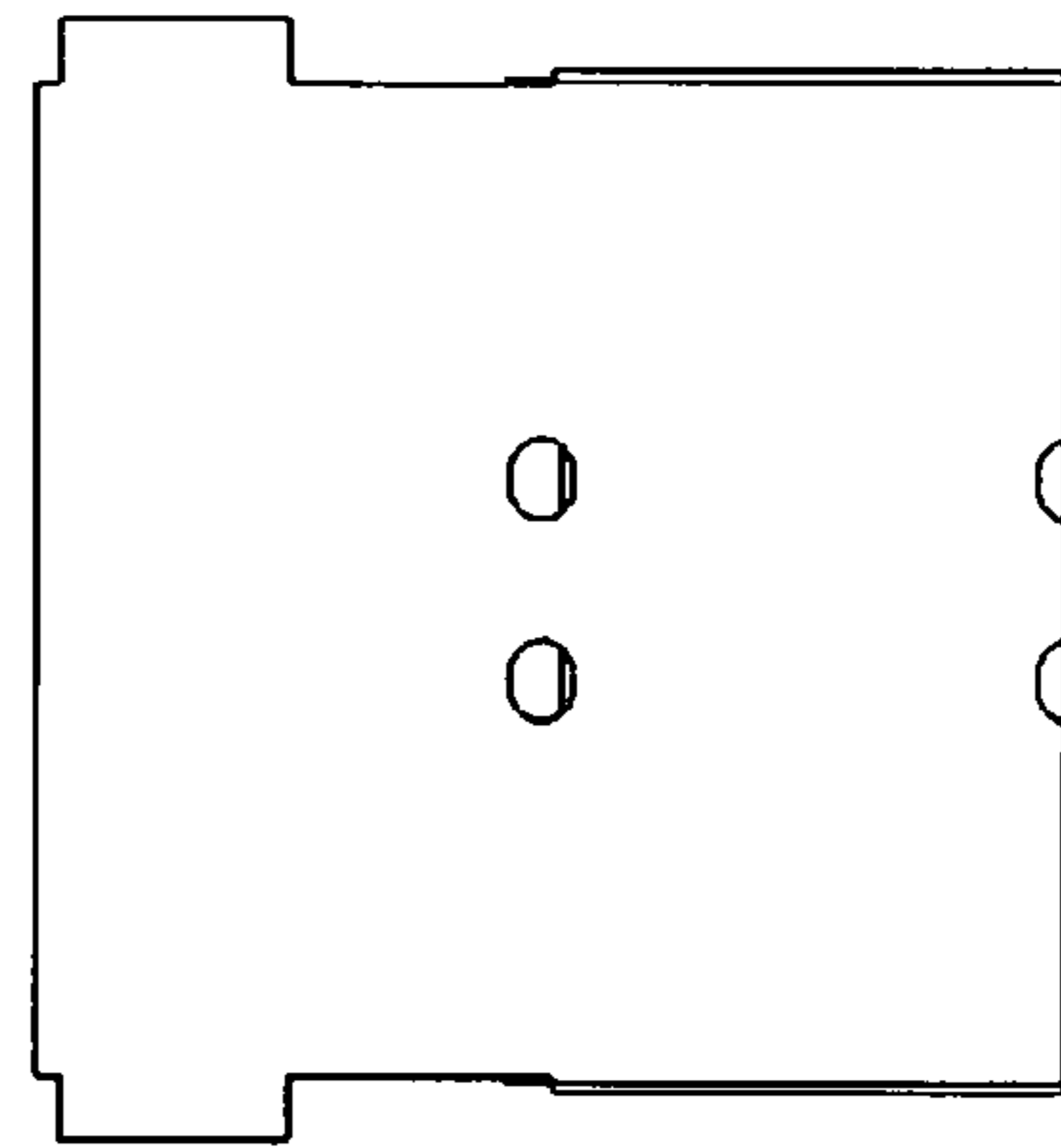


FIG 5

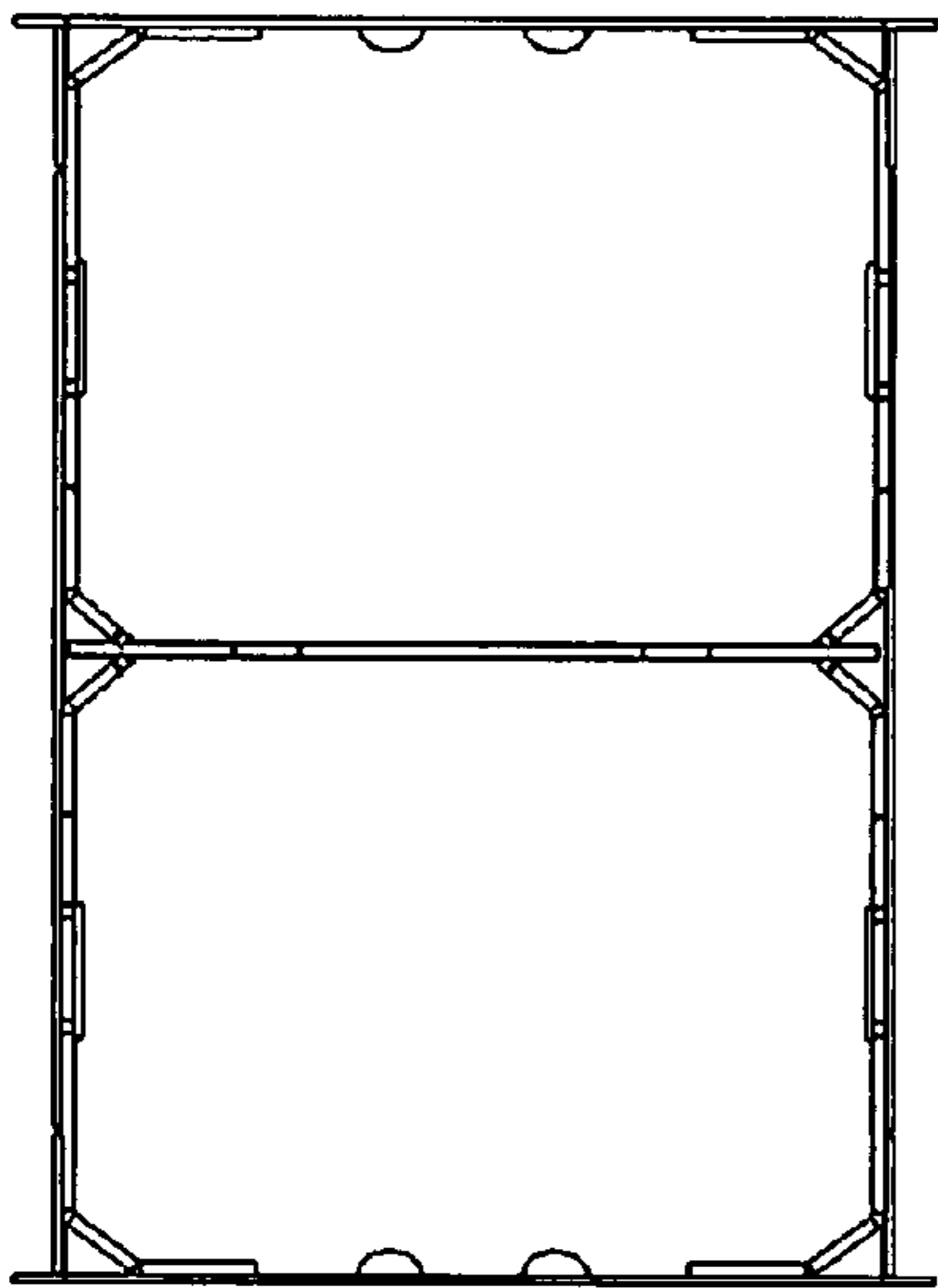


FIG 2

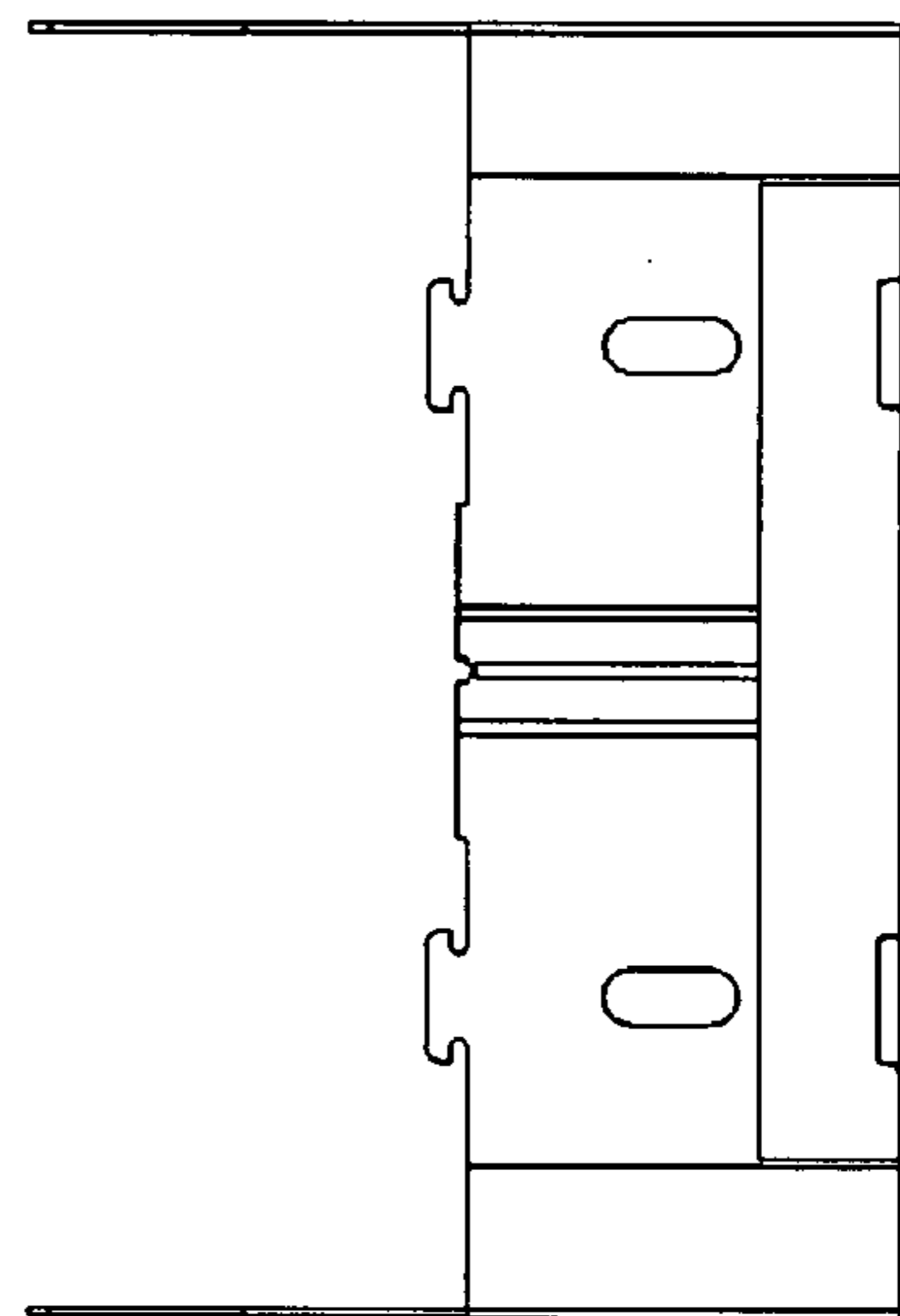


FIG 4