



US00D581780S

(12) **United States Design Patent**
Senter

(10) **Patent No.:** **US D581,780 S**

(45) **Date of Patent:** **** Dec. 2, 2008**

(54) **BLISTER FOR A DISPLAY PACKAGE**

(75) Inventor: **L. Nicholas Senter**, Beach Park, IL (US)

(73) Assignee: **S.C. Johnson & Son, Inc.**, Racine, WI (US)

(**) Term: **14 Years**

(21) Appl. No.: **29/293,495**

(22) Filed: **Nov. 28, 2007**

(51) **LOC (8) Cl.** **09-03**

(52) **U.S. Cl.** **D9/424; D9/415**

(58) **Field of Classification Search** D9/424, D9/414, 415, 418, 419, 425, 432; D3/218, D3/288; 206/389, 461-471, 495, 497, 769, 206/806, 822; 220/669, 675; 229/406
See application file for complete search history.

D480,964 S	10/2003	Lee	
6,814,238 B2	11/2004	Lee	
D511,452 S	11/2005	Dibnah et al.	
D517,909 S	3/2006	Kent et al.	
D522,380 S	6/2006	Dibnah et al.	
D535,004 S	1/2007	Furner et al.	
D538,915 S	3/2007	Anderson et al.	
D540,163 S *	4/2007	Claussen D9/418
2004/0079668 A1	4/2004	Lee	
2005/0269232 A1	12/2005	Eisenbraun	
2006/0091037 A1	5/2006	Grote et al.	
2007/0029223 A1	2/2007	Mazurek	
2007/0051652 A1	3/2007	Tilton	
2007/0102317 A1	5/2007	Crawford et al.	
2007/0187274 A1	8/2007	Dalea et al.	

FOREIGN PATENT DOCUMENTS

AU	733784	3/1999
AU	149717 S	10/2002
AU	149718 S	10/2002

(56) **References Cited**

U.S. PATENT DOCUMENTS

3,861,528 A	1/1975	Damuth	
4,784,268 A	11/1988	Perchak	
4,795,029 A *	1/1989	Campbell et al. 206/278
4,901,858 A	2/1990	Anderson	
4,905,832 A	3/1990	Boll et al.	
5,154,293 A	10/1992	Gould	
5,236,749 A	8/1993	Ewing	
D352,236 S	11/1994	Althaus	
5,429,241 A *	7/1995	Althaus 206/471
5,439,100 A	8/1995	Gordon et al.	
D365,022 S	12/1995	Wada	
5,522,505 A	6/1996	Giovannone	
5,819,939 A	10/1998	Boyer	
D418,407 S *	1/2000	Uzawa D9/415
6,152,299 A	11/2000	O'Malley et al.	
D442,857 S *	5/2001	Feehan, Jr. D9/415
D448,283 S *	9/2001	Chapman D9/415
D466,803 S	12/2002	Yang	
D467,172 S *	12/2002	Thompson et al. D9/415
D469,348 S *	1/2003	Demus et al. D9/415
6,523,689 B2	2/2003	Mickel	
D480,300 S	10/2003	Lee	
D480,638 S	10/2003	Lee	

(Continued)

Primary Examiner—Prabhakar Deshmukh
Assistant Examiner—Derrick Holland

(57) **CLAIM**

The ornamental design for a blister for a display package, as shown and described.

DESCRIPTION

FIG. 1 is a perspective view of a top, front, and right side of a blister for a display package showing my design;

FIG. 2 is a front elevational view thereof;

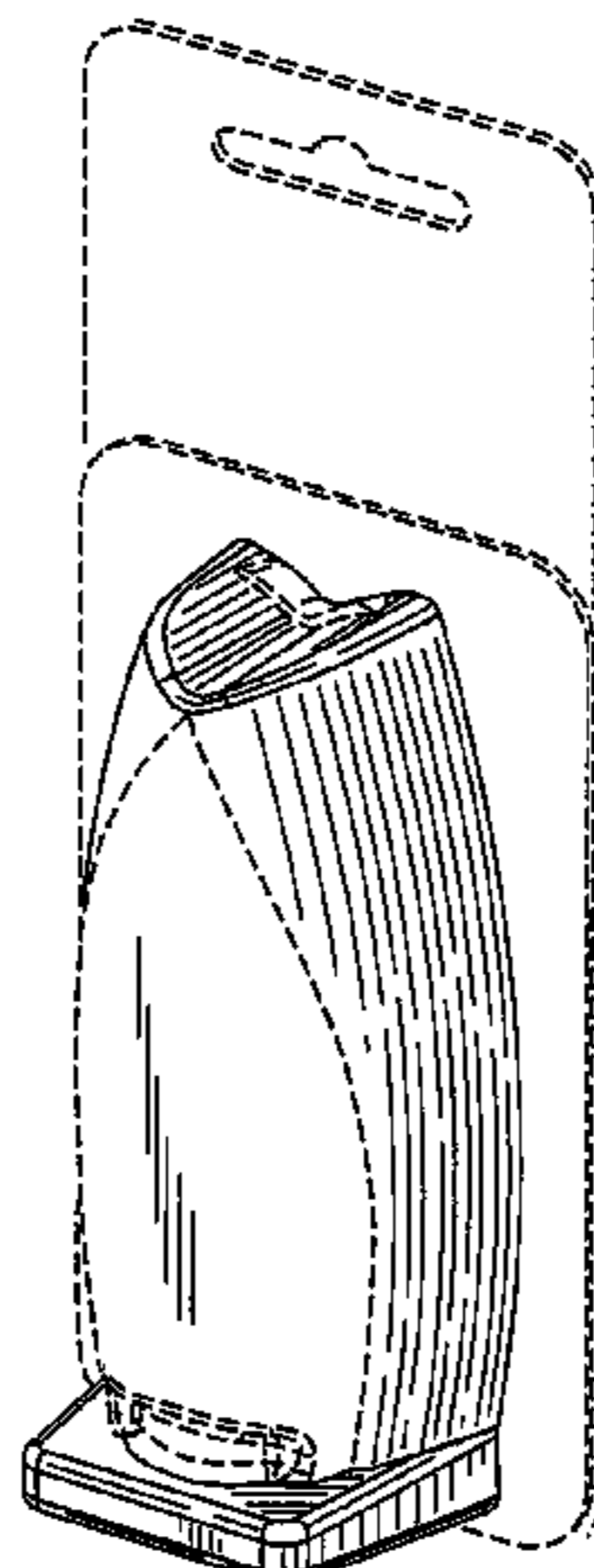
FIG. 3 is a right side elevational view thereof, the left side being a mirror image;

FIG. 4 is a top plan view thereof; and,

FIG. 5 is a bottom plan view thereof.

The subject matter shown in broken lines depicts environmental structure and forms no part of the claimed design.

1 Claim, 1 Drawing Sheet



US D581,780 S

Page 2

FOREIGN PATENT DOCUMENTS					
			JP	1162920	11/2002
			JP	1193401	11/2003
			JP	1193977	11/2003
			JP	1193978	11/2003
			JP	1205787	4/2004
			JP	1206993	4/2004
			JP	1206994	4/2004
			JP	1206995	4/2004
			JP	1225241	10/2004
			JP	1257255	10/2005
			JP	1258755	11/2005
			JP	1259609	11/2005
			JP	1259611	11/2005
			JP	1271452	3/2006
			JP	1271621	3/2006
			JP	1271624	3/2006
			JP	1271810	4/2006
			JP	1285325	9/2006
			JP	1288827	11/2006
			JP	1289064	11/2006
			JP	1309989	8/2007
			KR	30-0229727	10/1998
			KR	30-0234035	12/1998
			KR	30-0234036	12/1998
			KR	30-0286166	11/2001
			KR	30-0295755	3/2002
			KR	10-2002-0059757	7/2002
			KR	20-0305978	2/2003
			KR	30-0362445	9/2004
			KR	10-2004-0111550	12/2004
			KR	10-2005-0095626	9/2005
			KR	20-0396262	9/2005
			KR	30-0394860	10/2005
			KR	10-2005-0103948	11/2005
			KR	10-2005-0119637	12/2005
			KR	10-2006-0069820	6/2006
			KR	30-0433061	12/2006
			KR	30-0442917	3/2007
			KR	30-0442918	3/2007
			KR	10-0092997	9/2007
			MX	9116	11/1997
			MX	PA 02009228	3/2003
			MX	234802	3/2006
			SG	DU2005/1314 I	7/2005
			WO	WO 99/07619	2/1999
			WO	DM/047254	6/1999
			WO	DM/052947	11/2000
			WO	DM/054163	2/2001
			WO	DM/054317	2/2001
			WO	DM/054784	3/2001
			WO	DM/055342	4/2001
			WO	WO 01/36293	5/2001
			WO	DM/060622	8/2002
			WO	DM/064257	10/2003
			WO	WO 03/091019	11/2003
			WO	WO 2004/067041	8/2004
			WO	WO 2004/074131	9/2004
			WO	WO 2004/102698	11/2004
			WO	WO 2005/011373	2/2005
			WO	DM/066517	7/2005
			WO	WO 2006/020075	2/2006
			WO	DM/068167	10/2006
AU	150973	3/2003			
AU	300101	8/2004			
AU	302118	6/2005			
AU	304023	11/2005			
AU	312641	1/2007			
AU	313093	2/2007			
AU	313386	3/2007			
AU	316320	9/2007			
CR	14680	9/1983			
CR	28494	2/1999			
DE	74 36 038	3/1975			
DE	33 25 617	1/1985			
DE	40200788	5/2002			
DE	40401821	7/2004			
DE	40406984	4/2005			
DE	40402928	7/2005			
DE	40403011	7/2005			
DE	40600348	7/2006			
DE	40603295	1/2007			
DE	40700820	5/2007			
EC	56155-0001	7/2003			
EC	85170-0001	10/2003			
EC	177506-0001	5/2004			
EC	195755-0001	6/2004			
EC	530175-0001	5/2006			
EC	657440-0001	1/2007			
EP	327 479	8/1989			
EP	605 880	7/1994			
EP	856 476	8/1998			
GB	2040236	11/1994			
GB	2051003	2/1996			
GB	2066620	9/1997			
GB	3008425	3/2003			
GB	3019663	2/2005			
GB	3025331	9/2006			
HK	0110027.0	1/2001			
HK	0310453.4M002	3/2003			
JP	835173	1/1992			
JP	859634	10/1992			
JP	898443	2/1994			
JP	907544	6/1994			
JP	964594	7/1996			
JP	982981	4/1997			
JP	1024821	8/1998			
JP	1026190	9/1998			
JP	1067263	1/2000			
JP	1067264	1/2000			
JP	1067265	1/2000			
JP	1067266	1/2000			
JP	1068010	1/2000			
JP	1070248	2/2000			
JP	1070268	2/2000			
JP	1096994	11/2000			
JP	1101014	12/2000			
JP	1109153	3/2001			
JP	1122714	8/2001			
JP	1134160	12/2001			
JP	1140255	3/2002			
JP	1141991	3/2002			
JP	1142497	4/2002			
JP	1151942	7/2002			
JP	1162918	11/2002			
JP	1162919	11/2002			

* cited by examiner

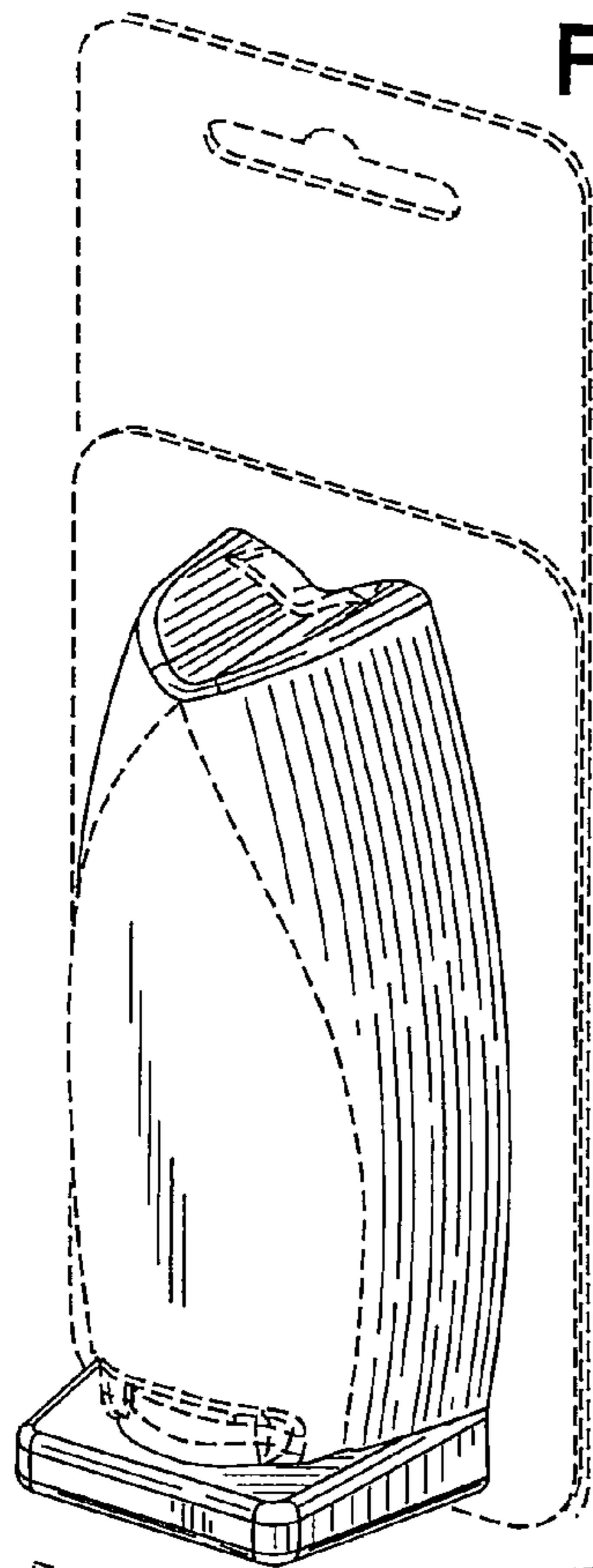


Fig. 1

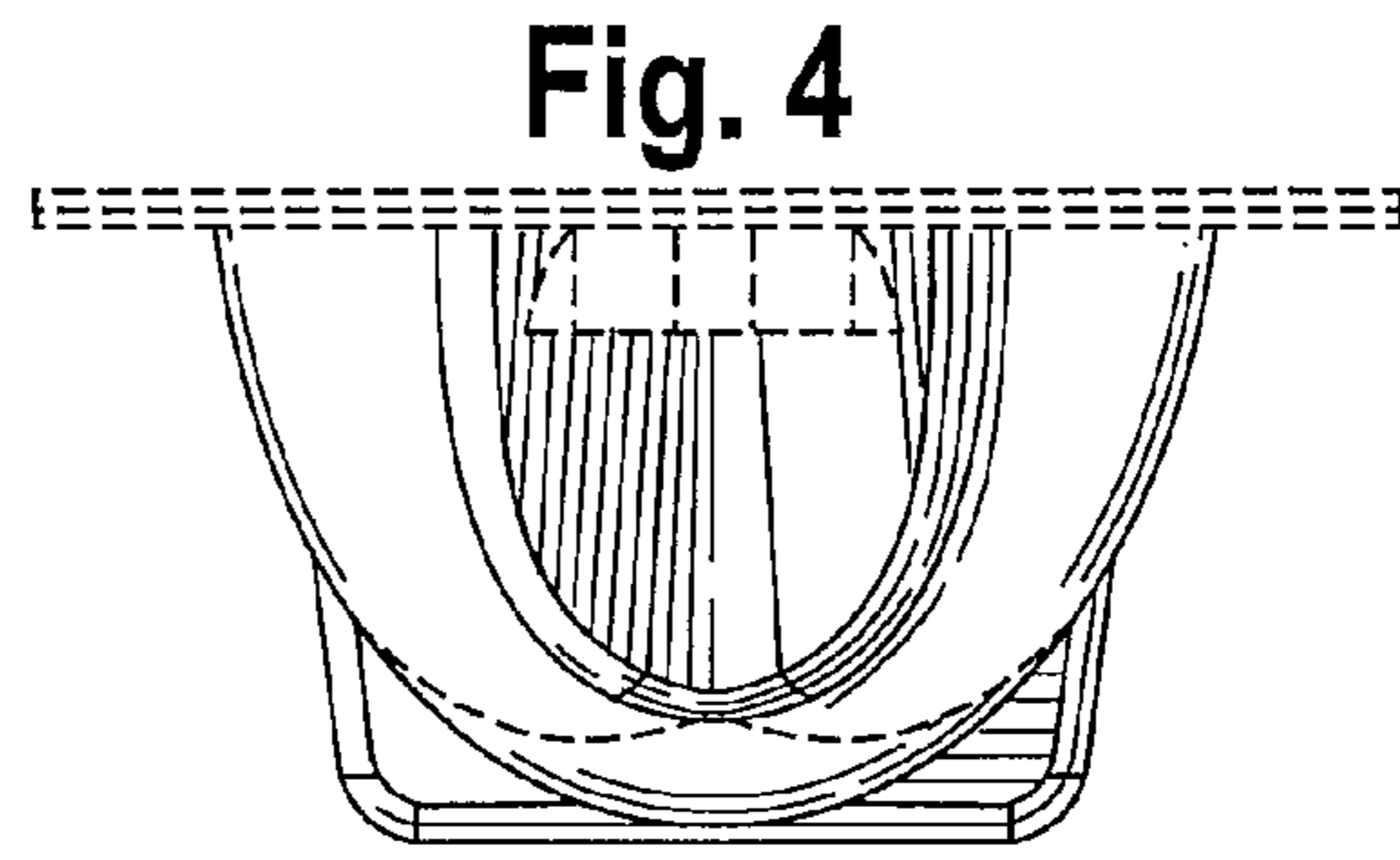


Fig. 4

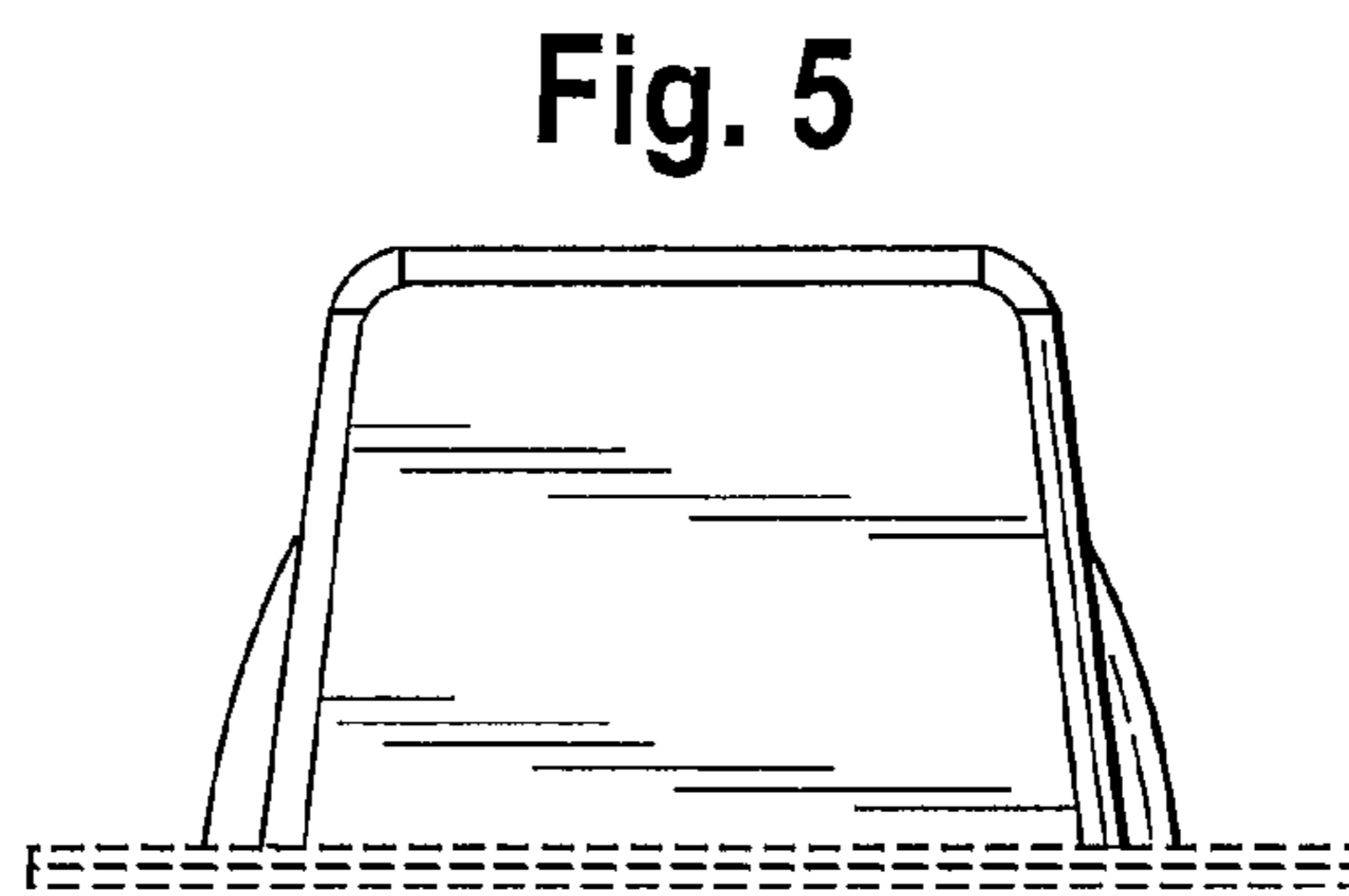


Fig. 5

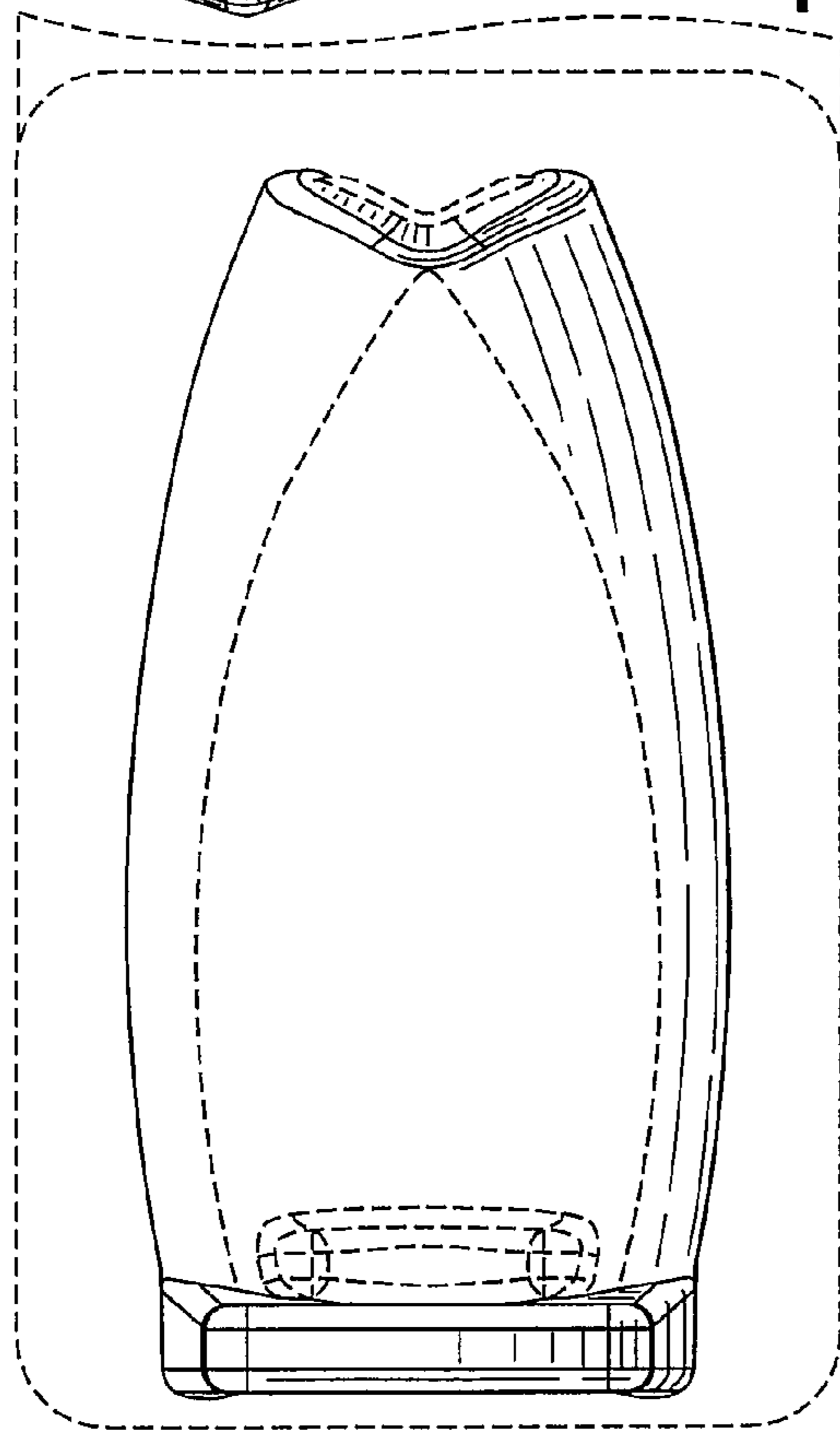


Fig. 2

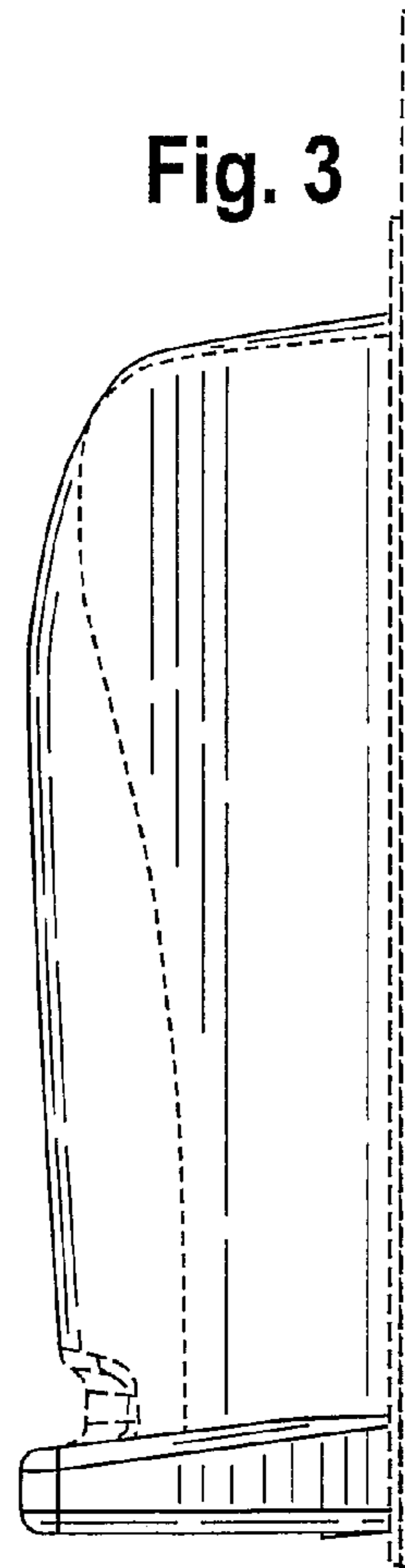


Fig. 3