



US00D581779S

(12) **United States Design Patent**
Ricereto et al.

(10) **Patent No.:** **US D581,779 S**

(45) **Date of Patent:** **** Dec. 2, 2008**

(54) **WINDOW OPERATOR HOUSING**

5,531,045 A 7/1996 Piltingsrud

(75) Inventors: **Michael Hart Ricereto**, Baltimore, MD (US); **Hyunchul Kim**, Chicago, IL (US)

(Continued)

FOREIGN PATENT DOCUMENTS

(73) Assignee: **Newell Operating Company**, Atlanta, GA (US)

CA 2087309 C 11/1993
CA 2131214 C 1/1996

(**) Term: **14 Years**

Primary Examiner—Prabhakar Deshmukh

Assistant Examiner—Derrick Holland

(21) Appl. No.: **29/281,807**

(74) *Attorney, Agent, or Firm*—Banner & Witcoff, Ltd.

(22) Filed: **Jul. 2, 2007**

(57) **CLAIM**

(51) **LOC (8) Cl.** **08-09**

We claim the ornamental design for a window operator housing, as shown and described.

(52) **U.S. Cl.** **D8/400; D8/309**

(58) **Field of Classification Search** D8/400, D8/300–303, 306–309, 330, 336–338, 343; 49/246, 295, 342, 359, 363, 371, 460; 74/543, 74/545

DESCRIPTION

See application file for complete search history.

FIG. 1 is a perspective view of a window operator housing of the present claimed design;

FIG. 2 is an enlarged perspective view of the window operator housing shown in FIG. 1;

FIG. 3 is a top view of the window operator housing shown in FIG. 2;

(56) **References Cited**

U.S. PATENT DOCUMENTS

D176,652 S *	1/1956	Blanchard	D8/400
D198,202 S	5/1964	Morgan		
4,083,264 A	4/1978	Van Klompenburg		
4,189,248 A	2/1980	Sully		
4,209,266 A	6/1980	Bowen et al.		
4,253,276 A	3/1981	Peterson et al.		
4,266,371 A	5/1981	Erdman et al.		
4,305,228 A	12/1981	Nelson		
4,346,372 A	8/1982	Sandberg		
4,521,993 A	6/1985	Tacheny et al.		
4,617,758 A	10/1986	Vetter		
4,679,352 A	7/1987	Bates		
4,860,493 A	8/1989	Lense		
4,887,392 A	12/1989	Lense		
D347,569 S	6/1994	Vetter et al.		
D350,666 S	9/1994	Wobschall et al.		
D361,490 S	8/1995	Vetter		
5,440,839 A	8/1995	Piltingsrud		
5,467,503 A	11/1995	Nolte et al.		
D365,513 S	12/1995	Vetter et al.		
5,493,813 A	2/1996	Vetter et al.		

FIG. 4 is a front view of the window operator housing shown in FIG. 2;

FIG. 5 is a left side view of the window operator housing shown in FIG. 2;

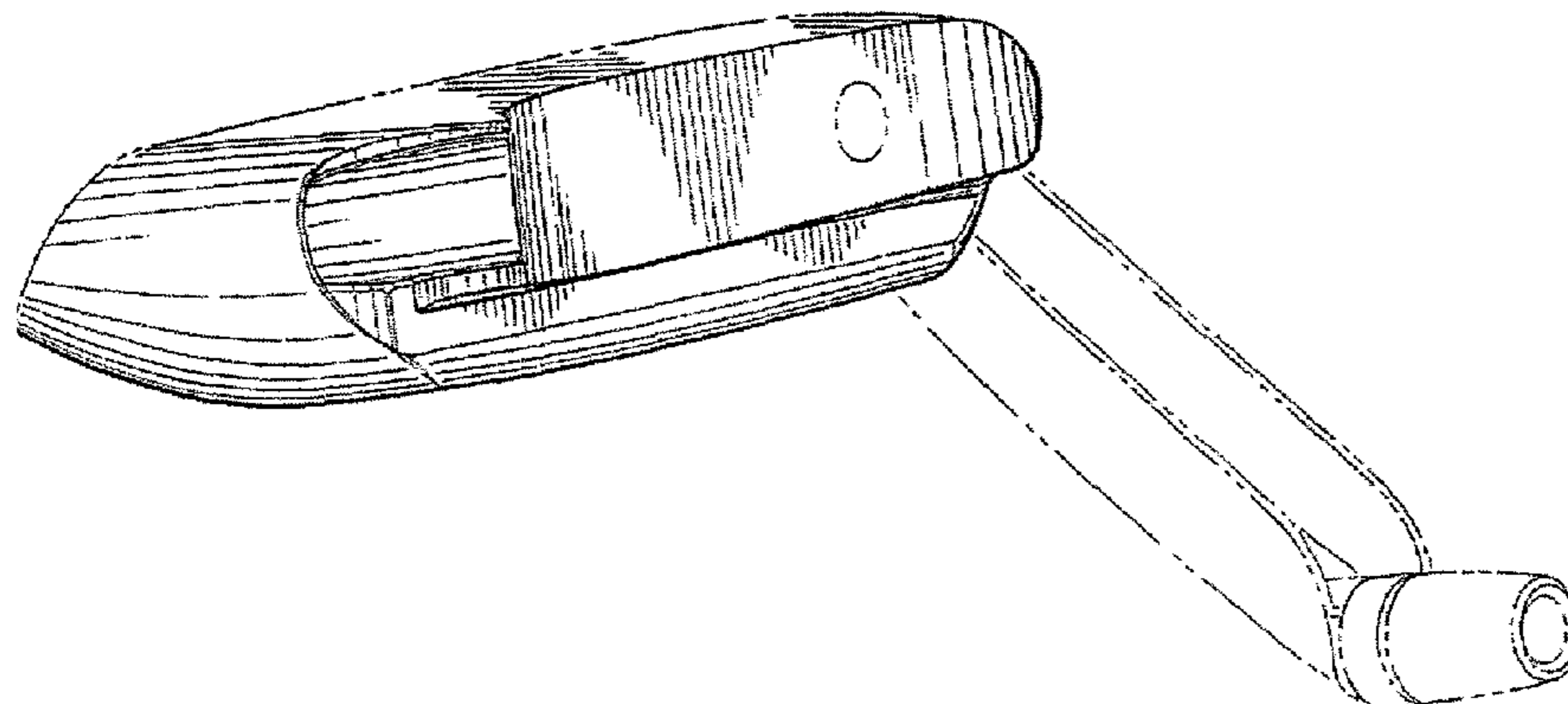
FIG. 6 is a right side view of the window operator housing shown in FIG. 2;

FIG. 7 is a rear view of the window operator housing shown in FIG. 2; and,

FIG. 8 is a bottom view of the window operator housing shown in FIG. 1.

The broken lines running along the perimeter of the bottom of the claim adjacent to the claimed areas in the views represent the boundaries of the design. The additional broken lines of a lever and elements shown on the claim in the figures illustrate the portions of the design that form no part of the claim. None of the broken lines form any part of the claimed design.

1 Claim, 3 Drawing Sheets



US D581,779 S

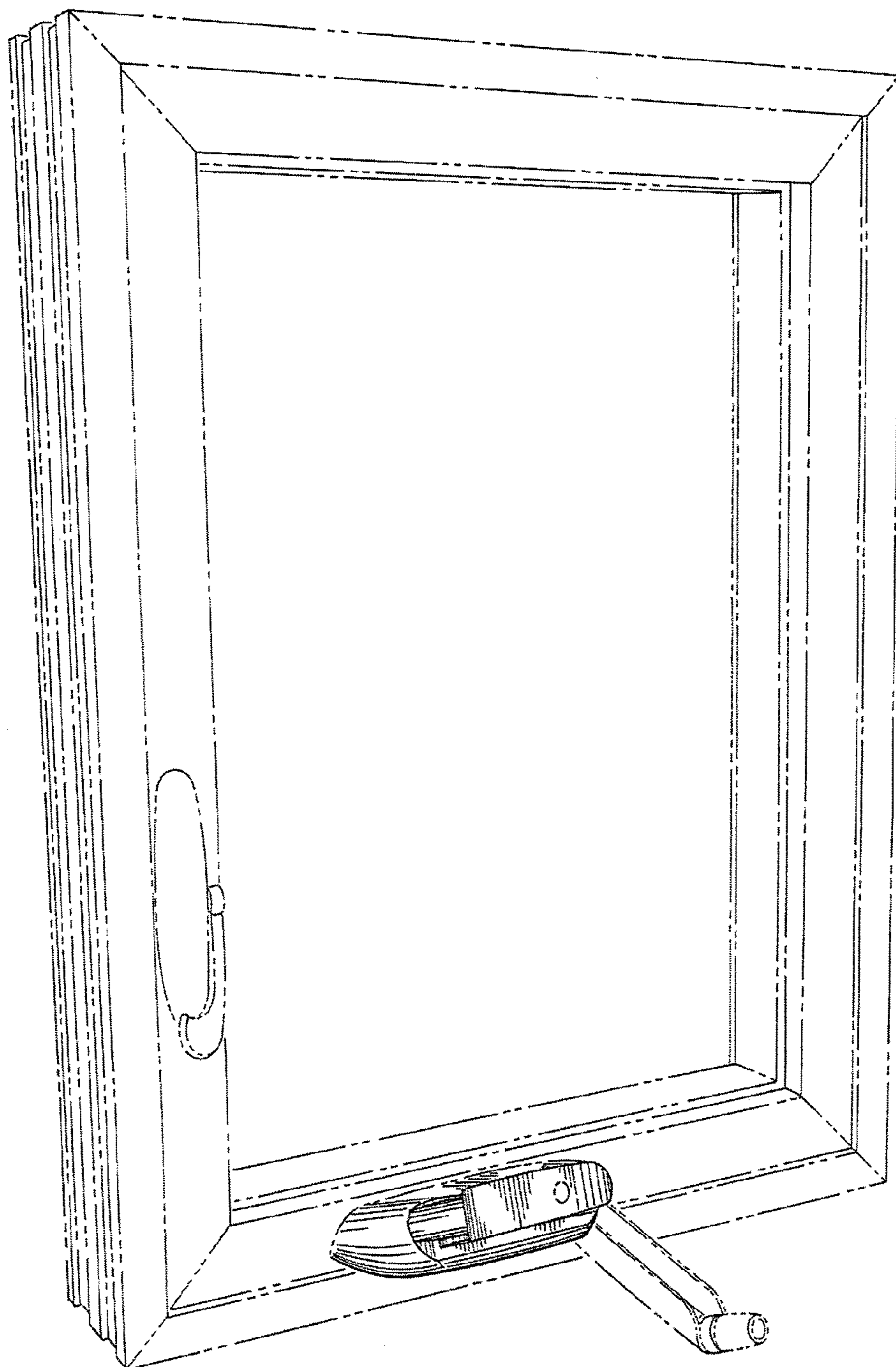
Page 2

U.S. PATENT DOCUMENTS

5,531,138 A	7/1996	Vetter	6,128,858 A	10/2000	Vetter et al.	
D375,042 S	10/1996	Anderson et al.	6,164,156 A	12/2000	Purcell	
5,560,082 A	10/1996	Vetter	D442,464 S *	5/2001	Richardson	D8/330
D375,254 S	11/1996	Anderson et al.	D457,422 S	5/2002	Gledhill et al.	
D375,674 S	11/1996	Anderson et al.	D481,933 S	11/2003	Smith et al.	
D379,917 S	6/1997	Vetter et al.	D492,572 S	7/2004	Smith et al.	
D390,454 S	2/1998	Vetter et al.	D494,850 S *	8/2004	Braun et al.	D8/400
D408,274 S	4/1999	Vetter et al.	D497,304 S *	10/2004	Stoll et al.	D8/337
D408,729 S	4/1999	Virkler et al.	6,837,004 B2	1/2005	Annes	
D418,050 S	12/1999	Lisiecki et al.	D522,837 S *	6/2006	Vetter et al.	D8/306
D420,889 S	2/2000	DePass	7,147,256 B2	12/2006	Gill	

* cited by examiner

FIG. 1



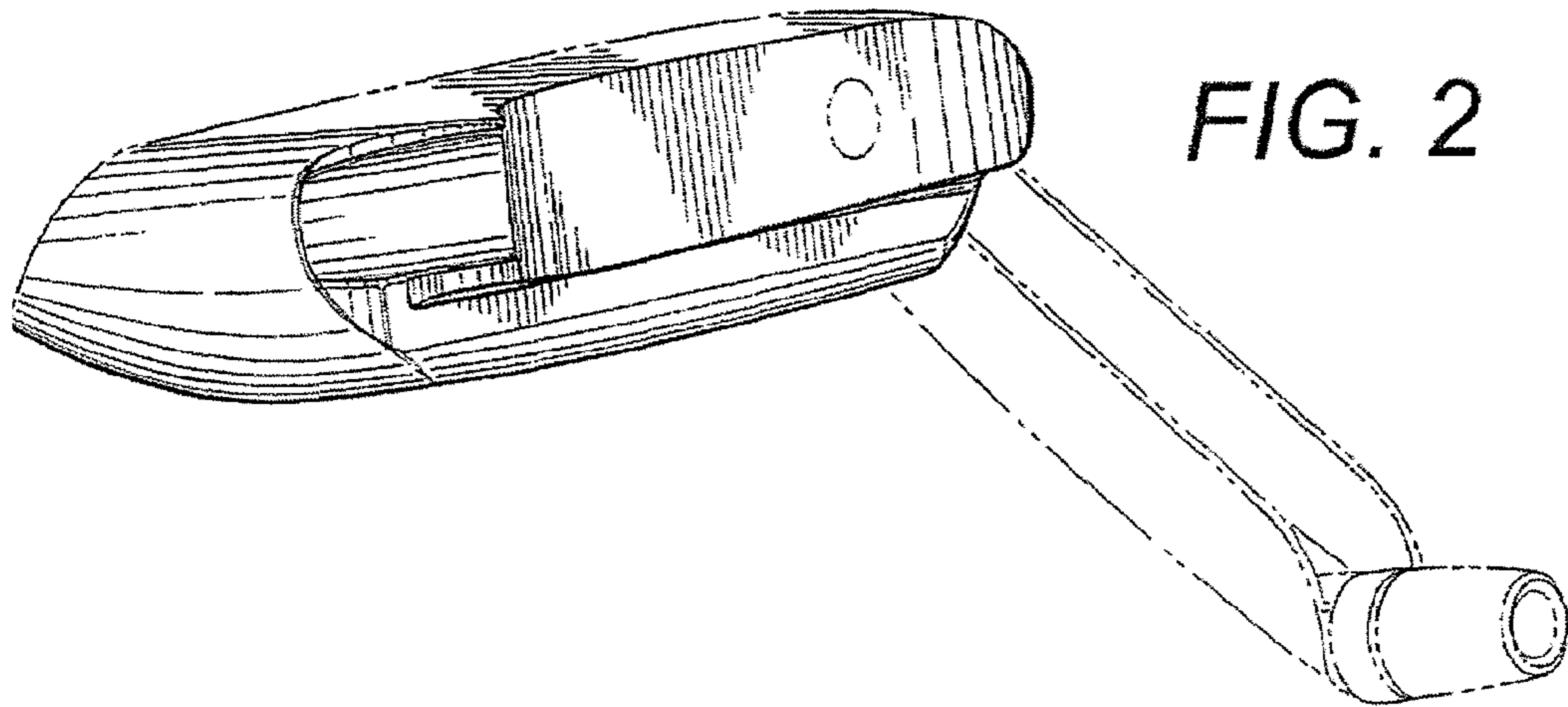


FIG. 2

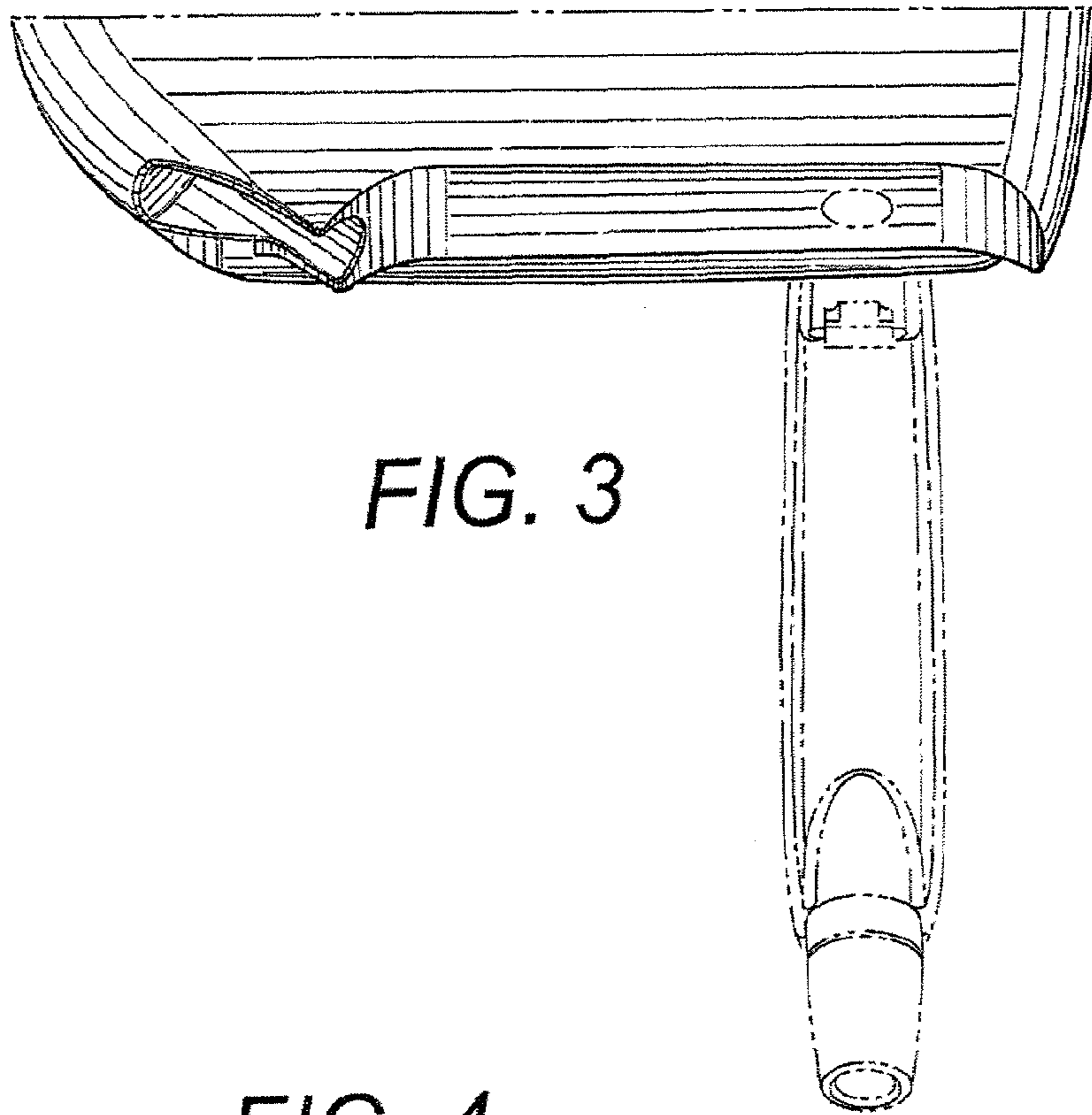


FIG. 3

FIG. 4

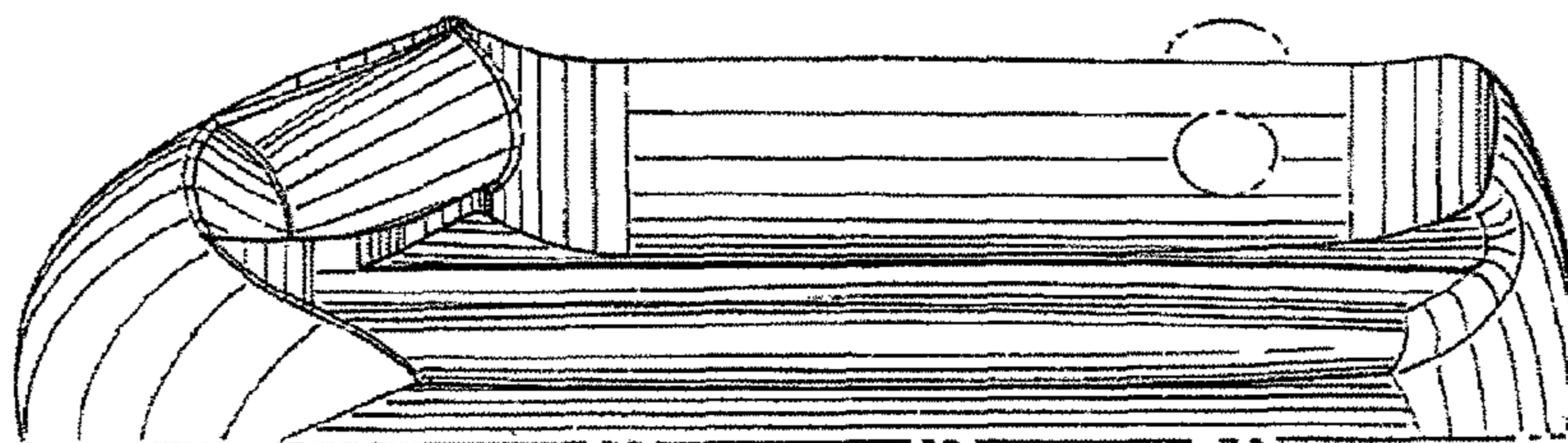


FIG. 5

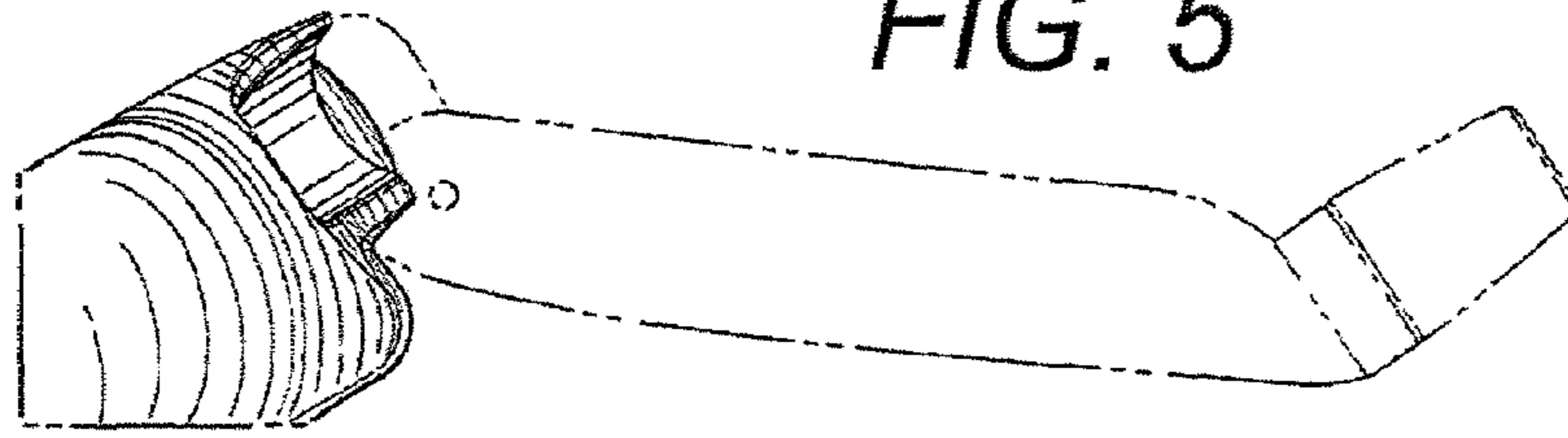


FIG. 6

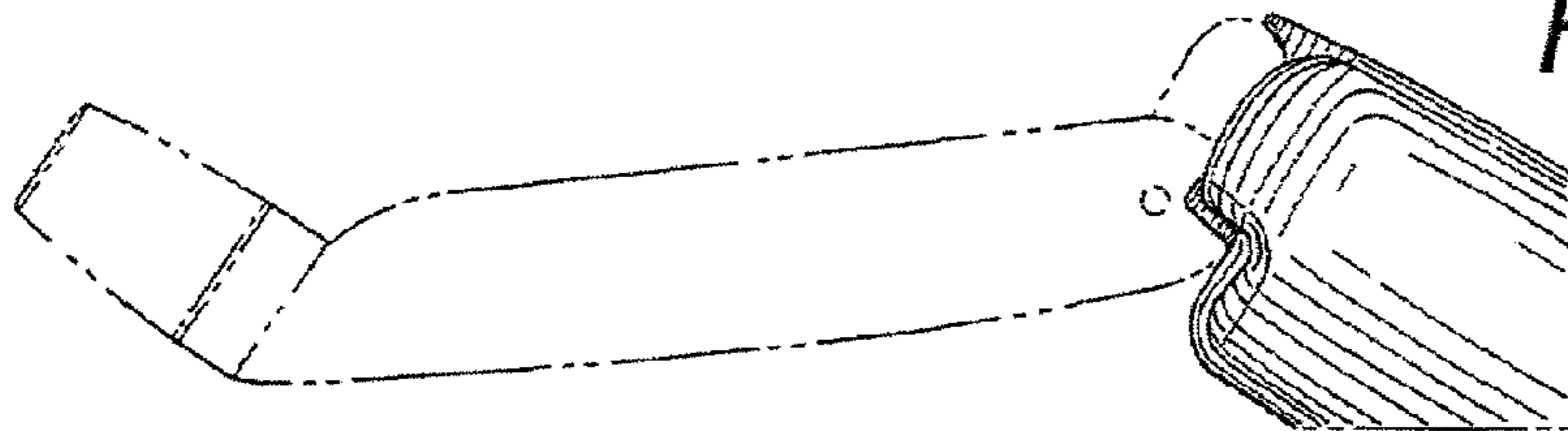


FIG. 7

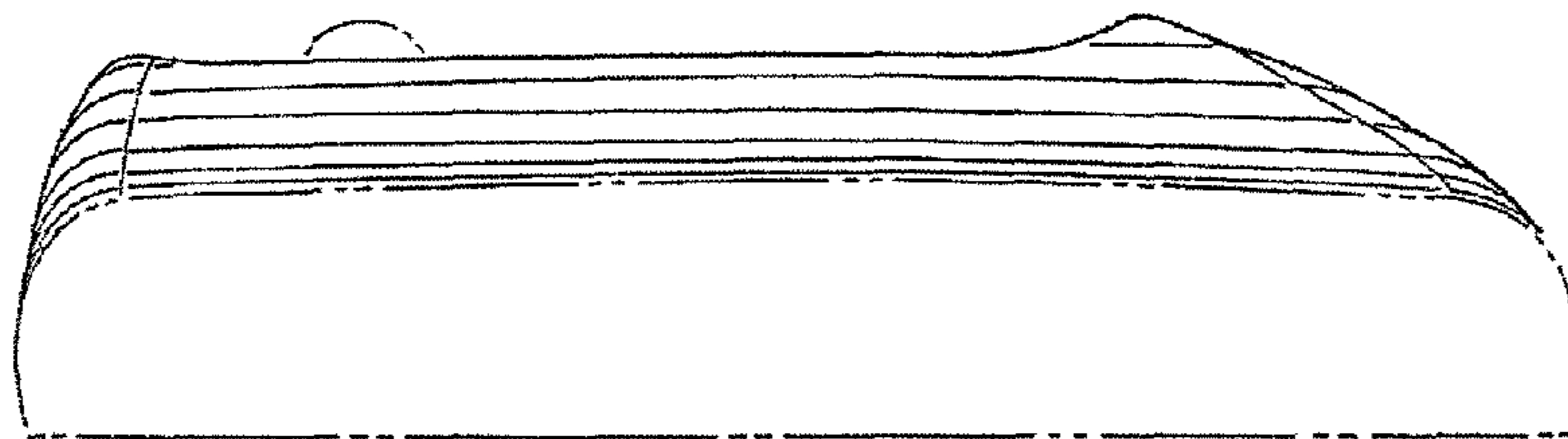


FIG. 8

