



US00D581778S

(12) **United States Design Patent**  
**Lesesky**

(10) **Patent No.:** **US D581,778 S**  
(45) **Date of Patent:** **\*\* Dec. 2, 2008**

(54) **HARDWARE NUT**

(75) Inventor: **Alan C. Lesesky**, Charlotte, NC (US)

(73) Assignee: **Vehicle Enhancemant Systems, Inc.**,  
Rock Hill, SC (US)

(\*\*) Term: **14 Years**

(21) Appl. No.: **29/301,003**

(22) Filed: **Feb. 6, 2008**

(51) **LOC (8) Cl.** ..... **08-08**

(52) **U.S. Cl.** ..... **D8/397**

(58) **Field of Classification Search** ..... D8/382,  
D8/387, 394, 397-399; 411/81, 88, 90-93,  
411/96-98, 103, 114, 106-108, 132-165,  
411/172-189, 337, 338, 366.1-366.3, 368,  
411/369, 371.2, 371.5, 418, 427, 429-432,  
411/436, 437, 523, 531-538, 542, 544; D13/154  
See application file for complete search history.

(56) **References Cited**

**U.S. PATENT DOCUMENTS**

2,923,339 A \* 2/1960 Skidmore ..... 411/277  
D220,027 S \* 3/1971 Myers ..... D8/397  
4,543,023 A \* 9/1985 Capuano ..... 411/180

4,601,623 A \* 7/1986 Wallace ..... 411/336  
5,190,423 A \* 3/1993 Ewing ..... 411/134  
D398,837 S \* 9/1998 Spence ..... D8/397  
5,827,027 A \* 10/1998 Wakabayashi ..... 411/283  
D451,373 S \* 12/2001 Shinjo et al. .... D8/397  
D457,054 S \* 5/2002 Pamer et al. .... D8/397  
D510,259 S \* 10/2005 Yoshimoto ..... D8/397  
D511,499 S \* 11/2005 Chung ..... D13/154  
2007/0243040 A1 \* 10/2007 Chen ..... 411/161

\* cited by examiner

*Primary Examiner*—Holly H Baynham

*Assistant Examiner*—Cynthia M Chin

(74) *Attorney, Agent, or Firm*—Schwartz Law Firm, P.C.

(57) **CLAIM**

I claim the ornamental design for a hardware nut, as shown.

**DESCRIPTION**

FIG. 1 is a perspective view of the hardware nut;

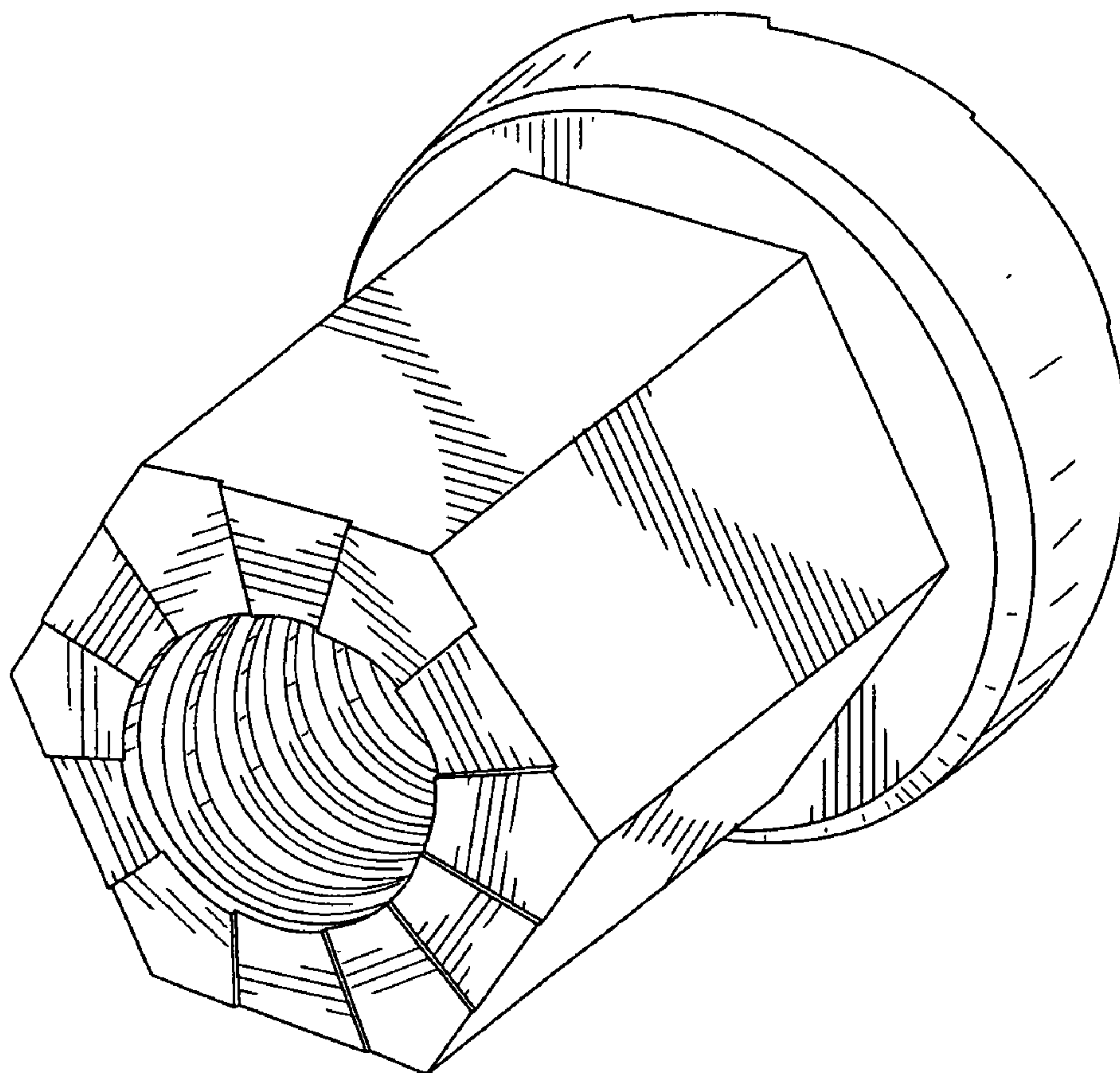
FIG. 2 is a top view thereof;

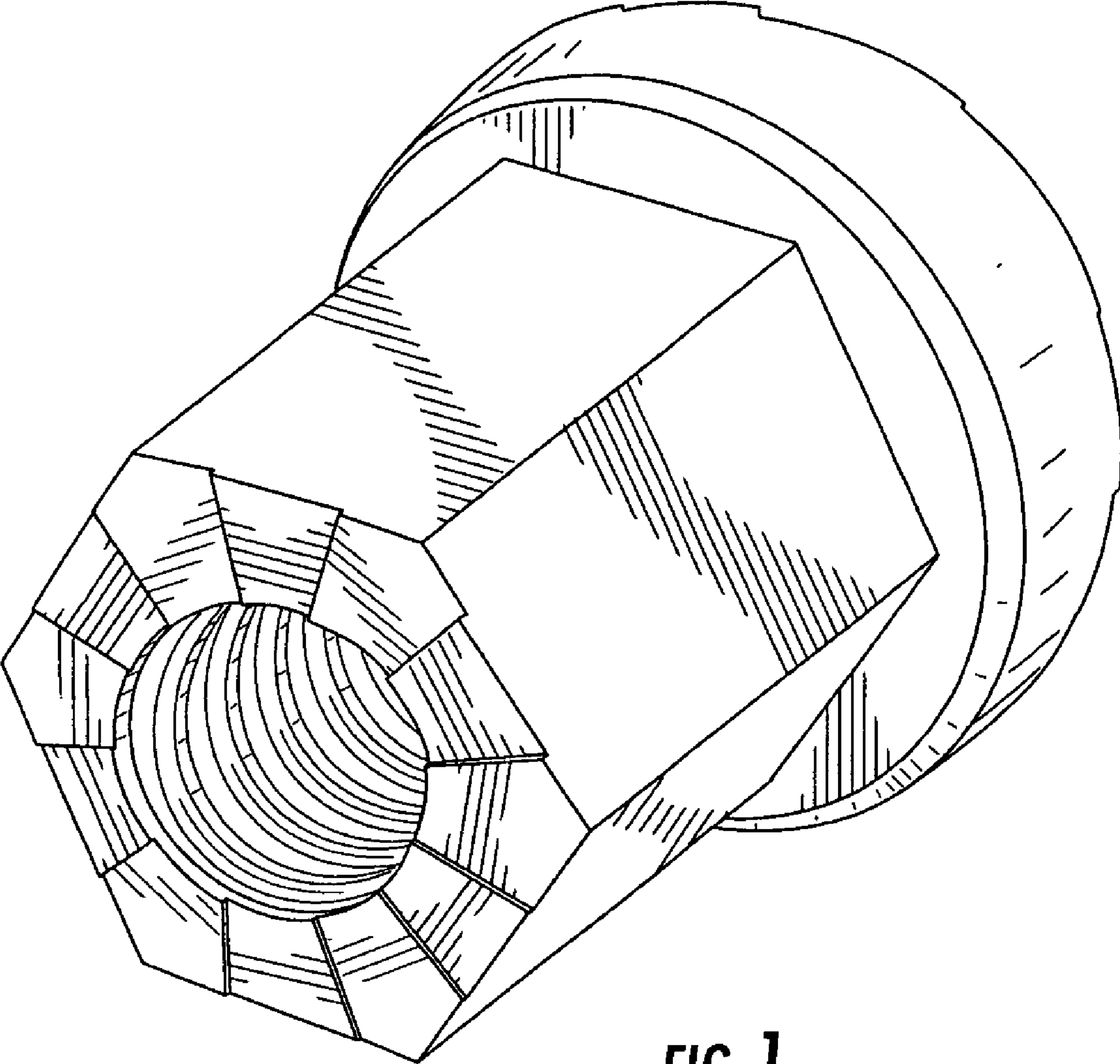
FIG. 3 is a bottom view thereof;

FIG. 4 is a first side view thereof; and,

FIG. 5 is a second side view thereof.

**1 Claim, 2 Drawing Sheets**





**FIG. 1**

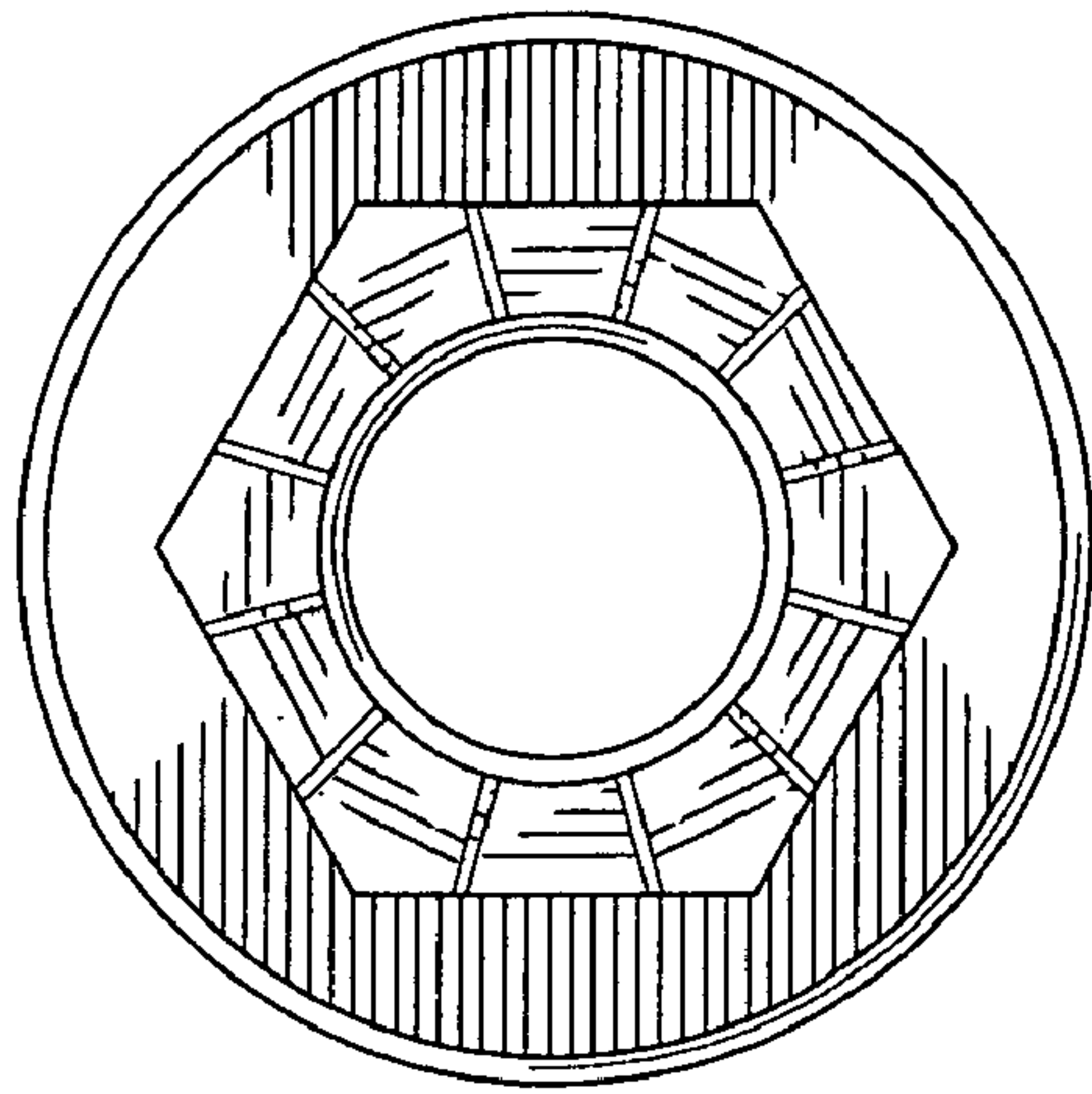


FIG. 2

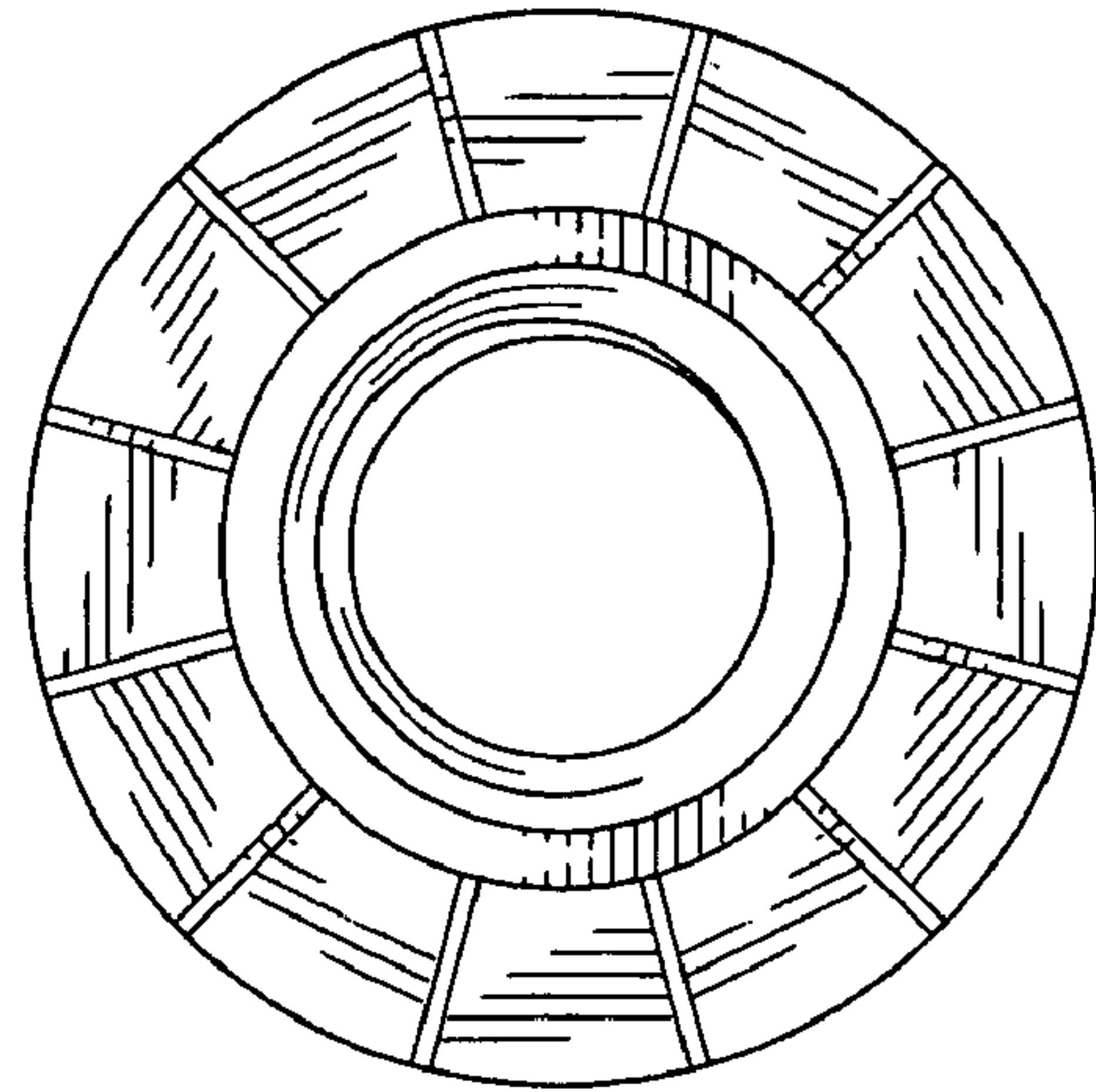


FIG. 3

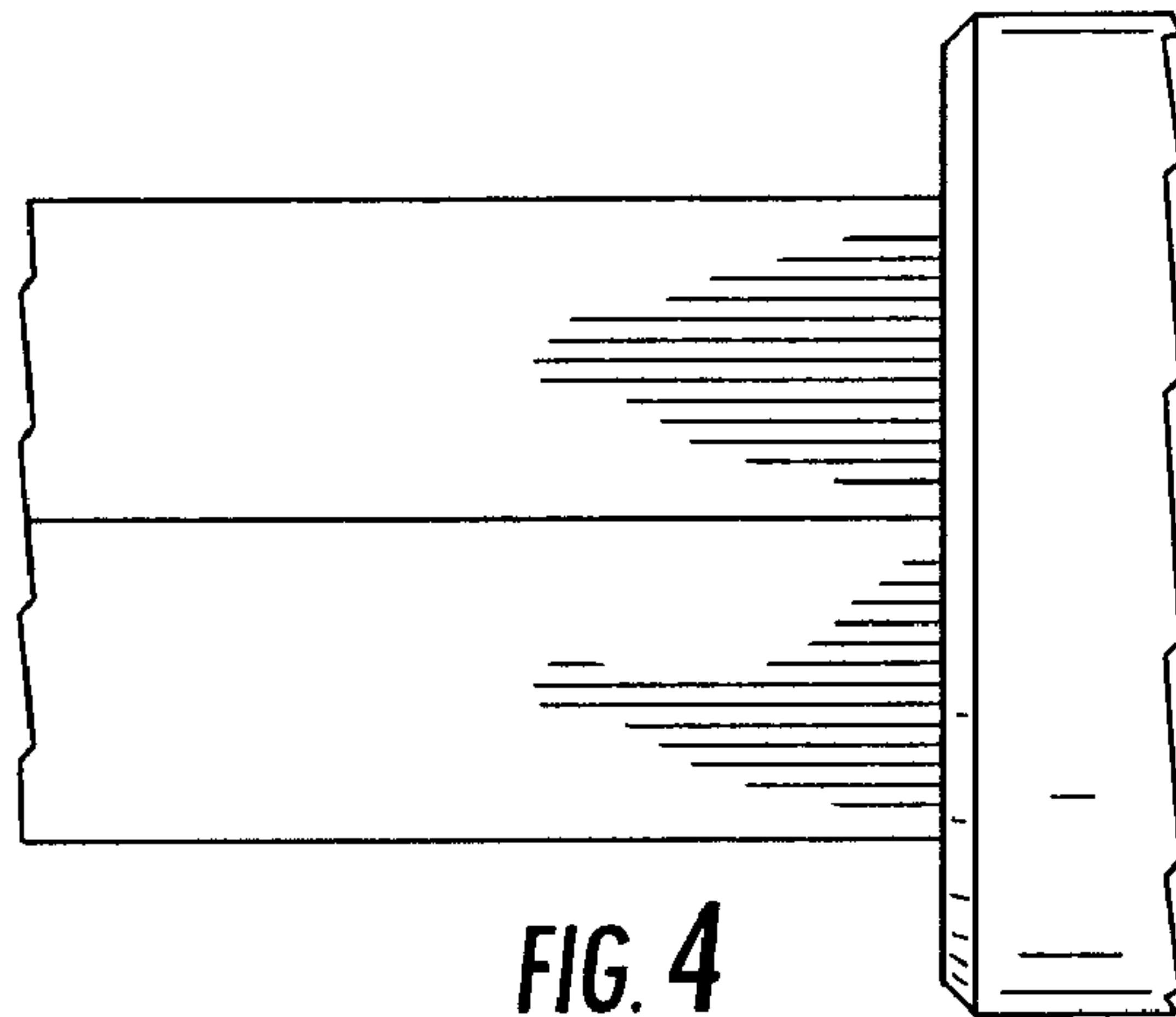


FIG. 4

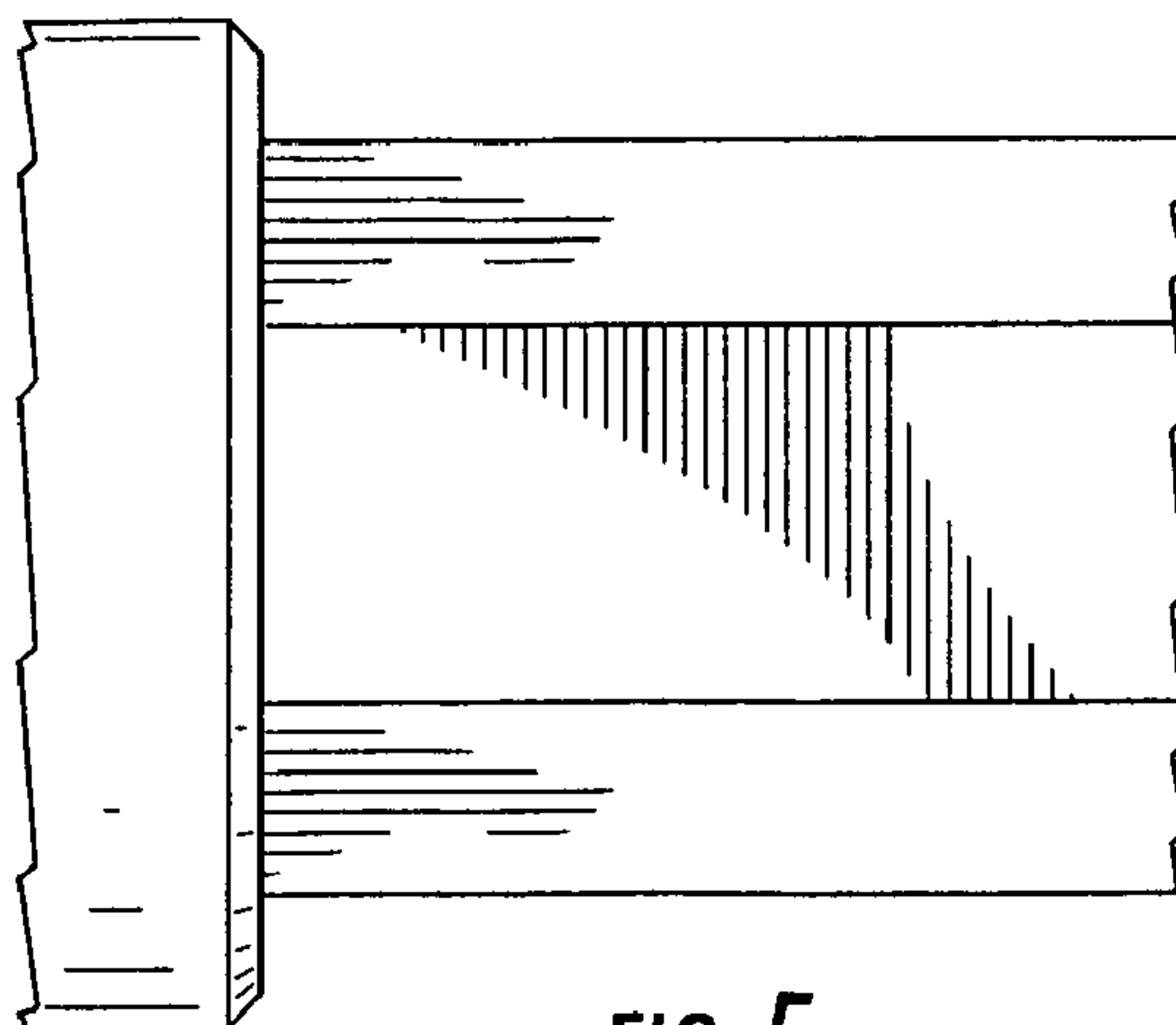


FIG. 5