



US00D581777S

(12) **United States Design Patent**
Huang

(10) **Patent No.:** **US D581,777 S**
(45) **Date of Patent:** **** Dec. 2, 2008**

(54) **TOWER-STYLE LUG NUT COVER**

(75) Inventor: **Nan Huang Huang**, Rancho Palos Verdes, CA (US)

(73) Assignee: **Grand General Accessories Manufacturing**, Rancho Dominguez, CA (US)

(**) Term: **14 Years**

(21) Appl. No.: **29/294,985**

(22) Filed: **Feb. 5, 2008**

(51) **LOC (8) Cl.** **08-08**

(52) **U.S. Cl.** **D8/397**

(58) **Field of Classification Search** D8/382, D8/387, 394, 397-399, 29; 81/121.1; 222/412; 411/81, 88, 90-93, 96-98, 103, 114, 106-108, 411/132-165, 172-189, 337, 338, 366.1-366.3, 411/368, 369, 371.2, 371.5, 418, 427, 429-432, 411/436, 437, 526, 531-538, 542, 544; D12/213
See application file for complete search history.

(56) **References Cited**

U.S. PATENT DOCUMENTS

391,891	A *	10/1888	Fox et al.	16/2.4
573,970	A *	12/1896	Gartside	164/249
1,712,108	A *	5/1929	Goeller	439/431
2,877,817	A *	3/1959	Rockwell	411/106
2,927,807	A *	3/1960	Campbell	285/154.1
3,369,817	A *	2/1968	Bandy et al.	277/637
D223,231	S *	4/1972	Miller	D8/385
3,807,110	A *	4/1974	Kaminski	52/219
4,117,643	A *	10/1978	Lamothe	52/699
4,333,660	A *	6/1982	Cupit	277/630
4,655,479	A *	4/1987	Farr, Jr.	285/18
D292,233	S *	10/1987	Schalle	D25/199
4,818,167	A *	4/1989	Hatsutori	411/386
4,824,305	A *	4/1989	McCauley	411/431
4,934,857	A *	6/1990	Swanson	403/30
4,968,202	A *	11/1990	Lanham	411/431
4,990,043	A *	2/1991	Hafeli et al.	411/280

5,071,300	A *	12/1991	McCauley	411/222
D335,852	S *	5/1993	Carles	D12/160
5,364,213	A *	11/1994	Teramura	411/431
5,380,070	A *	1/1995	FitzGerald	301/37.374
5,590,992	A *	1/1997	Russell	411/431
5,692,419	A *	12/1997	Binns	81/124.3
5,810,532	A *	9/1998	Huang	411/431

(Continued)

FOREIGN PATENT DOCUMENTS

ES 457478-0005 * 10/2005

Primary Examiner—T. Chase Nelson

Assistant Examiner—Karen Acker

(74) *Attorney, Agent, or Firm*—Thomas I. Rozsa

(57) **CLAIM**

The ornamental design for a tower-style lug nut cover, as shown and described.

DESCRIPTION

FIG. 1 is a top perspective view of a tower-style lug nut cover;

FIG. 2 is a front elevational view;

FIG. 3 is a rear elevational view;

FIG. 4 is a right side elevational view when viewed from the right side;

FIG. 5 is a left side elevational View when viewed from the left side;

FIG. 6 is a top plan view;

FIG. 7 is a bottom plan view of the tower-style lug nut cover;

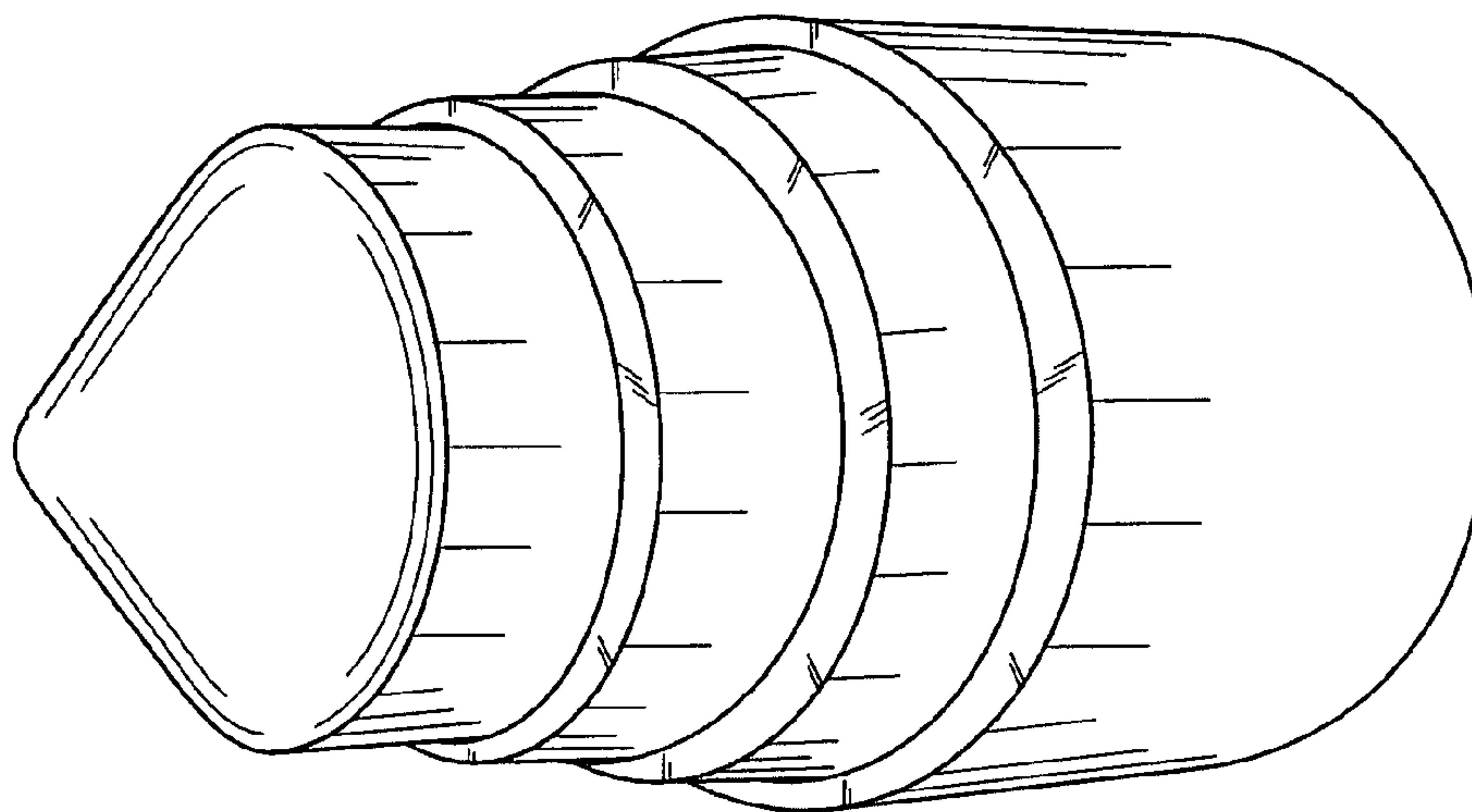
FIG. 8 is a perspective bottom view of FIG. 7;

FIG. 9 is a bottom plan view of the tower-style lug nut cover in an alternate environment of use in which a different unclaimed inner configuration is shown; and,

FIG. 10 is a bottom perspective view of FIG. 9.

The broken lines represent environmental structure and form no part of the claimed design.

1 Claim, 6 Drawing Sheets



US D581,777 S

Page 2

U.S. PATENT DOCUMENTS

5,857,818	A *	1/1999	Bias, Sr.	411/431	D502,925	S *	3/2005	Chung	D13/154
D407,362	S *	3/1999	Schardt	D12/204	D513,380	S *	1/2006	Bruni	D8/397
5,927,921	A *	7/1999	Hukari	411/427	7,172,380	B2 *	2/2007	Lees et al.	411/372.5
D419,120	S *	1/2000	Khaladj et al.	D12/160	7,318,696	B2 *	1/2008	Babey et al.	411/181
D439,213	S *	3/2001	Huang	D12/213	2001/0007628	A1 *	7/2001	Ninomiya et al.	411/180
6,238,158	B1 *	5/2001	Clements	411/431	2002/0021948	A1 *	2/2002	Stumpf et al.	411/180
D460,398	S *	7/2002	Berry et al.	D12/213	2007/0009341	A1 *	1/2007	Nagayama	411/432
6,692,083	B2 *	2/2004	Latham	299/104					

* cited by examiner

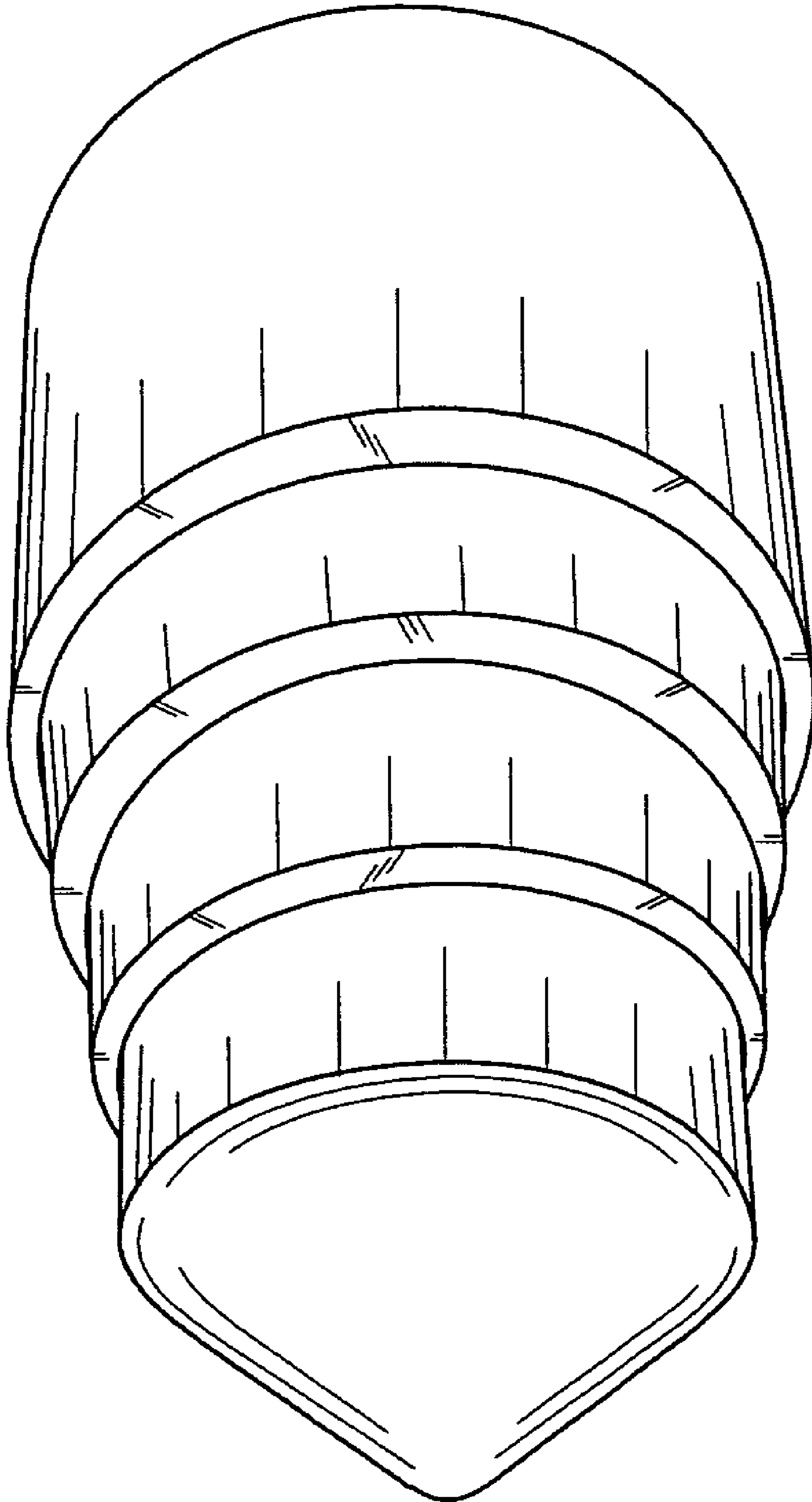


FIG. 1

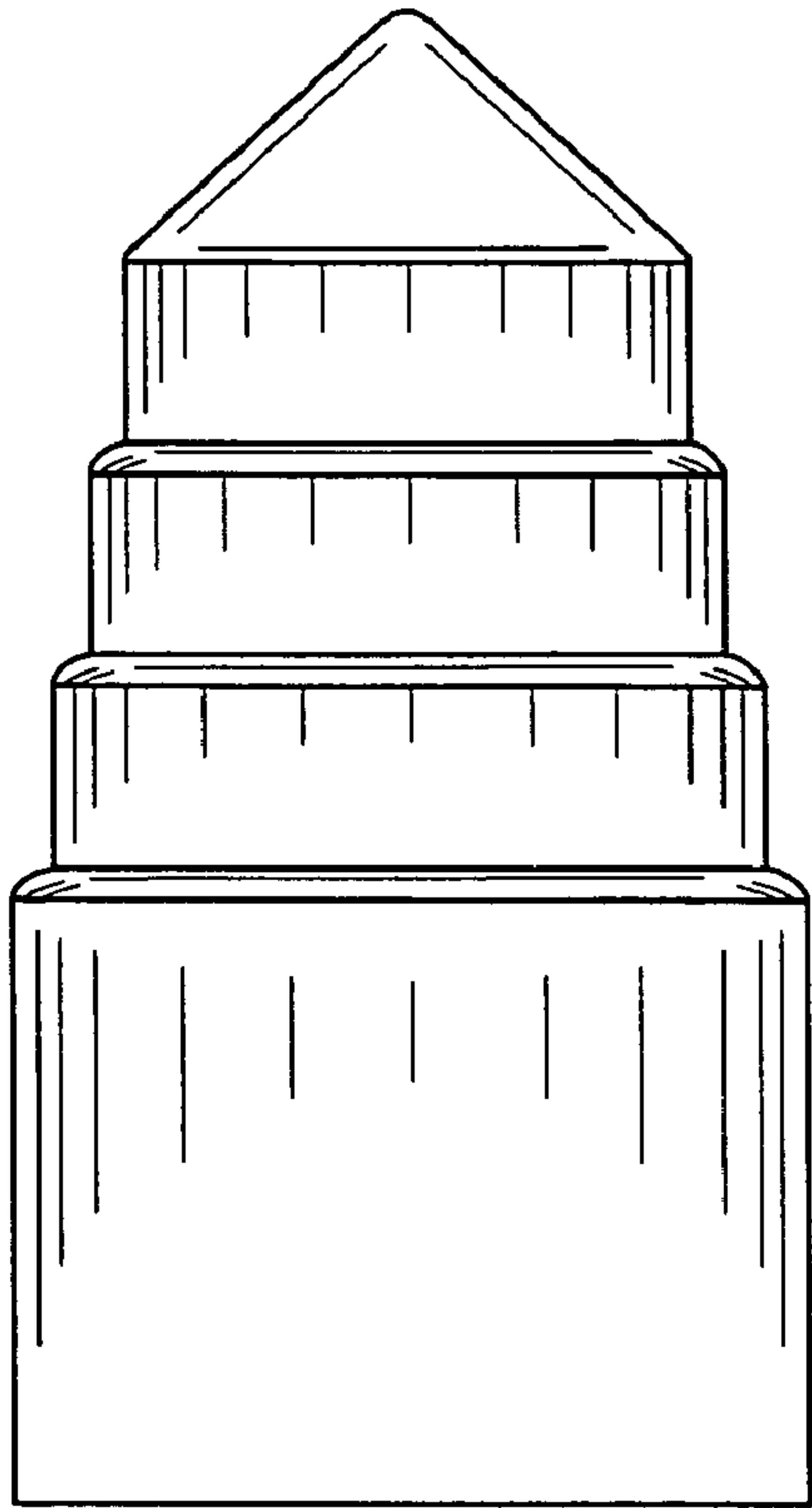


FIG. 2

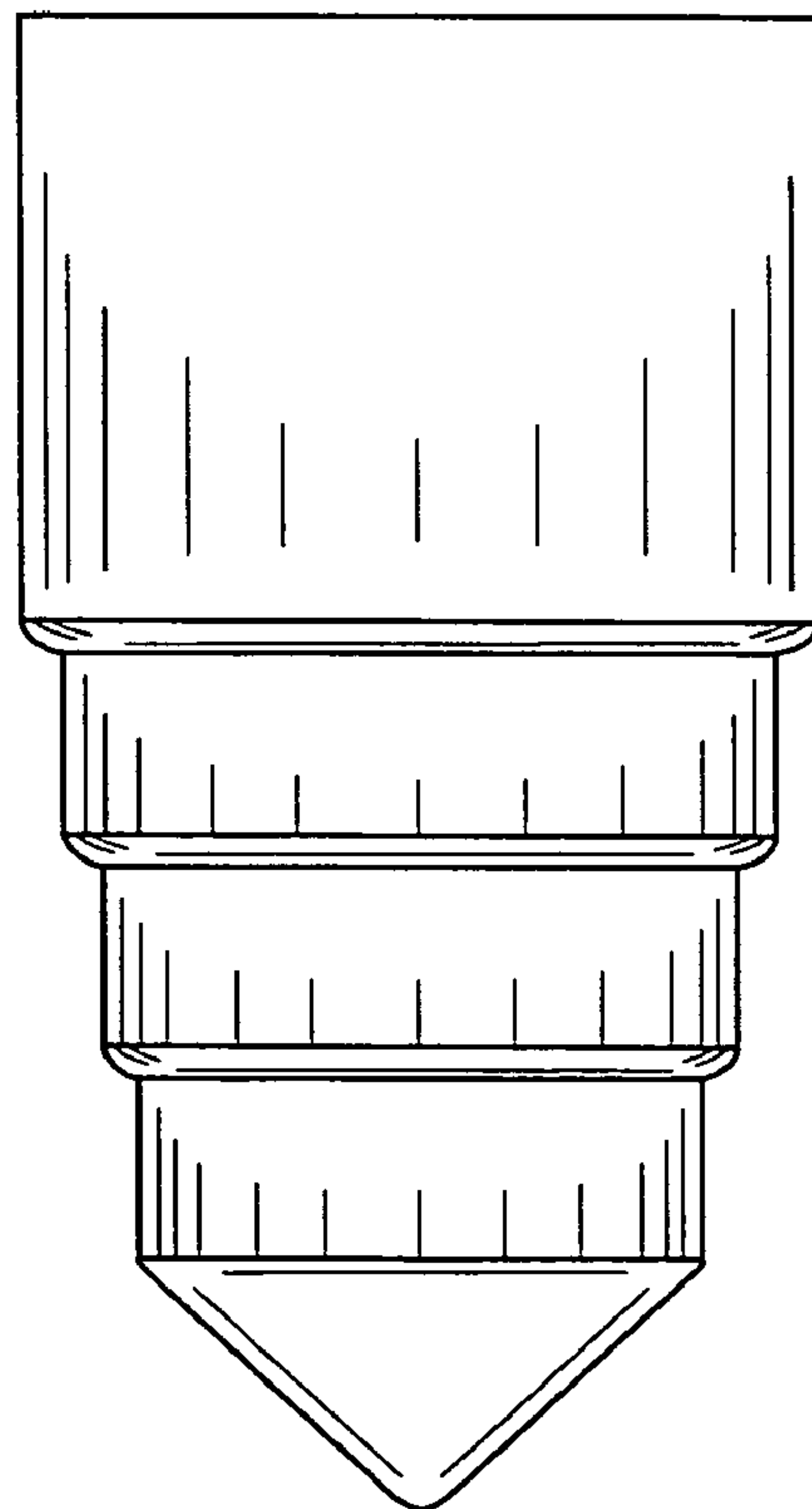


FIG. 3

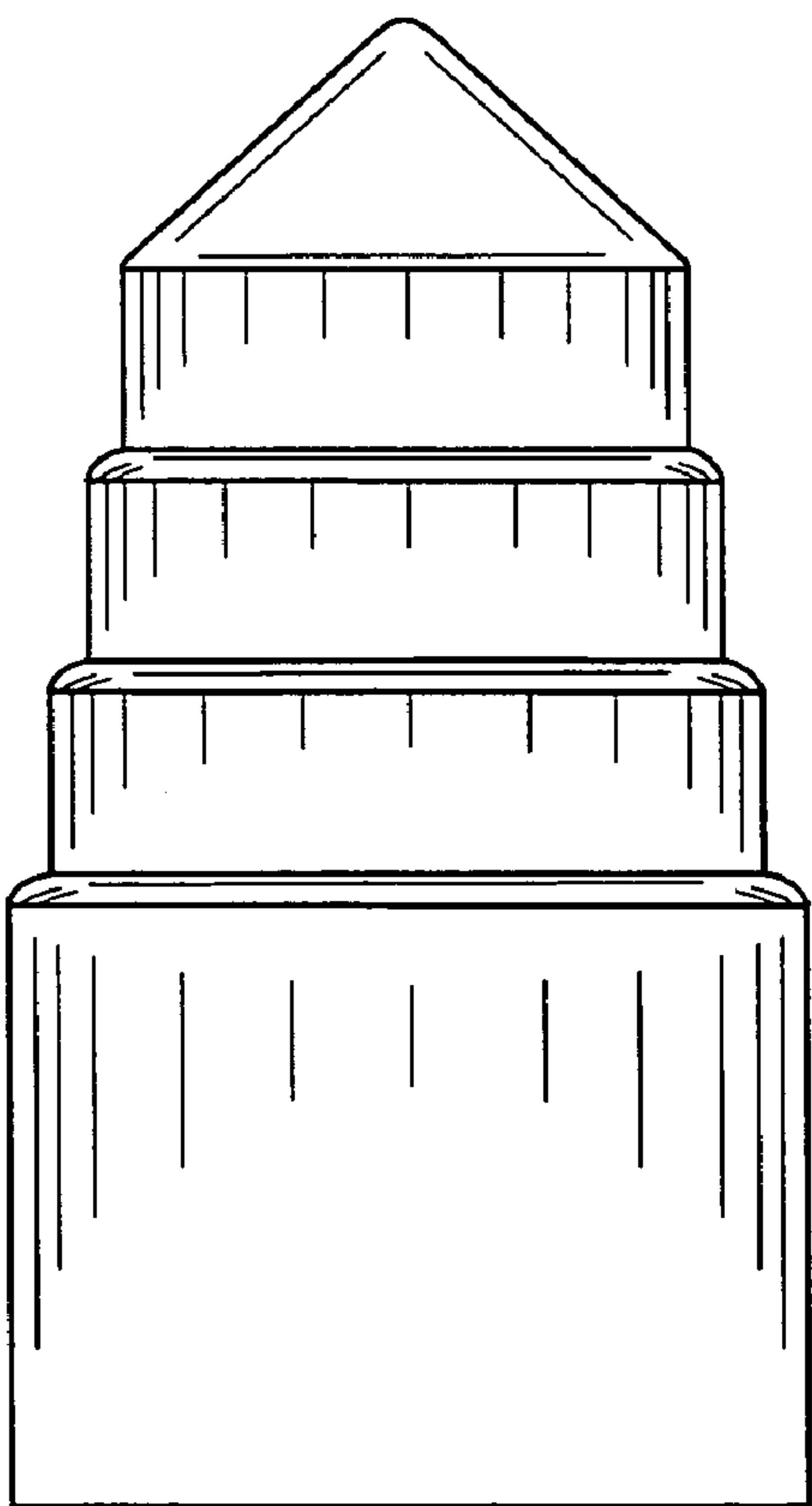


FIG. 4

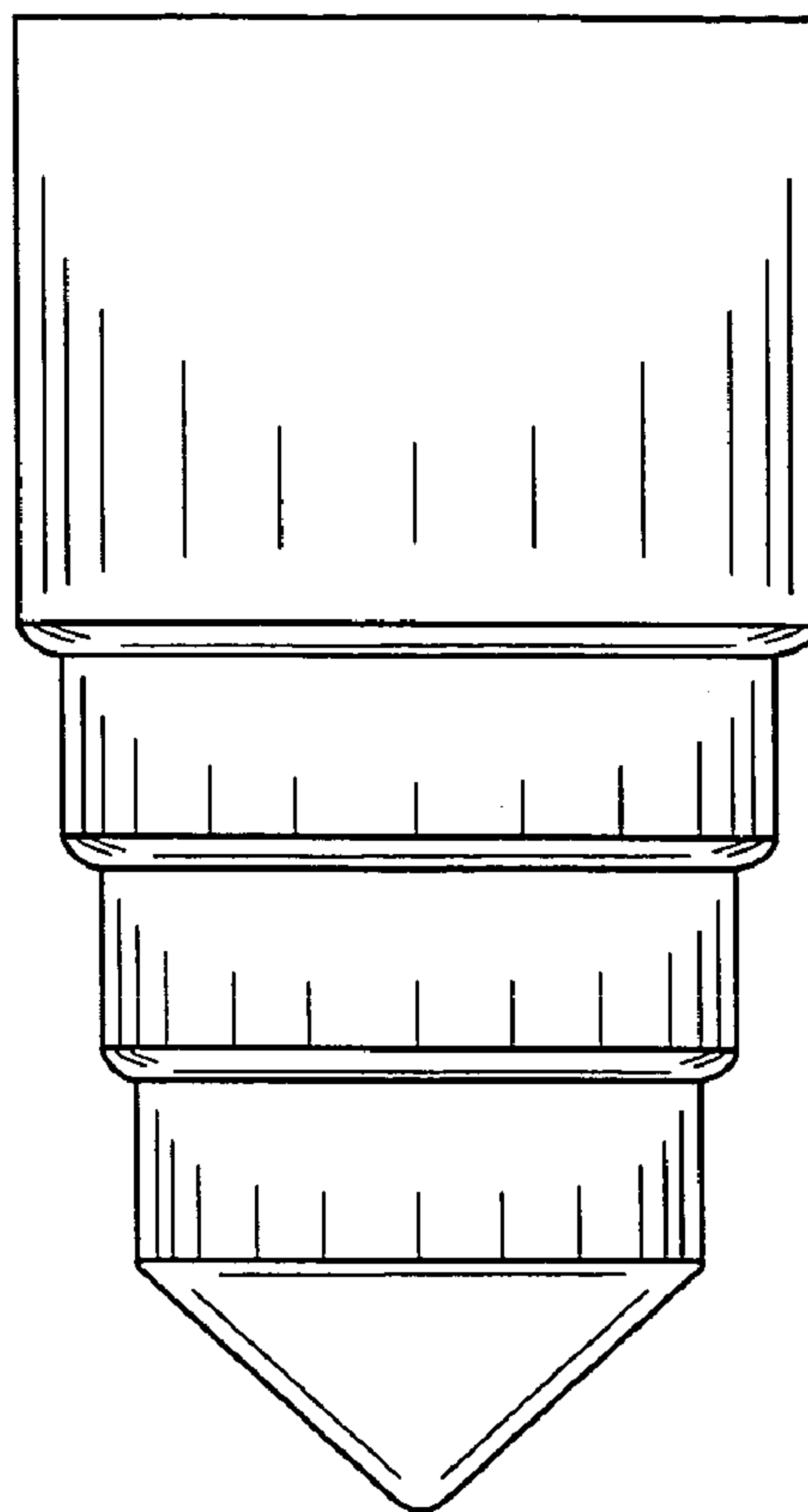


FIG. 5

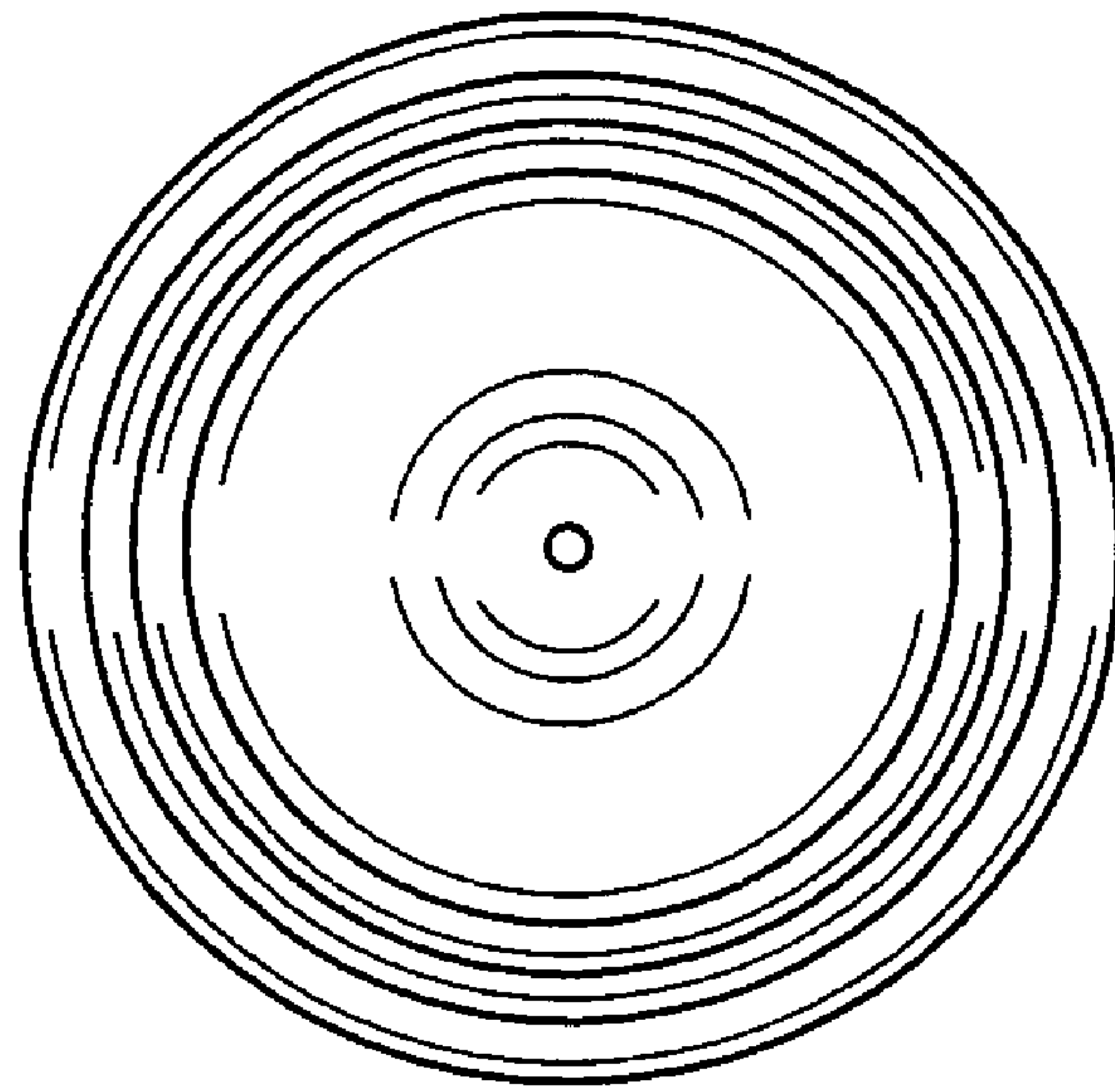


FIG. 6

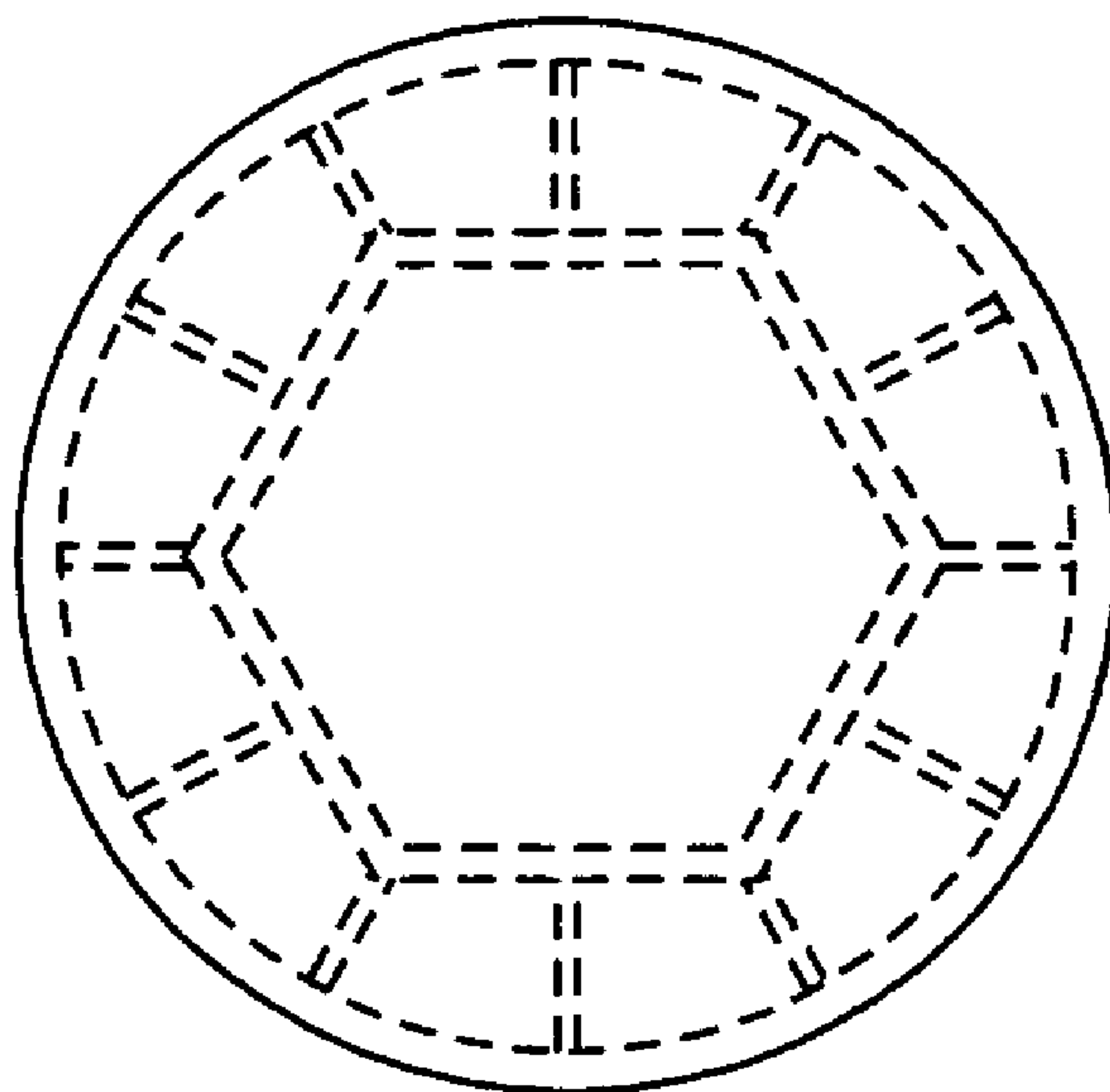


FIG. 7

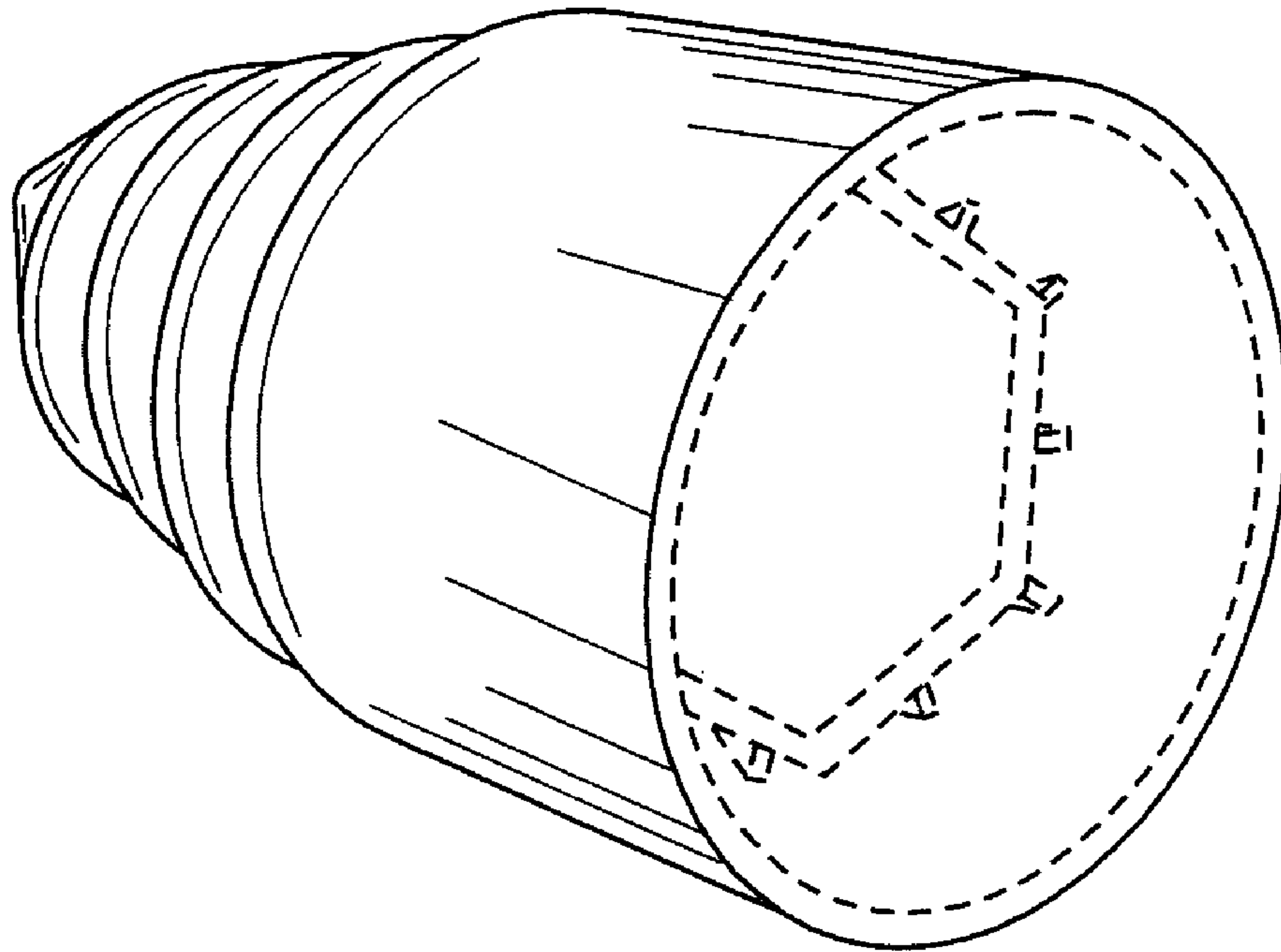


FIG. 8

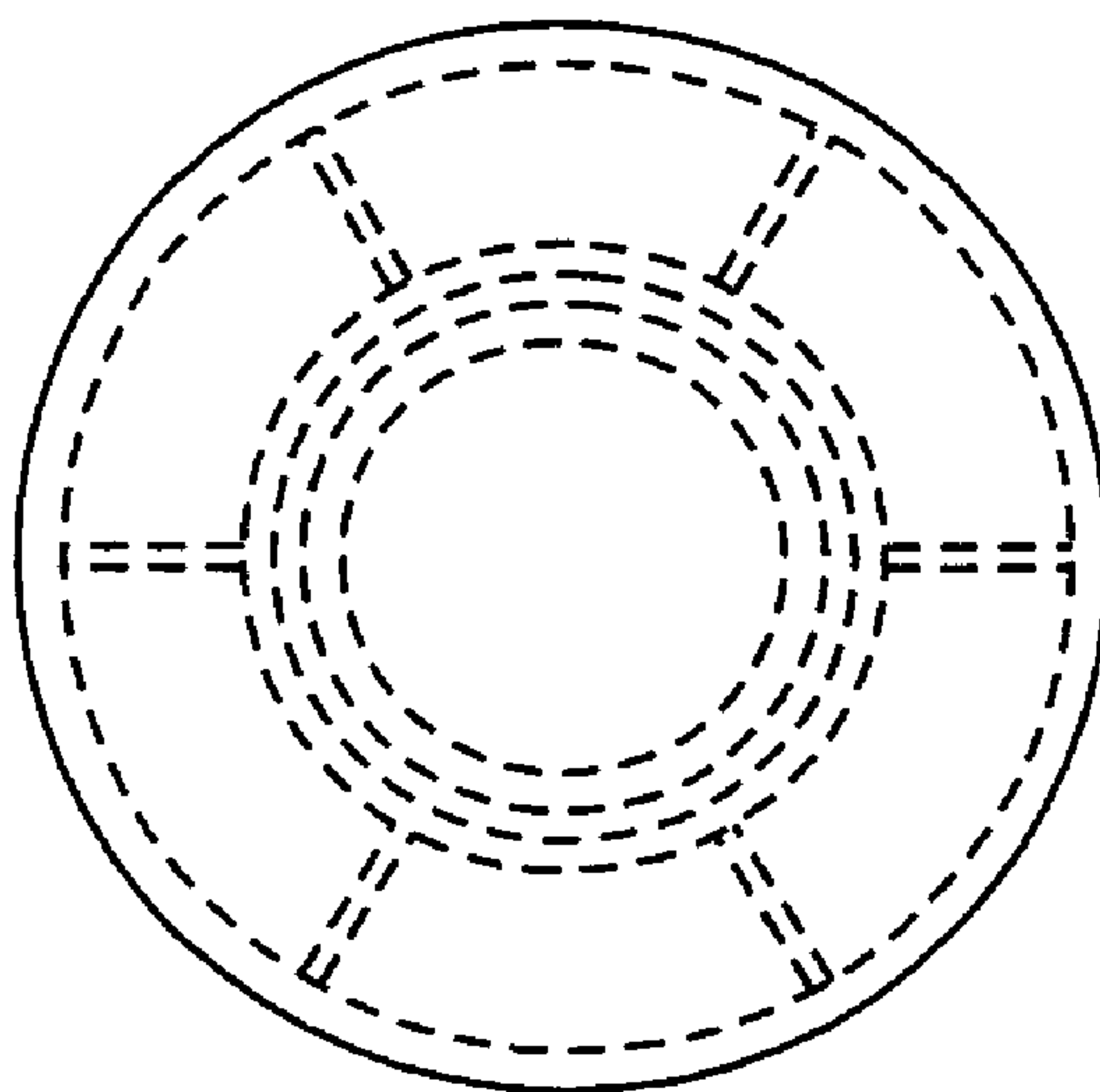


FIG. 9

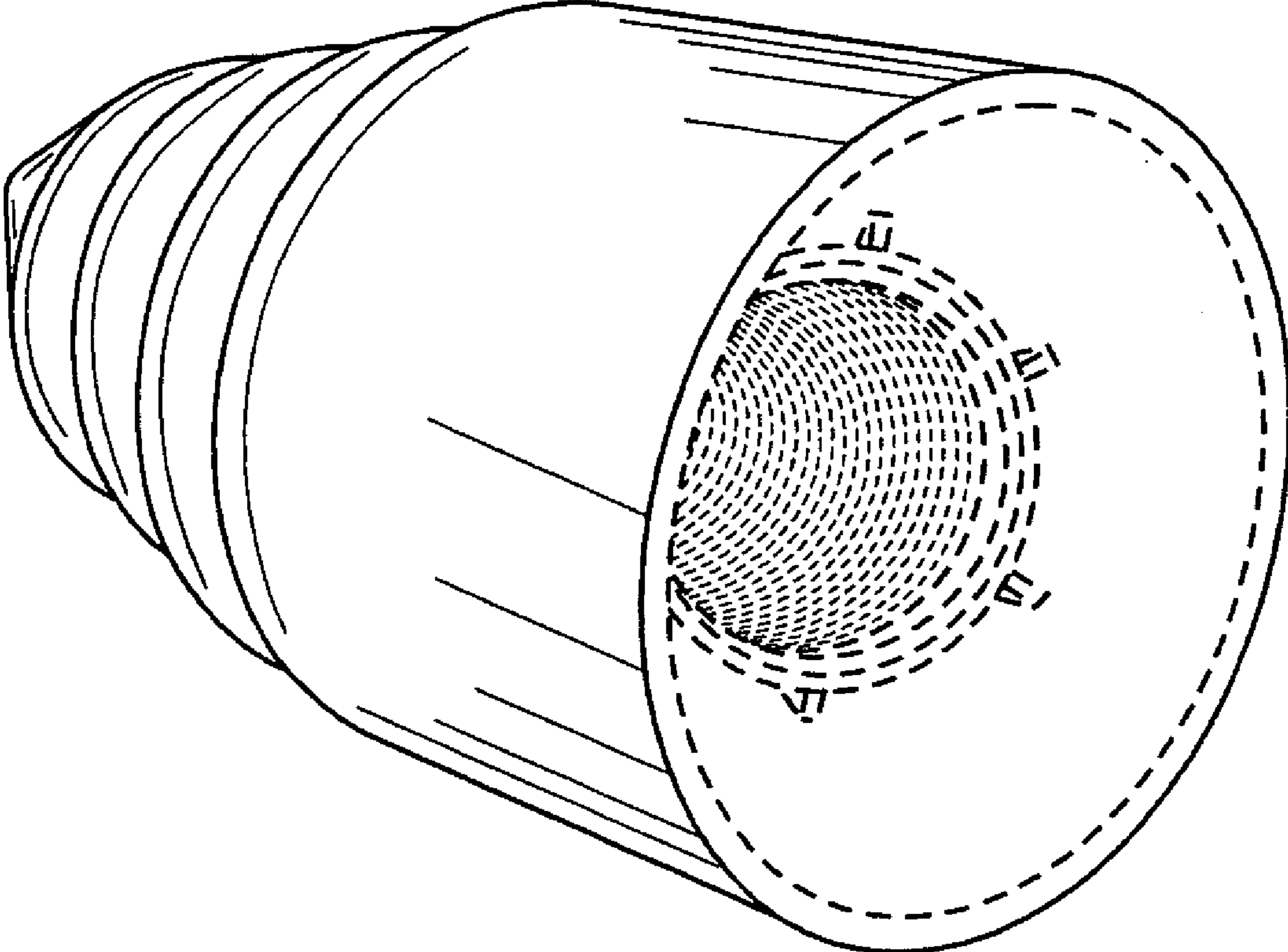


FIG. 10