



US00D581776S

(12) **United States Design Patent**
Yin-Feng

(10) **Patent No.:** **US D581,776 S**
(45) **Date of Patent:** **** Dec. 2, 2008**

(54) **SCREW**

(75) Inventor: **Liu Yin-Feng**, Taipei (TW)

(73) Assignee: **A-Stainless International Co., Ltd.**,
Taipei (TW)

(**) Term: **14 Years**

(21) Appl. No.: **29/290,285**

(22) Filed: **Nov. 15, 2007**

(51) **LOC (8) Cl.** **08-08**

(52) **U.S. Cl.** **D8/387**

(58) **Field of Classification Search** D8/382,
D8/387, 388, 384, 391; 411/402, 403, 405,
411/412, 481, 387.1, 388, 378, 393, 383,
411/411

See application file for complete search history.

(56) **References Cited**

U.S. PATENT DOCUMENTS

D416,475 S * 11/1999 DePrisco D8/387
D469,007 S * 1/2003 Chen et al. D8/387

D531,491 S * 11/2006 Liu D8/387
D557,130 S * 12/2007 Kashikura et al. D8/387
D557,131 S * 12/2007 Liu D8/387
D567,644 S * 4/2008 Liu D8/387

* cited by examiner

Primary Examiner—Holly H. Baynham

Assistant Examiner—Sheryl Lane

(74) *Attorney, Agent, or Firm*—Troxell Law Office, PLLC

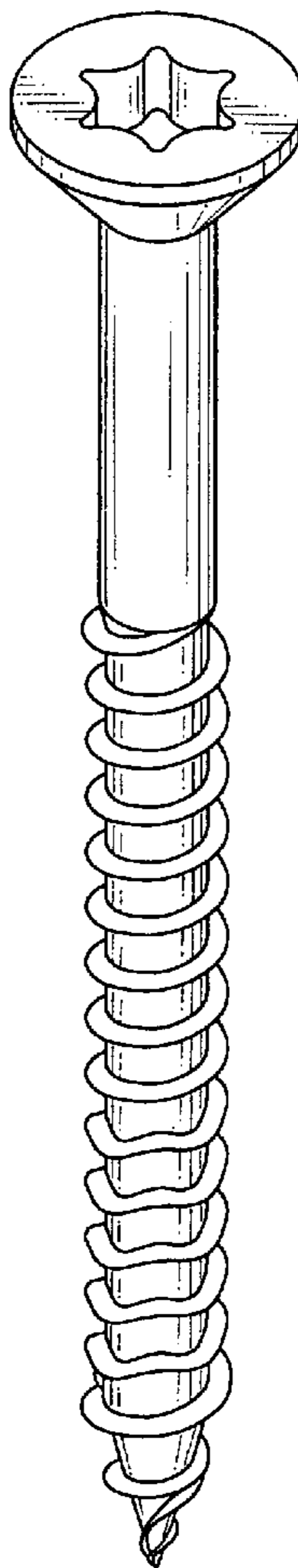
(57) **CLAIM**

The ornamental design for a screw, as shown and described.

DESCRIPTION

FIG. 1 is a perspective view of screw showing my new design;
FIG. 2 is a front elevation view thereof;
FIG. 3 is a rear elevation view thereof;
FIG. 4 is a left side elevation view thereof;
FIG. 5 is a right side elevation view thereof;
FIG. 6 is a top plan view thereof; and,
FIG. 7 is a bottom plan view thereof.

1 Claim, 3 Drawing Sheets



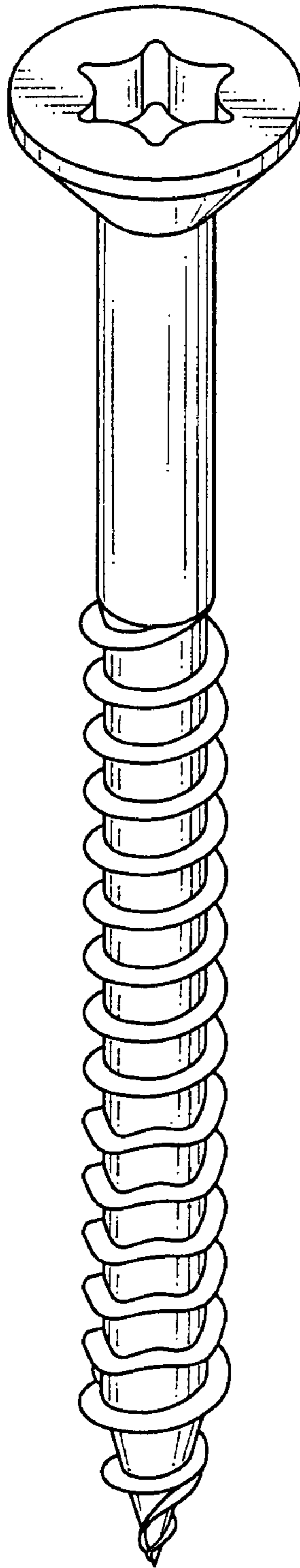


FIG. 1

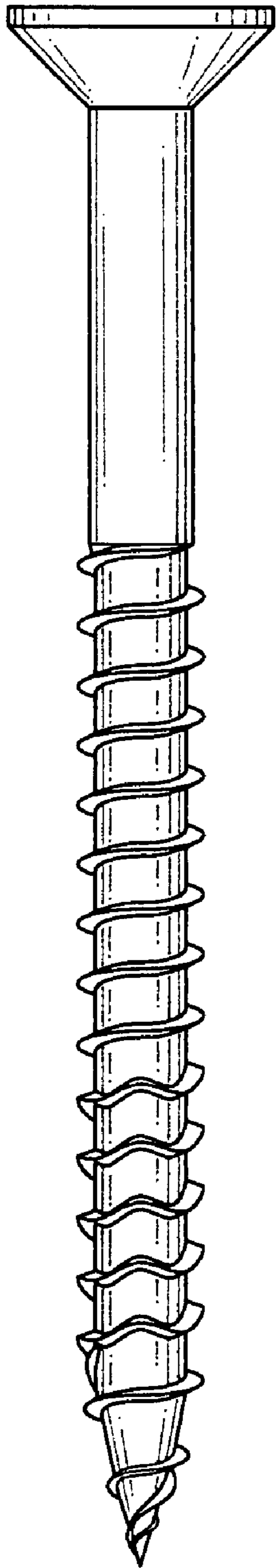


FIG. 2

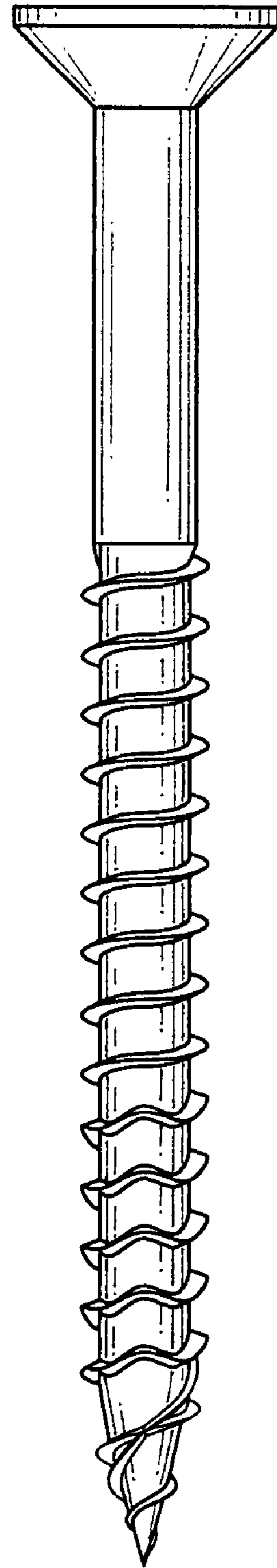


FIG. 3

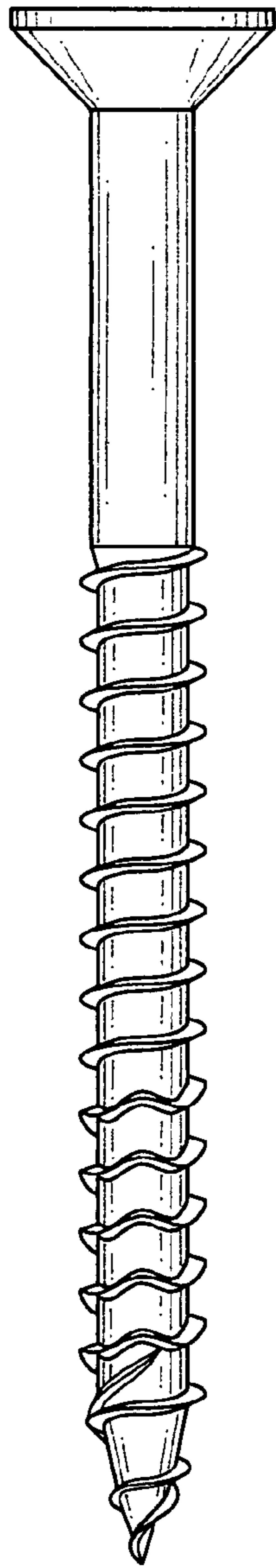


FIG. 4

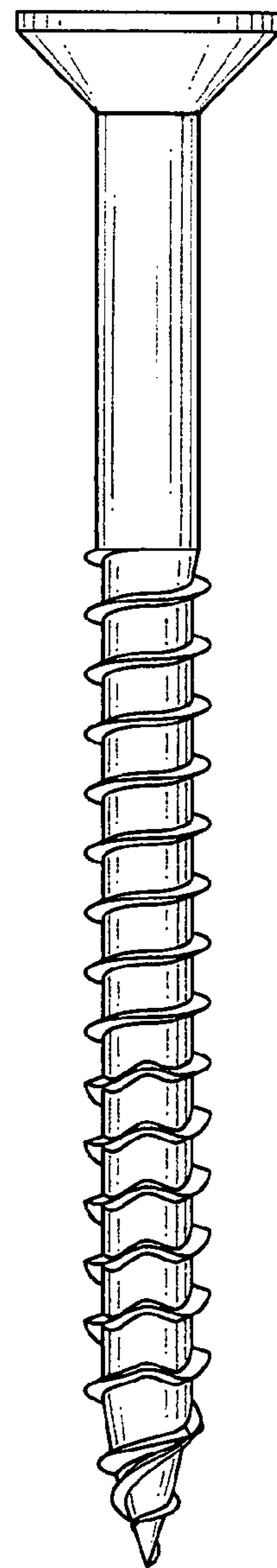


FIG. 5

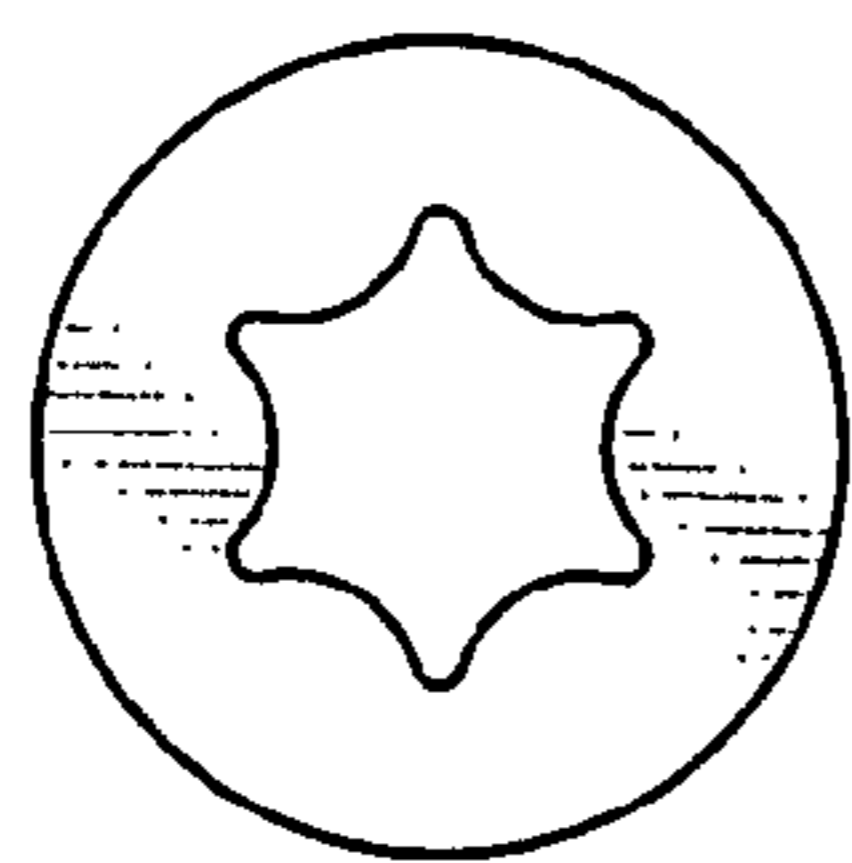


FIG. 6

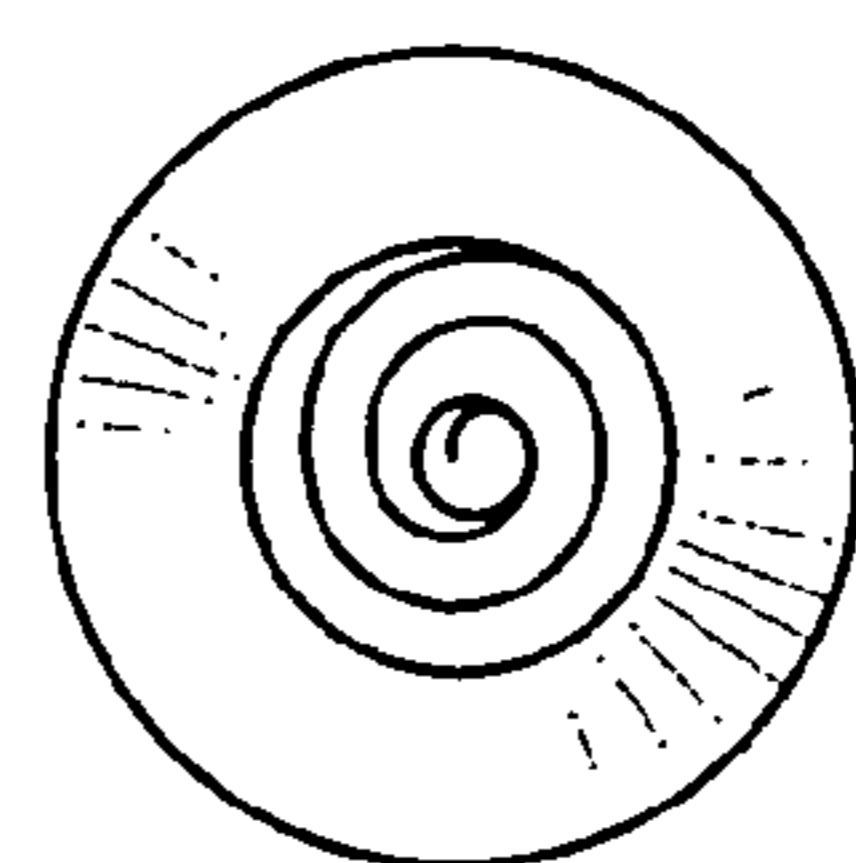


FIG. 7