



US00D581773S

(12) **United States Design Patent**  
**Meres et al.**

(10) **Patent No.:** **US D581,773 S**

(45) **Date of Patent:** **\*\* Dec. 2, 2008**

(54) **FASTENER**

(75) Inventors: **Oskar Meres**, Vallensbæk Strand (DK);  
**Michael Bjørn Hansen**, Hvidovre (DK)

(73) Assignee: **Rockwool International A/S**,  
Hedehusene (DK)

(\*\*) Term: **14 Years**

(21) Appl. No.: **29/281,615**

(22) Filed: **Jun. 27, 2007**

(30) **Foreign Application Priority Data**

Dec. 27, 2006 (EM) ..... 000646922-0001

(51) **LOC (8) Cl.** ..... **08-08**

(52) **U.S. Cl.** ..... **D8/382**

(58) **Field of Classification Search** ..... D8/382,  
D8/354, 394, 396; 52/489.2, 509, 712, 714,  
52/715, 716, 38, 39

See application file for complete search history.

(56) **References Cited**

**U.S. PATENT DOCUMENTS**

4,176,682 A \* 12/1979 Diehl ..... 137/533.11

\* cited by examiner

*Primary Examiner*—Holly H Baynham

*Assistant Examiner*—Sheryl Lane

(74) *Attorney, Agent, or Firm*—McAndrews, Held & Malloy,  
Ltd.

(57) **CLAIM**

We claim the ornamental design for a fastener, as shown and described.

**DESCRIPTION**

FIG. 1 is a front perspective view of the new design for a fastener;

FIG. 2 is a front view thereof;

FIG. 3 is a rear view thereof;

FIG. 4 is a plan view thereof;

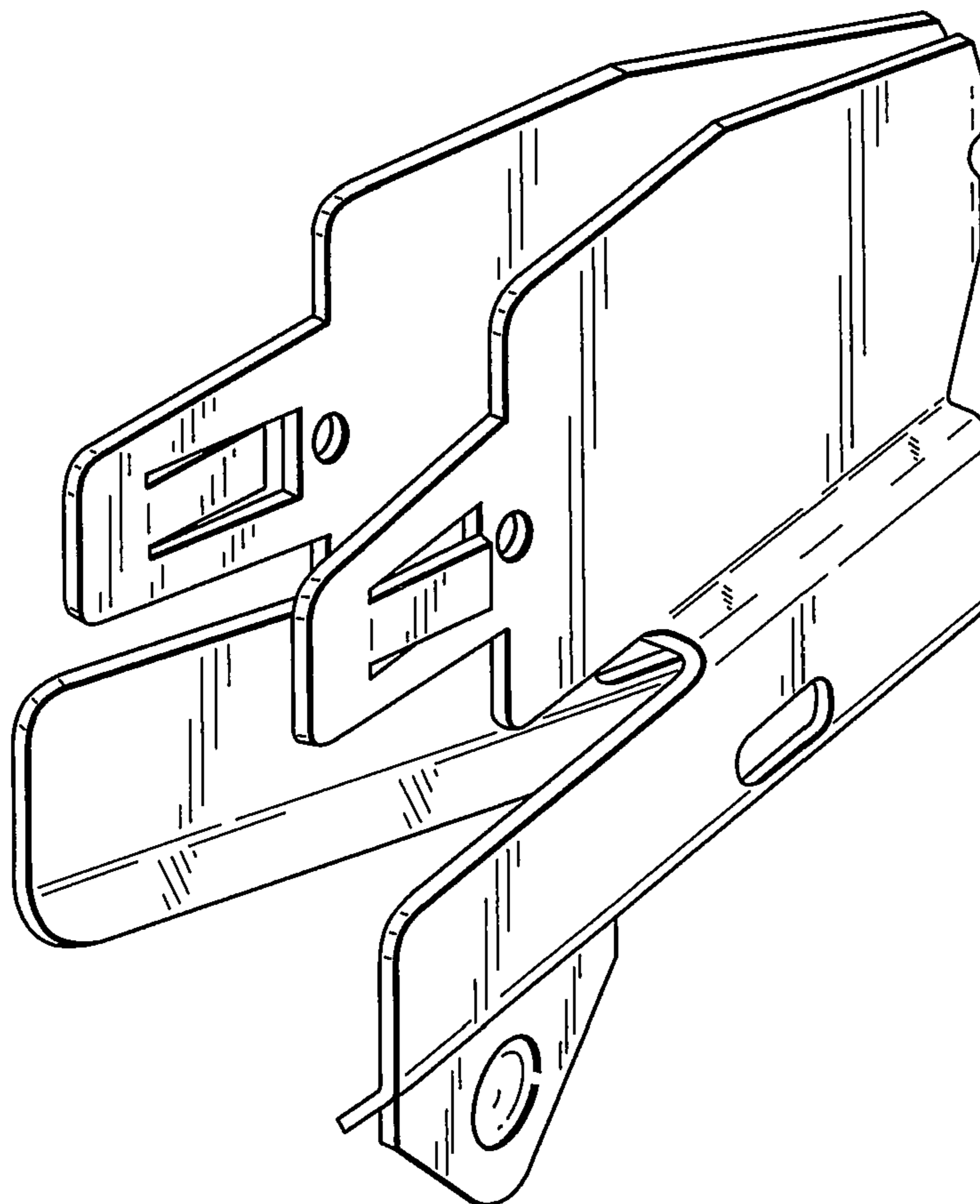
FIG. 5 is a bottom plan view thereof;

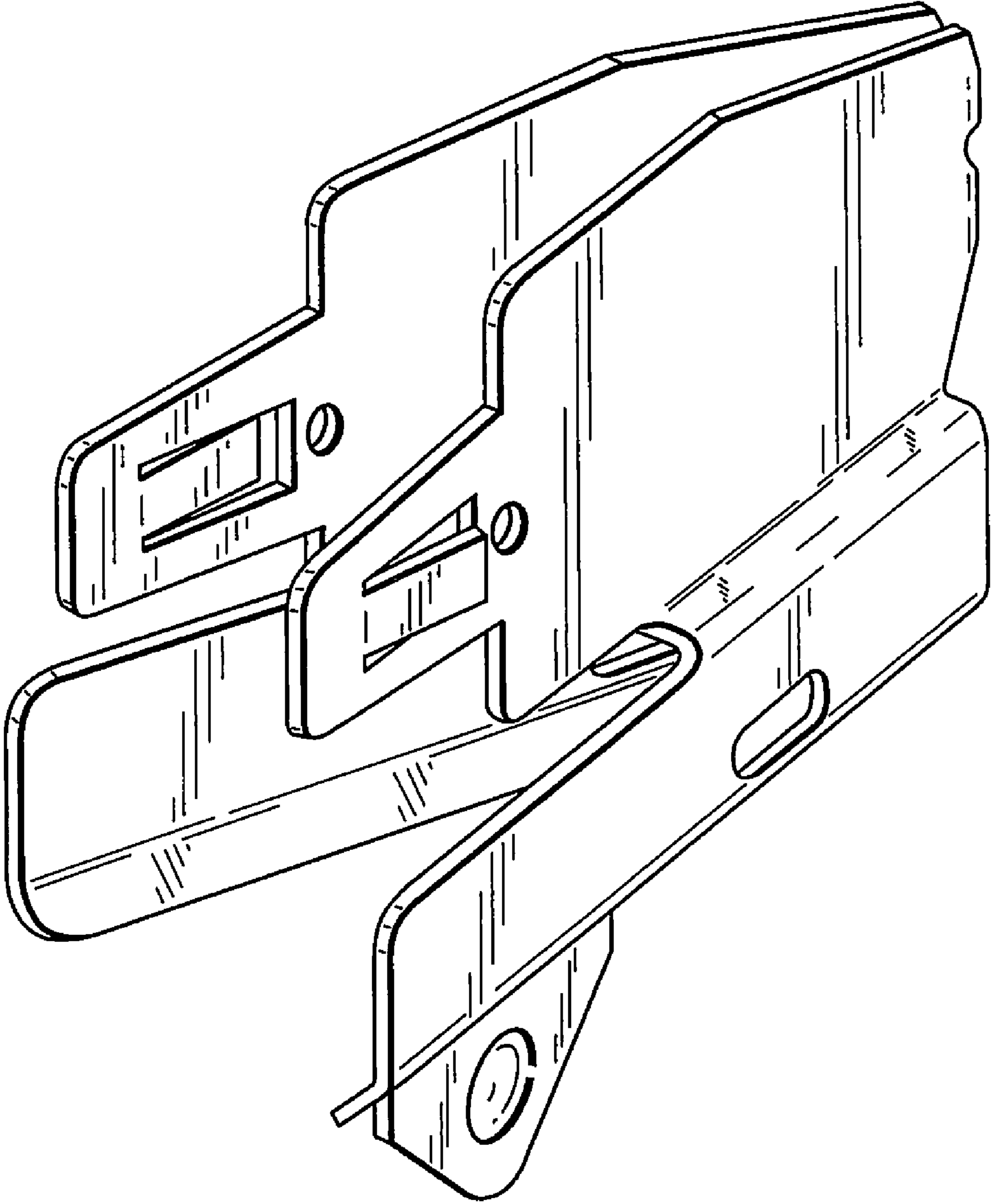
FIG. 6 is a left view thereof; and,

FIG. 7 is a right view thereof.

The stippling is used to indicate the surface of the material from which the fastening device is made, and is not intended to indicate surface decoration.

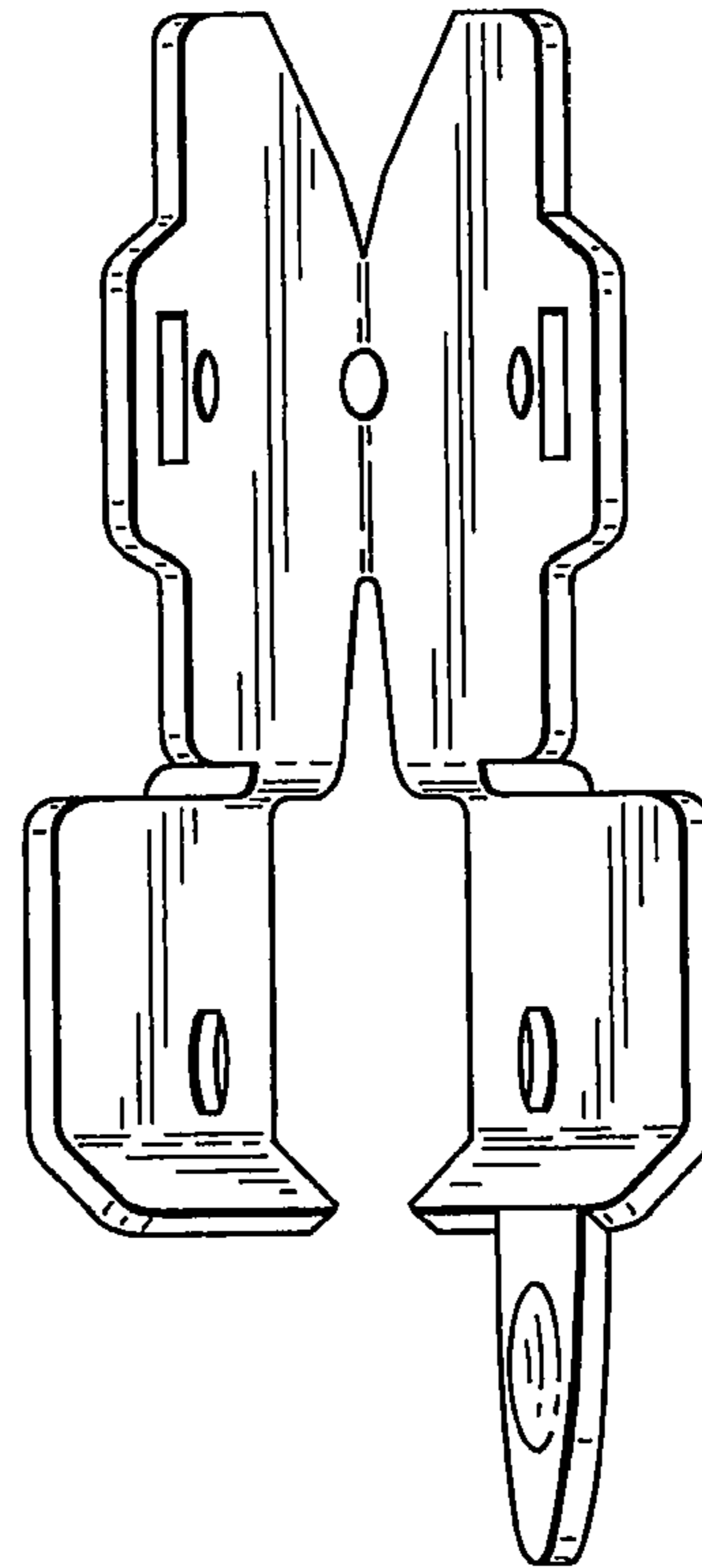
**1 Claim, 4 Drawing Sheets**



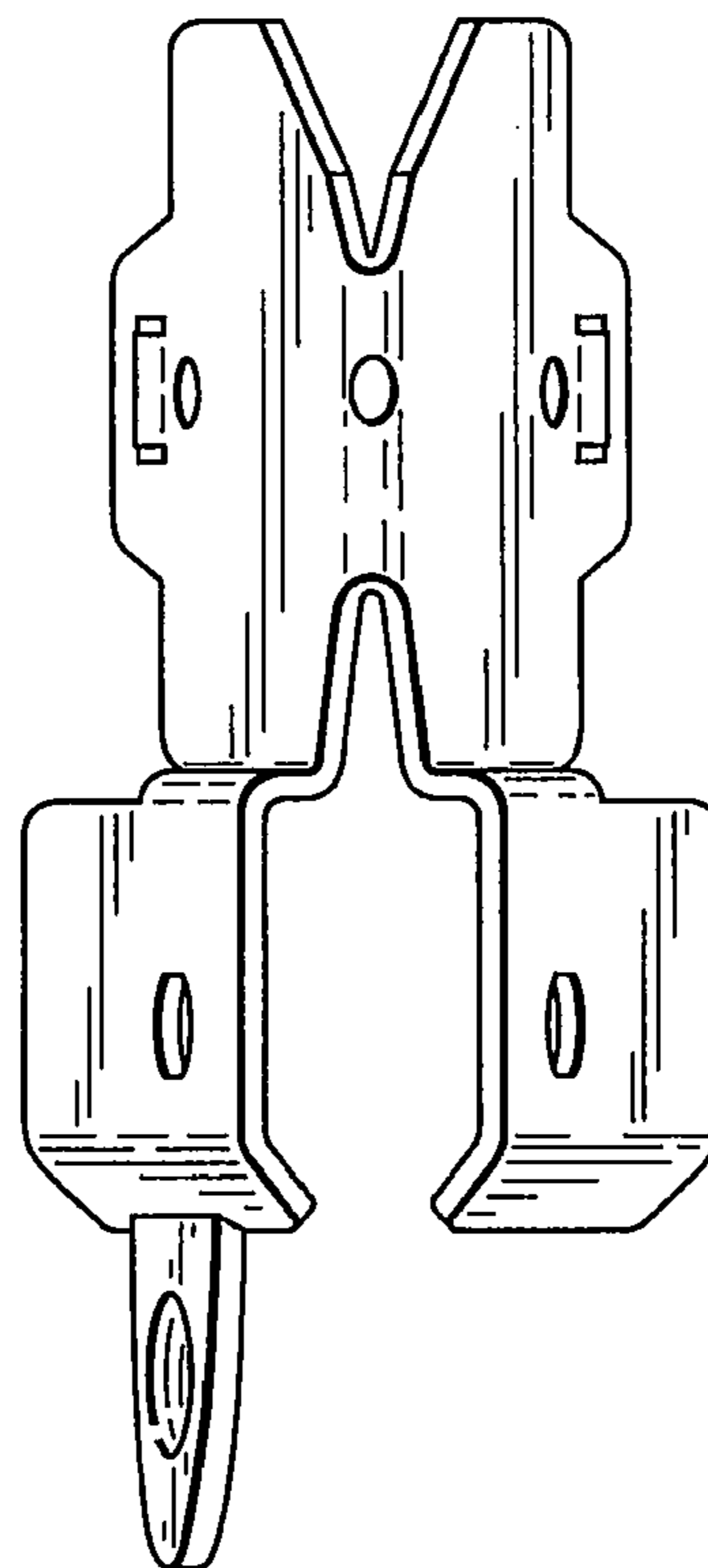


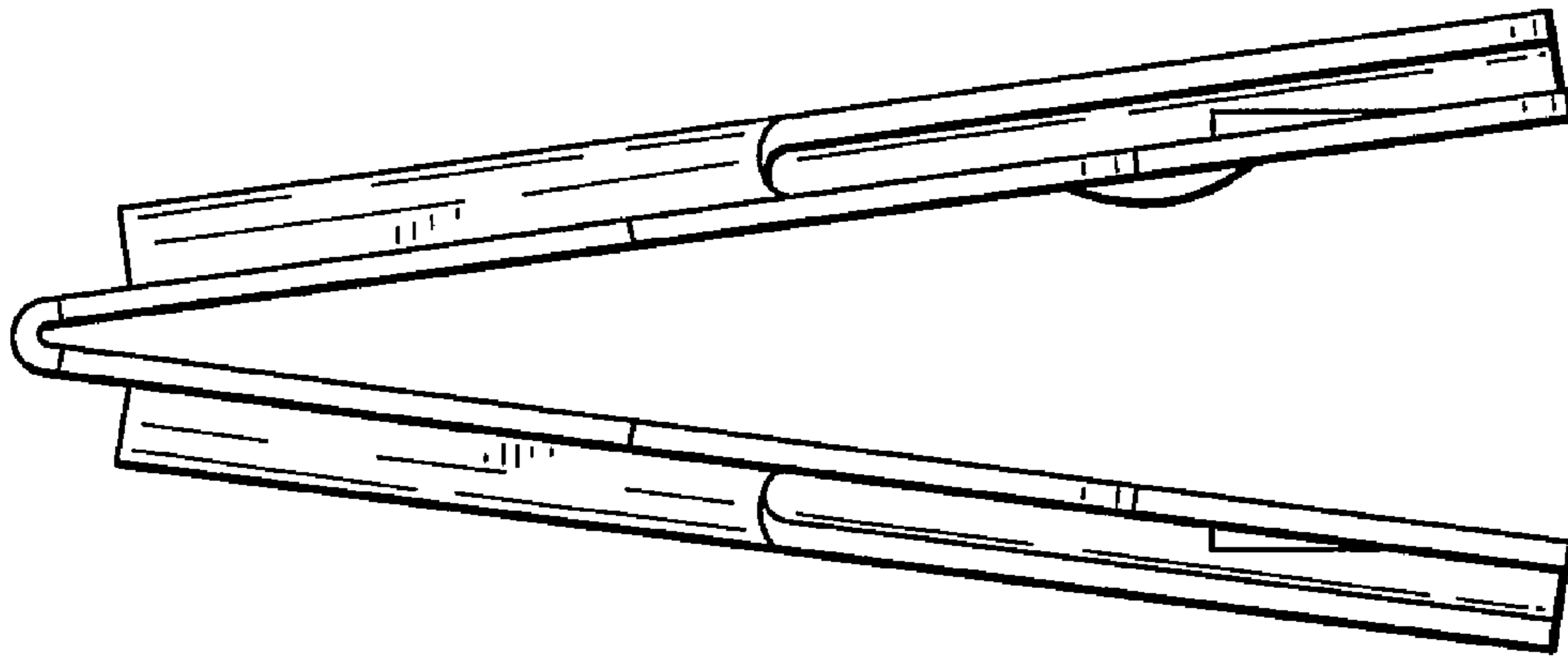
**Figure 1**

**Figure 2**

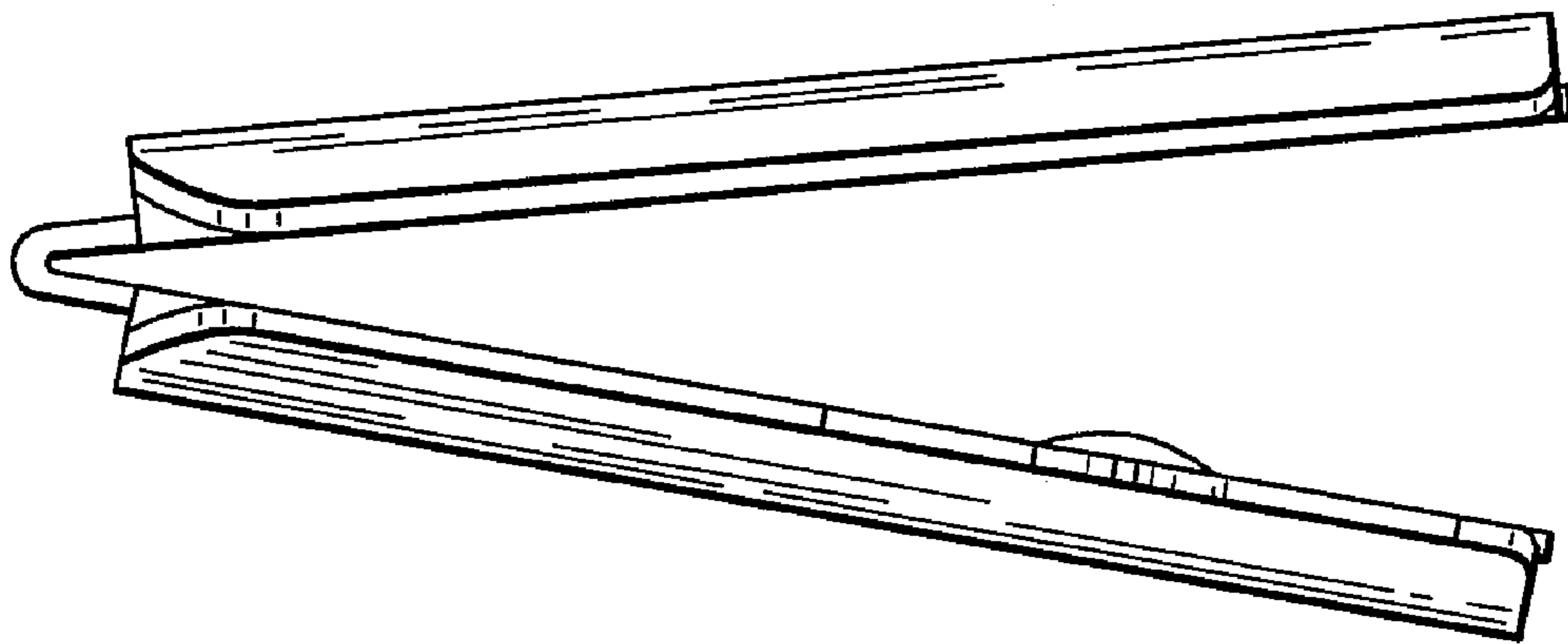


**Figure 3**

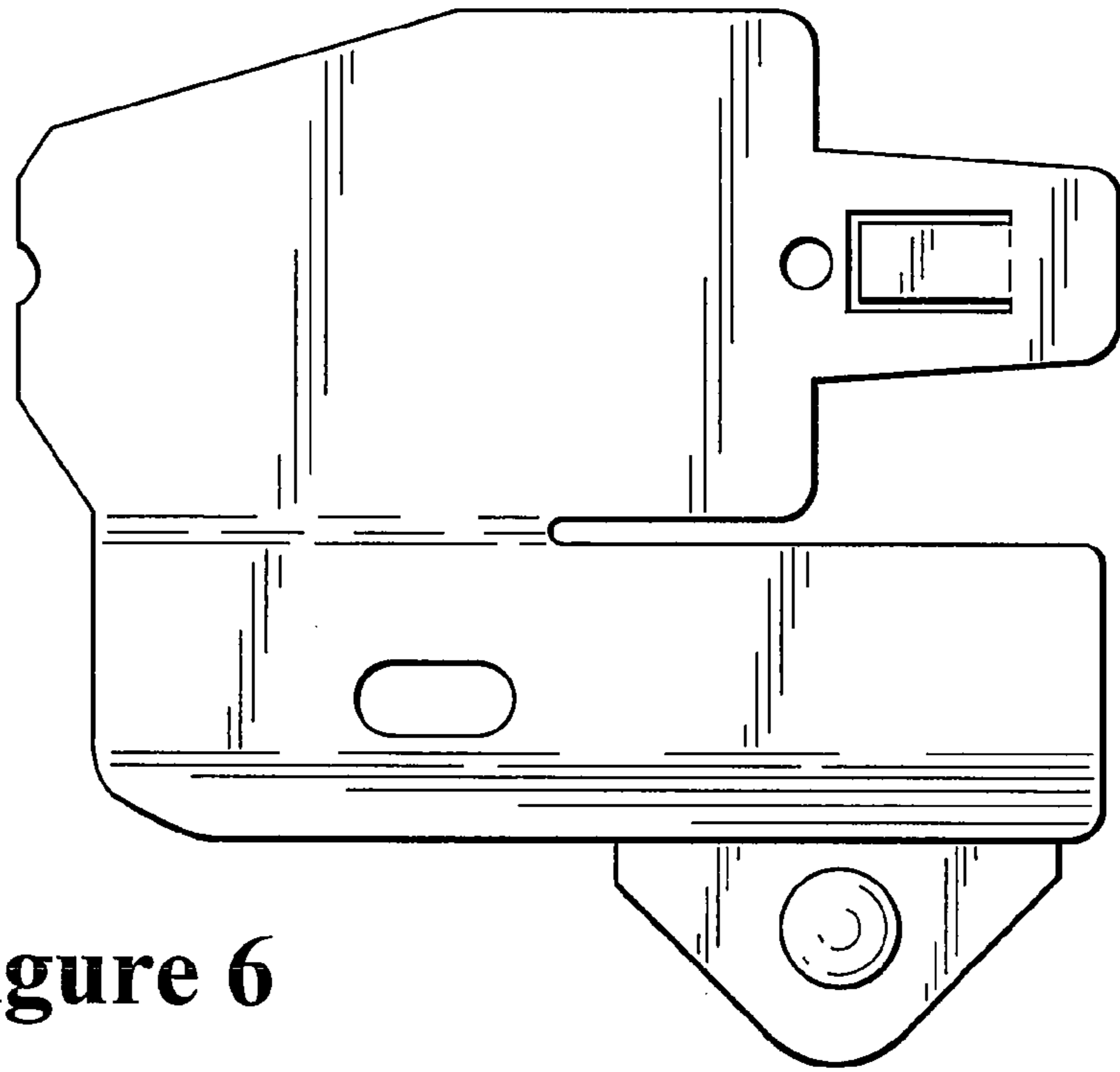




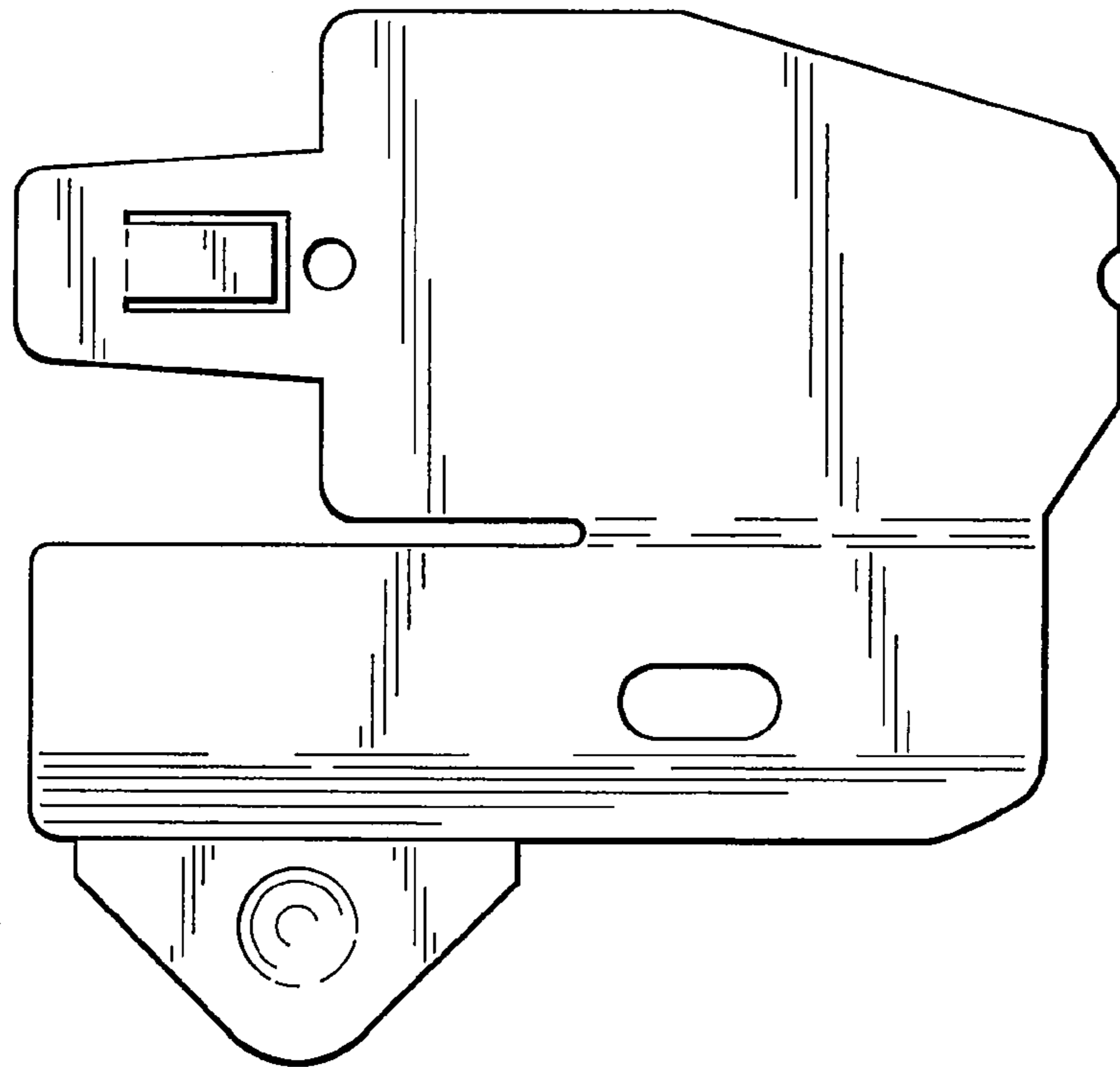
**Figure 4**



**Figure 5**



**Figure 6**



**Figure 7**