



US00D581770S

(12) **United States Design Patent**  
**Choi**

(10) **Patent No.:** **US D581,770 S**  
(45) **Date of Patent:** **\*\* Dec. 2, 2008**

(54) **DRAPERY CONNECTOR**

(76) Inventor: **Sam Choi**, 1411 N. Grand Ave., Suite  
200, Covina, CA (US) 91724

(\*\*) Term: **14 Years**

(21) Appl. No.: **29/307,298**

(22) Filed: **Apr. 12, 2008**

(51) **LOC (8) Cl.** ..... **08-08**

(52) **U.S. Cl.** ..... **D8/356**

(58) **Field of Classification Search** ..... D8/105,  
D8/107, 333, 349, 354, 356, 358, 367, 373,  
D8/382, 383, 394-396, 400; 24/18, 197,  
24/561; 174/153 G, 650, 656; 242/400.1,  
242/405.1, 405.2, 600, 603; 248/65, 74.1-74.4,  
248/201, 214, 215, 229.26, 302, 304, 316.7,  
248/316.8; 439/367, 369, 371, 472, 501,  
439/535; D6/580

See application file for complete search history.

(56) **References Cited**

**U.S. PATENT DOCUMENTS**

D256,987 S *	9/1980	Miki	.....	D8/367
D256,988 S *	9/1980	Miki	.....	D8/367
D281,838 S *	12/1985	Thompson	.....	D6/323
D316,663 S *	5/1991	Scherrer	.....	D8/354
5,141,187 A *	8/1992	Sherman	.....	248/74.4
D341,191 S *	11/1993	Klose	.....	D23/263
D407,789 S *	4/1999	Holmberg et al.	.....	D22/112
D420,894 S *	2/2000	Wang	.....	D8/382
D430,999 S *	9/2000	Lodi	.....	D8/354
D454,295 S *	3/2002	Hallgrimsson	.....	D8/382
D464,557 S *	10/2002	Alejandro	.....	D8/349
D476,551 S *	7/2003	Bentley	.....	D8/356
D477,527 S *	7/2003	Bradford	.....	D8/382
D492,893 S *	7/2004	Oddsens et al.	.....	D8/373

D503,333 S *	3/2005	Ledingham	.....	D8/394
D521,854 S *	5/2006	Wolfberg	.....	D8/383
7,040,604 B2 *	5/2006	Ryals et al.	.....	254/134.3 FT
D523,729 S *	6/2006	Gorst	.....	D8/333
7,098,401 B1 *	8/2006	Herald et al.	.....	174/652
D529,794 S *	10/2006	Murray	.....	D8/396
D543,835 S *	6/2007	Geiger	.....	D8/354
D553,956 S *	10/2007	Jones et al.	.....	D8/355
D561,017 S *	2/2008	Carney	.....	D8/382
D567,071 S *	4/2008	Carney	.....	D8/382
D569,230 S *	5/2008	Terada et al.	.....	D8/354

\* cited by examiner

*Primary Examiner*—T. Chase Nelson

*Assistant Examiner*—Karen Acker

(74) *Attorney, Agent, or Firm*—Clement Cheney

(57) **CLAIM**

The ornamental design for a drapery connector, as shown and described.

**DESCRIPTION**

FIG. 1 is a perspective view of the drapery connector.

FIG. 2 is a front elevational view thereof.

FIG. 3 is a rear elevational view thereof.

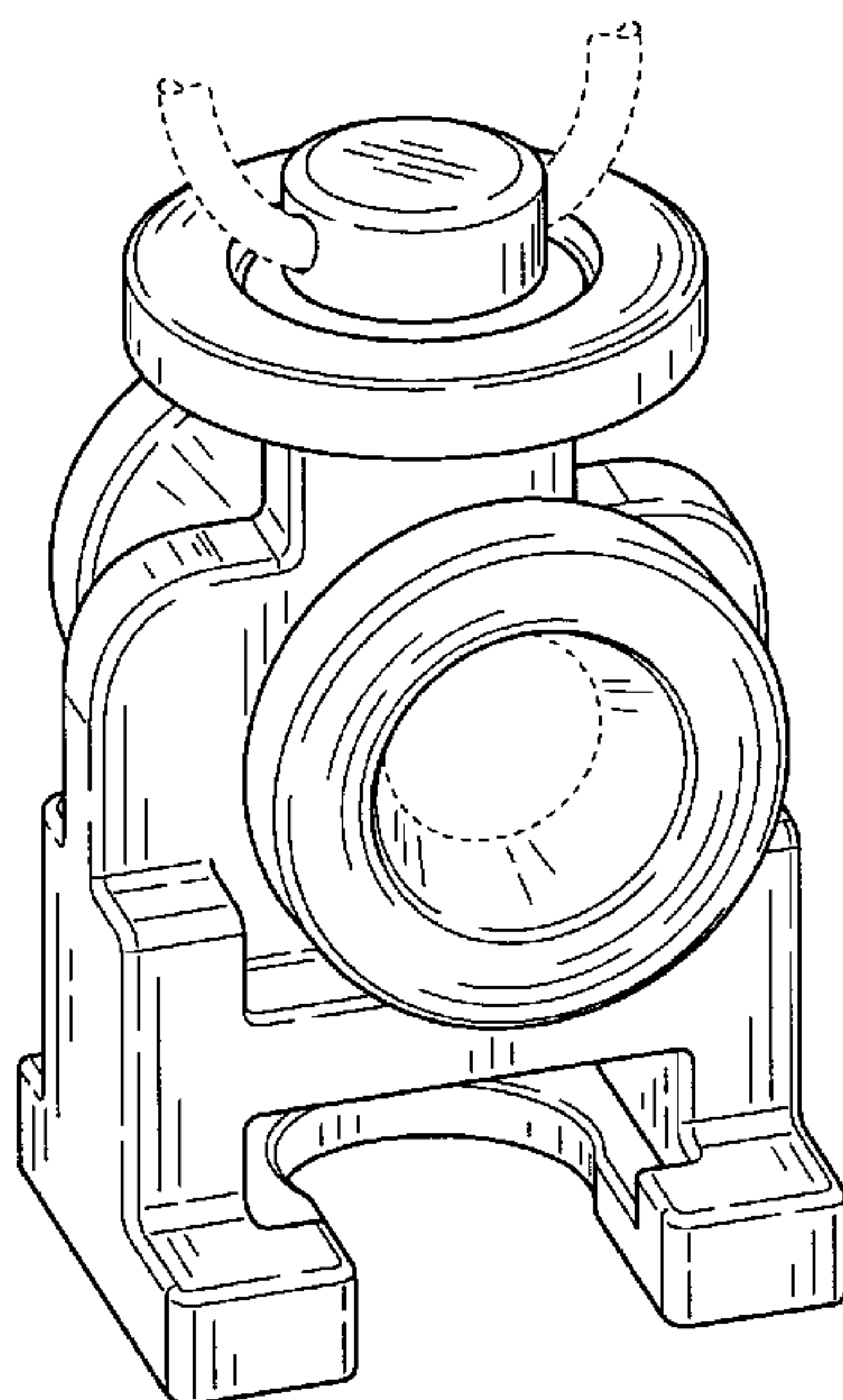
FIG. 4 is a right elevational view thereof, the left elevational view being a mirror image of the right.

FIG. 5 is a top plan view thereof; and,

FIG. 6 is a bottom plan view thereof.

The broken lines within the FIGS. 1, 2 and 3 represent the boundaries of the claimed design and form no part of the claimed design. The broken lines shown at the top of FIGS. 1 through 4 and the center of FIG. 5 represent environmental structure and form no part of the claimed design.

**1 Claim, 3 Drawing Sheets**



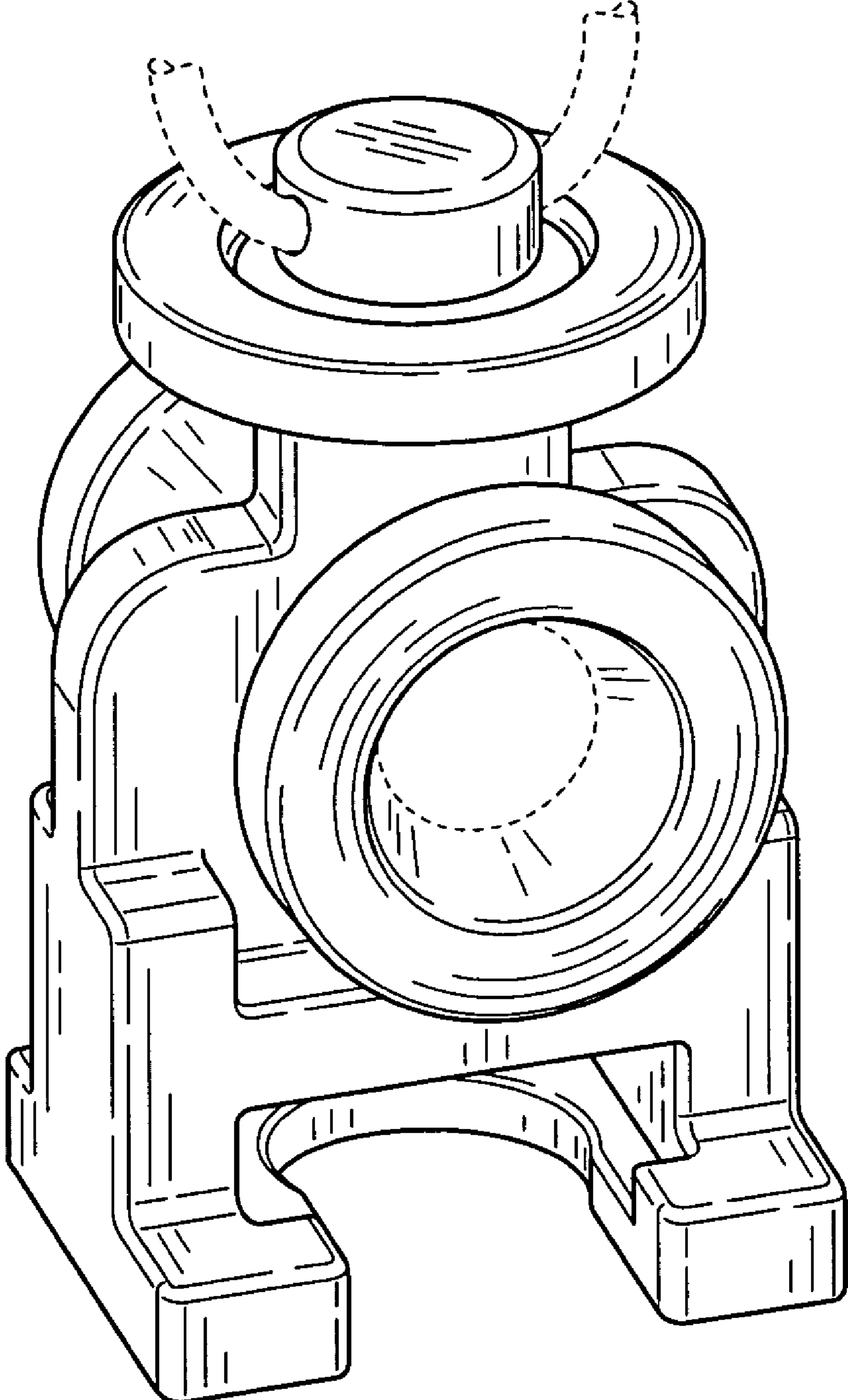


FIG. 1

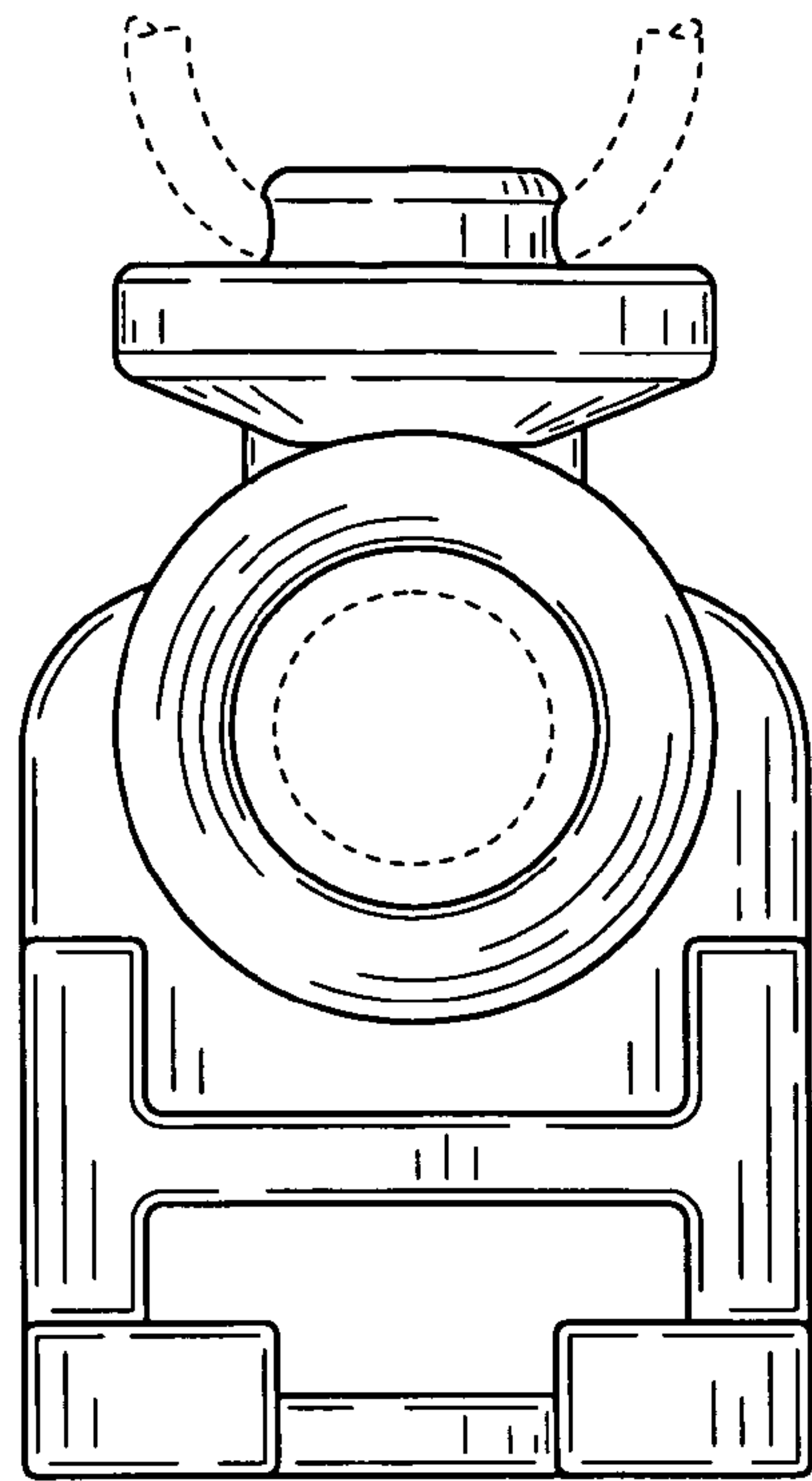


FIG. 2

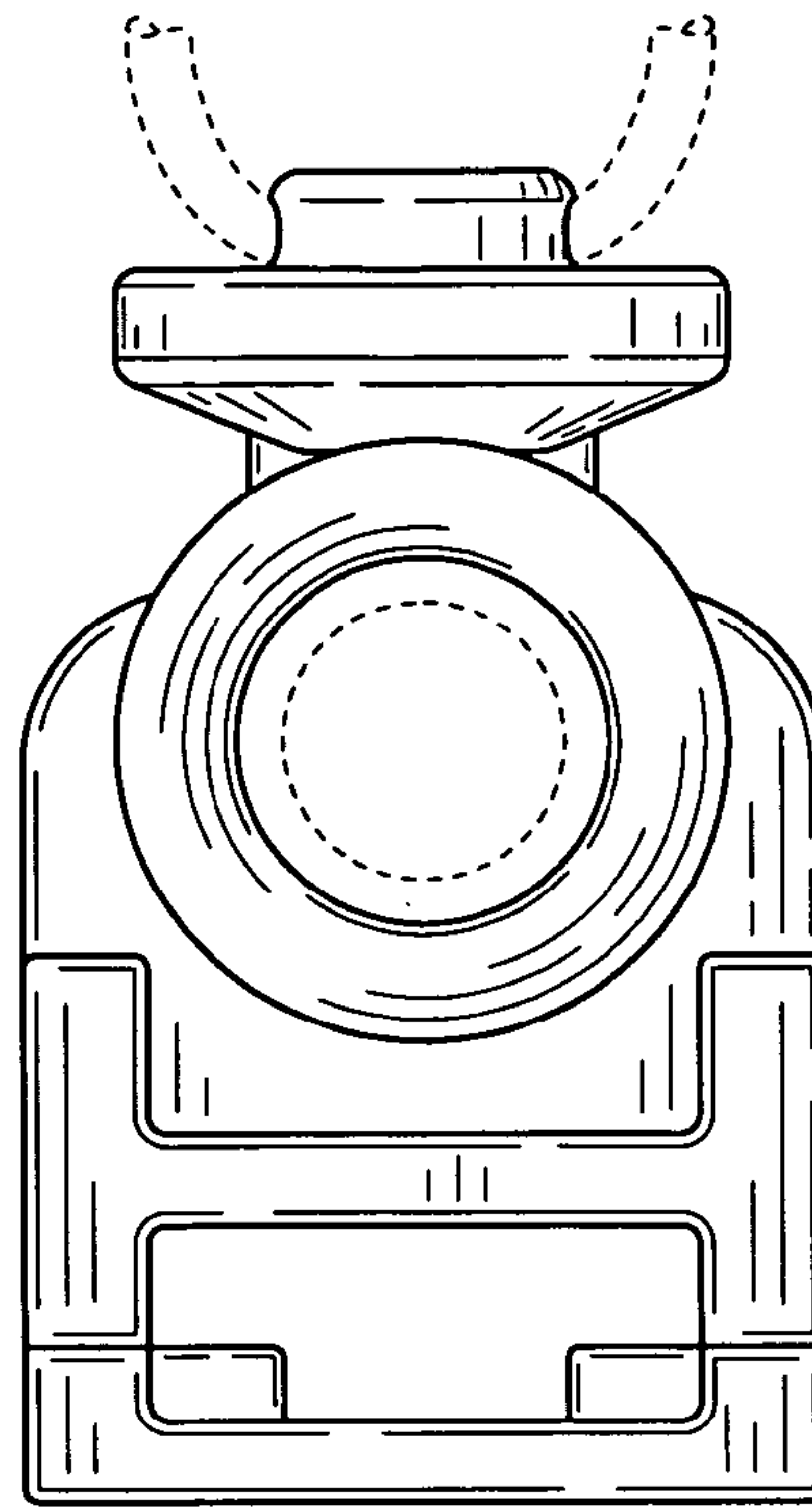


FIG. 3

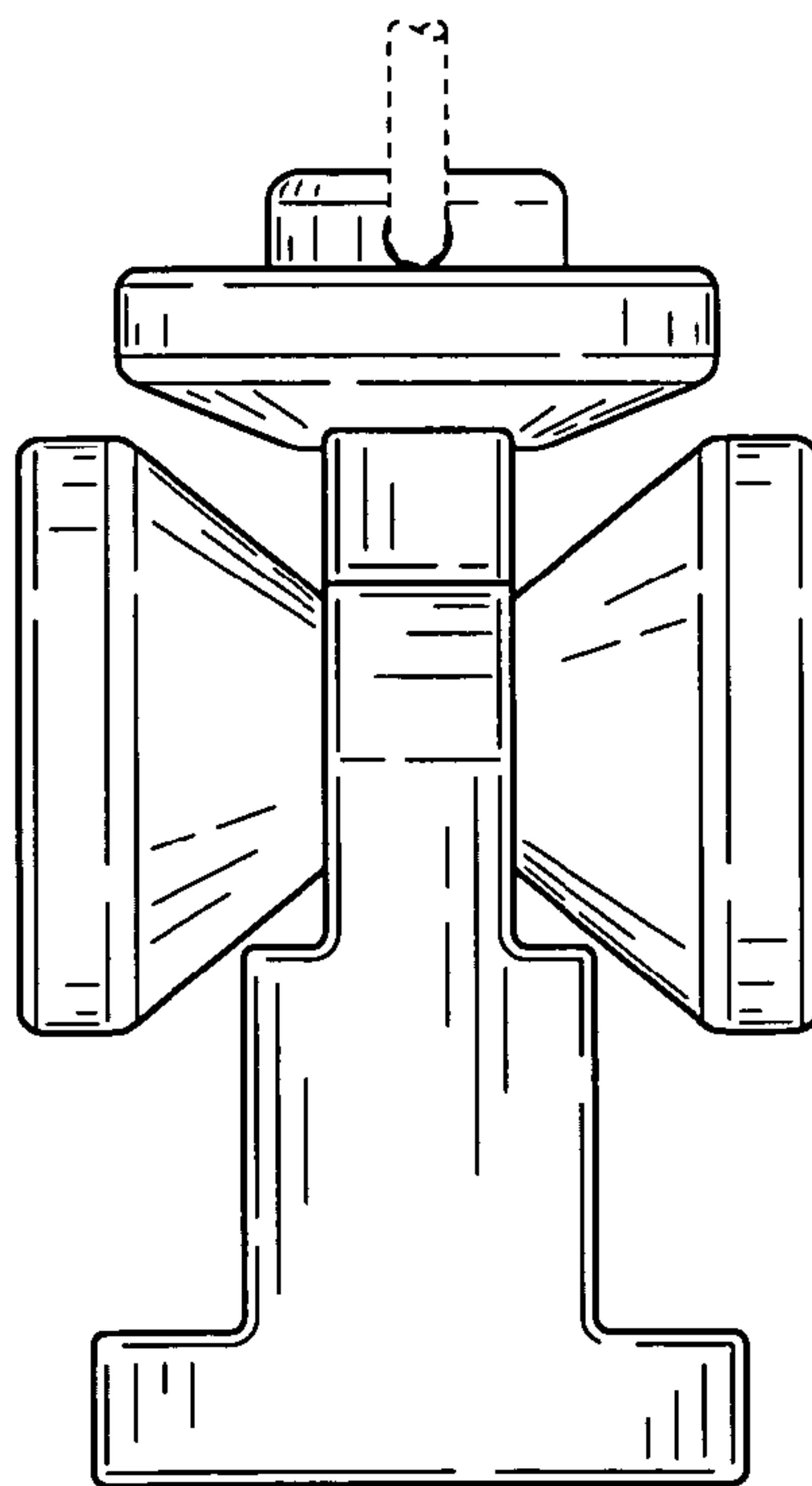


FIG. 4

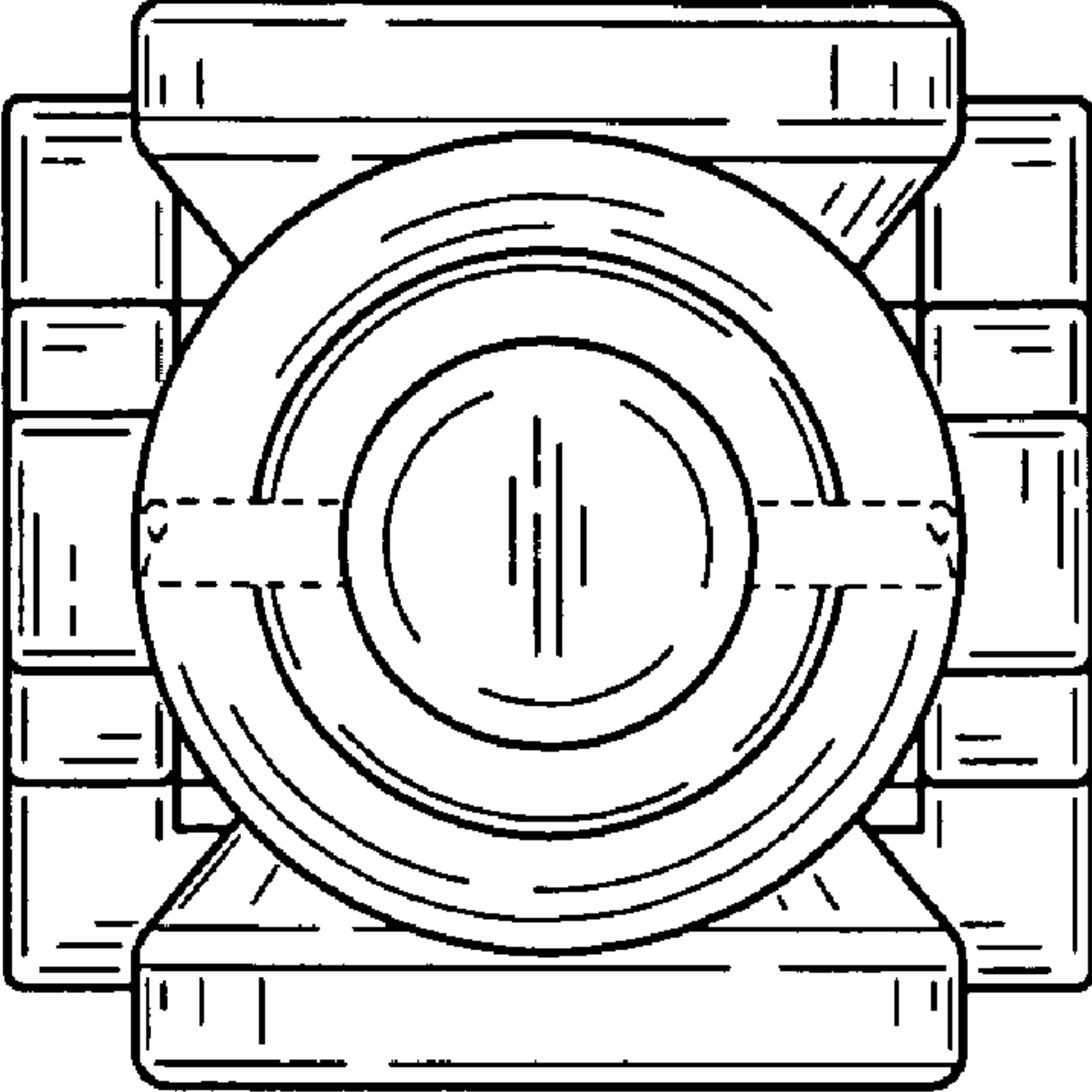


FIG. 5

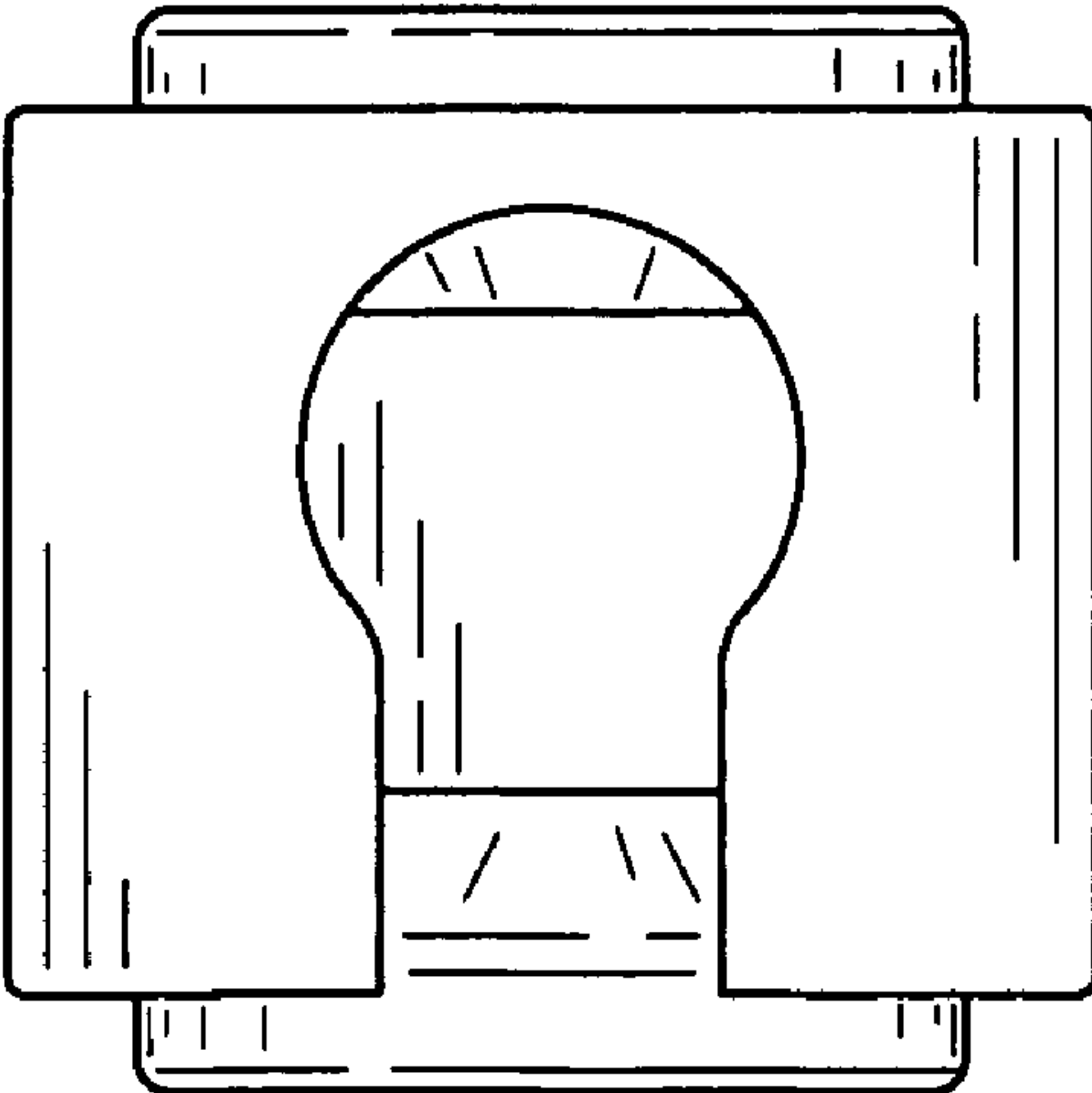


FIG. 6