



US00D581762S

(12) **United States Design Patent**
Aglassinger

(10) **Patent No.:** **US D581,762 S**
(45) **Date of Patent:** **** Dec. 2, 2008**

(54) **CORDLESS DRILL/DRIVER**

(75) Inventor: **Hans-Peter Aglassinger**, Esslingen (DE)

(73) Assignee: **Robert Bosch GmbH**, Stuttgart (DE)

(**) Term: **14 Years**

(21) Appl. No.: **29/306,579**

(22) Filed: **Apr. 11, 2008**

(30) **Foreign Application Priority Data**

Dec. 26, 2007 (EM) 000849674

(51) **LOC (8) Cl.** **08-01**

(52) **U.S. Cl.** **D8/68**

(58) **Field of Classification Search** D8/14.1,
D8/61, 62, 63, 64, 65, 66, 67, 68, 69, 70;
81/57.11, 429, 454, 455, 456, 469, 489; 173/13,
173/104, 114, 168, 169, 170, 171, 178, 201,
173/211, 213, 217; 408/20, 124, 125, 234,
408/241 R; 451/358; 310/50; 227/8, 113,
227/114, 120, 130, 136, 142

See application file for complete search history.

(56) **References Cited**

U.S. PATENT DOCUMENTS

D396,177 S *	7/1998	Schultz	D8/68
D419,413 S *	1/2000	Heun	D8/68
D420,877 S *	2/2000	Schultz	D8/68
D460,674 S *	7/2002	Heun	D8/68
D467,483 S *	12/2002	Heun	D8/68
D506,914 S *	7/2005	Okuda	D8/68

D510,007 S *	9/2005	Yamamoto	D8/68
D511,080 S *	11/2005	Koch et al.	D8/68
D514,909 S *	2/2006	Bosch	D8/68
D515,376 S *	2/2006	Wacker et al.	D8/68
D533,040 S *	12/2006	Schoen	D8/68
D533,421 S *	12/2006	Aglassinger	D8/68
D539,110 S *	3/2007	Okuda	D8/68
D549,060 S *	8/2007	Kavovit et al.	D8/68
D551,527 S *	9/2007	Aglassinger	D8/68
2002/0110431 A1 *	8/2002	Dils et al.	408/241 R
2007/0266831 A1 *	11/2007	Matthias et al.	81/489
2008/0099224 A1 *	5/2008	Hofmann et al.	173/217

* cited by examiner

Primary Examiner—T. Chase Nelson

(74) *Attorney, Agent, or Firm*—Victor A. Henzi

(57) **CLAIM**

The ornamental design for the cordless drill/driver, as shown and described.

DESCRIPTION

FIG. 1 is a rear, left, and top perspective view of the cordless drill/driver;

FIG. 2 is a front elevational view thereof;

FIG. 3 is a left elevational view thereof;

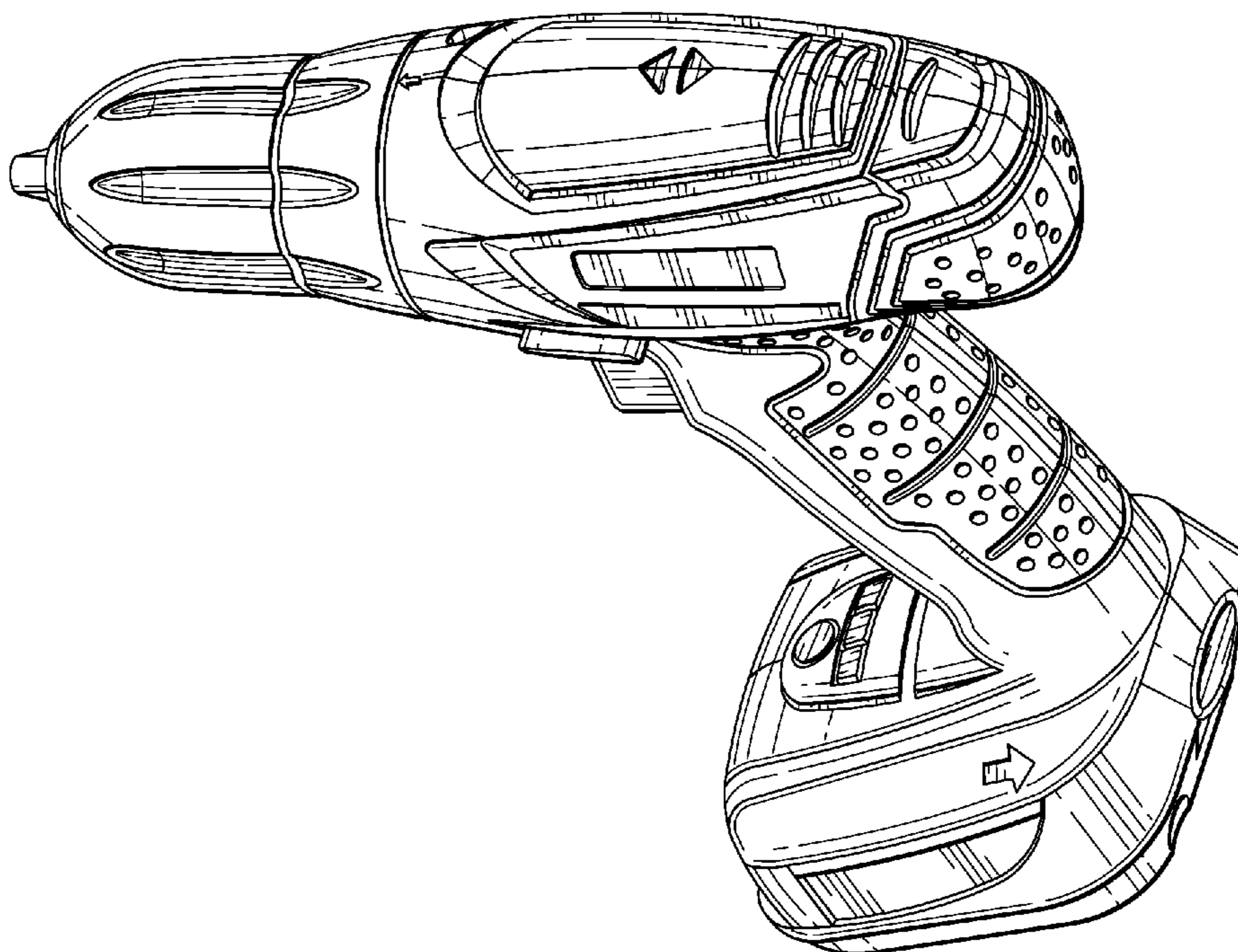
FIG. 4 is a rear view thereof;

FIG. 5 is a right elevational view thereof;

FIG. 6 is a bottom plan view thereof; and,

FIG. 7 is a top plan view thereof.

1 Claim, 6 Drawing Sheets



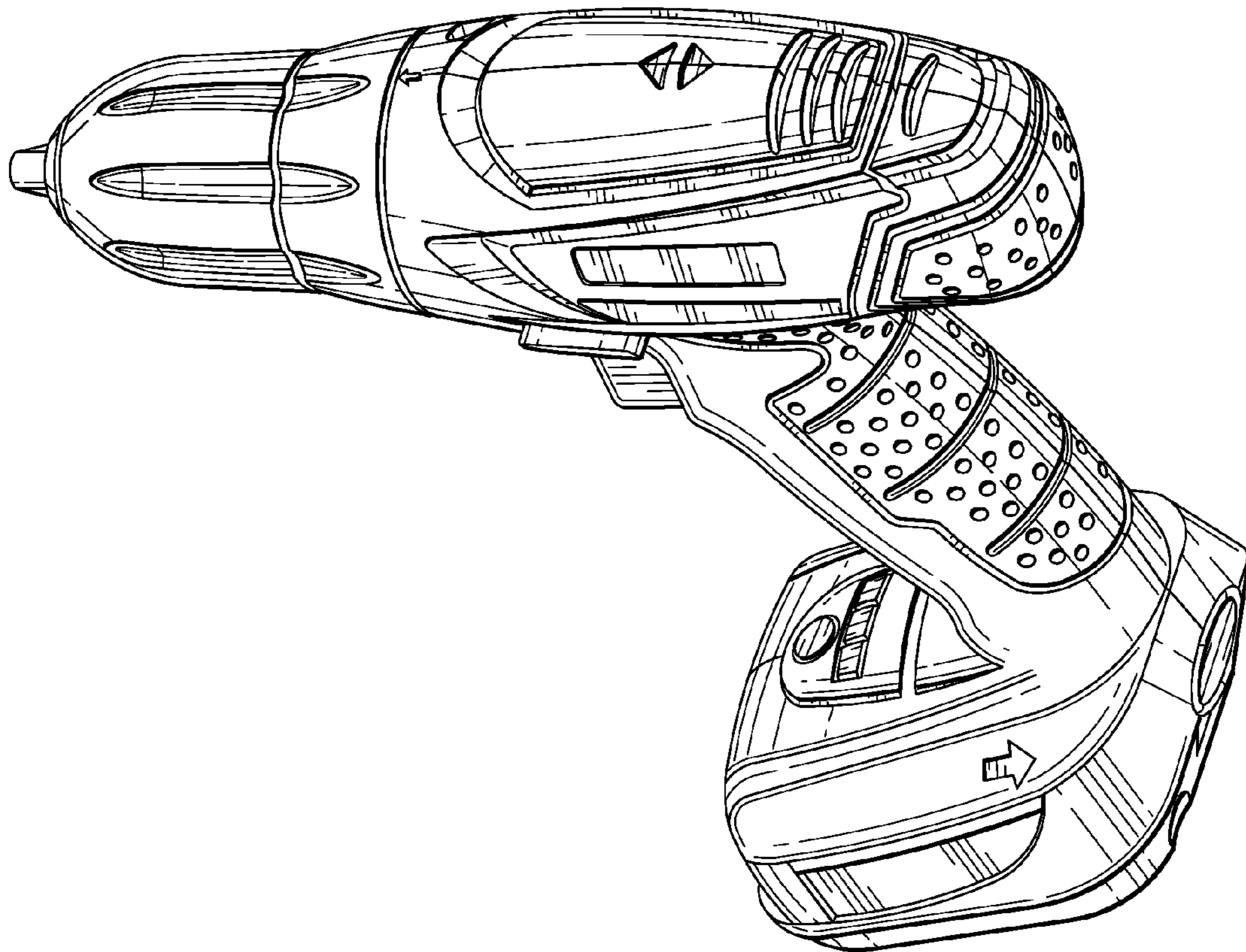


Fig. 1

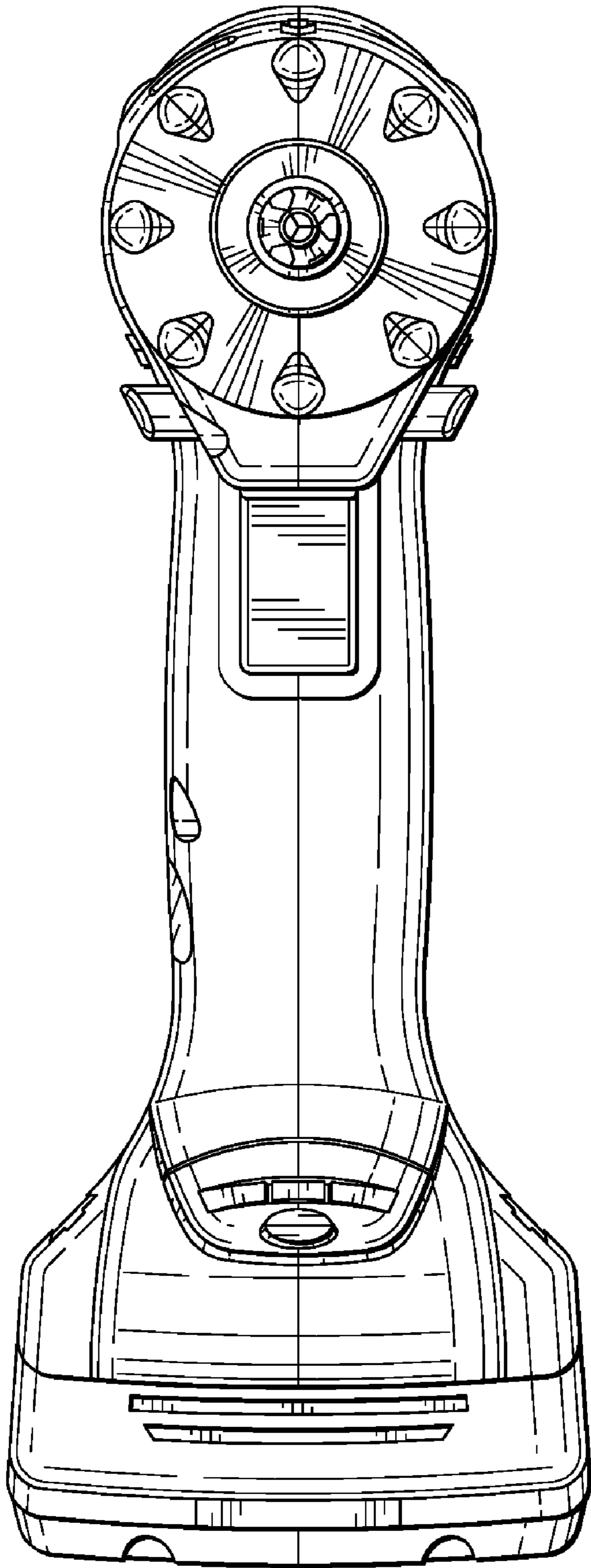


Fig. 2

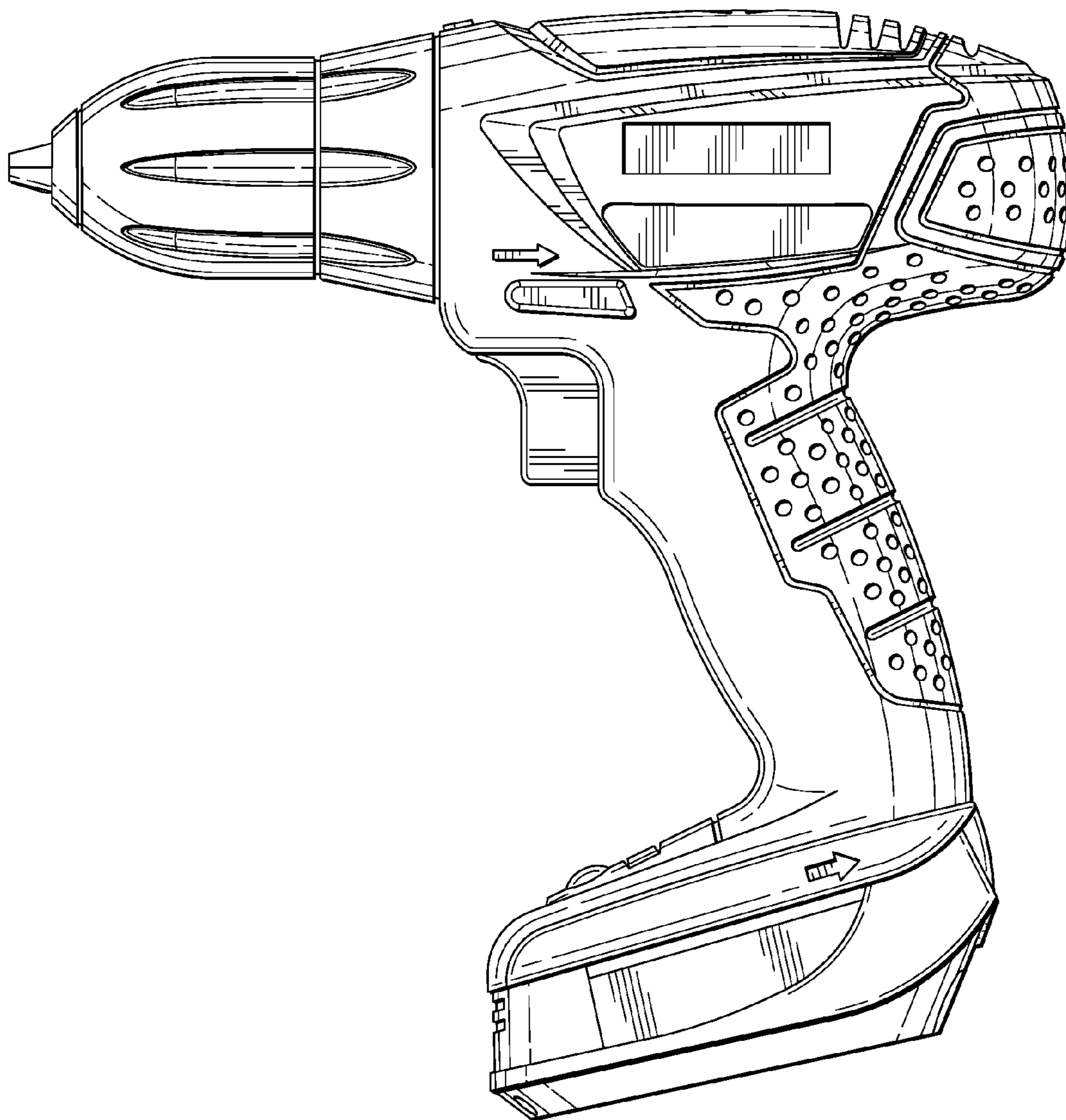


Fig. 3

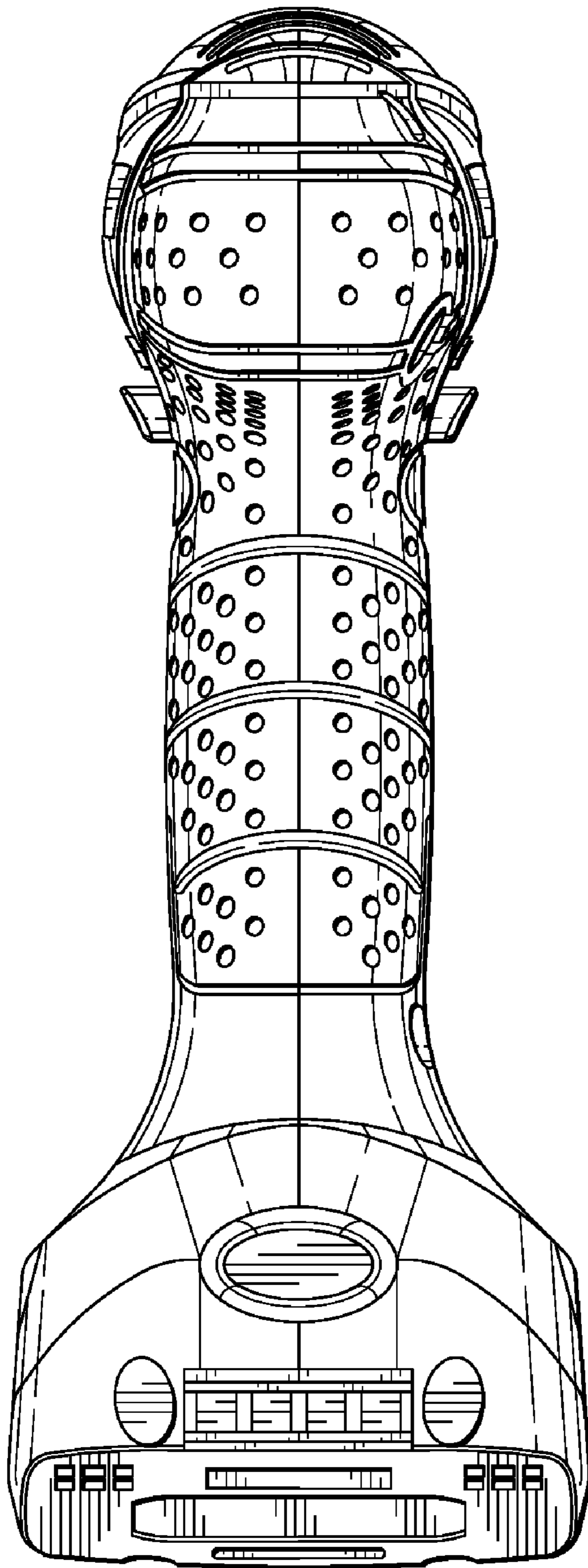


Fig. 4

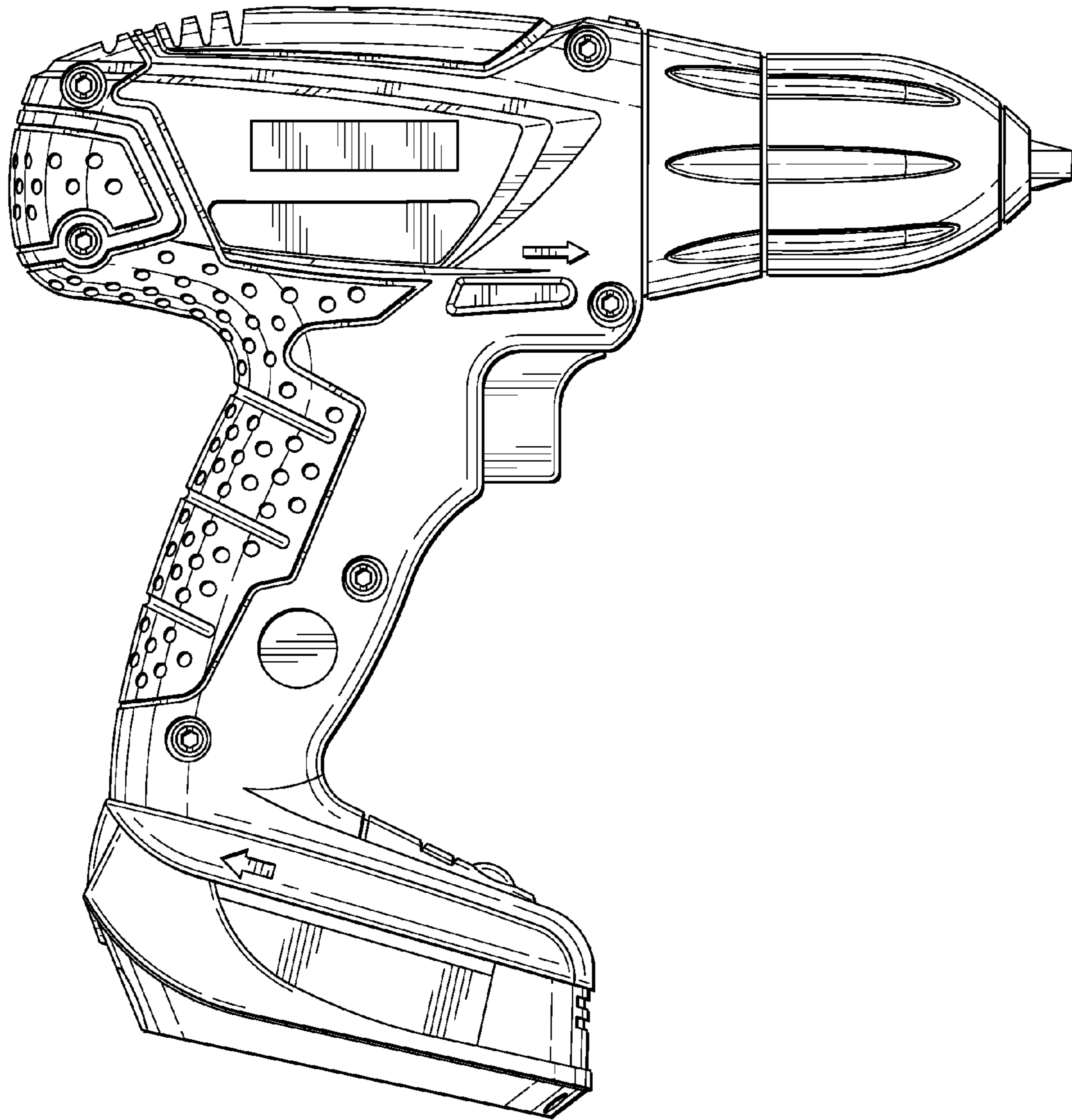


Fig. 5

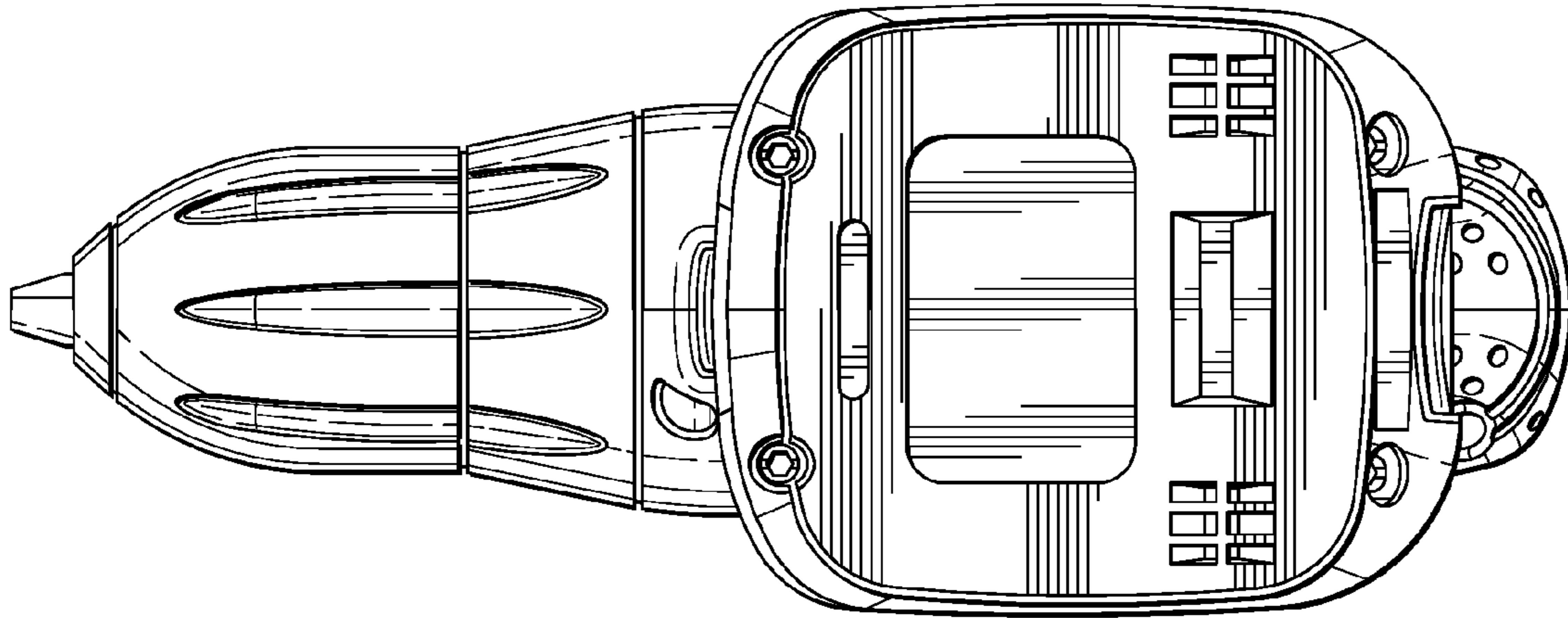


Fig. 6

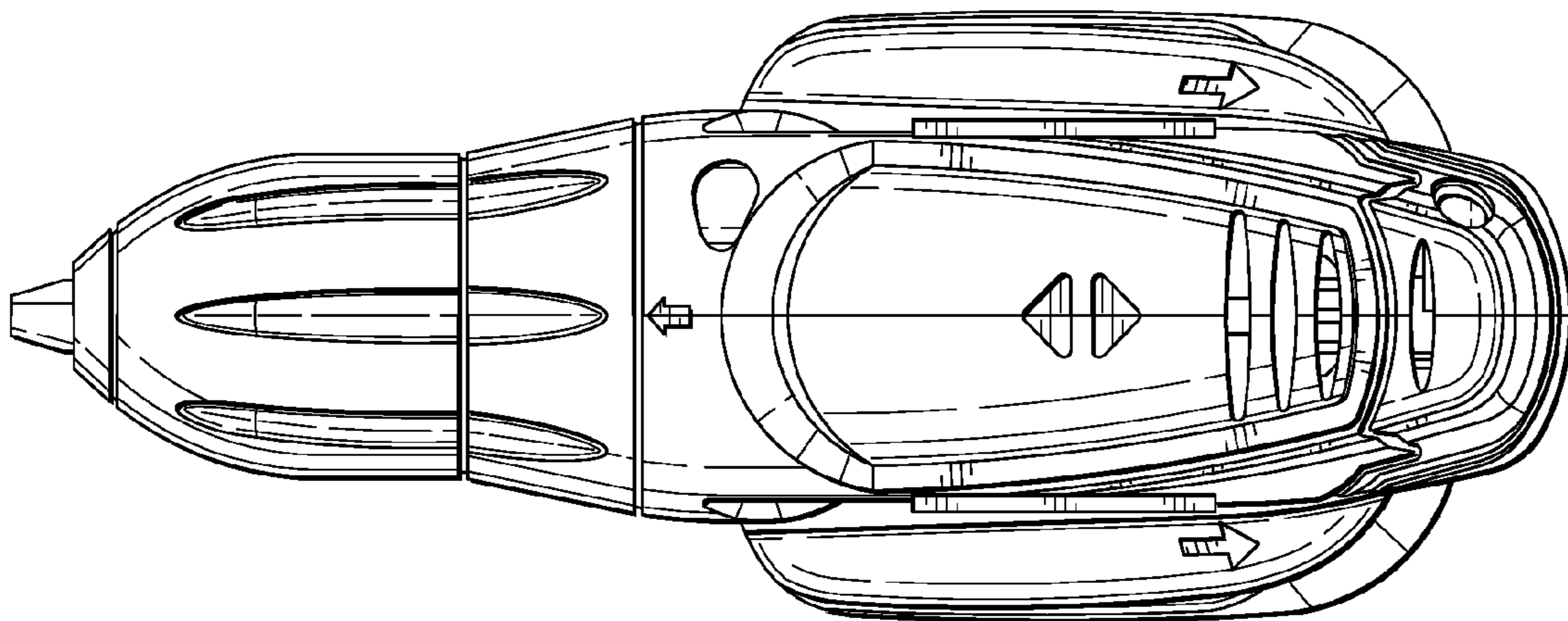


Fig. 7