



US00D581759S

(12) **United States Design Patent**
Aglassinger

(10) **Patent No.:** **US D581,759 S**

(45) **Date of Patent:** **** Dec. 2, 2008**

(54) **ANGLE GRINDER**

(75) Inventor: **Hans-Peter Aglassinger**, Esslingen (DE)

(73) Assignee: **Robert Bosch GmbH**, Stuttgart (DE)

(**) Term: **14 Years**

(21) Appl. No.: **29/295,318**

(22) Filed: **Sep. 26, 2007**

(51) **LOC (8) Cl.** **08-01**

(52) **U.S. Cl.** **D8/62**

(58) **Field of Classification Search** D32/15,
D32/17, 19; D8/67, 62, 61; D4/102; 451/456,
451/451, 359, 358, 357, 356, 355, 354, 353,
451/351, 344; 310/50; 173/170

See application file for complete search history.

(56) **References Cited**

U.S. PATENT DOCUMENTS

D107,275 S *	11/1937	Albertson	D8/62
D255,417 S *	6/1980	Sakamoto et al.	D8/62
D297,907 S *	10/1988	Hoshimo et al.	D8/62
6,241,594 B1 *	6/2001	Lepold	451/359
D453,288 S *	2/2002	Lui	D8/62
6,527,630 B2 *	3/2003	Mannsperger et al.	451/344
D475,263 S *	6/2003	Andriolo	D8/62
D491,033 S *	6/2004	Bian	D8/62
D494,827 S *	8/2004	Liu	D8/62
D498,653 S *	11/2004	Wu	D8/62
D538,615 S *	3/2007	Hastie	D8/62
D548,034 S *	8/2007	Hayakawa et al.	D8/62
D557,580 S *	12/2007	Aglassinger	D8/62
D558,016 S *	12/2007	Aglassinger	D8/62
D564,321 S *	3/2008	Huguet et al.	D8/62
D567,610 S *	4/2008	Wright	D8/62

2003/0190877 A1* 10/2003 Gallagher et al. 451/344

* cited by examiner

Primary Examiner—Cathron C Brooks

Assistant Examiner—Austin Murphy

(74) *Attorney, Agent, or Firm*—Michael J. Striker

(57) **CLAIM**

The ornamental design for an angle grinder, as shown and described.

DESCRIPTION

FIG. 1 is a perspective view of an angle grinder showing my new design:

FIG. 2 is a side view thereof;

FIG. 3 is the opposite side view of FIG. 2 thereof;

FIG. 4 is a front view thereof;

FIG. 5 is a rear view thereof;

FIG. 6 is a top view thereof; and

FIG. 7 is a bottom view thereof.

FIG. 8 is a top perspective view of a second embodiment of an angle grinder—showing my new design;

FIG. 9 is a side view thereof;

FIG. 10 is the opposite side view of FIG. 9 thereof;

FIG. 11 is a front view thereof;

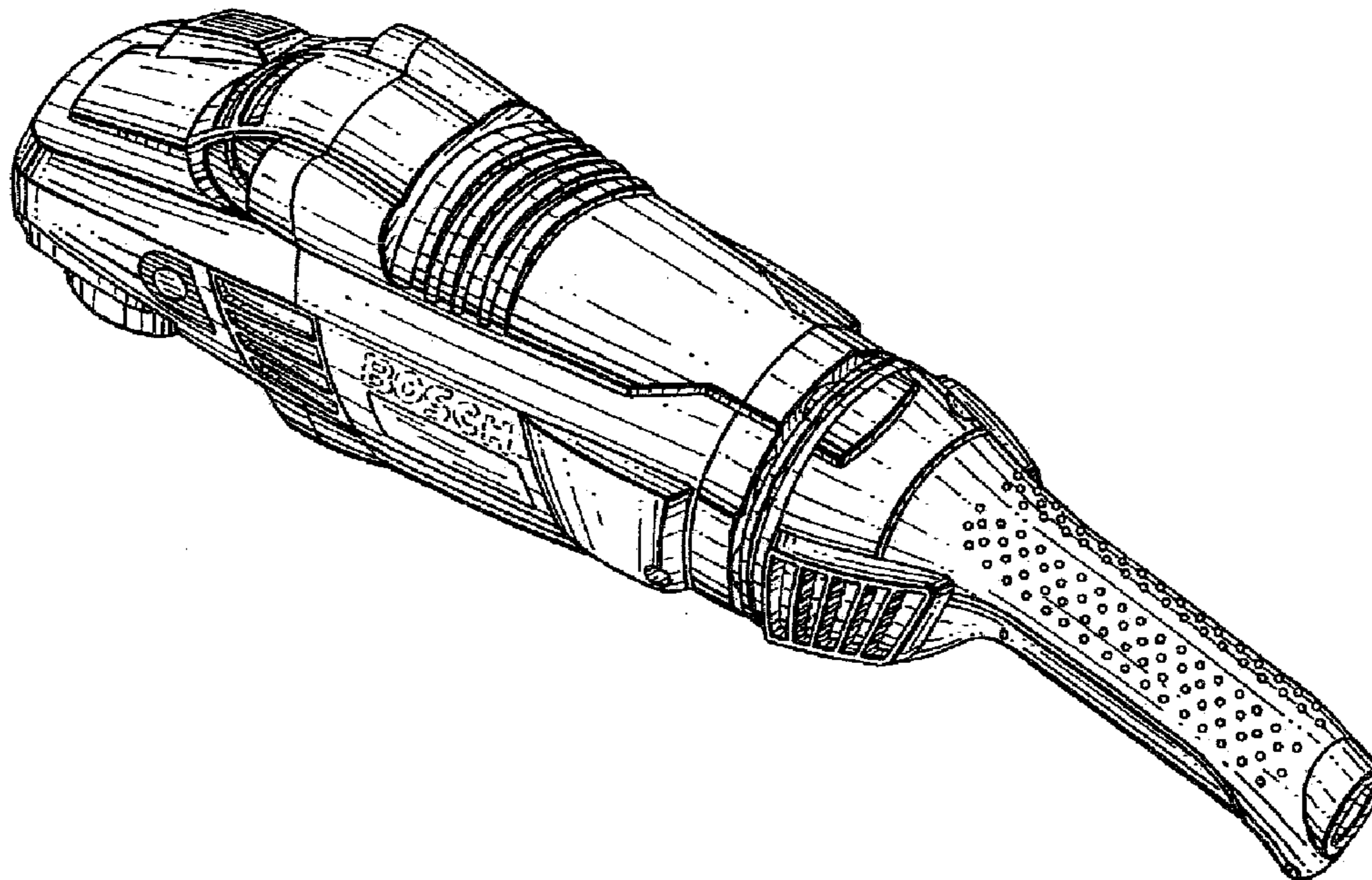
FIG. 12 is a rear view thereof;

FIG. 13 is a top view thereof; and,

FIG. 14 is a bottom view thereof.

The broken line showing of the interior elements of the angle grinder head forms no part of the claimed design.

1 Claim, 8 Drawing Sheets



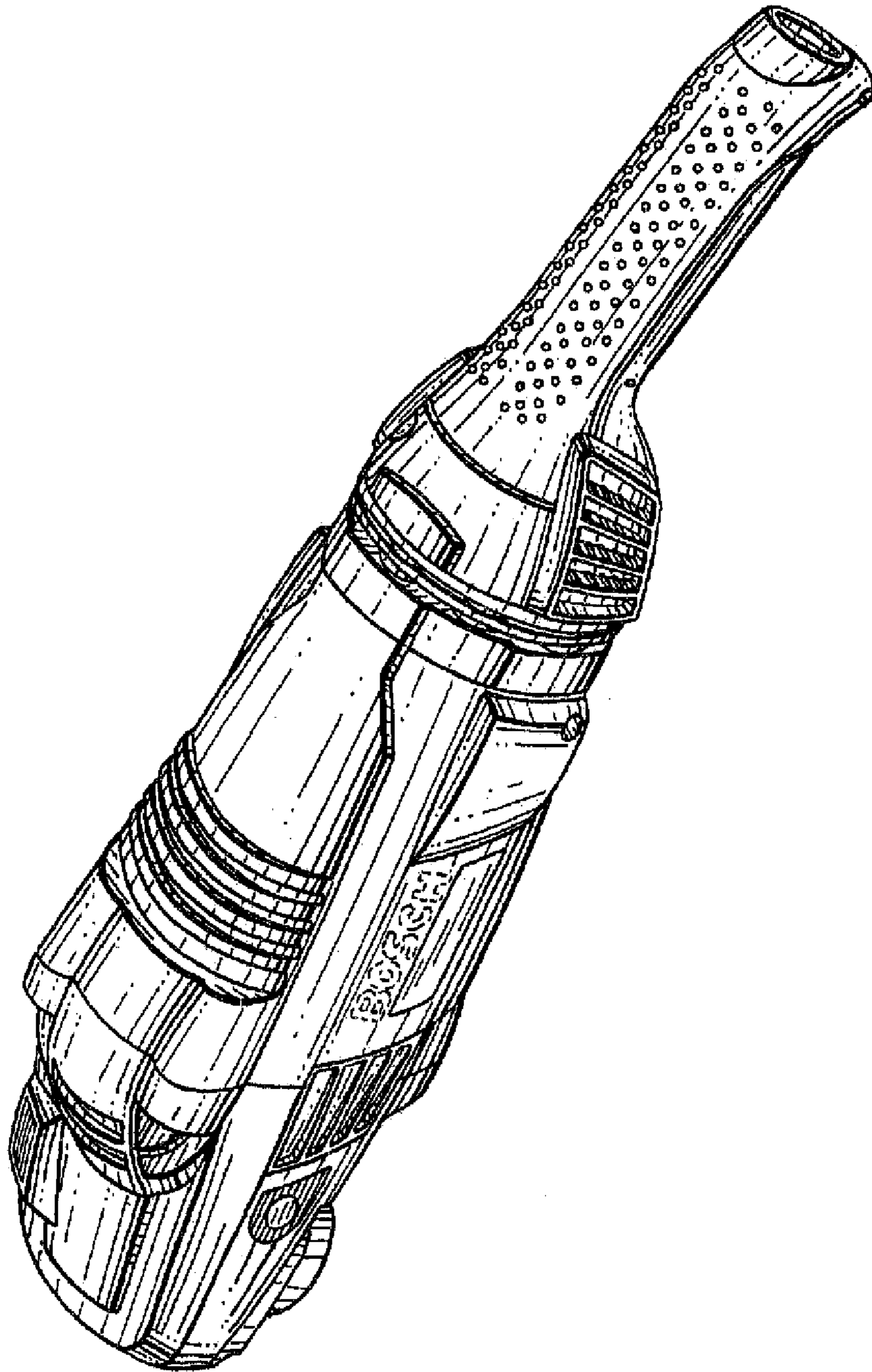


FIG. 1

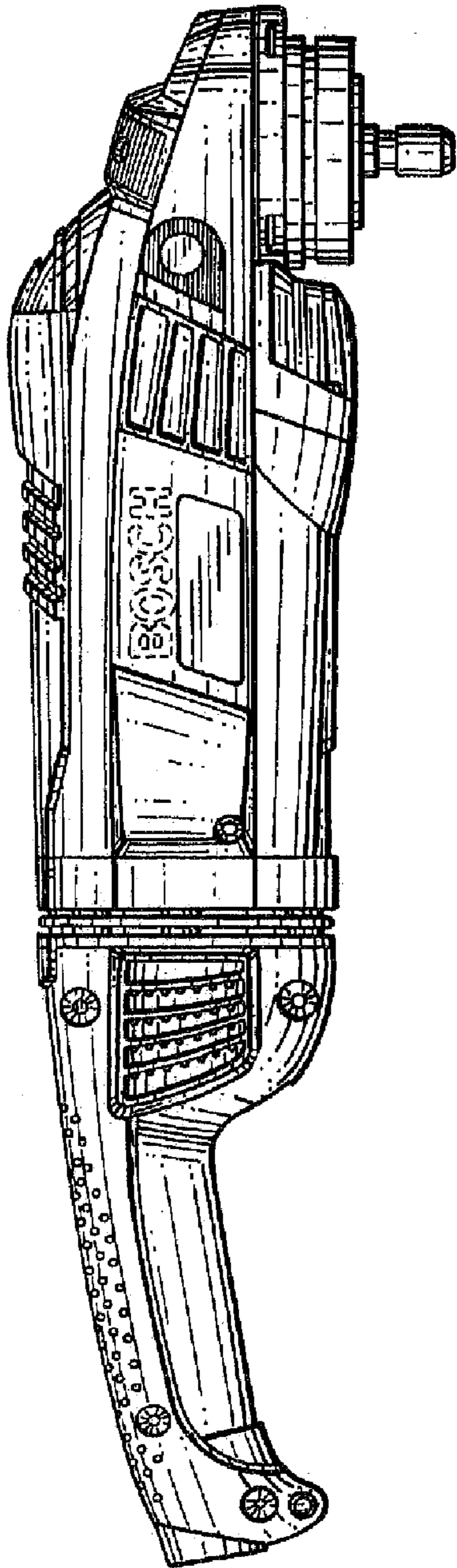


FIG. 2

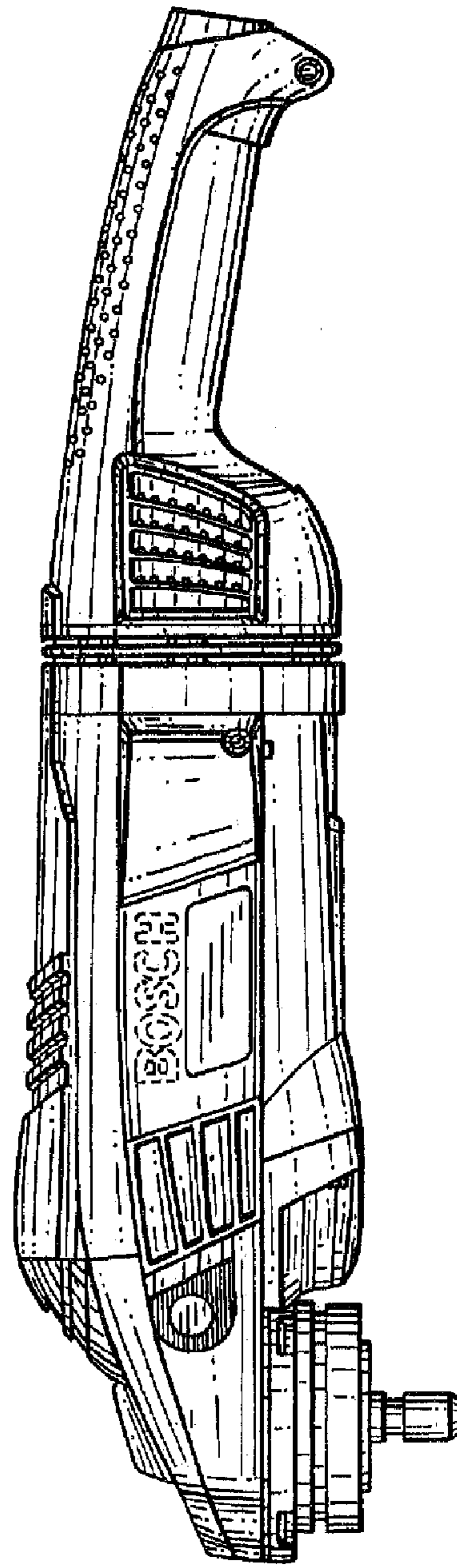


FIG. 3

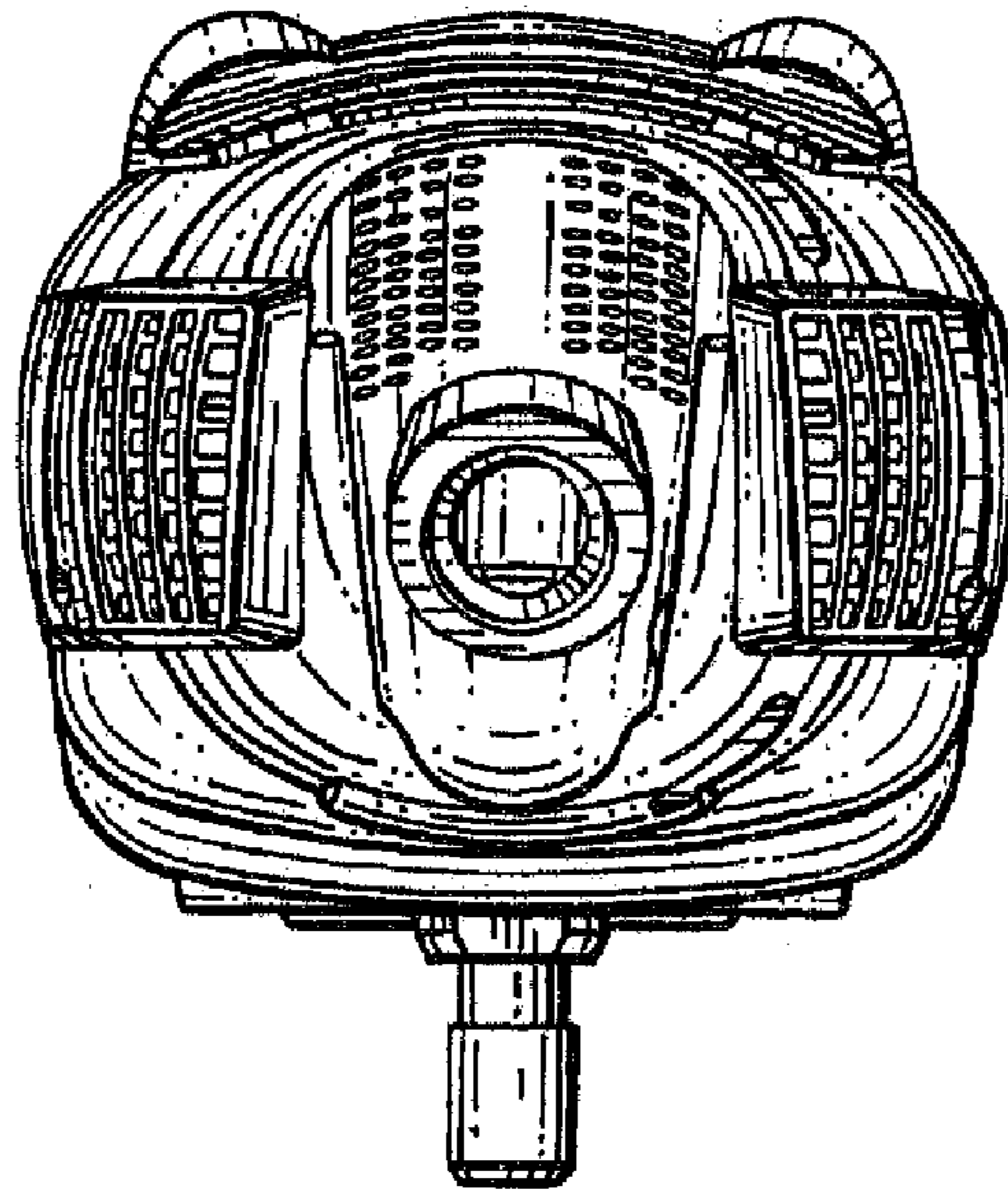


FIG. 4

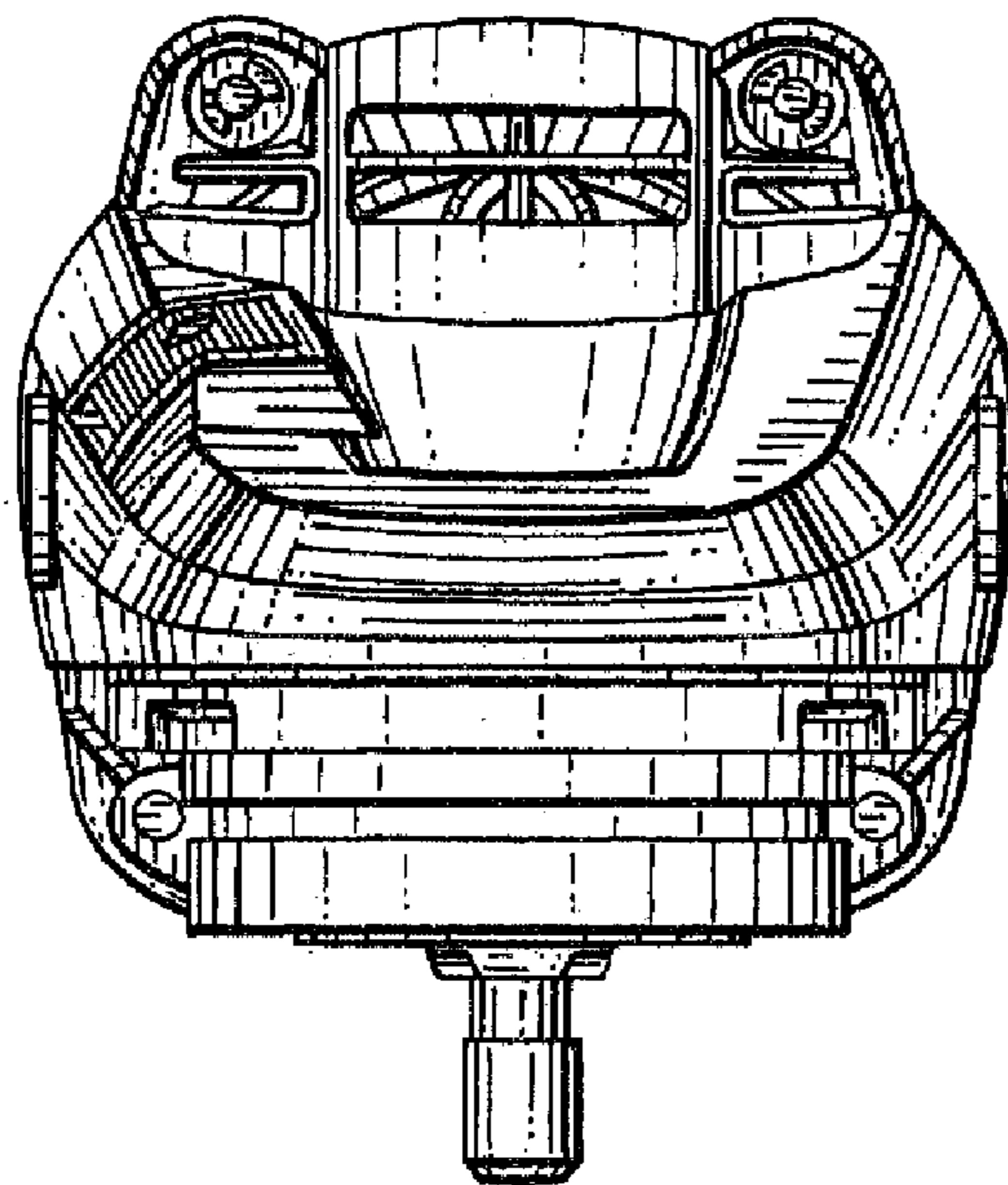


FIG. 5

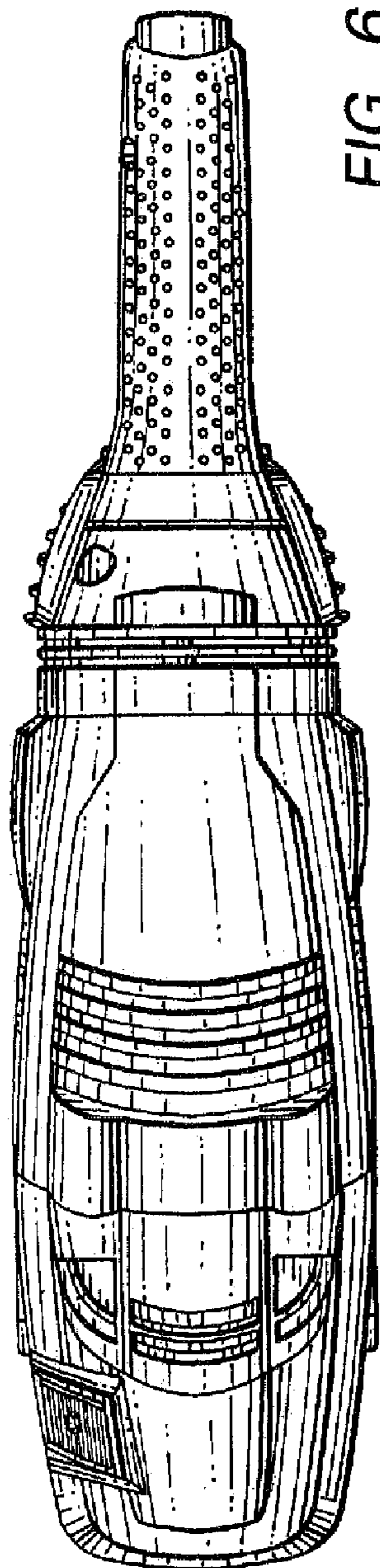


FIG. 6

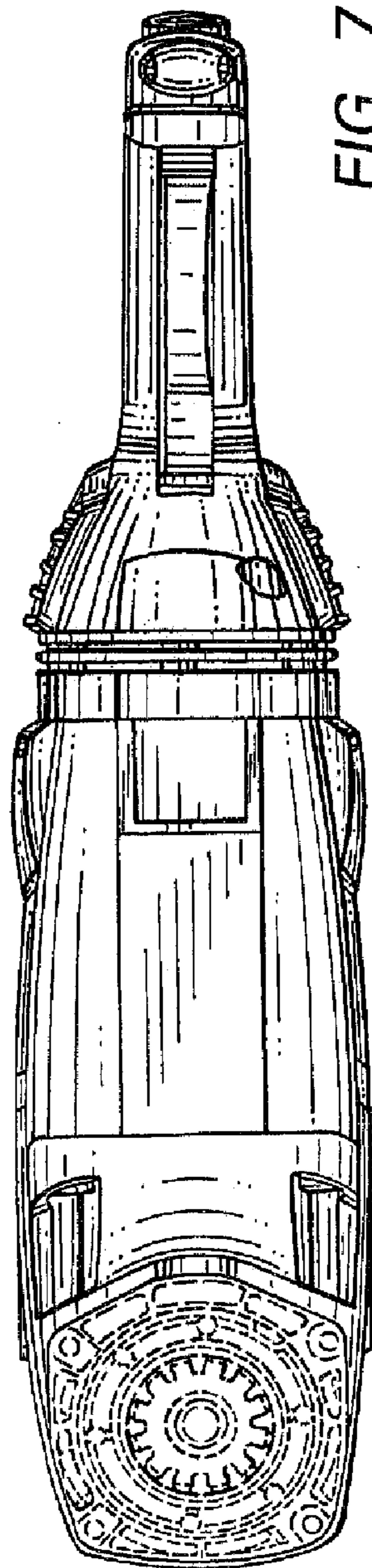


FIG. 7

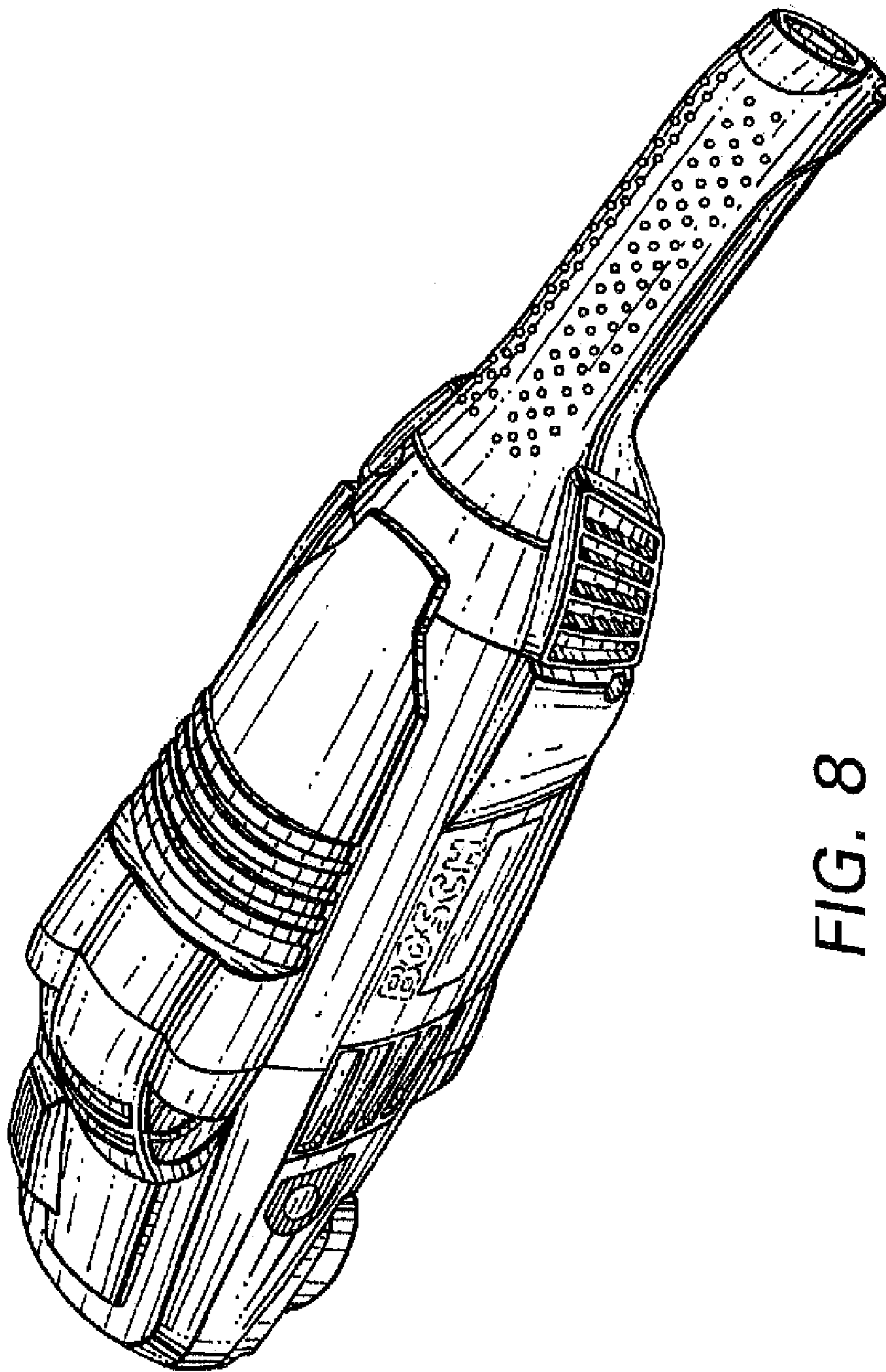


FIG. 8

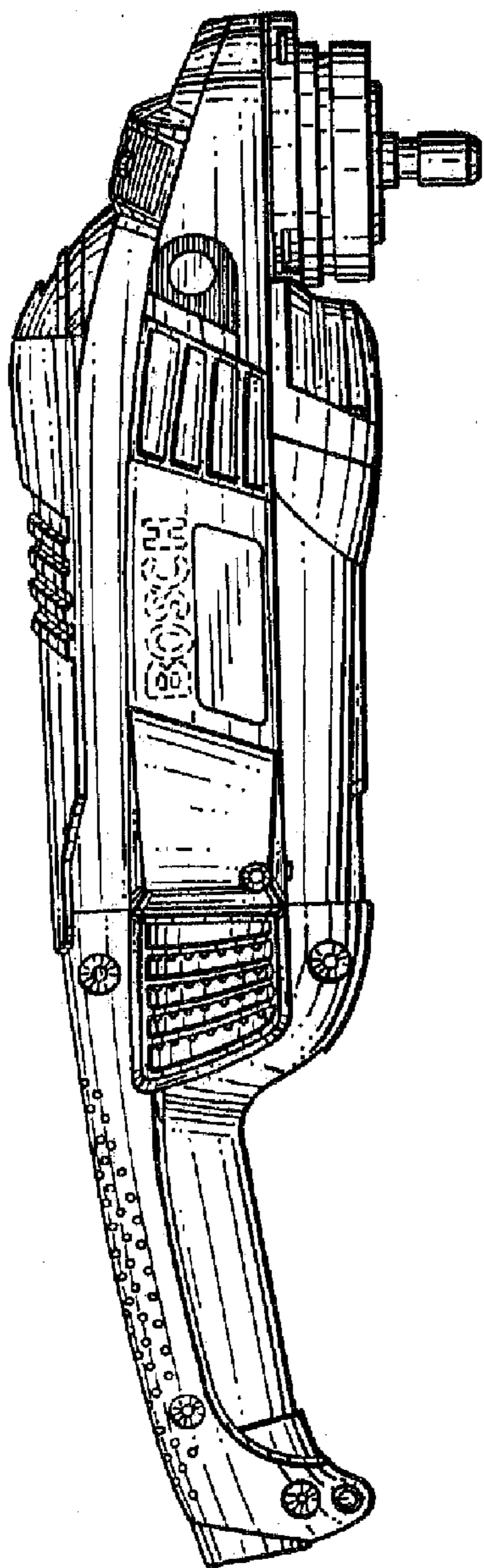


FIG. 9



FIG. 10

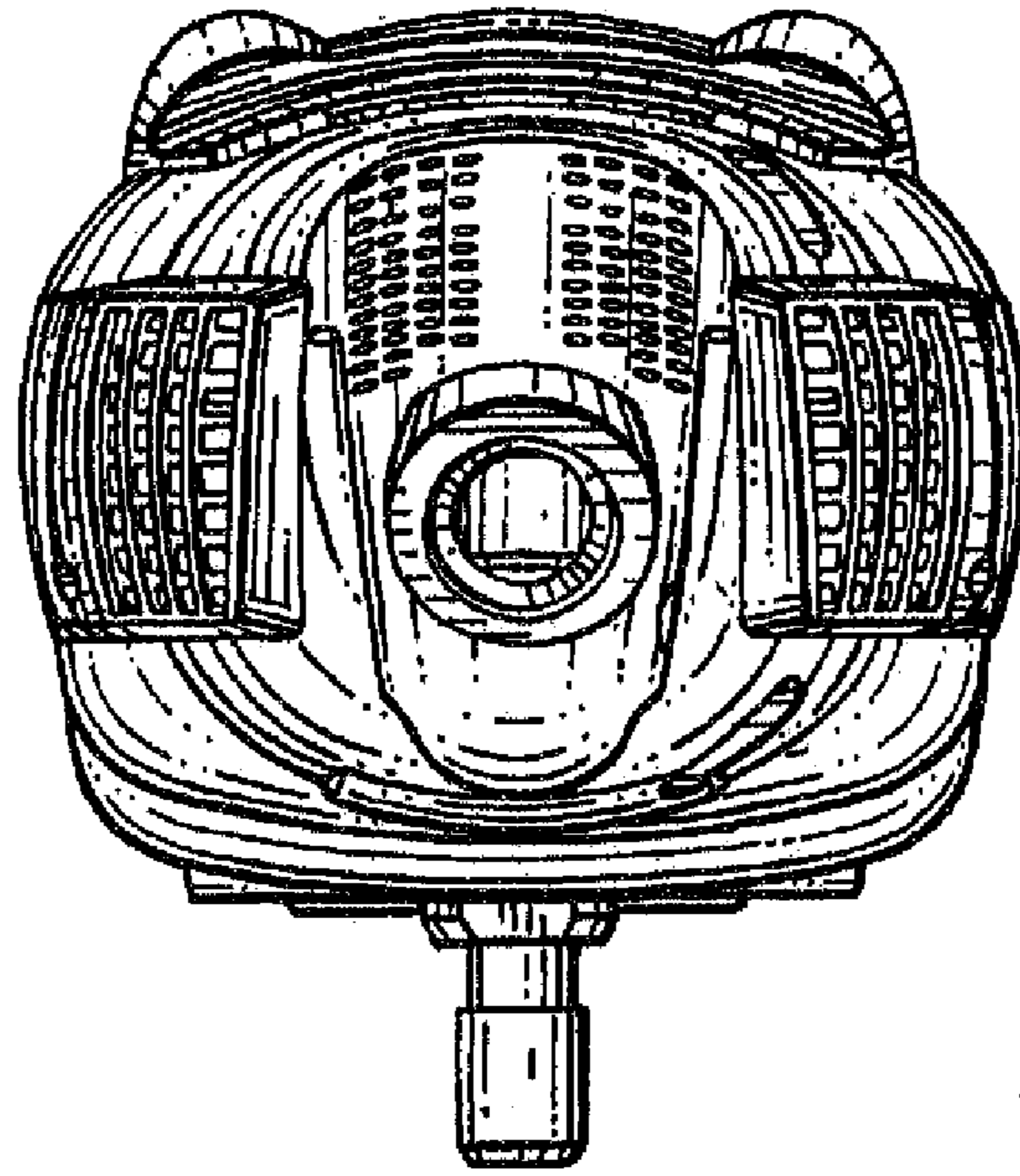


FIG. 11

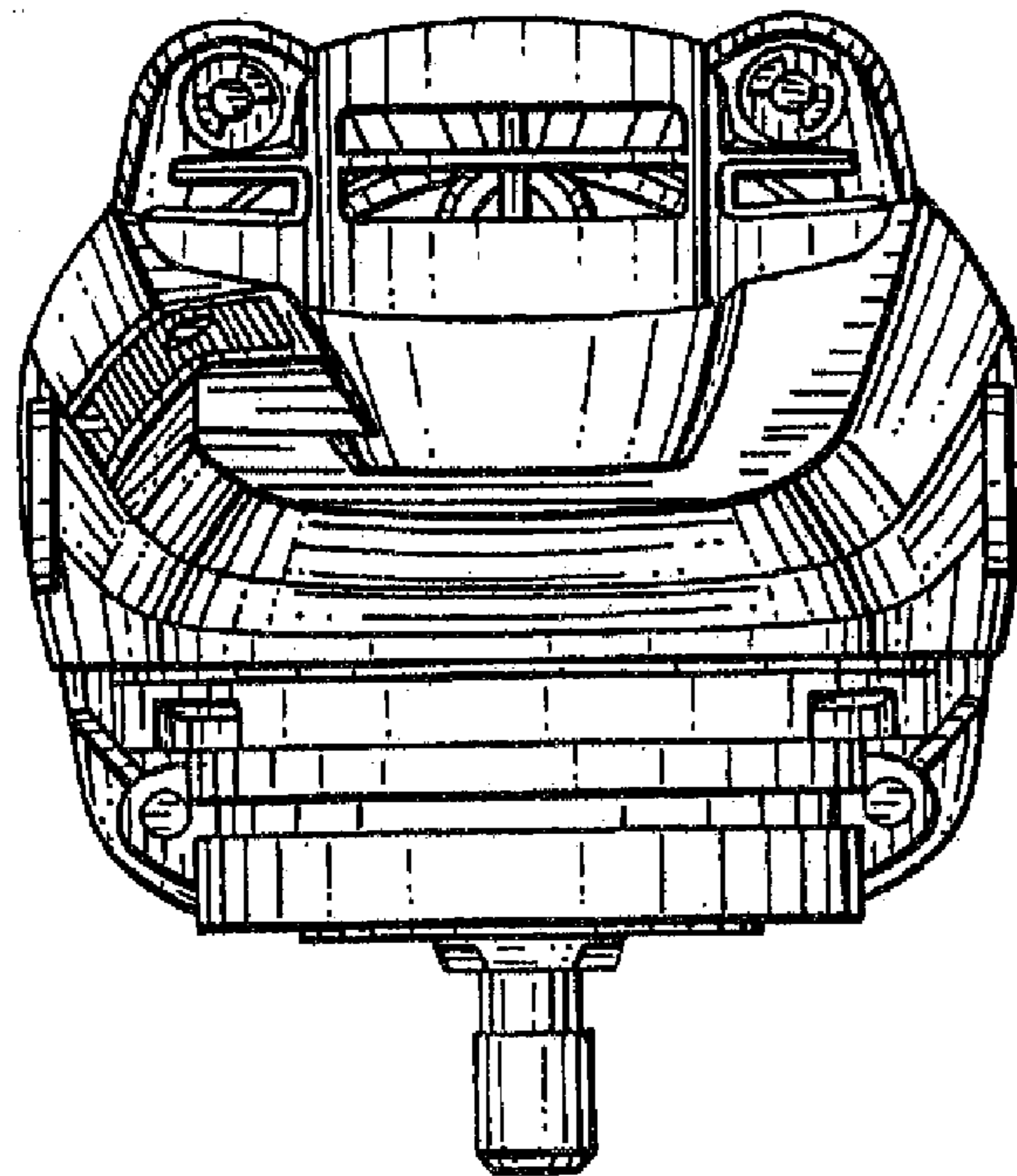


FIG. 12

