



US00D581757S

(12) **United States Design Patent**
Sandy

(10) **Patent No.:** **US D581,757 S**

(45) **Date of Patent:** **** Dec. 2, 2008**

(54) **STAPLER**

(75) Inventor: **Bonni Shevin Sandy**, Morton Grove, IL (US)

(73) Assignee: **Dard Products, Inc.**, Evanston, IL (US)

(**) Term: **14 Years**

(21) Appl. No.: **29/320,777**

(22) Filed: **Jul. 3, 2008**

(51) **LOC (8) Cl.** **19-02**

(52) **U.S. Cl.** **D8/50**

(58) **Field of Classification Search** D8/49,
D8/50, 61, 68, 69; D19/72, 73, 65, 69; D21/532;
D24/145; 7/158, 160; 227/4, 5, 6, 7, 8, 120,
227/127, 128, 131, 132, 134, 144, 156, 175.1
See application file for complete search history.

(56) **References Cited**

U.S. PATENT DOCUMENTS

2,975,424	A *	3/1961	Oussani	227/7
D219,725	S *	1/1971	Sano	D8/49
D277,161	S *	1/1985	Miller et al.	D8/49
D319,377	S *	8/1991	Sadashima et al.	D8/49
D331,000	S *	11/1992	Doorley	D8/50
D332,732	S *	1/1993	Matsuno	D8/50
D336,838	S *	6/1993	Ishii	D8/50
D374,385	S *	10/1996	Herbst et al.	D8/50
D445,323	S *	7/2001	Arns	D8/50
D467,778	S *	12/2002	Nolan	D8/50
D471,413	S *	3/2003	Fukuda	D8/49
D475,905	S *	6/2003	Kroger	D8/50
D503,320	S *	3/2005	Adams et al.	D8/50
D503,321	S *	3/2005	Harris	D8/50

D503,877	S *	4/2005	Adams et al.	D8/50
D512,290	S *	12/2005	Adams et al.	D8/50
D512,461	S *	12/2005	Tsuruha	D19/73
D512,616	S *	12/2005	Harris et al.	D8/50
D512,890	S *	12/2005	Harris	D8/50
D514,410	S *	2/2006	Adams et al.	D8/50
D515,893	S *	2/2006	Adams et al.	D8/50
D522,825	S *	6/2006	Adams et al.	D8/50
D535,168	S *	1/2007	Hattori	D8/50
7,311,235	B2 *	12/2007	Aoki	227/7
2002/0158101	A1 *	10/2002	Huang	227/7
2002/0166884	A1 *	11/2002	Luo	227/131

* cited by examiner

Primary Examiner—Cathron Brooks

Assistant Examiner—Austin Murphy

(74) *Attorney, Agent, or Firm*—Kenneth H. Ohriner; Perkins Coie LLP

(57) **CLAIM**

The ornamental design for a stapler, as shown and described.

DESCRIPTION

FIG. 1 is a front, left side and top perspective view showing my new design.

FIG. 2 is front view.

FIG. 3 is a back view.

FIG. 4 is a right side view.

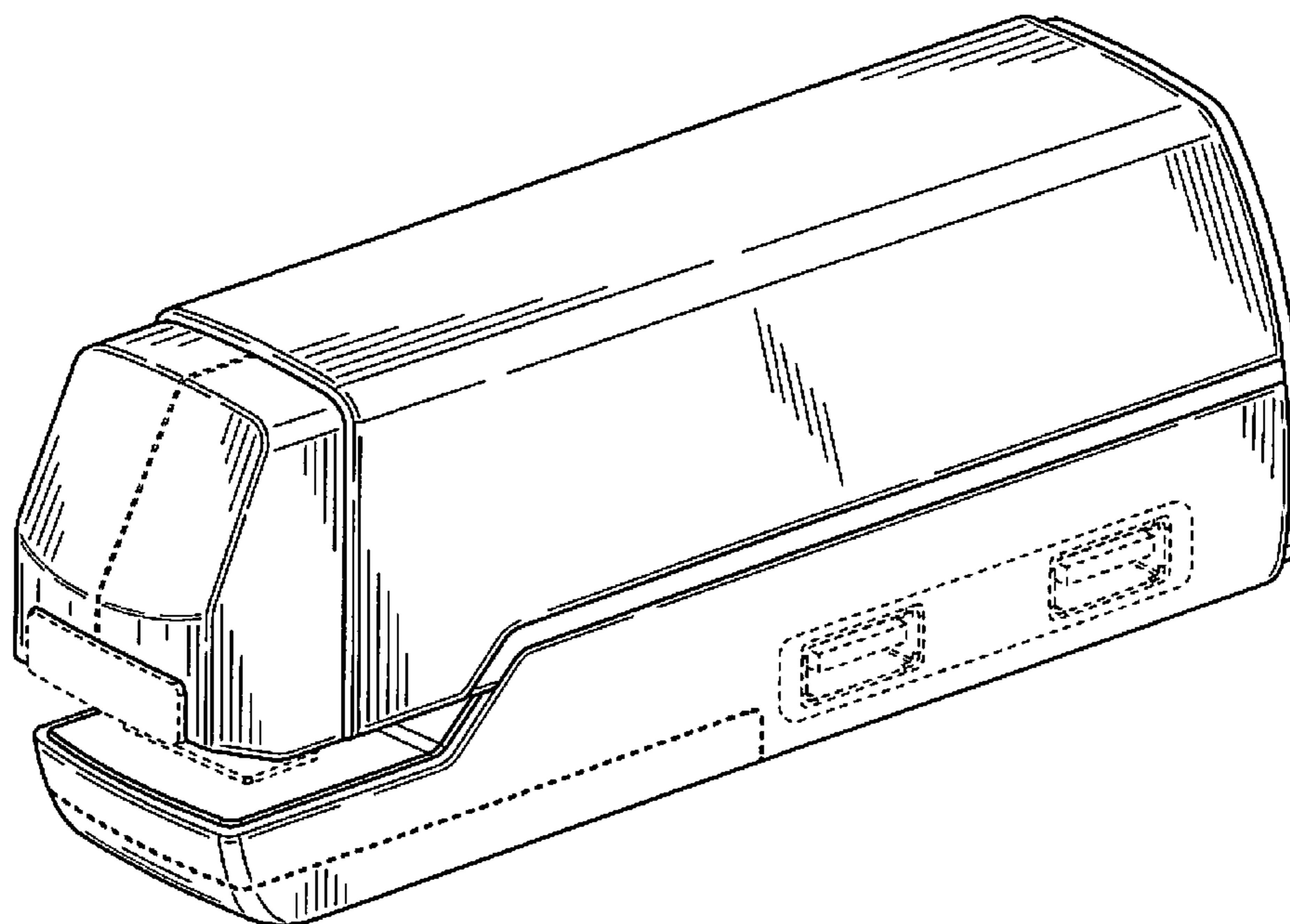
FIG. 5 is a left side view.

FIG. 6 is a top view; and,

FIG. 7 is a bottom view.

Dotted lines indicate unclaimed subject matter.

1 Claim, 4 Drawing Sheets



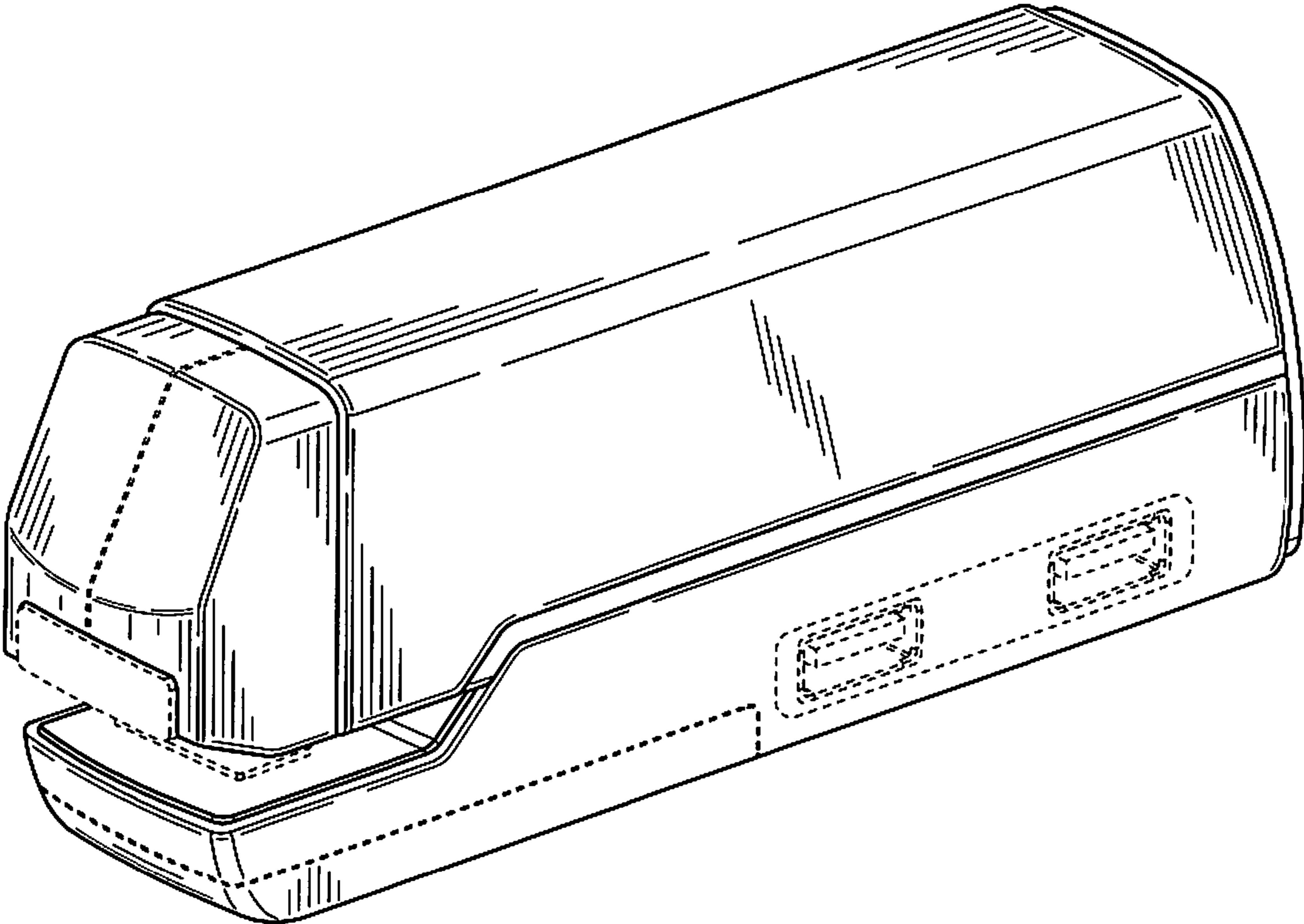


FIG. 1

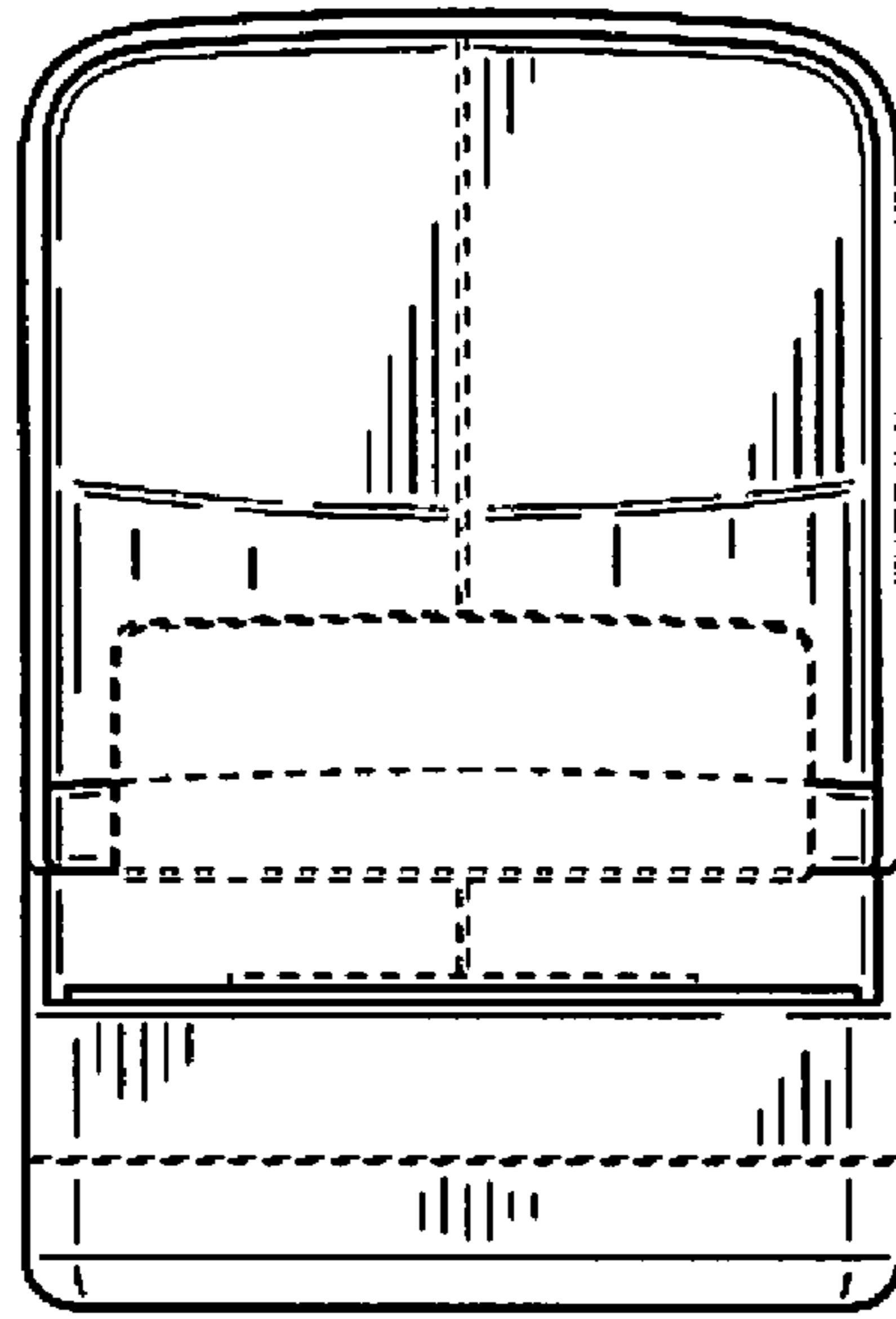


FIG. 2

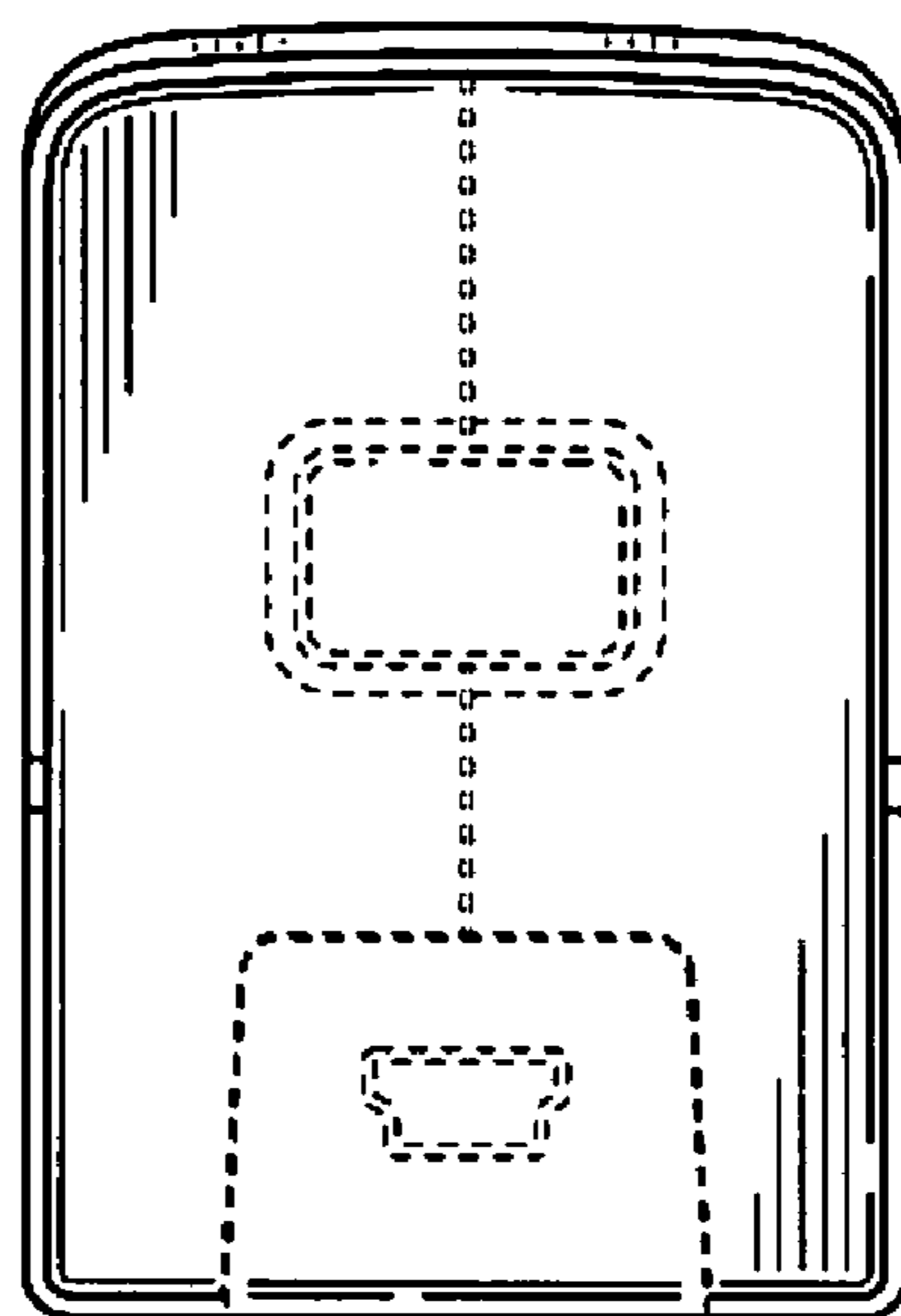


FIG. 3

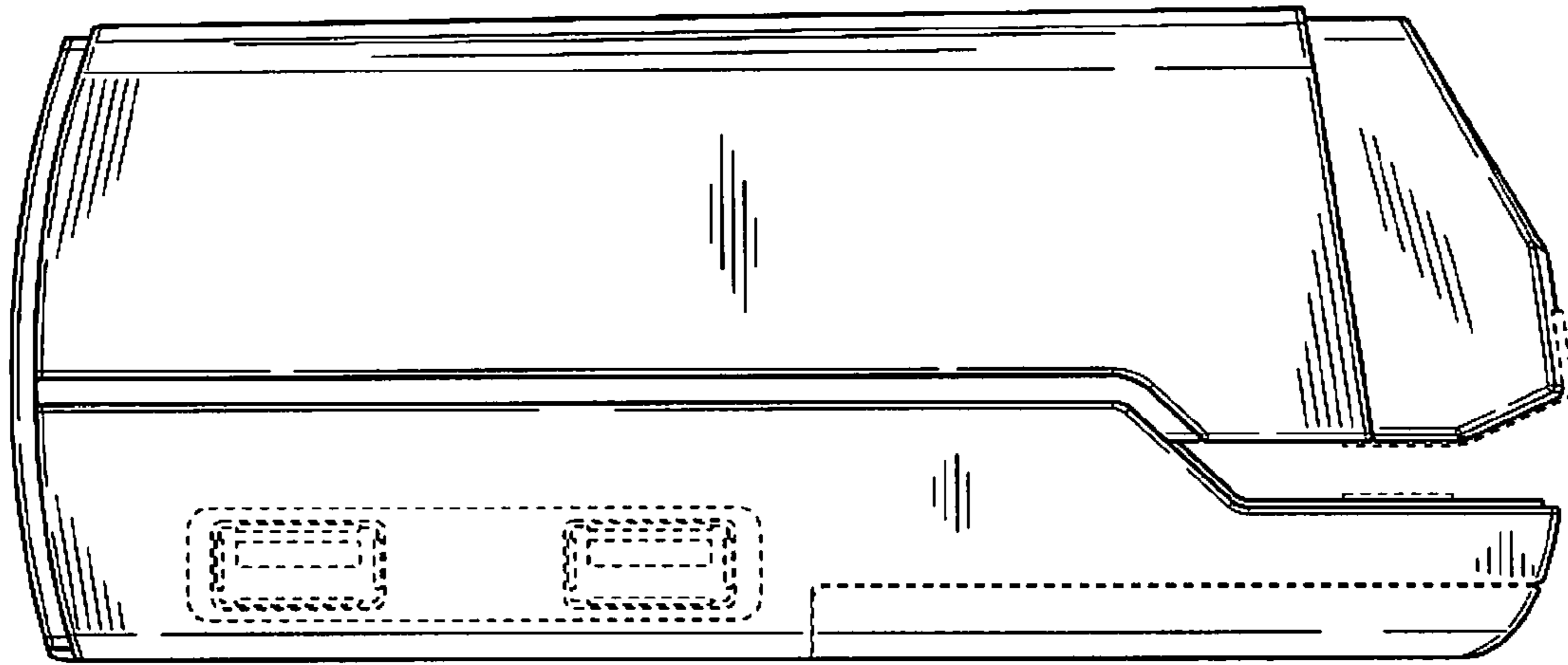


FIG. 4

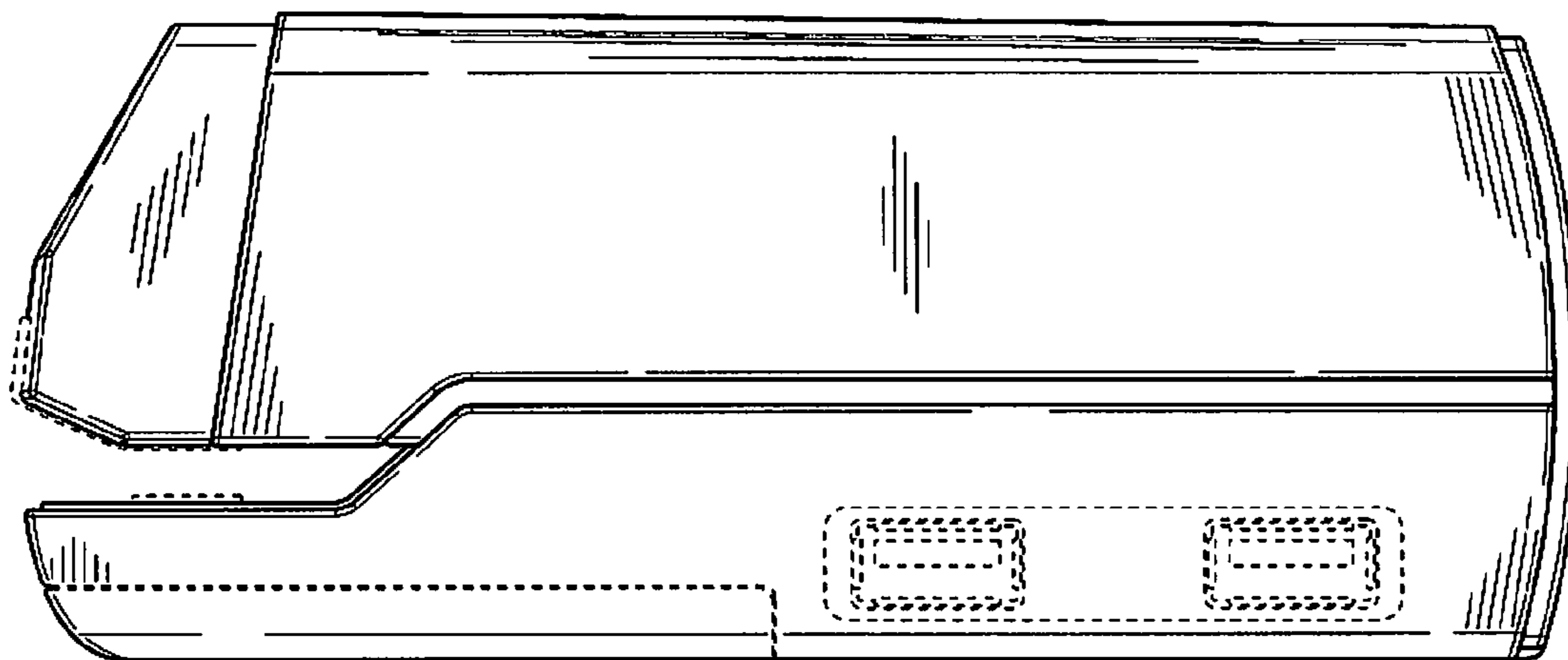


FIG. 5

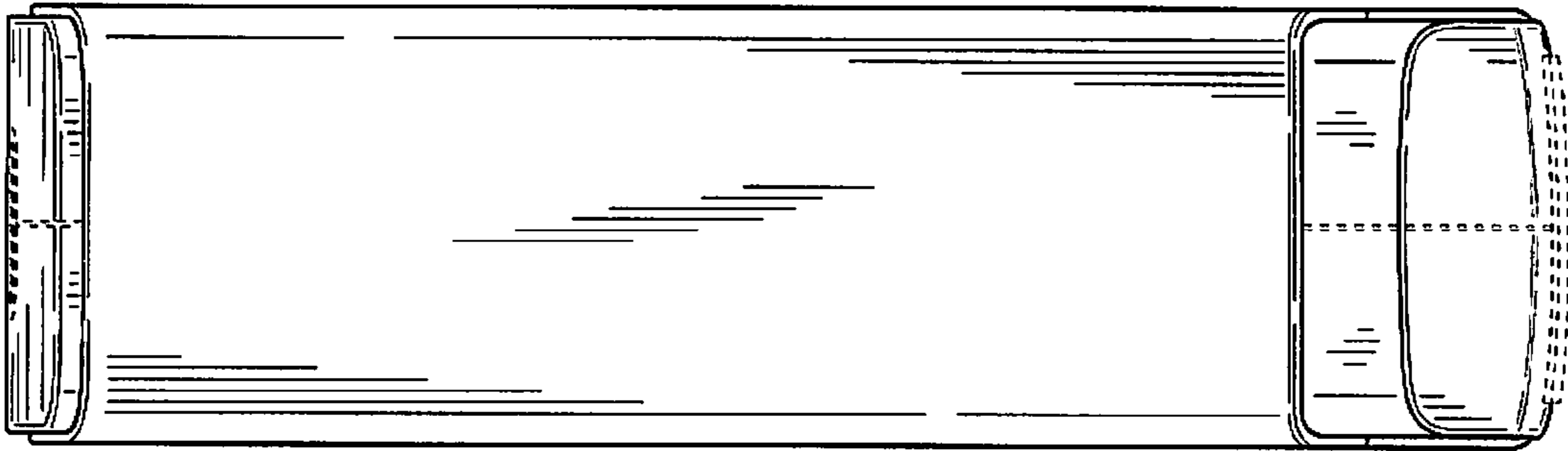


FIG. 6

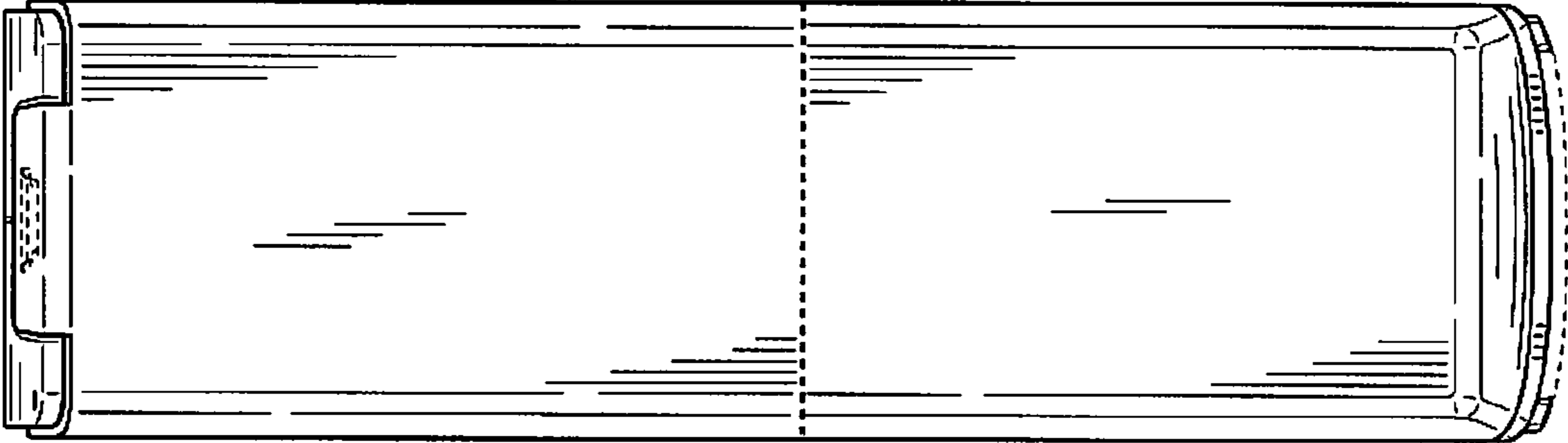


FIG. 7