



US00D581755S

(12) **United States Design Patent**
Hu

(10) **Patent No.:** **US D581,755 S**
(45) **Date of Patent:** **** Dec. 2, 2008**

(54) **WRENCH SOCKET**

(76) Inventor: **Hou-Fei Hu**, No. 22, Lane 52, Sec. 3,
Hui-Lai Road, Hsi-Tun Dist., Taichung
(TW)

(**) Term: **14 Years**

(21) Appl. No.: **29/302,311**

(22) Filed: **Jan. 14, 2008**

(51) **LOC (8) Cl.** **08-05**

(52) **U.S. Cl.** **D8/29**

(58) **Field of Classification Search** D8/21-29,
D8/44, 81-87, 102-107, 98, 99, 55, 93, 94;
81/60-63.2, 177.1, 177.85, 177.8, 489, 125.1,
81/121.1, 119-120, 176.1, 186, 177.9, 185.1,
81/176.2, 165, 170, 3.35, 58, 3.345, 155;
206/378; 16/429, 441, 124.6; 7/100, 138,
7/168, 157; D24/146

See application file for complete search history.

(56) **References Cited**

U.S. PATENT DOCUMENTS

4,328,720 A * 5/1982 Shiel 81/63
5,146,814 A * 9/1992 Vasichek 81/125
D359,669 S * 6/1995 Splingaire D8/29
5,544,555 A * 8/1996 Corley et al. 81/125
D477,198 S * 7/2003 Staton D8/29

6,761,093 B2 * 7/2004 Chang 81/121.1
D506,908 S * 7/2005 Hsien D8/29
7,010,998 B2 * 3/2006 Ying-Hao 81/121.1
D524,615 S * 7/2006 Albertson D8/29
7,104,163 B2 * 9/2006 Hu 81/124.3
D542,106 S * 5/2007 Alsobrook D8/29
D550,529 S * 9/2007 Alsobrook D8/29
2007/0131065 A1 * 6/2007 Shih 81/121.1

* cited by examiner

Primary Examiner—Raphael Barkai
Assistant Examiner—Randall H Gholson

(57) **CLAIM**

The ornamental design for a wrench socket, as shown and described.

DESCRIPTION

FIG. 1 is a perspective view of a wrench socket showing our new design;

FIG. 2 is a front elevational view thereof;

FIG. 3 is a rear elevational view thereof;

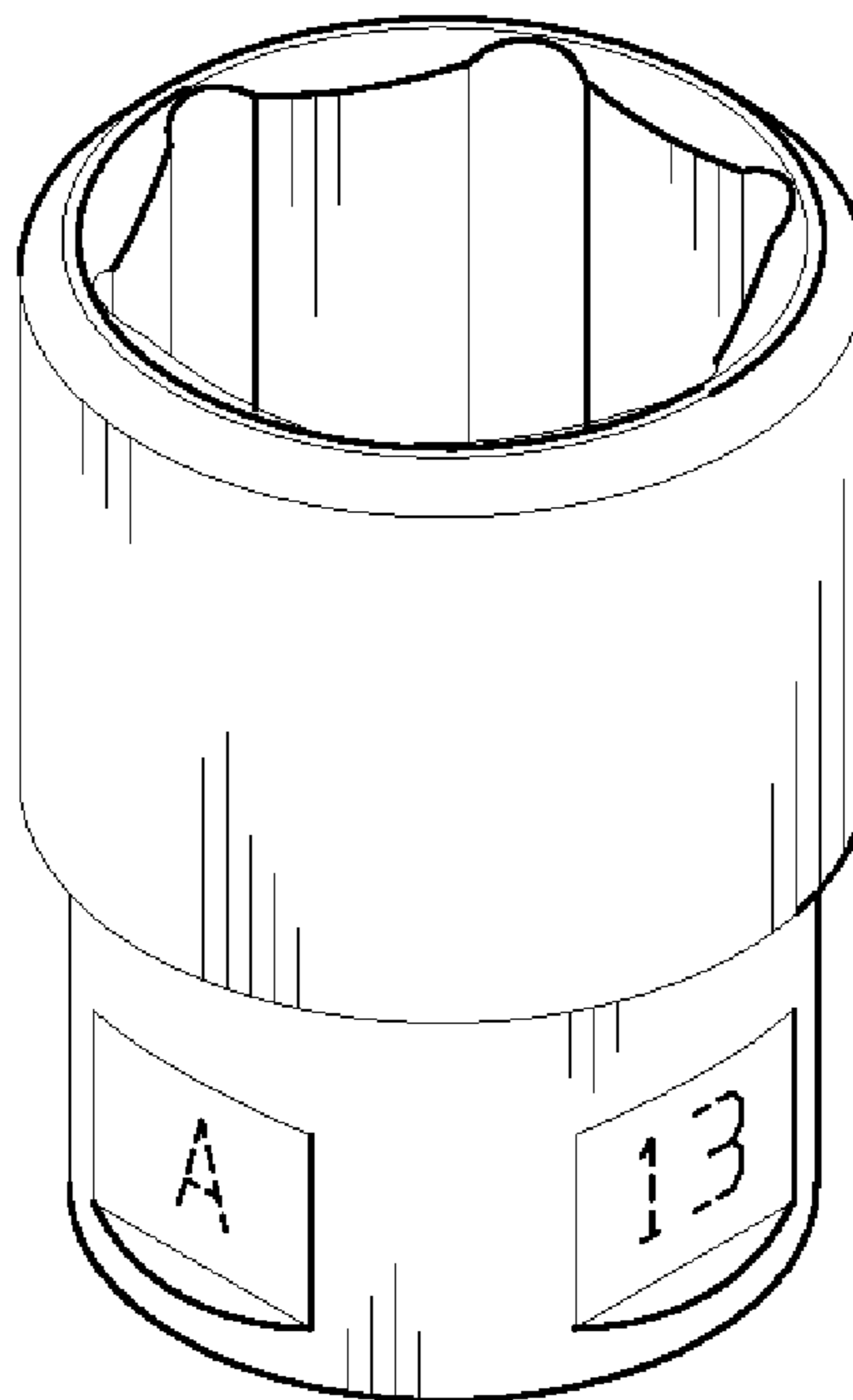
FIG. 4 is a left side elevational view thereof;

FIG. 5 is a right side elevational view thereof;

FIG. 6 is a top view thereof; and,

FIG. 7 is a bottom view thereof.

1 Claim, 7 Drawing Sheets



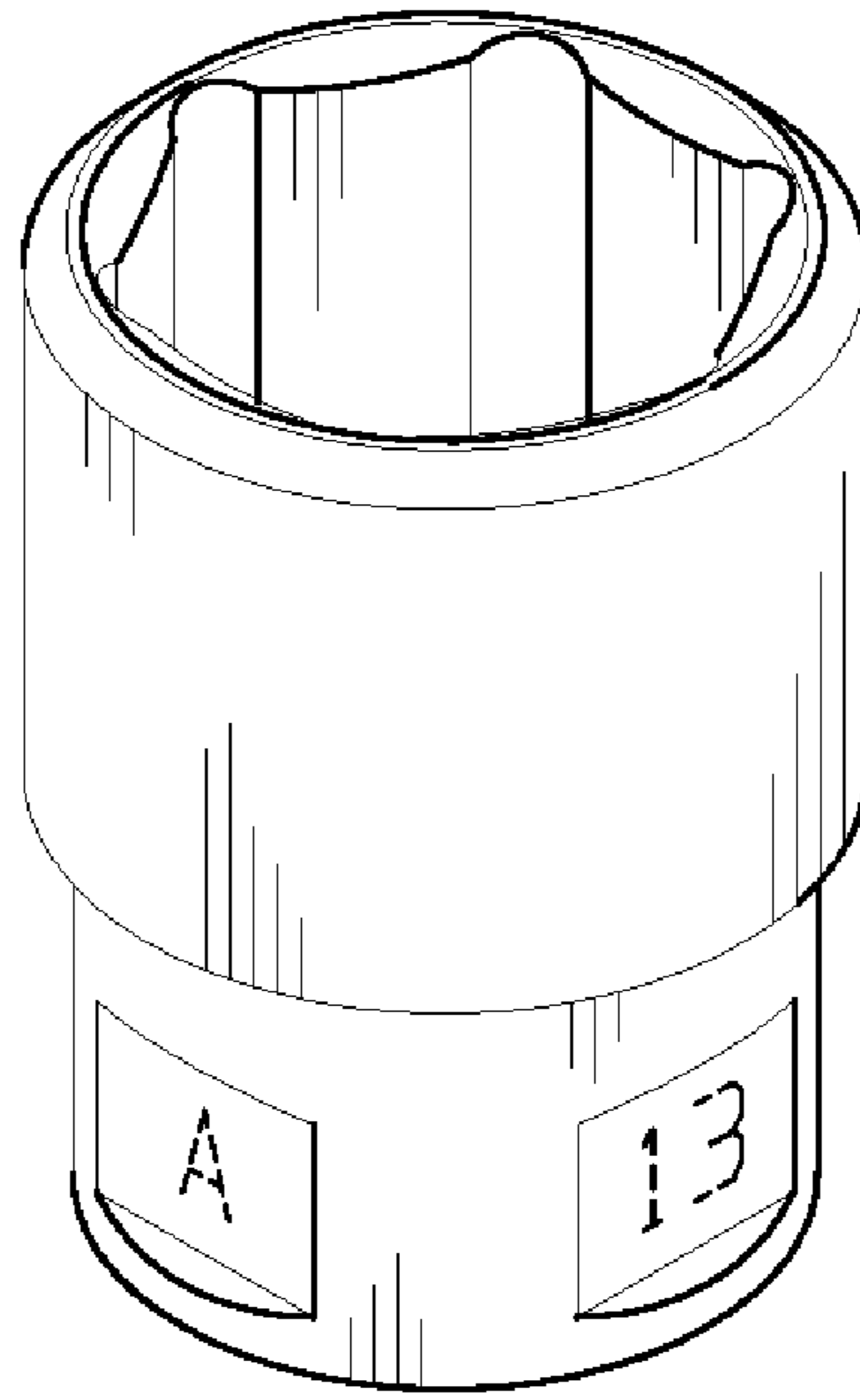


FIG. 1

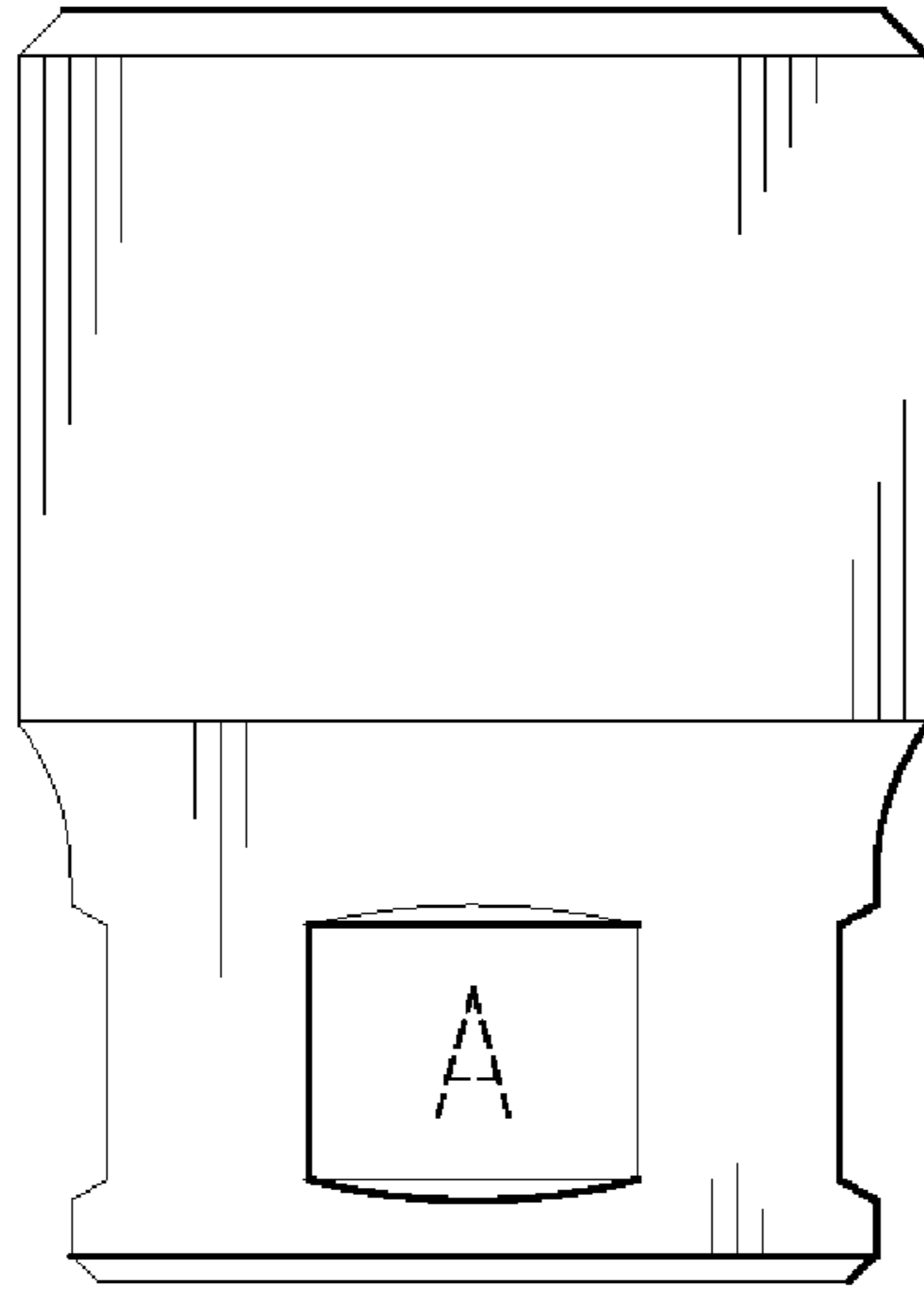


FIG.2

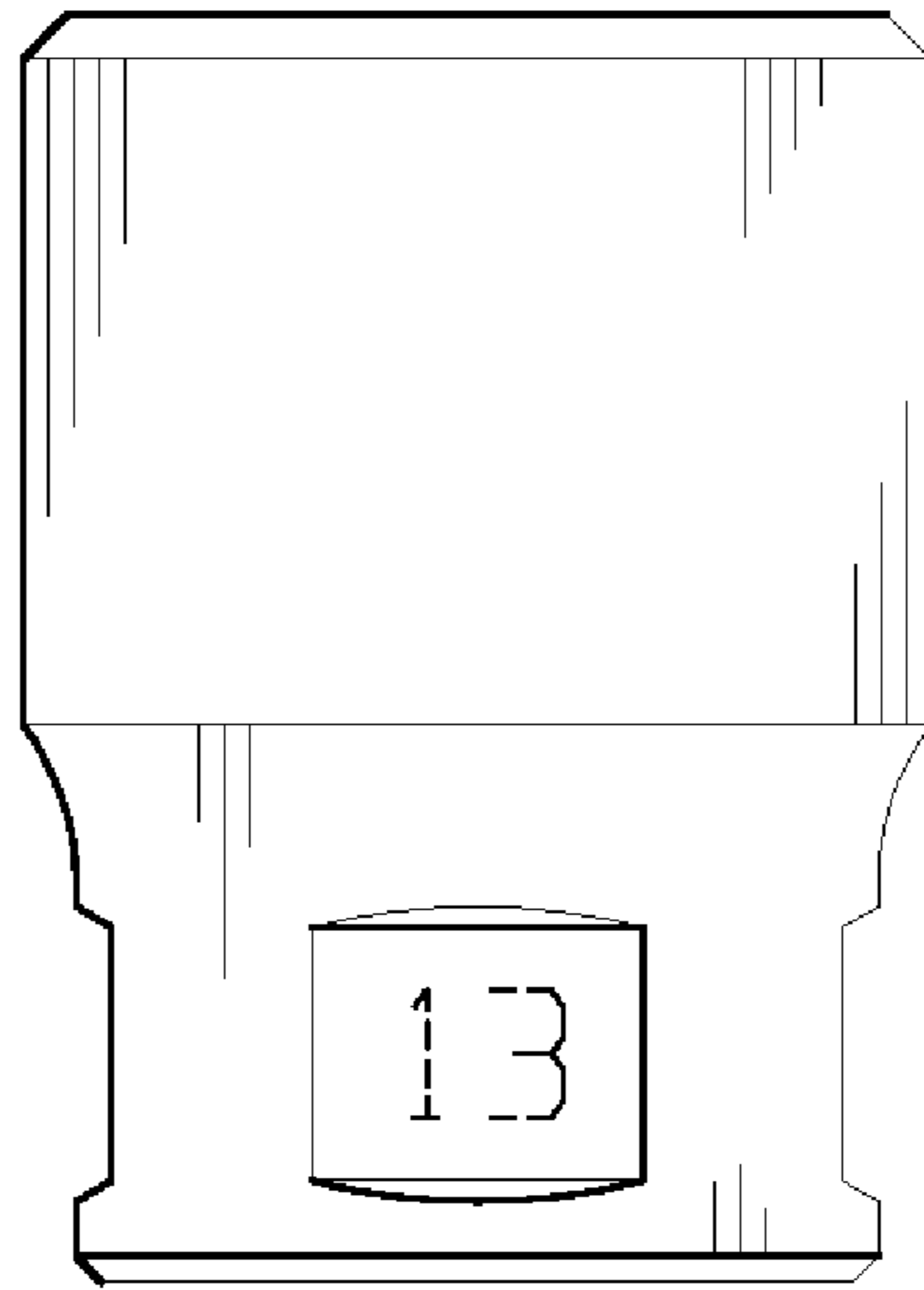


FIG. 3

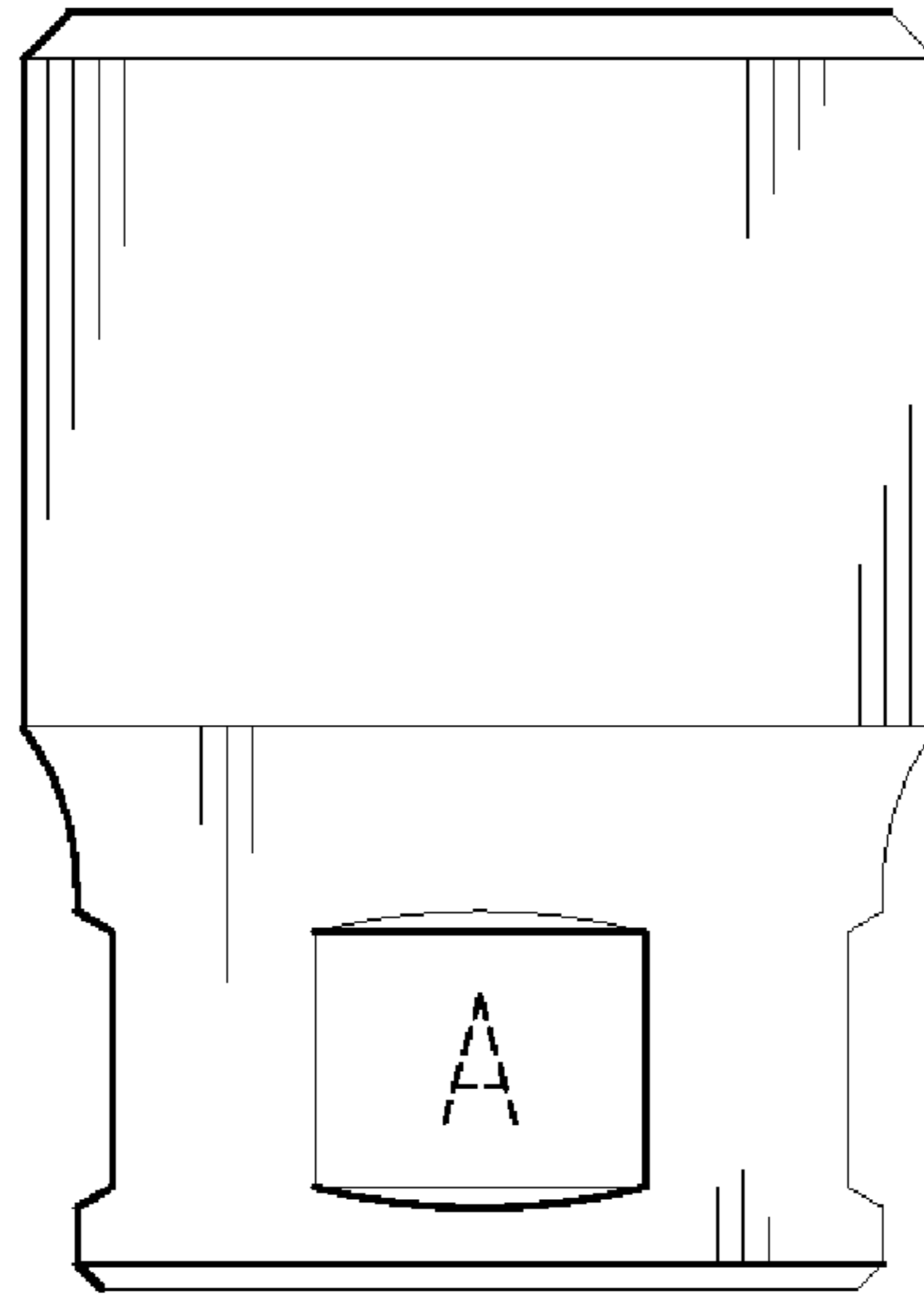


FIG. 4

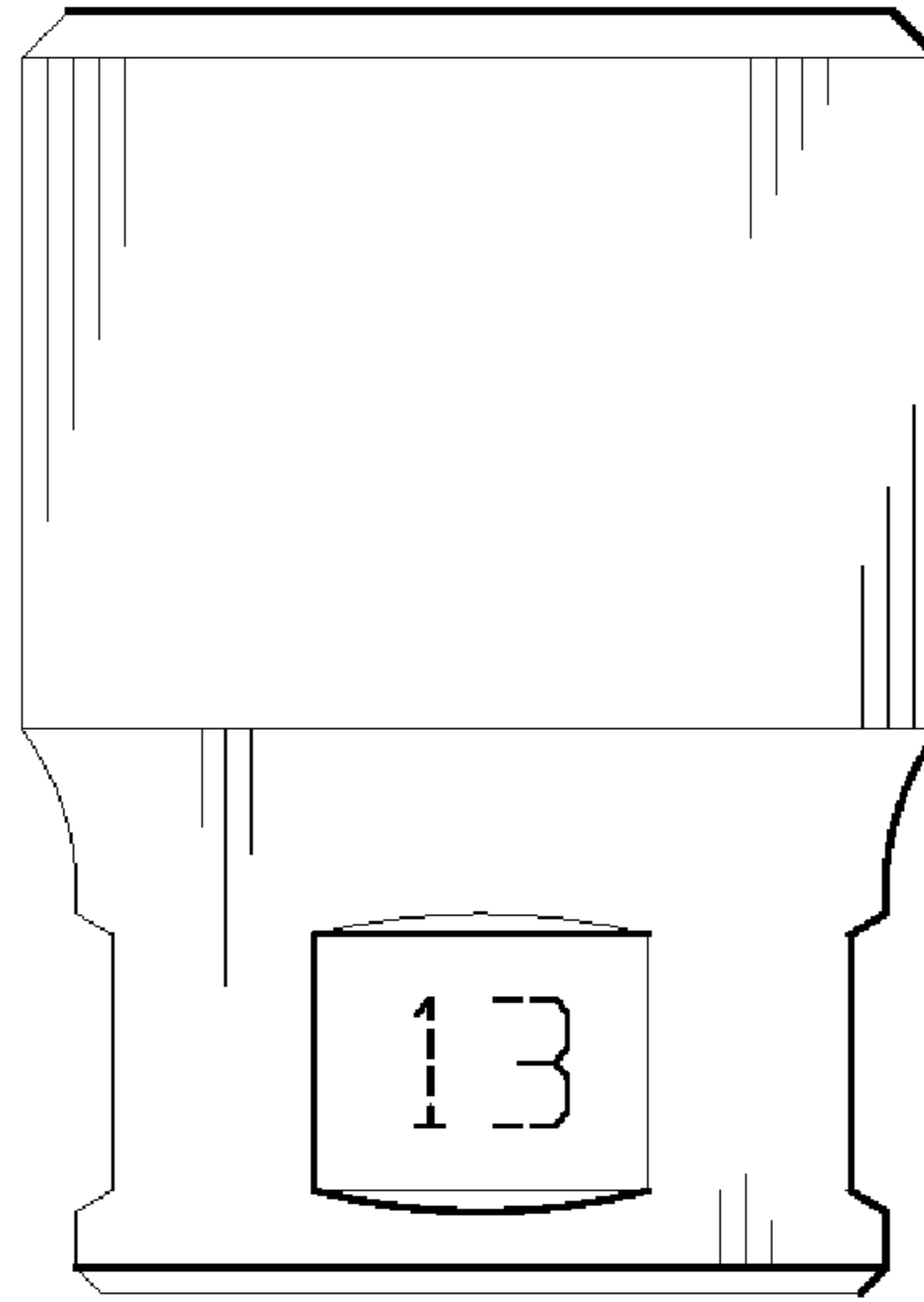


FIG. 5

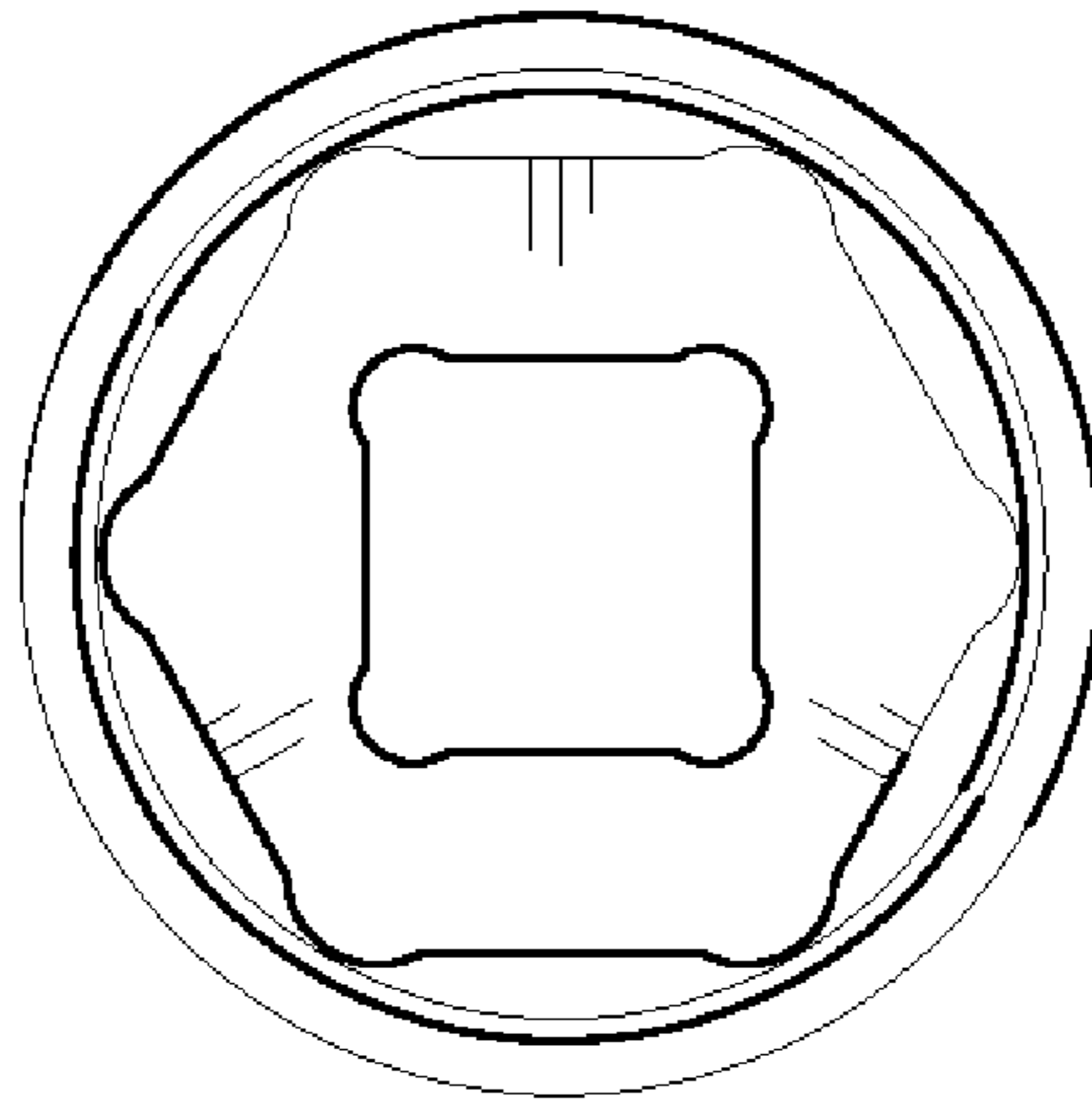


FIG. 6

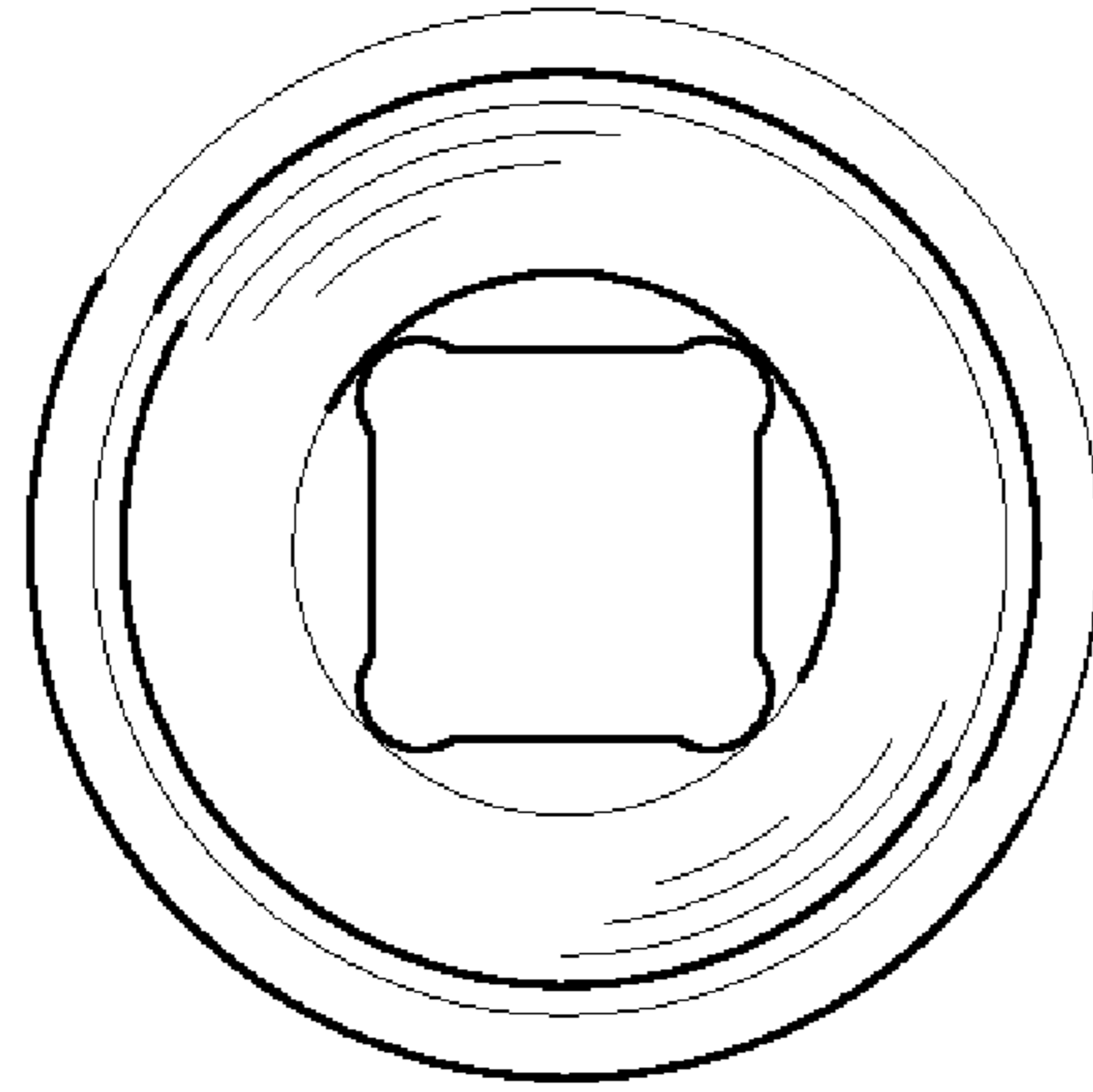


FIG. 7