



US00D581753S

(12) **United States Design Patent**
Harris

(10) **Patent No.:** **US D581,753 S**
(45) **Date of Patent:** **** Dec. 2, 2008**

(54) **COMBINATION TRIMMER AND EDGER**

(75) Inventor: **David Harris**, Rio Oso, CA (US)

(73) Assignee: **Conceptual Marketing & Development, Inc**, Lincoln, CA (US)

(**) Term: **14 Years**

(21) Appl. No.: **29/292,887**

(22) Filed: **Oct. 30, 2007**

(51) **LOC (8) Cl.** **08-01**

(52) **U.S. Cl.** **D8/8**

(58) **Field of Classification Search** D8/8,
D8/9; 30/76, 347; 56/12.7

See application file for complete search history.

(56) **References Cited**

U.S. PATENT DOCUMENTS

D251,699	S	*	5/1979	Averitt	D8/8
4,475,287	A	*	10/1984	Beihoffer	30/276
5,295,306	A	*	3/1994	Sugihara et al.	30/276
D398,817	S	*	9/1998	Meisner et al.	D8/8
D508,831	S	*	8/2005	Schnittker	D8/8
7,275,325	B2	*	10/2007	Warashina et al.	30/276
D566,493	S	*	4/2008	Wang	D8/8

* cited by examiner

Primary Examiner—Holly H Baynham

Assistant Examiner—Sheryl Lane

(74) *Attorney, Agent, or Firm*—Temmerman Law Office;
Mathew J. Temmerman

(57) **CLAIM**

The ornamental design for a combination trimmer and edger, as shown and described.

DESCRIPTION

FIG. 1 is a perspective view of a combination trimmer and edger showing the applicant's new design;

FIG. 2 is an enlarged left side plan view thereof, the right side being a mirror image thereof;

FIG. 3 is an enlarged top plan view thereof;

FIG. 4 is an enlarged bottom plan view thereof; and,

FIG. 5 is an enlarged end view thereof.

Portions of the shaft portion in FIG. 2 have been removed for convenience of illustration.

The shaft portion of FIGS. 3–4 is shown broken-away for convenience of illustration.

The broken lines are for illustrative purposes only, and form no part of the claimed design.

1 Claim, 4 Drawing Sheets

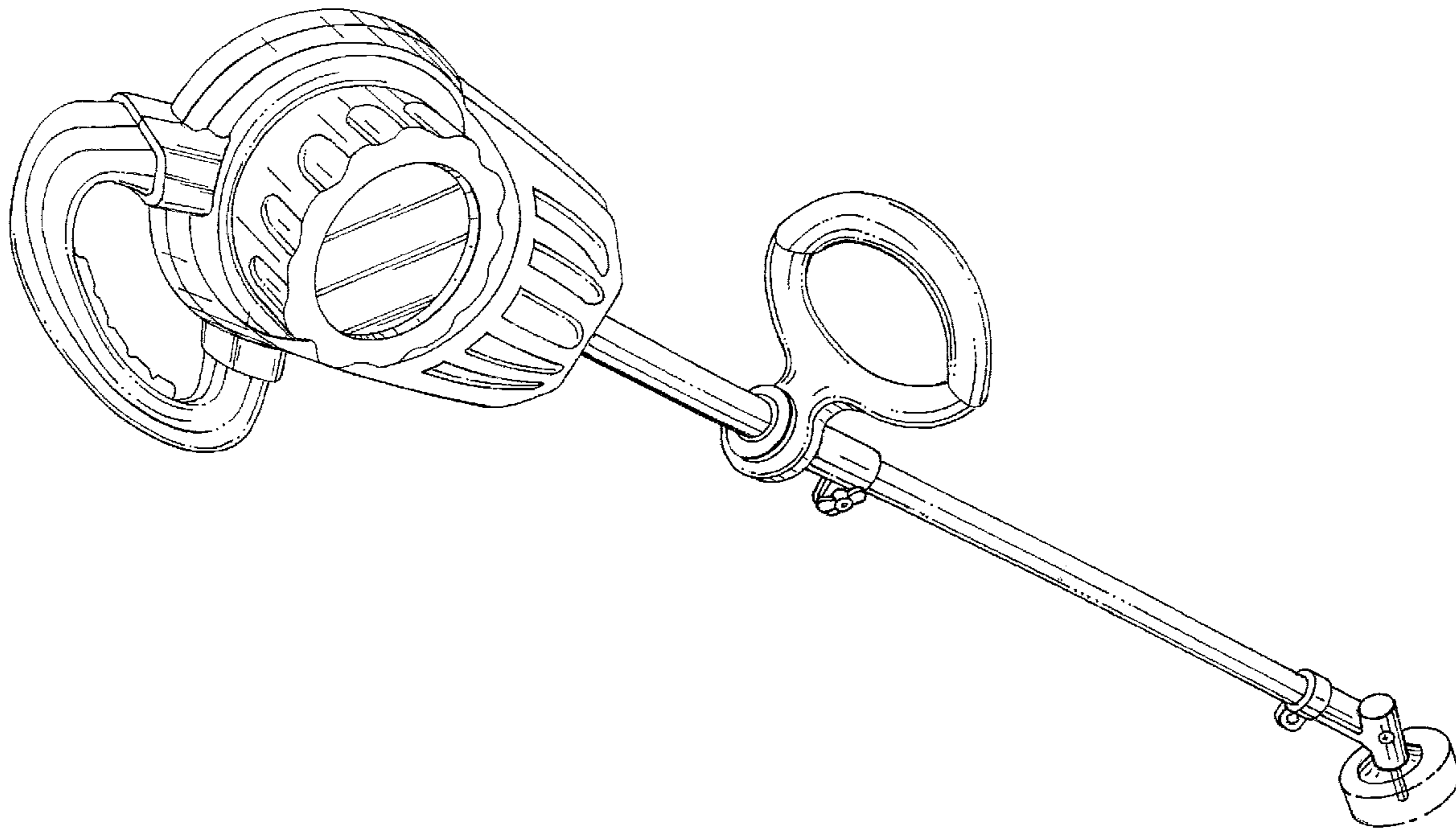
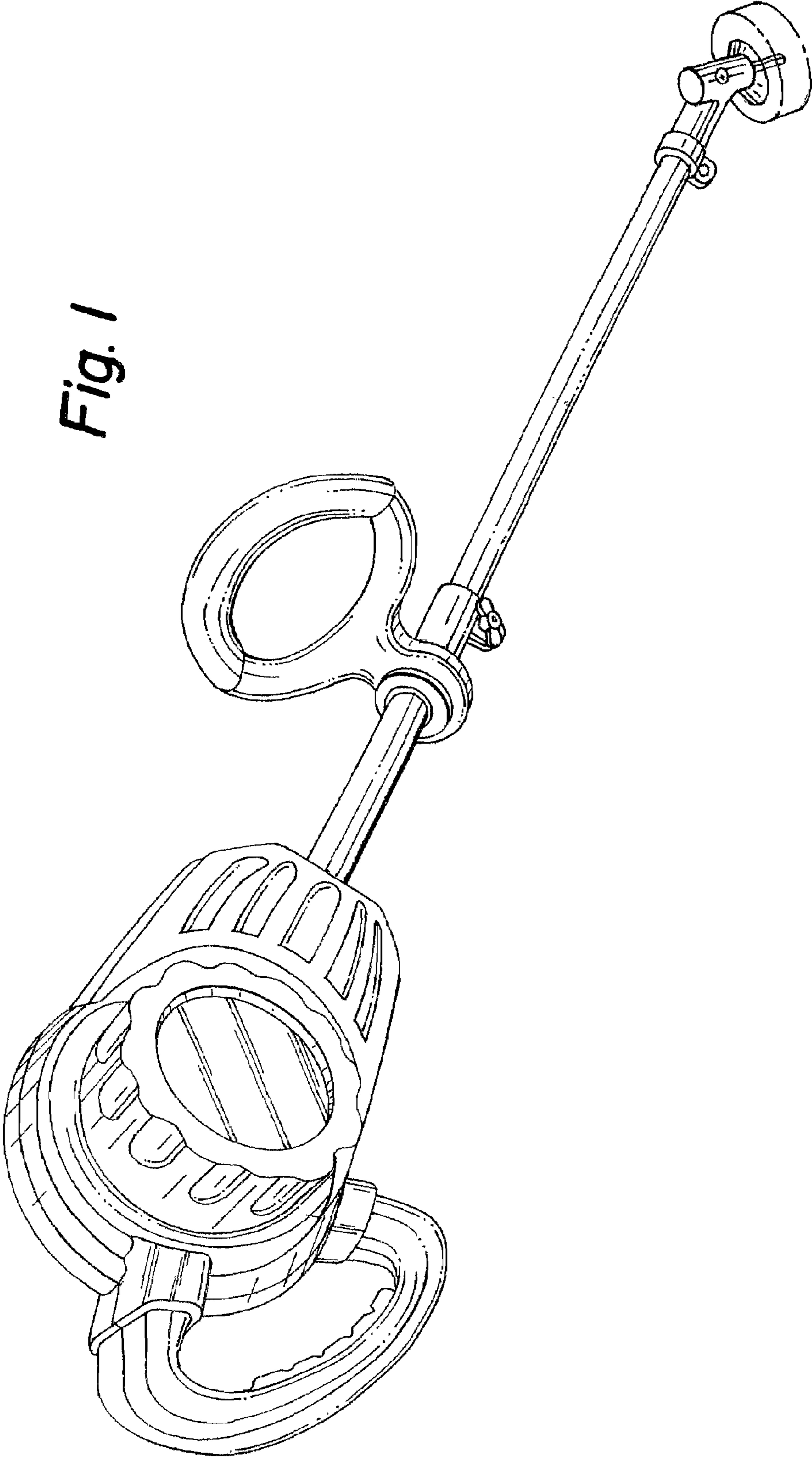


Fig. 1



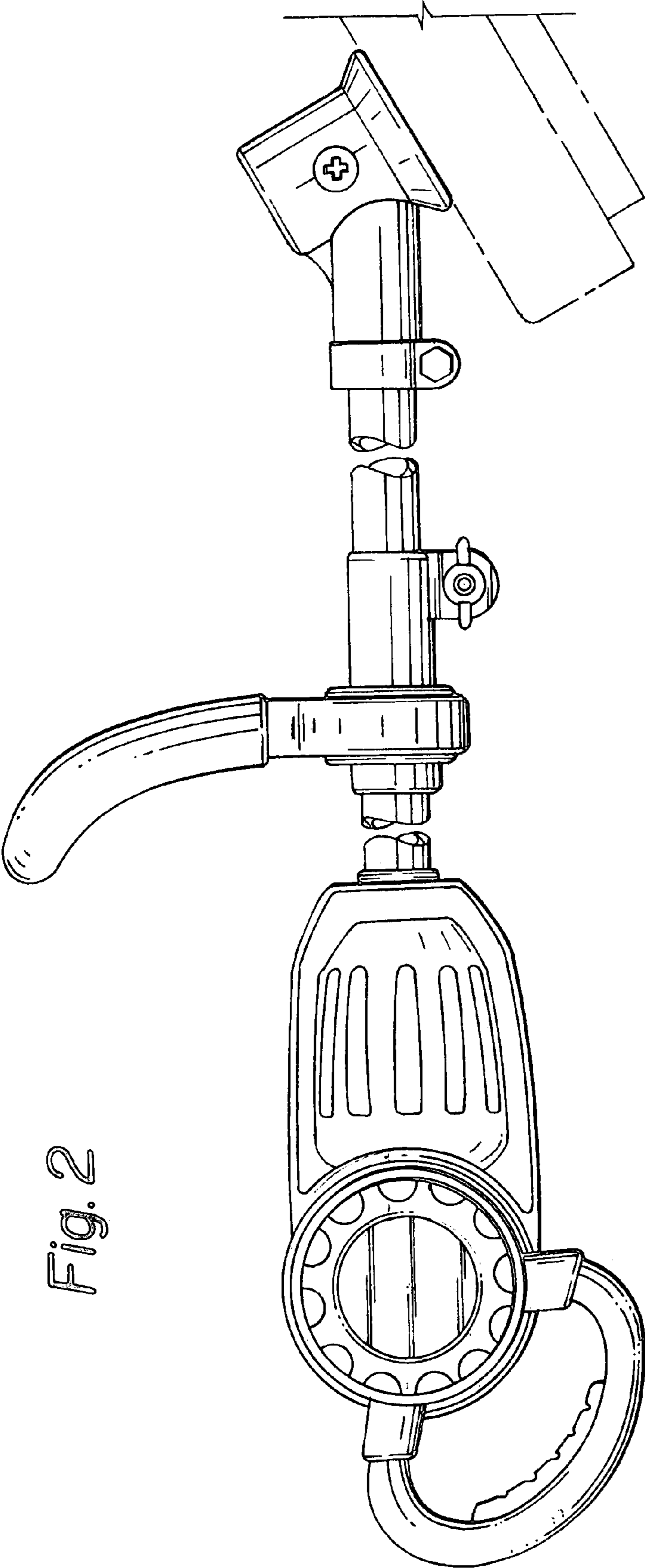


Fig. 2

Fig. 3

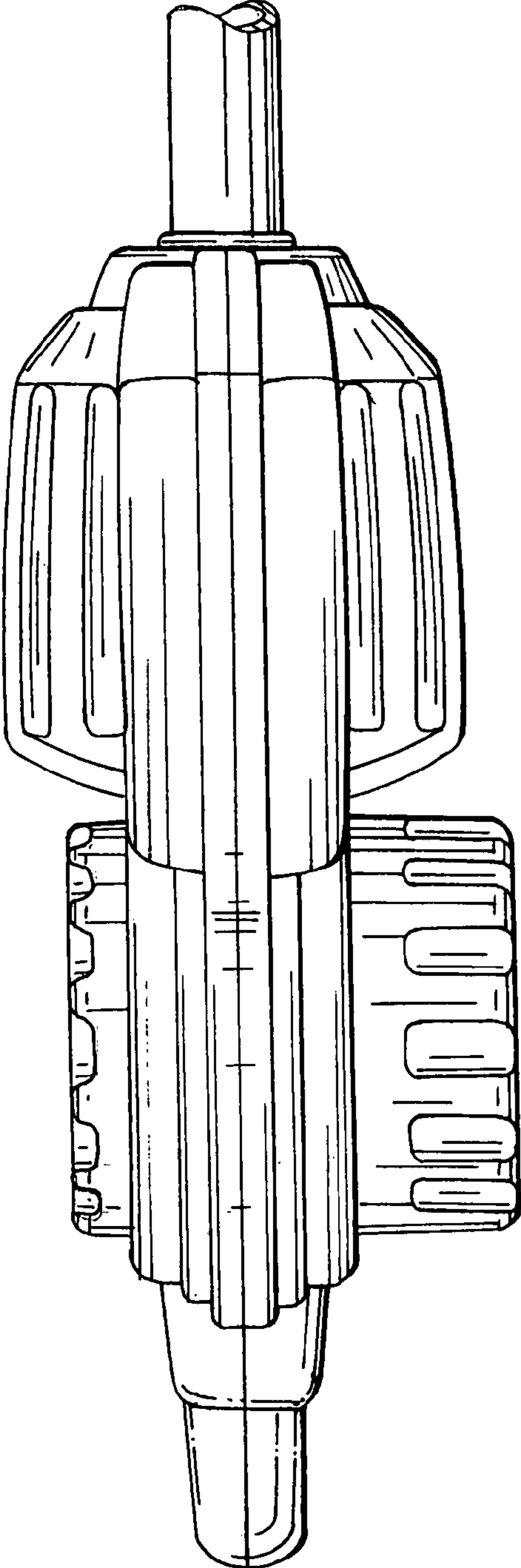
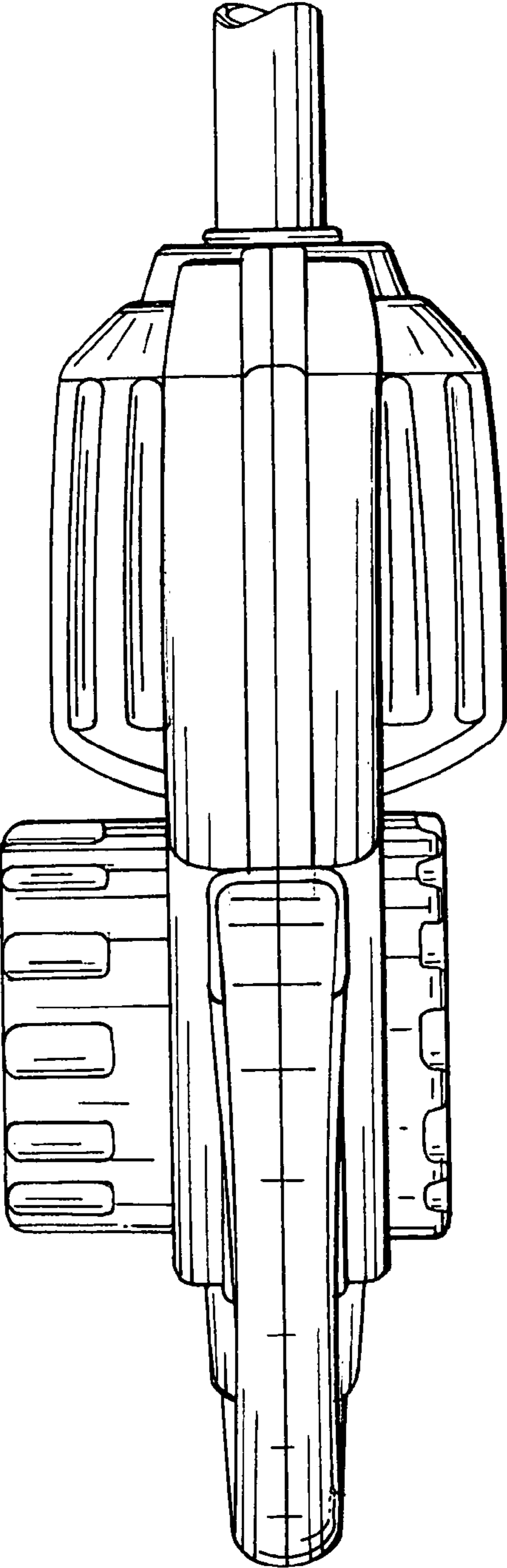


Fig. 4



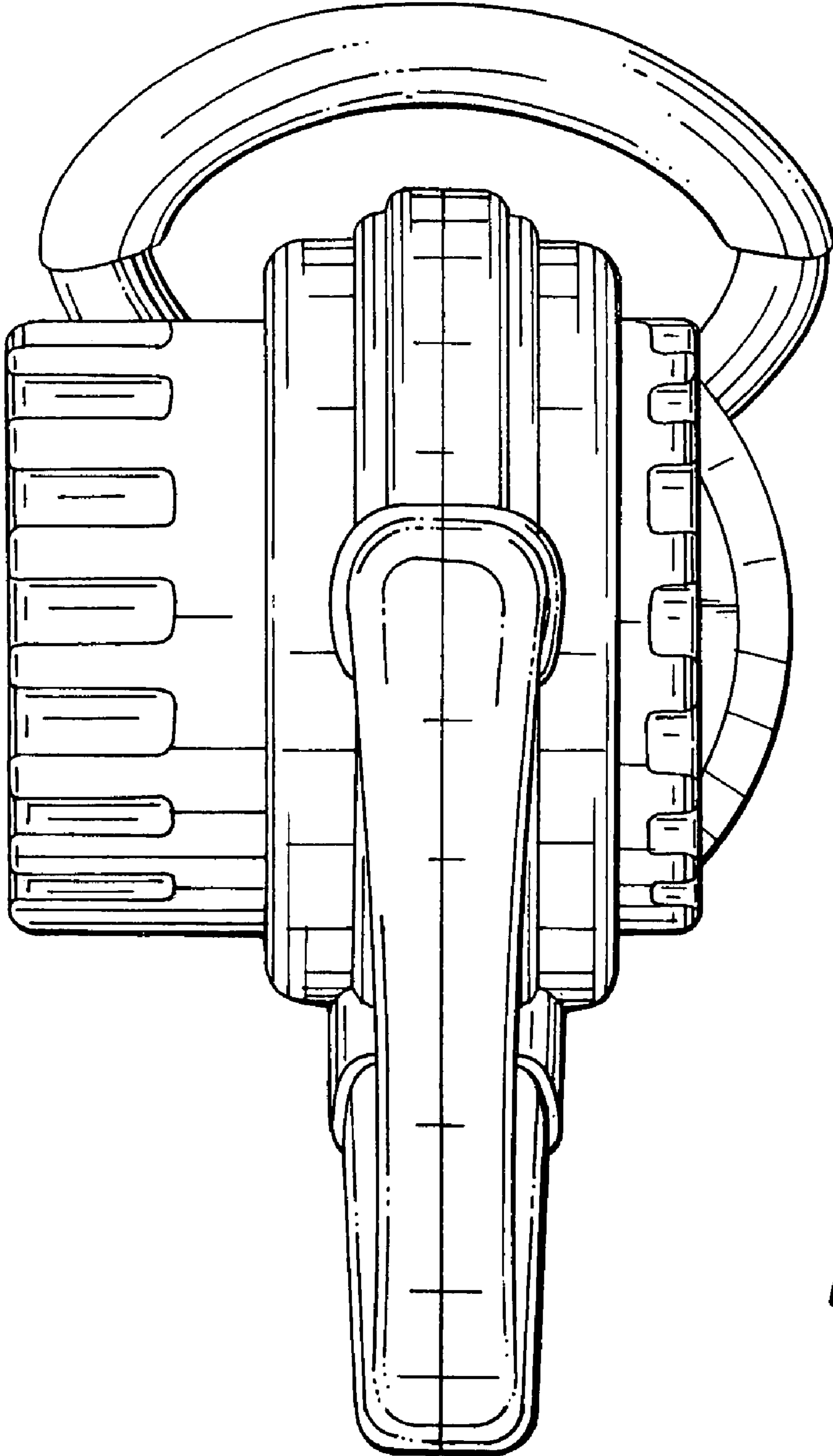


Fig. 5