



US00D581750S

(12) **United States Design Patent**  
**de Groote**

(10) **Patent No.:** **US D581,750 S**  
(45) **Date of Patent:** **\*\* Dec. 2, 2008**

(54) **CONDIMENT MILL**

(75) Inventor: **Jan-Hendrik de Groote**, Haaltert (BE)

(73) Assignee: **Dart Industries Inc.**, Orlando, FL (US)

(\*\*) Term: **14 Years**

(21) Appl. No.: **29/287,566**

(22) Filed: **Aug. 23, 2007**

(51) **LOC (8) Cl.** ..... **07-04**

(52) **U.S. Cl.** ..... **D7/679; D7/597**

(58) **Field of Classification Search** ..... D7/590–598,  
D7/372–374, 383, 384, 679; D9/549, 559,  
D9/562; 222/480–482, 142.1–142.9; 241/168,  
241/169, 169.1, 258, 259, 259.1, 273.1–273.4  
See application file for complete search history.

(56) **References Cited**

**U.S. PATENT DOCUMENTS**

3,136,491 A	6/1964	Posmanter	
3,371,874 A	3/1968	Reeves et al.	
D212,589 S *	11/1968	Roberts	..... D7/597
3,991,947 A	11/1976	Schlessel	
4,026,490 A	5/1977	Johansson	
4,135,672 A	1/1979	Schlessel	
4,139,161 A	2/1979	Hupperich	
D269,489 S *	6/1983	Akita	..... D7/372
D269,580 S *	7/1983	Bounds	..... D7/679
D284,252 S	6/1986	Lichtenvort	

4,960,246 A	10/1990	Fohrman	
D352,640 S	11/1994	Kibbe	
6,196,481 B1	3/2001	Barbagli	
6,247,661 B1	6/2001	Chainani	
D446,692 S *	8/2001	Bodum	..... D7/679
D455,324 S *	4/2002	Wright	..... D7/679
6,443,377 B1 *	9/2002	Cheng	..... 241/169.1
D484,371 S *	12/2003	Tang et al.	..... D7/679
6,655,616 B1	12/2003	Wagner	
6,663,031 B2 *	12/2003	Henderson et al.	..... 241/169.1
D486,702 S	2/2004	Sorensen	
6,929,201 B1	8/2005	Blouse et al.	
2006/0278746 A1	12/2006	Delbridge et al.	

\* cited by examiner

*Primary Examiner*—Terry A Wallace

(74) *Attorney, Agent, or Firm*—John A. Doninger

(57) **CLAIM**

The ornamental design for a condiment mill, as shown and described.

**DESCRIPTION**

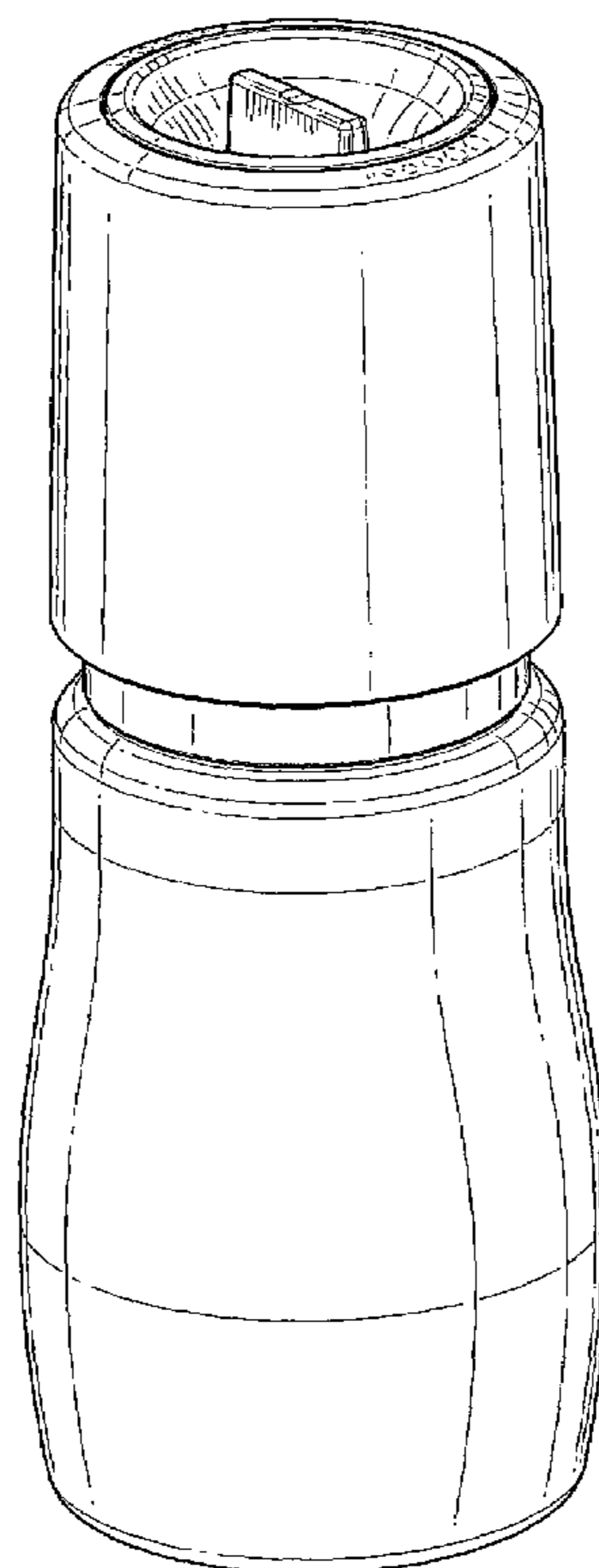
FIG. 1 is a perspective view of the condiment mill showing my new design;

FIG. 2 is a front elevation view thereof; the rear, the right side, and the left side elevation views being identical thereto;

FIG. 3 is a top plan view thereof; and,

FIG. 4 is a bottom plan view thereof.

**1 Claim, 1 Drawing Sheet**



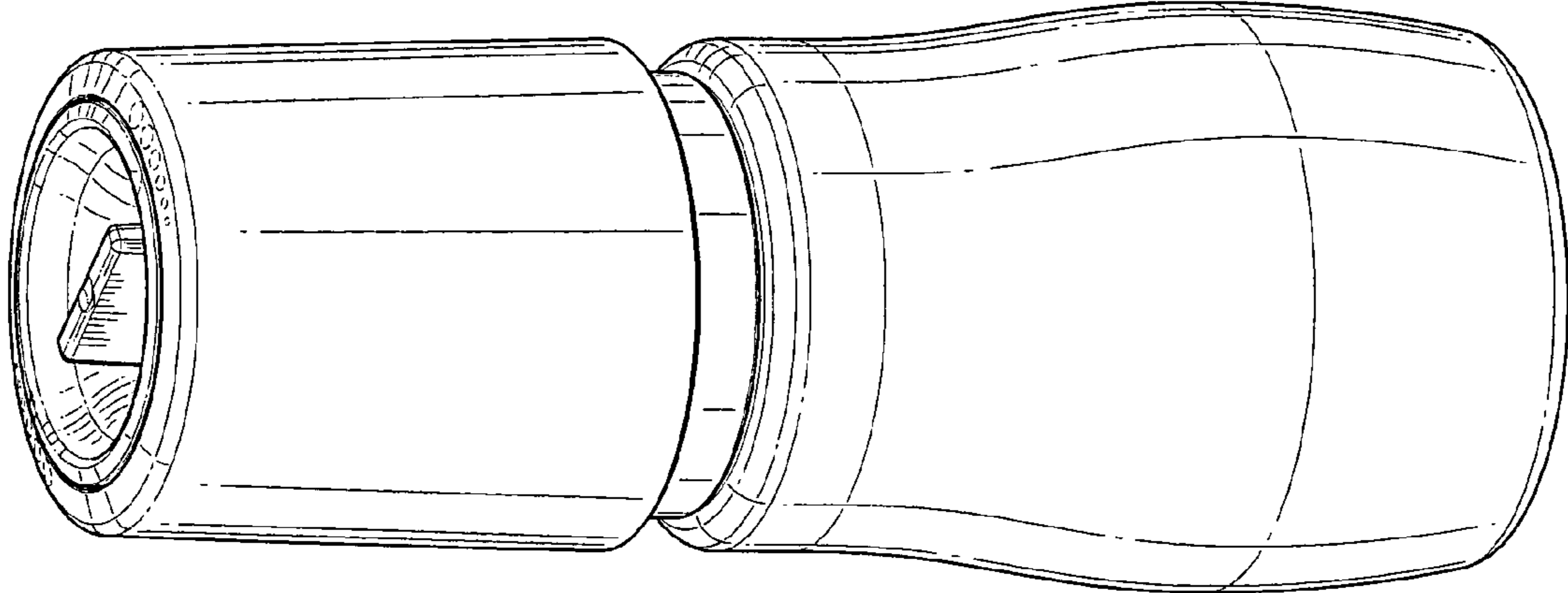


FIG. 1

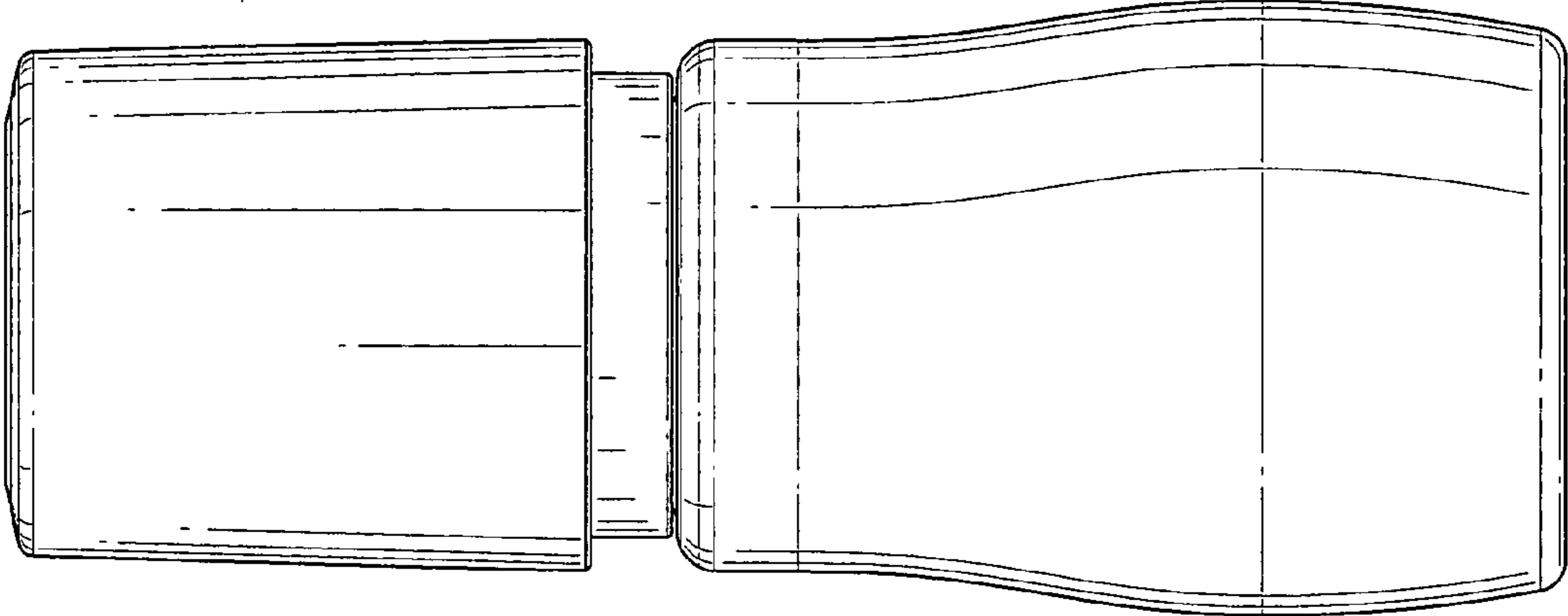


FIG. 2

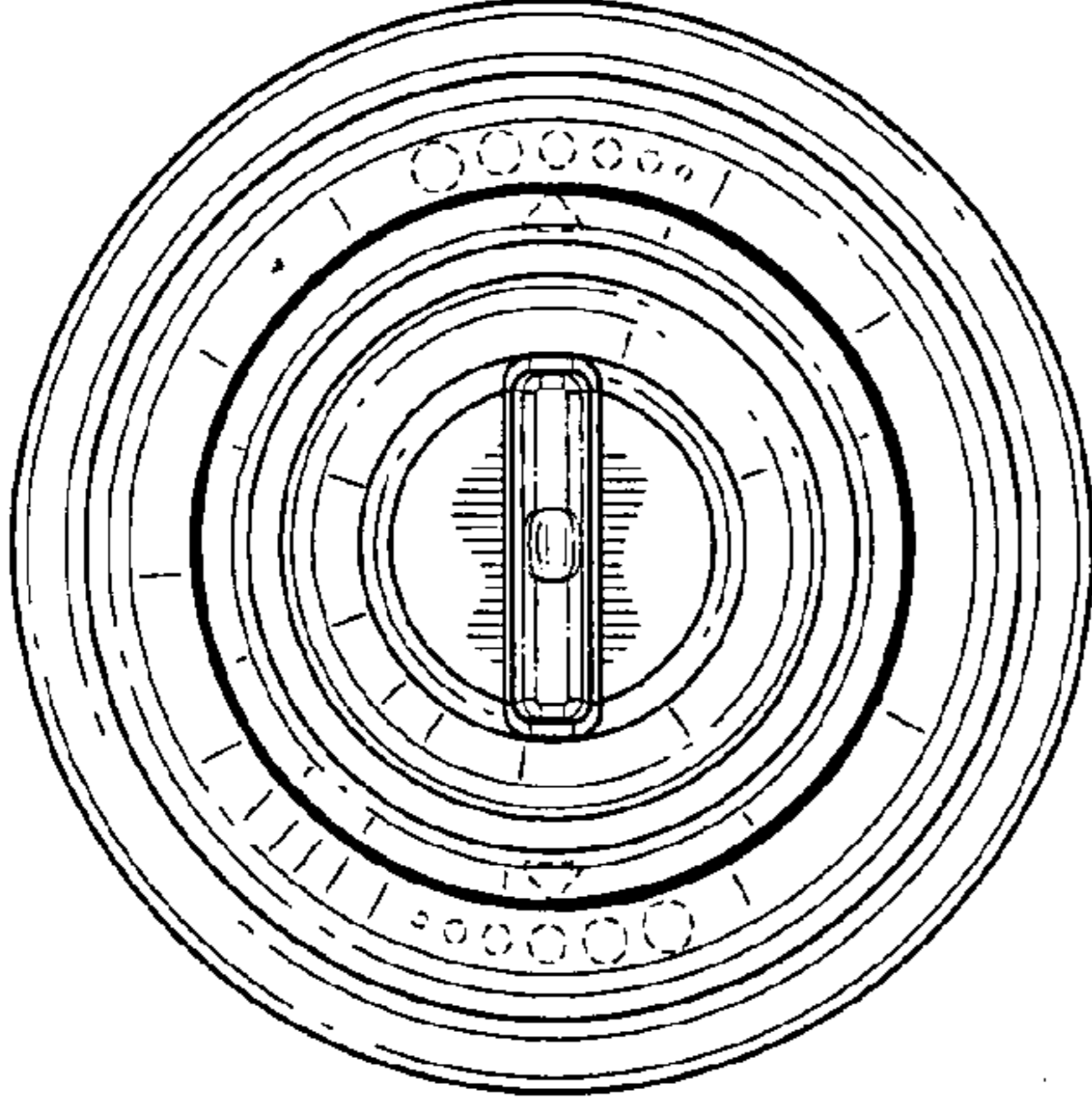


FIG. 3

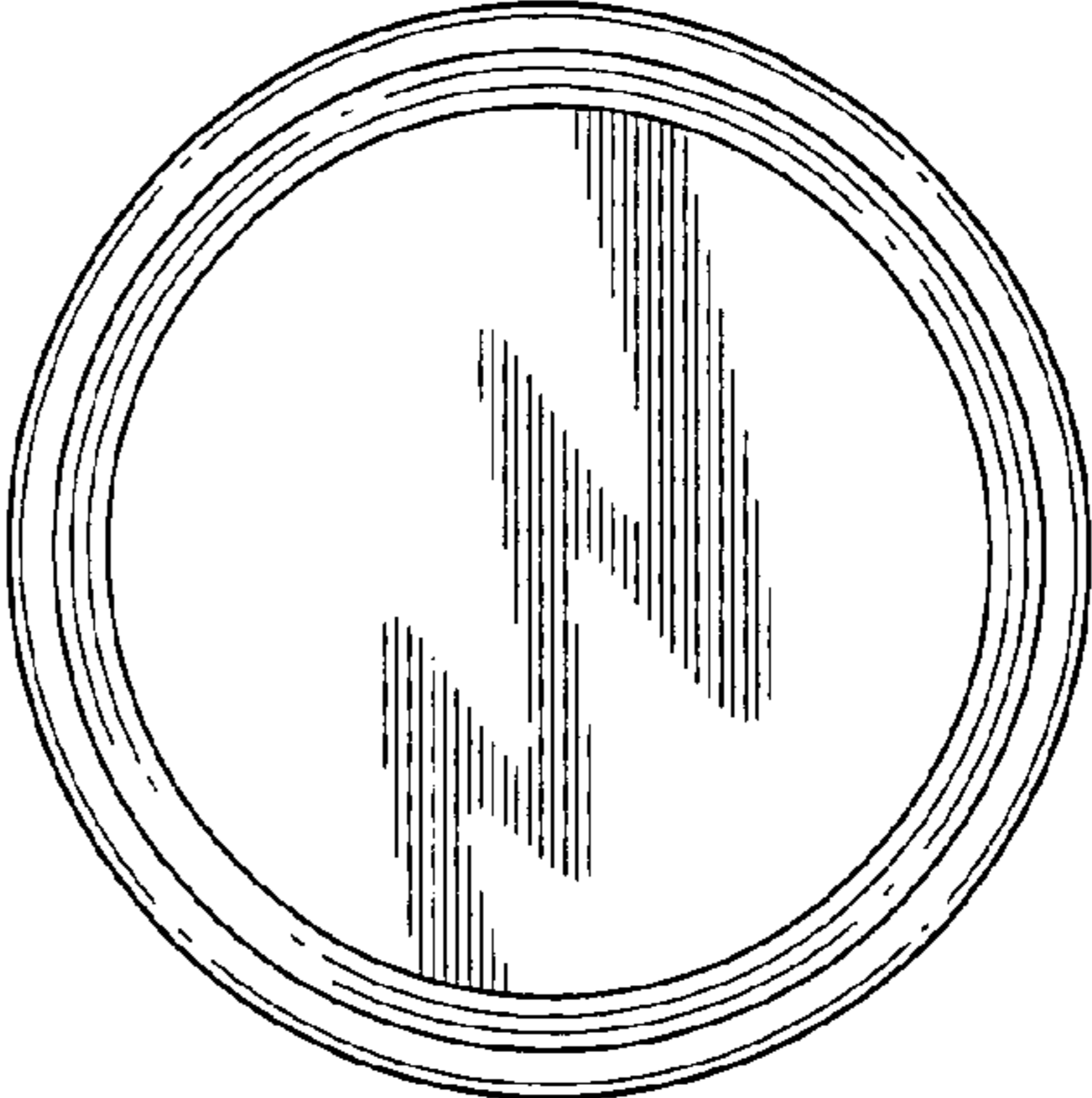


FIG. 4