



US00D581749S

(12) **United States Design Patent**
de Groote

(10) **Patent No.:** **US D581,749 S**

(45) **Date of Patent:** **** Dec. 2, 2008**

(54) **FOOD MILL**

D415,938 S * 11/1999 Blaise D7/678
D491,773 S * 6/2004 So D7/678

(75) Inventor: **Jan-Hendrik de Groote**, Haaltert (BE)

* cited by examiner

(73) Assignee: **Dart Industries Inc.**, Orlando, FL (US)

Primary Examiner—Terry A Wallace

(**) Term: **14 Years**

(57) **CLAIM**

(21) Appl. No.: **29/293,198**

The ornamental design for a food mill, as shown and described.

(22) Filed: **Nov. 9, 2007**

(51) **LOC (8) Cl.** **07-04**

(52) **U.S. Cl.** **D7/678; D7/669**

(58) **Field of Classification Search** D7/678,
D7/693, 372, 373, 374, 383; 99/494, 495,
99/510; 241/37.5, 92, 95, 273.1–273.4, 168,
241/169, 169.1

See application file for complete search history.

DESCRIPTION

FIG. 1 is a top, side and front perspective view of a food mill showing my new design;

FIG. 2 is a front elevation view, the rear elevation being a mirror image thereof;

FIG. 3 is a right side elevation view thereof;

FIG. 4 is a left side elevation view thereof;

FIG. 5 is a top plan view thereof; and,

FIG. 6 is a bottom plan view thereof.

(56) **References Cited**

U.S. PATENT DOCUMENTS

2,639,748 A * 5/1953 Peel 241/273.1
5,735,193 A * 4/1998 Chang 99/494

1 Claim, 5 Drawing Sheets

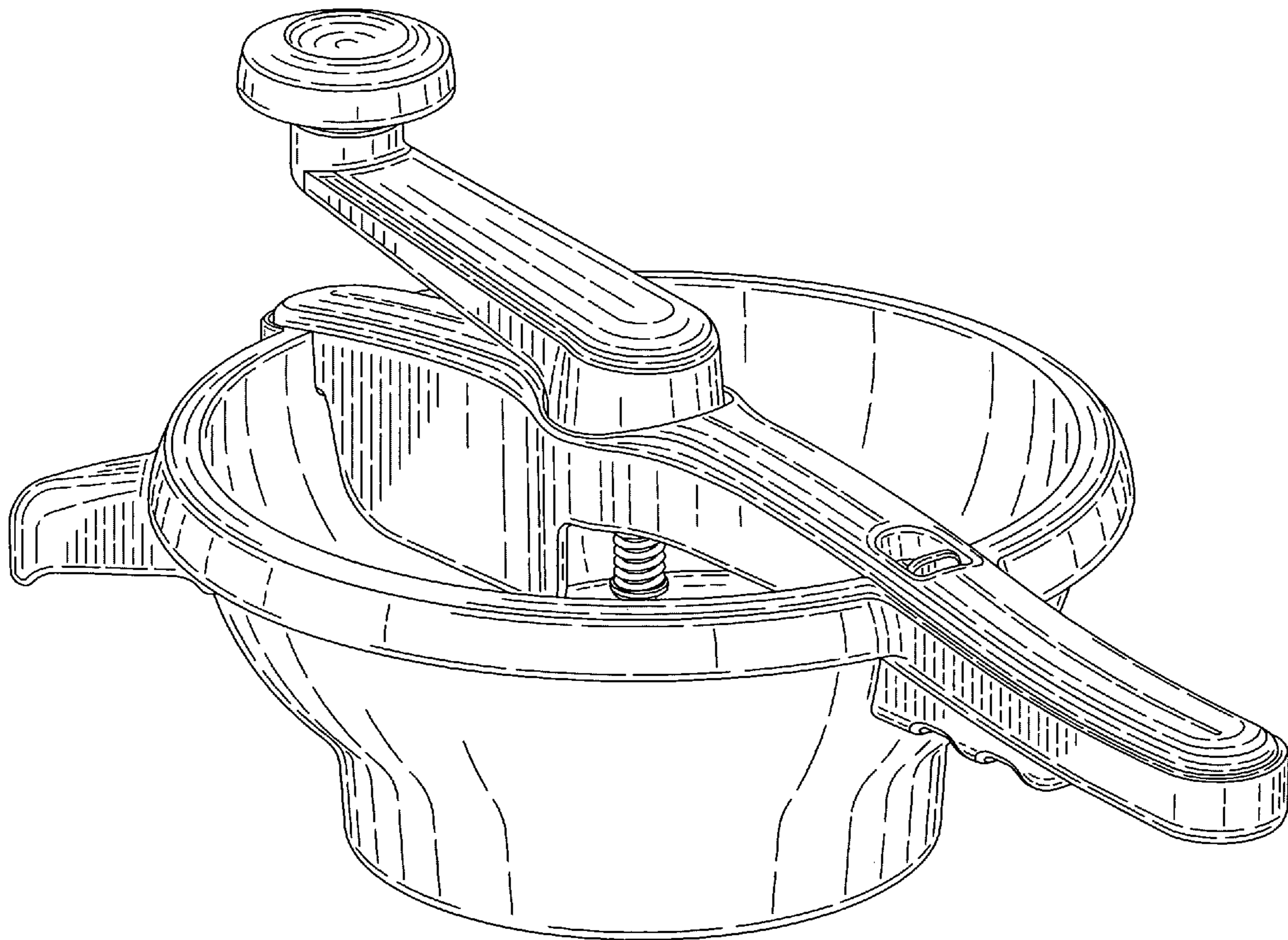
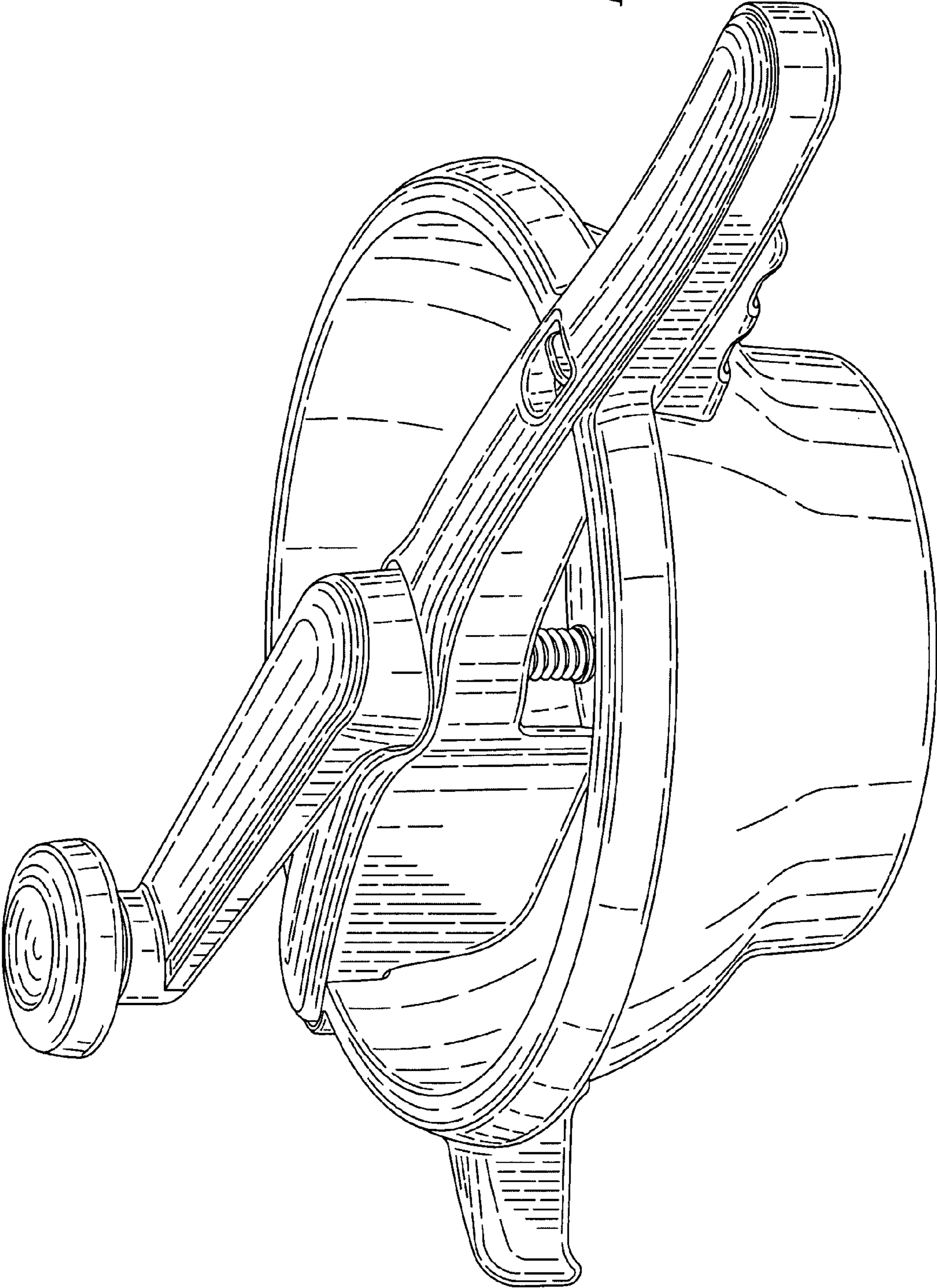


FIG. 1



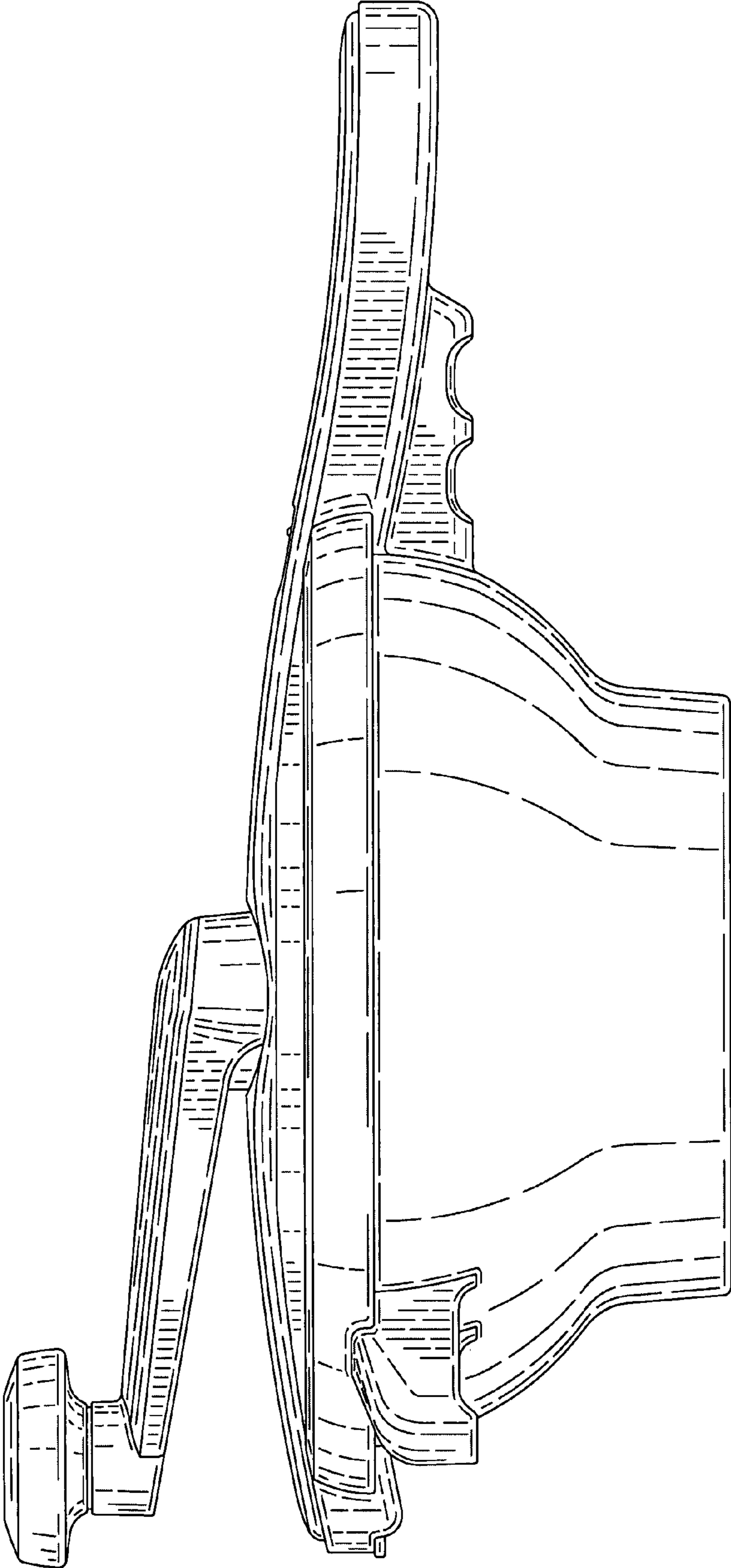


FIG. 2

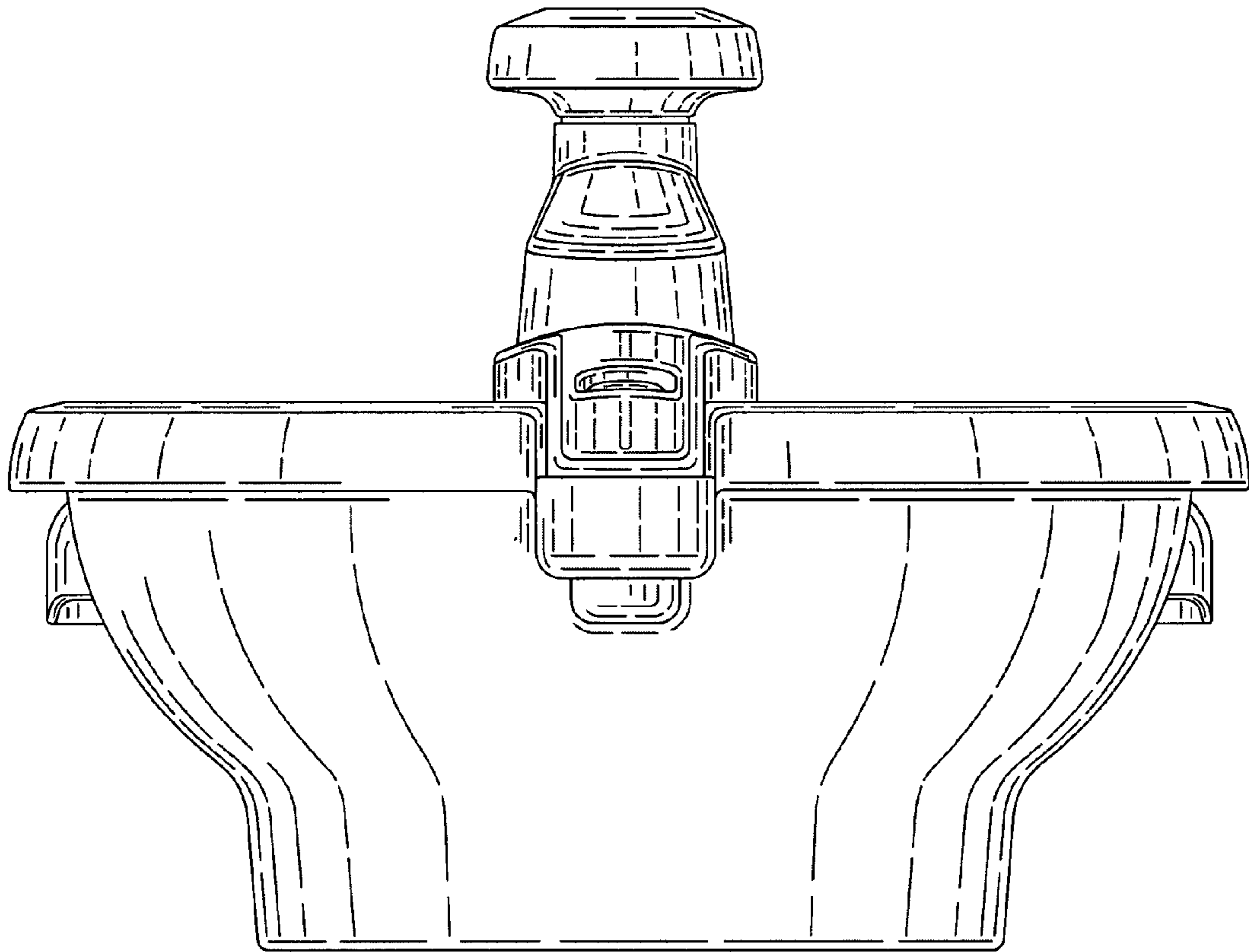


FIG. 3

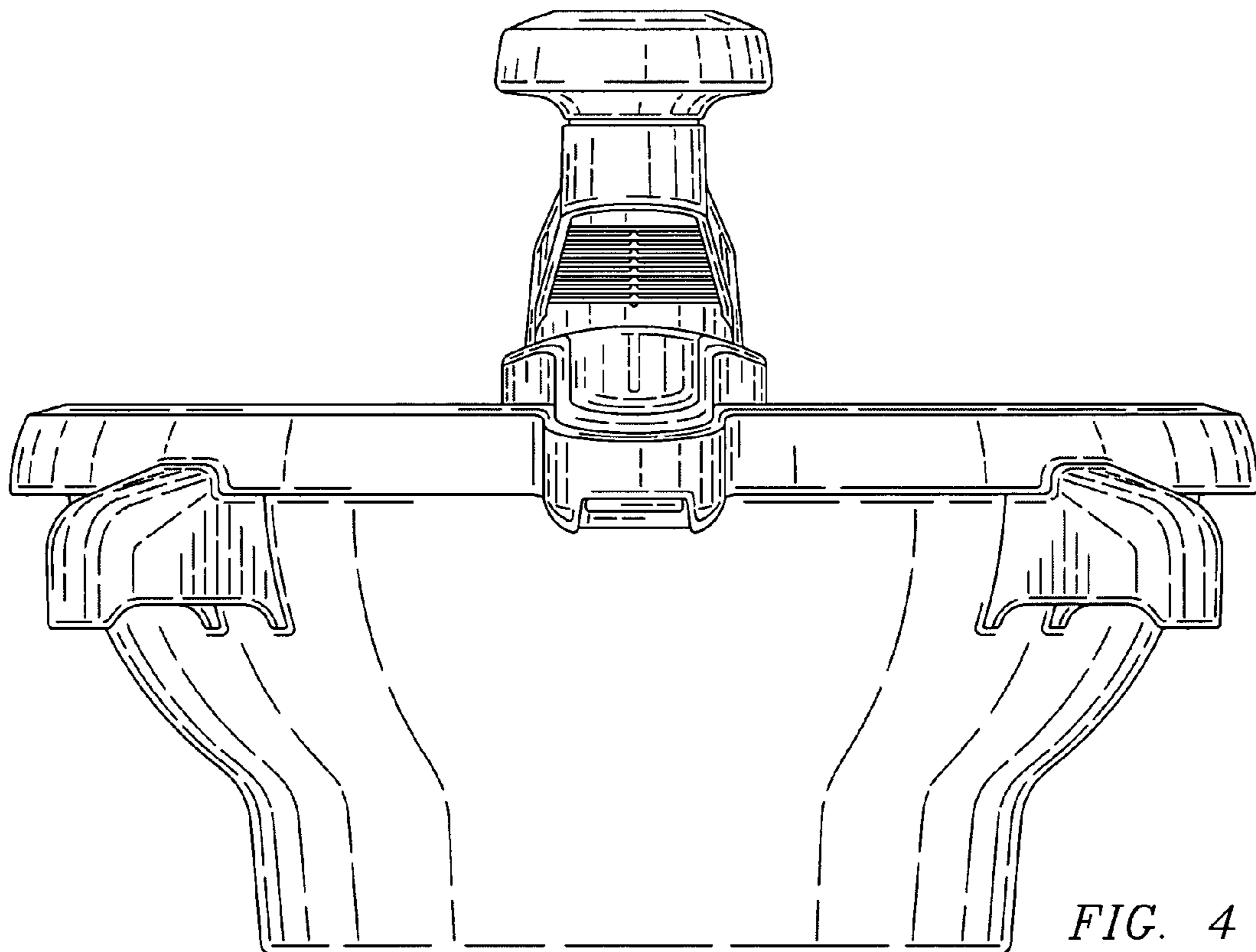


FIG. 4

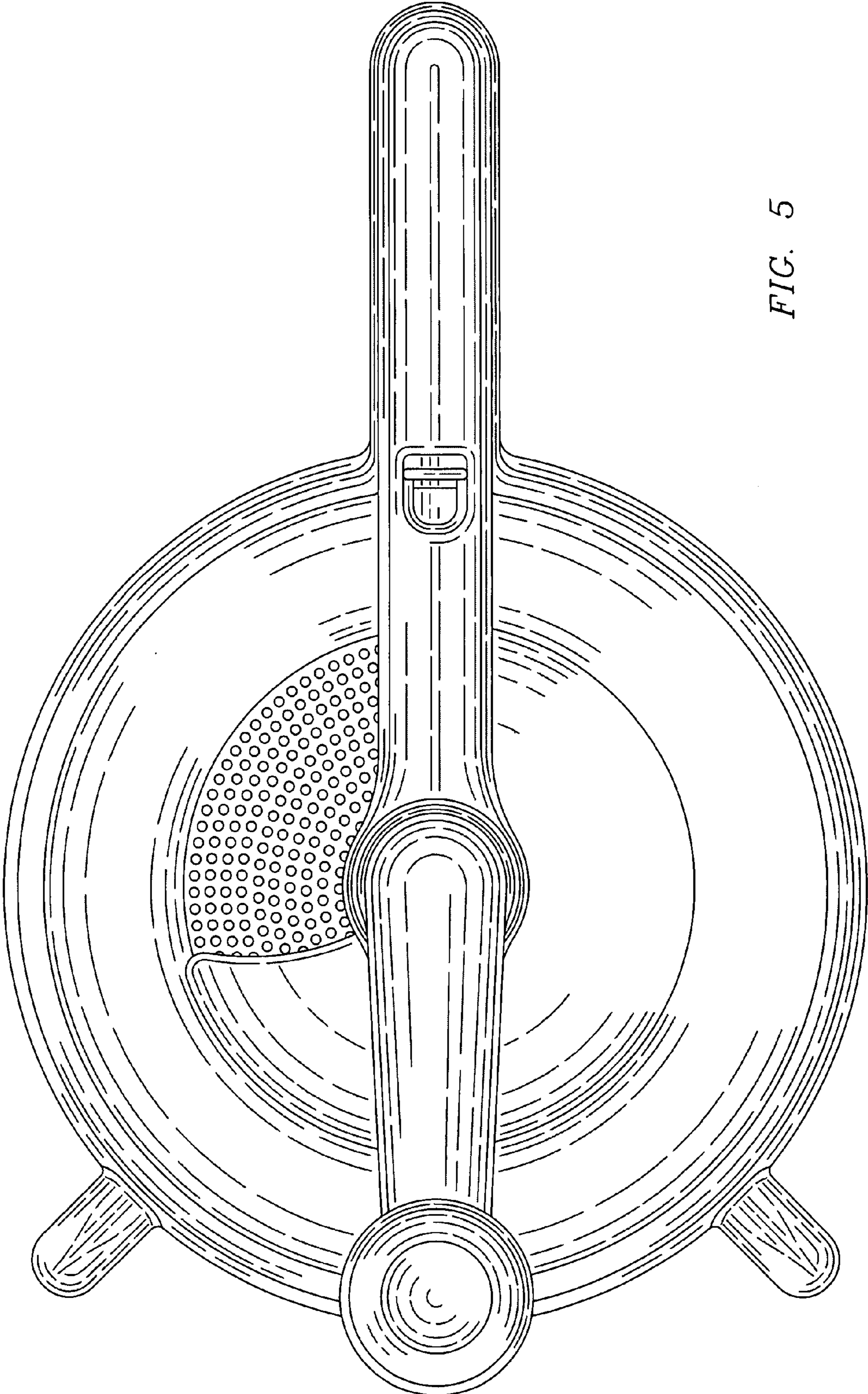


FIG. 5

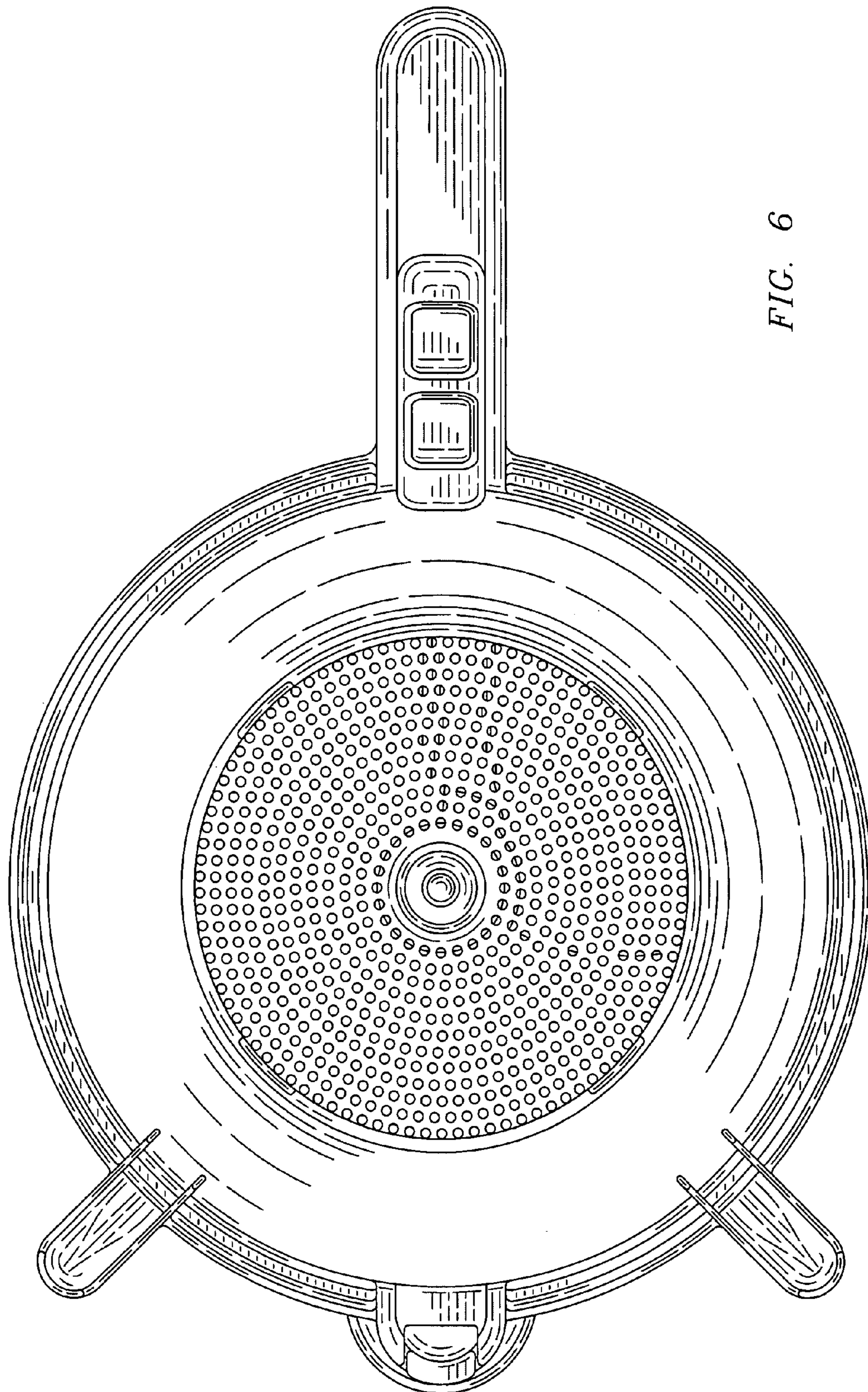


FIG. 6