



US00D581748S

(12) **United States Design Patent**
de Groote

(10) **Patent No.:** **US D581,748 S**
(45) **Date of Patent:** **** Dec. 2, 2008**

(54) **CHEESE GRATER**

(75) Inventor: **Jan-Hendrik de Groote**, Haaltert (BE)

(73) Assignee: **Dart Industries Inc.**, Orlando, FL (US)

(**) Term: **14 Years**

(21) Appl. No.: **29/287,569**

(22) Filed: **Aug. 24, 2007**

(51) **LOC (8) Cl.** **07-04**

(52) **U.S. Cl.** **D7/678**

(58) **Field of Classification Search** D7/678,
D7/608, 709; 241/273.1-273.4, 280-282,
241/95, 168, 169

See application file for complete search history.

(56) **References Cited**

U.S. PATENT DOCUMENTS

2,602,596	A	7/1952	Jones et al.	
2,818,797	A	1/1958	Ballor	
3,642,045	A	2/1972	Buvelot	
D233,204	S *	10/1974	Fisher	D7/678
D245,750	S *	9/1977	Maclean	D7/591
4,127,375	A	11/1978	Nelson	
4,212,430	A	7/1980	Dale et al.	
4,714,205	A	12/1987	Steinko	
5,071,663	A	12/1991	Dugan	
D333,762	S *	3/1993	Herren	D7/678
5,261,613	A	11/1993	Mullarky	
5,364,037	A *	11/1994	Bigelow	241/93
D362,598	S *	9/1995	Kibbe	D7/678

5,967,434	A	10/1999	Virk	
6,520,436	B1	2/2003	Herren	
D478,254	S *	8/2003	Chau	D7/678
6,966,510	B2	11/2005	Pai	
2005/0040265	A1	2/2005	Pai	
2005/0160894	A1	7/2005	Canegallo	

FOREIGN PATENT DOCUMENTS

EP	1 018 920	B1	3/2004
FR	2685863		7/1993
JP	2005186267		7/2005

* cited by examiner

Primary Examiner—Terry A Wallace

(74) *Attorney, Agent, or Firm*—John A. Doninger

(57) **CLAIM**

The ornamental design for a cheese grater, as shown and described.

DESCRIPTION

FIG. 1 is a top perspective view of the cheese grater showing my new design;

FIG. 2 is a front elevation view thereof;

FIG. 3 is a right side elevation view thereof;

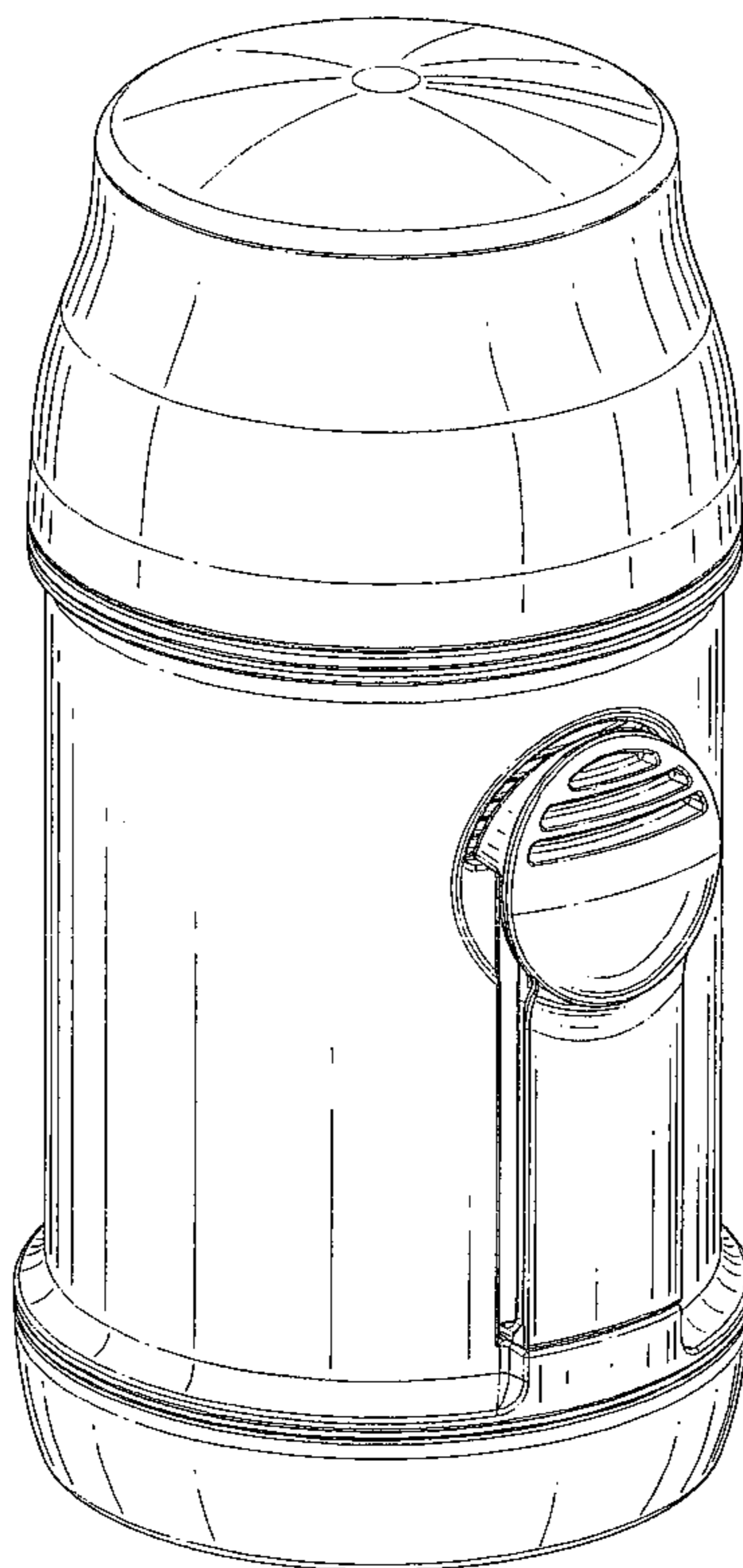
FIG. 4 is a rear elevation view thereof;

FIG. 5 is a left side elevation view thereof;

FIG. 6 is a top plan view thereof; and,

FIG. 7 is a bottom plan view thereof.

1 Claim, 6 Drawing Sheets



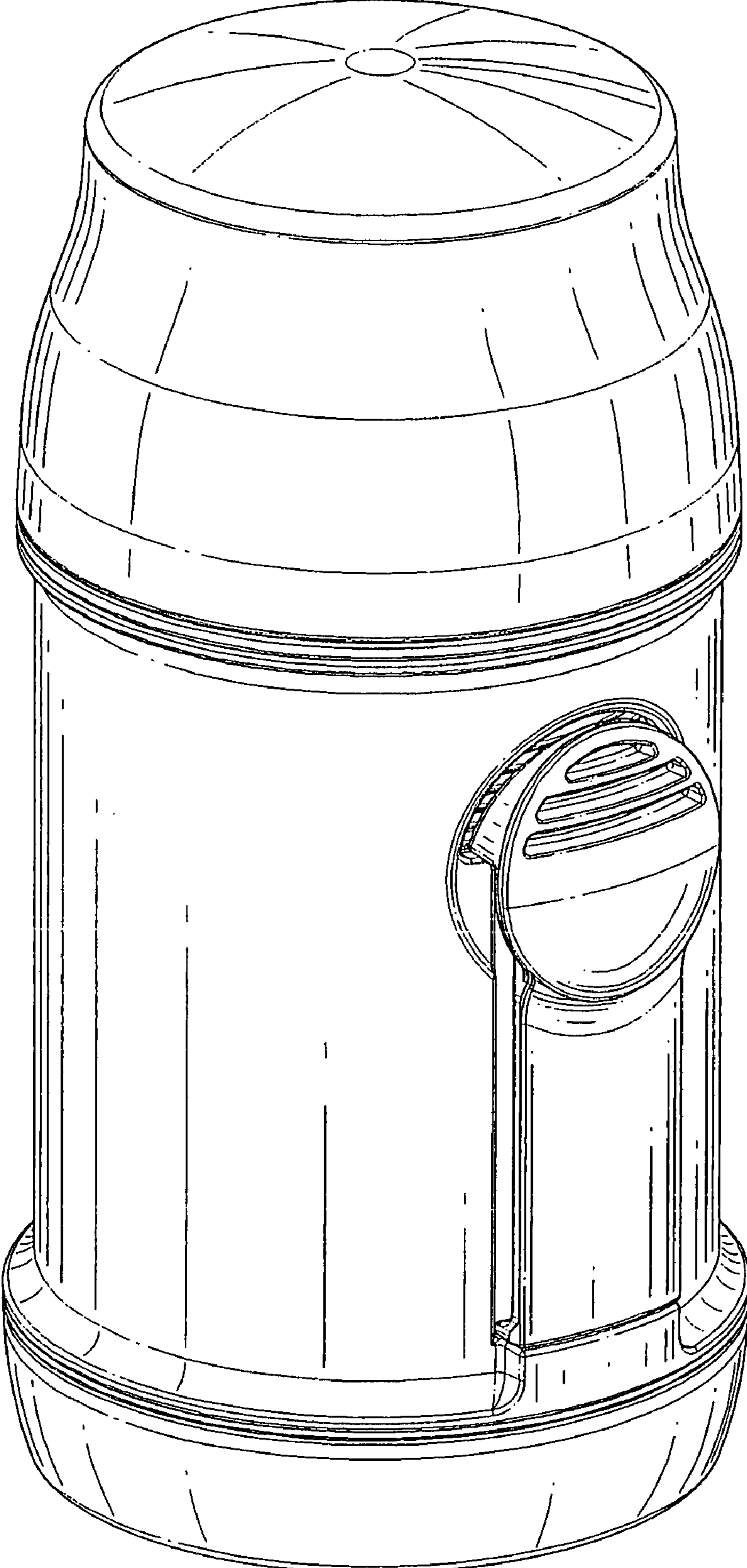


FIG. 1

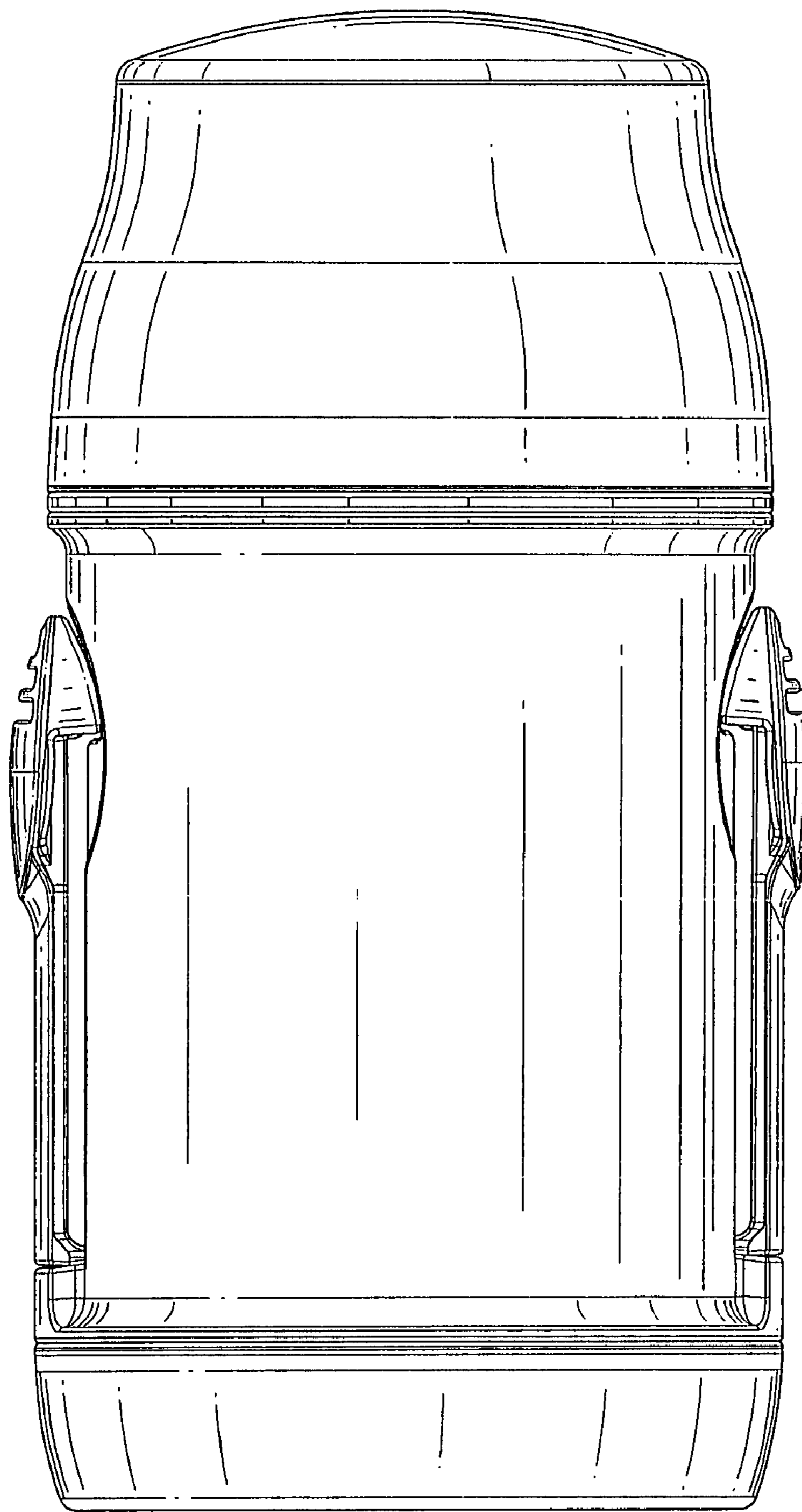


FIG. 2

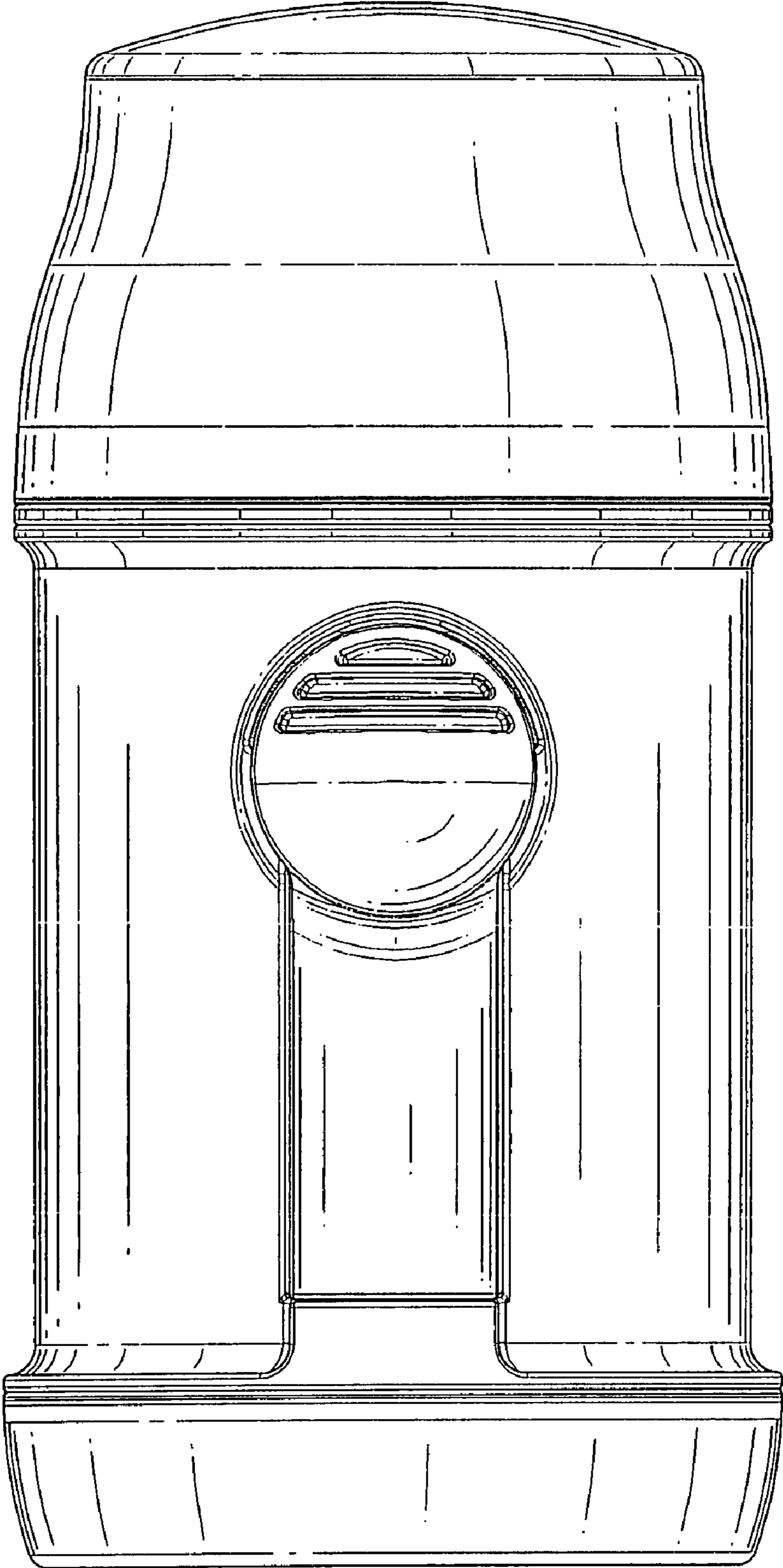


FIG. 3

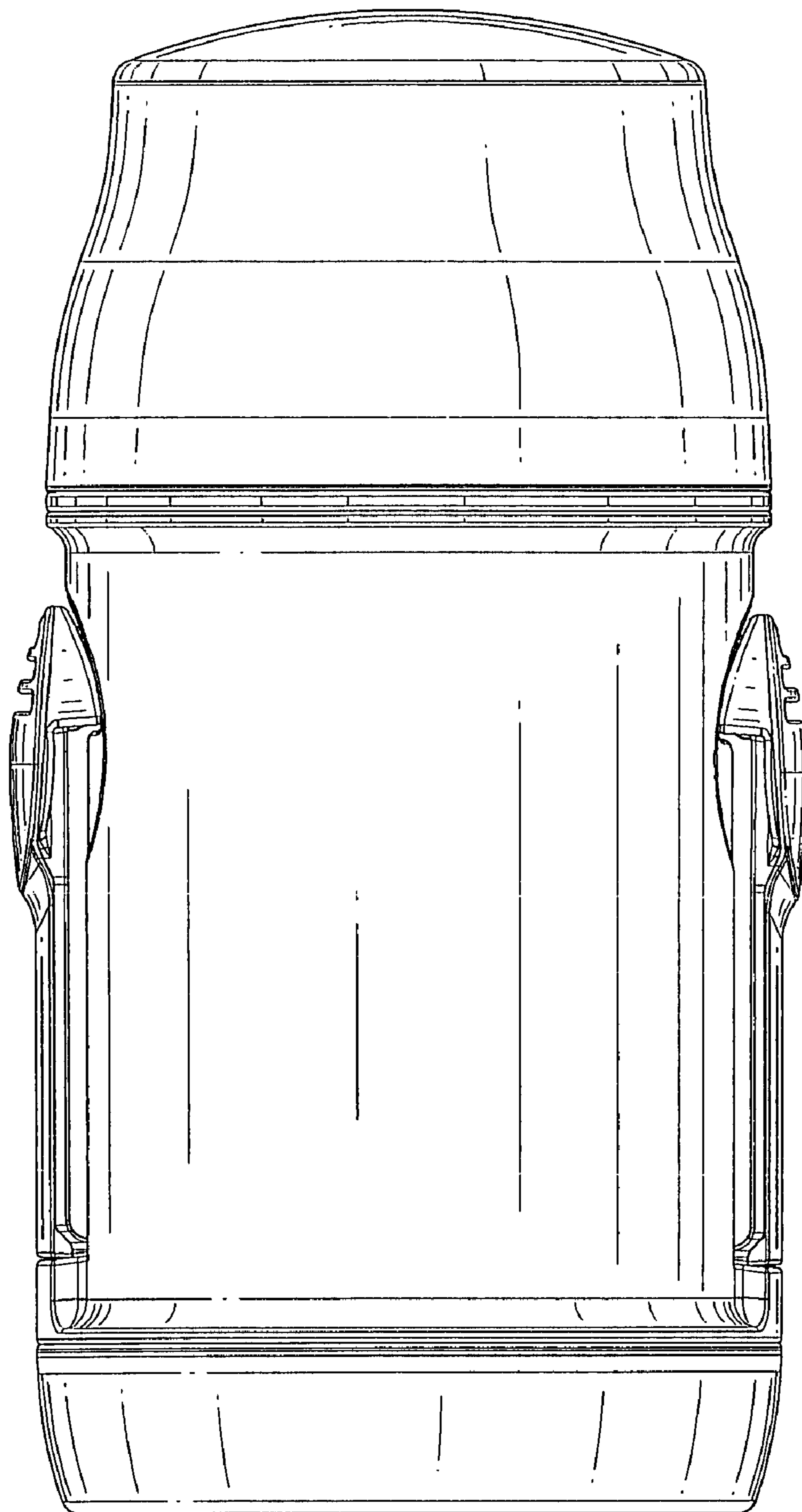


FIG. 4

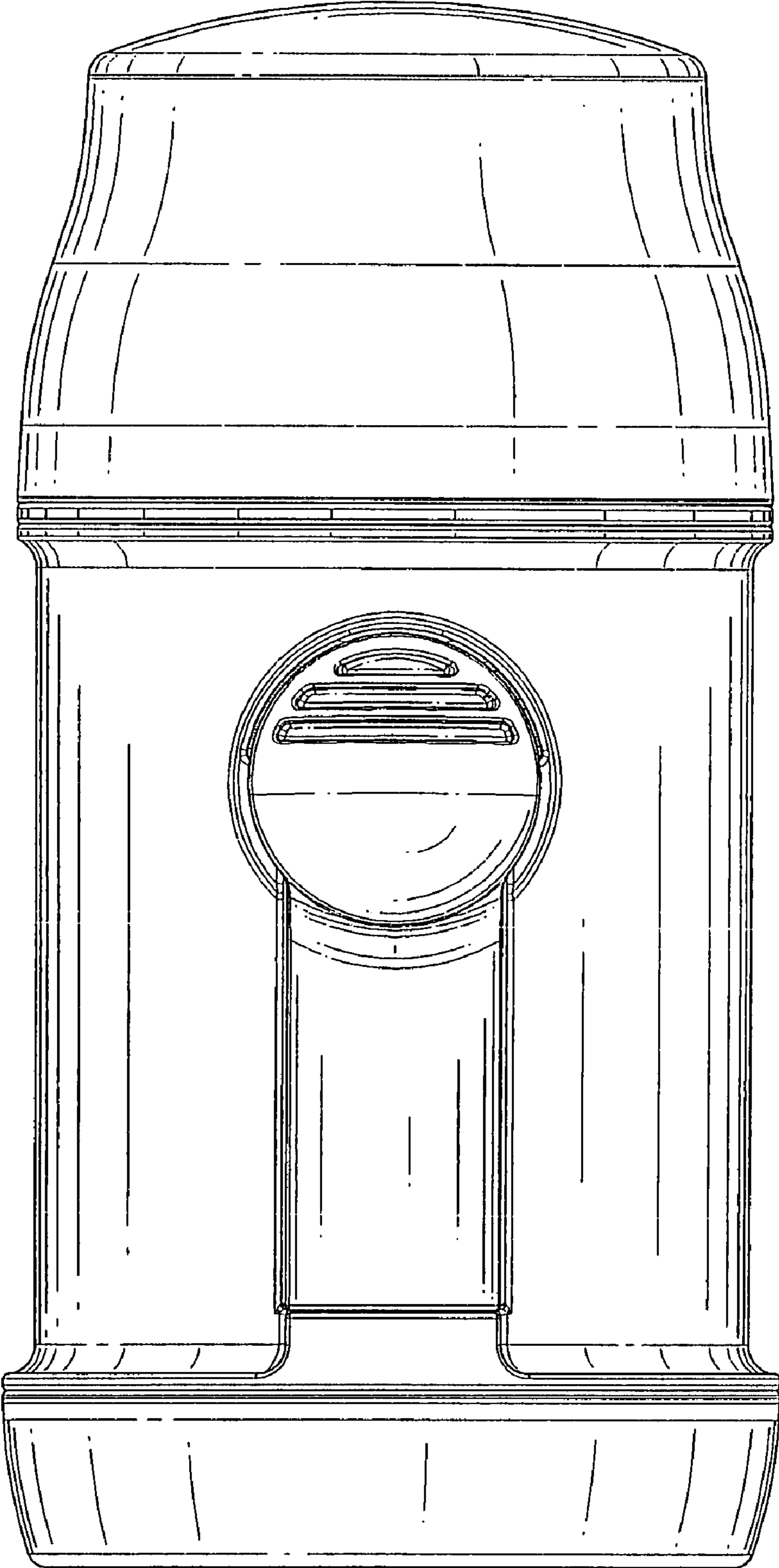


FIG. 5

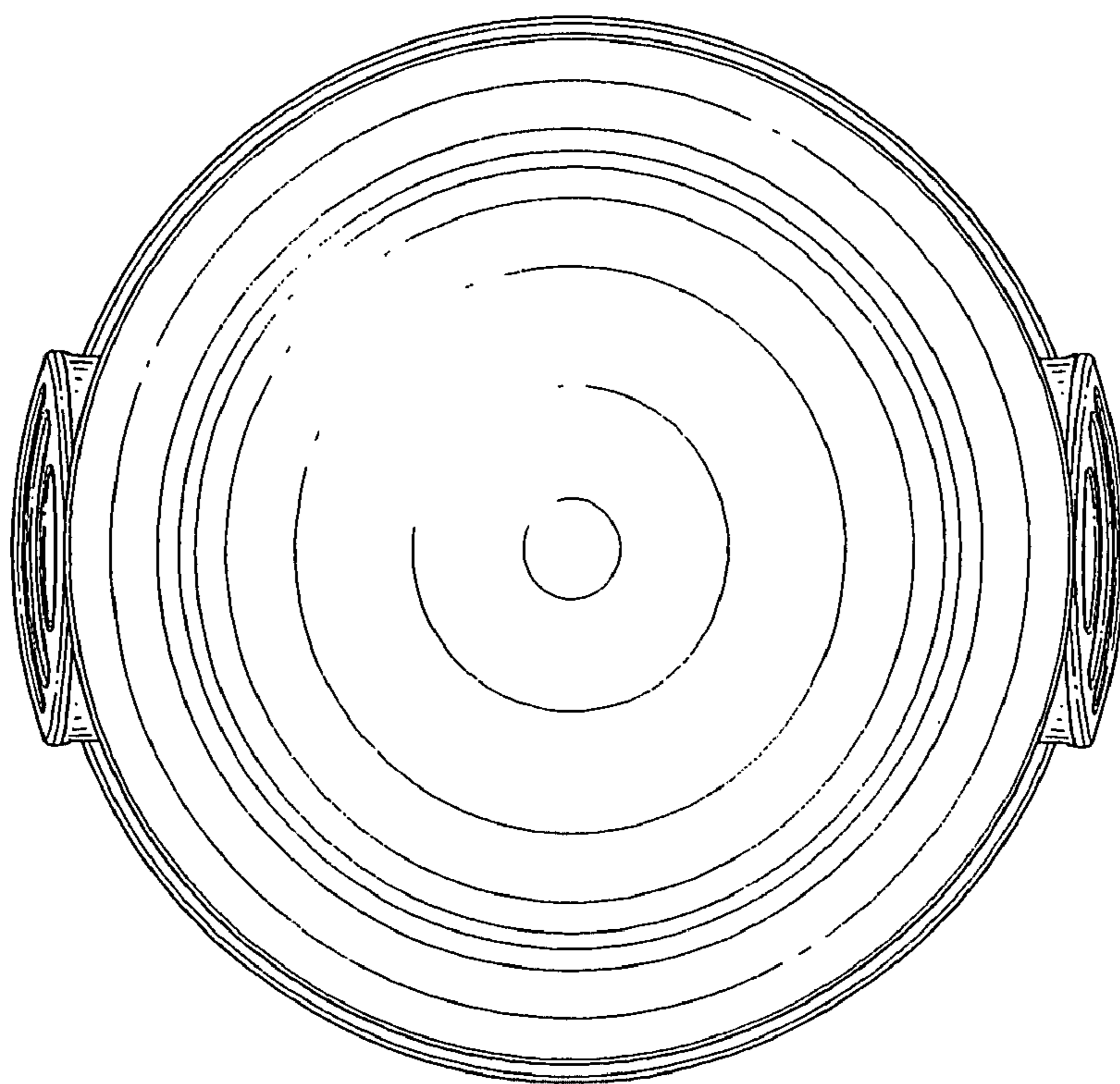


FIG. 6

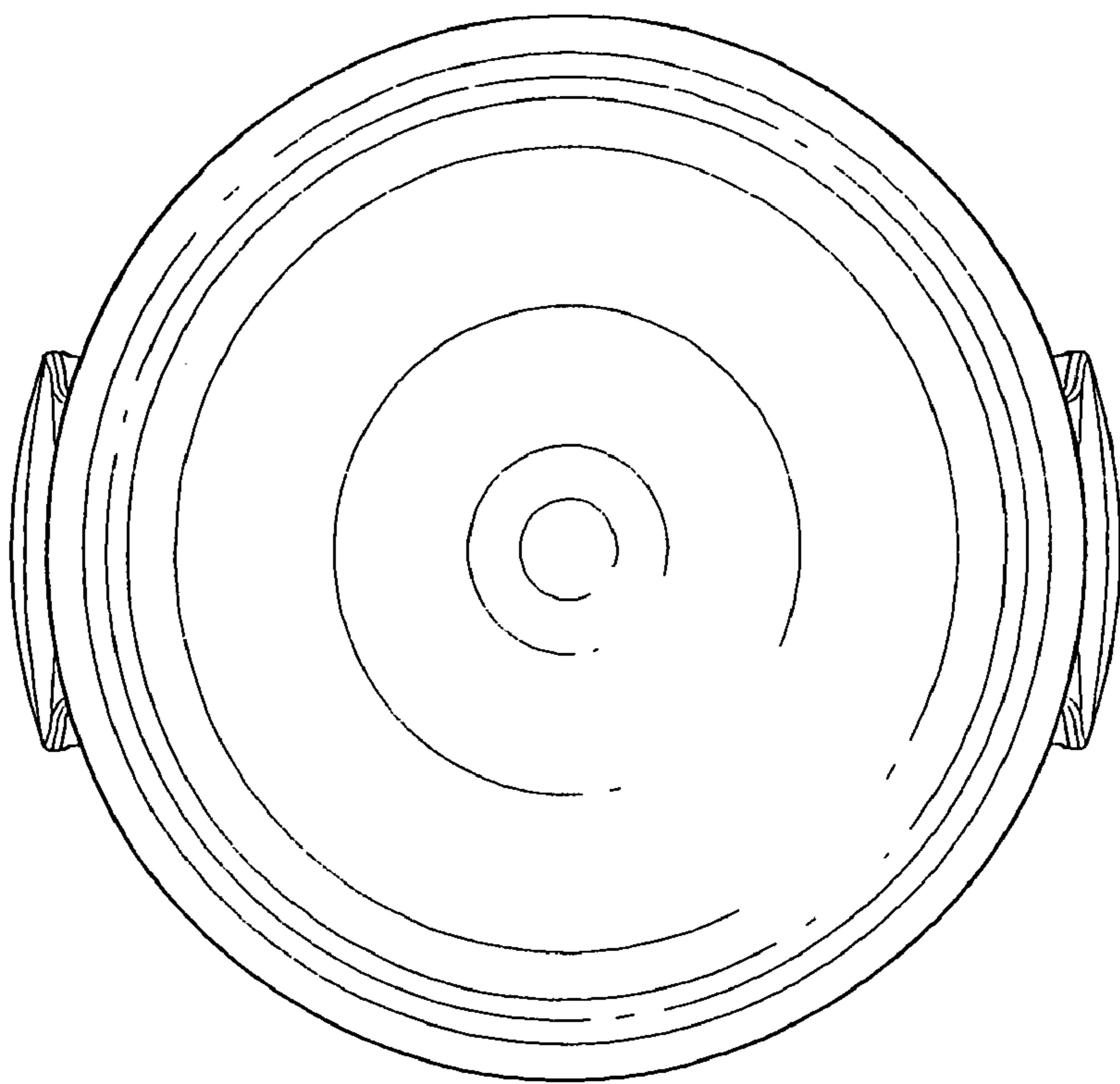


FIG. 7