



US00D581743S

(12) **United States Design Patent**  
**Zimmermann**

(10) **Patent No.:** **US D581,743 S**

(45) **Date of Patent:** **\*\* Dec. 2, 2008**

(54) **ICE BUCKET**

(75) Inventor: **Kai Zimmermann**, Paris (FR)

(73) Assignee: **Polmos Zyrardow Sp. ZO. O**, Zyrardow (PL)

(\*\*) Term: **14 Years**

(21) Appl. No.: **29/294,592**

(22) Filed: **Jan. 18, 2008**

(30) **Foreign Application Priority Data**

Jul. 20, 2007 (EM) ..... 00761739

(51) **LOC (8) Cl.** ..... **07-01**

(52) **U.S. Cl.** ..... **D7/603**

(58) **Field of Classification Search** ..... D7/603-608,  
D7/602, 629, 538-542; 60/457.1-457.9,  
60/371, 372; 220/780-806, 574-575, 915.1,  
220/915.2, 592.03, 592.01, 592.09, 592.16,  
220/592.2

See application file for complete search history.

(56) **References Cited**

**U.S. PATENT DOCUMENTS**

D240,205 S \* 6/1976 Visser ..... D7/605

4,047,633 A \* 9/1977 Trombly ..... 220/592.2

D246,562 S \* 12/1977 Stoddard ..... D7/603

6,761,041 B2 \* 7/2004 Roth et al. .... 62/457.2

\* cited by examiner

*Primary Examiner*—Terry A Wallace

(74) *Attorney, Agent, or Firm*—Mathews, Shepherd, McKay & Bruneau, P.A.

(57) **CLAIM**

We claim, the ornamental design for an ice bucket, as shown and described.

**DESCRIPTION**

FIG. 1 is a perspective view, showing my new design;

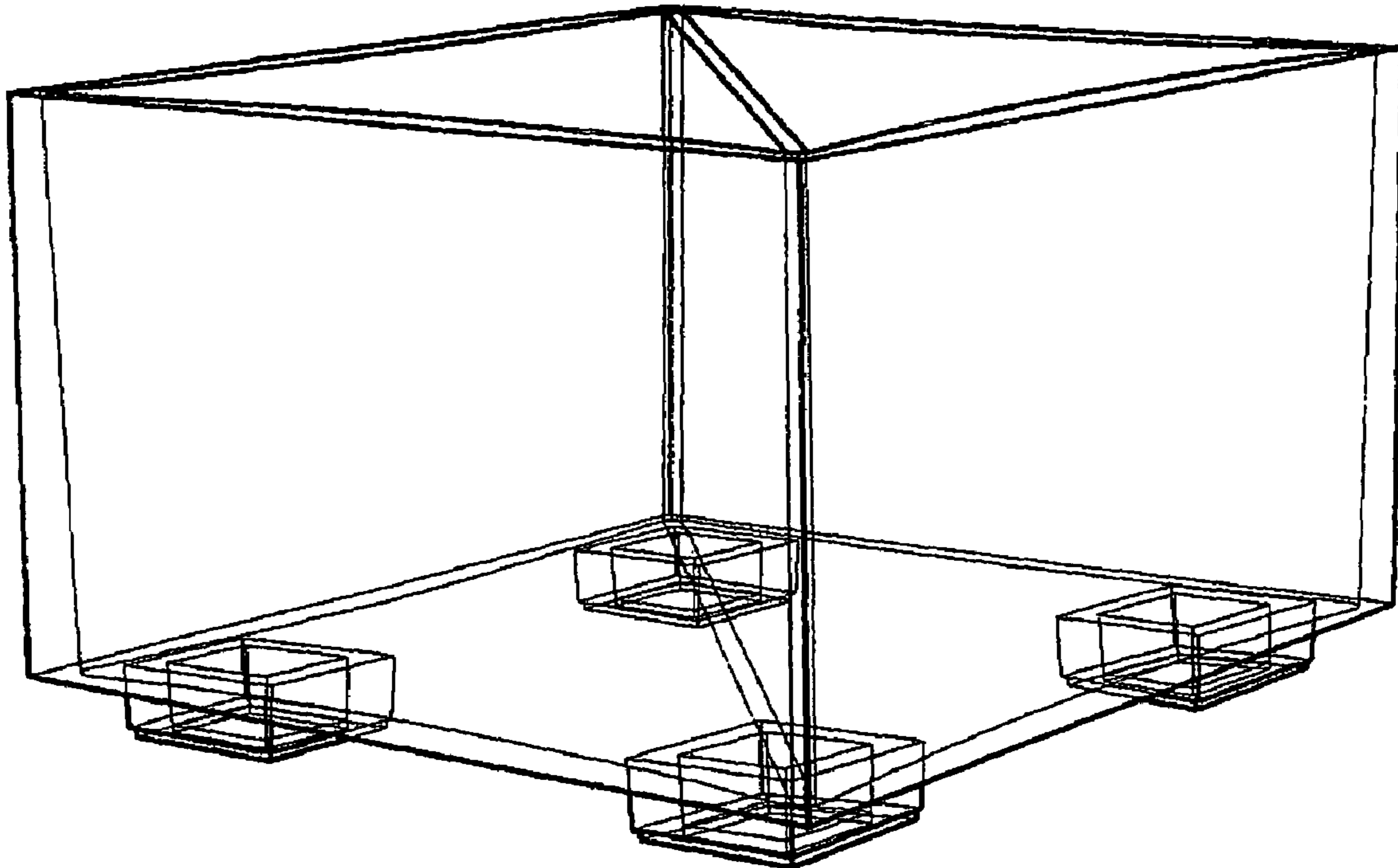
FIG. 2 is a front elevational view thereof, the rear being a mirror image;

FIG. 3 is a right side elevational view thereof, the left side being a mirror image;

FIG. 4 is a bottom elevational view thereof; and,

FIG. 5 is a top plan view thereof.

**1 Claim, 3 Drawing Sheets**



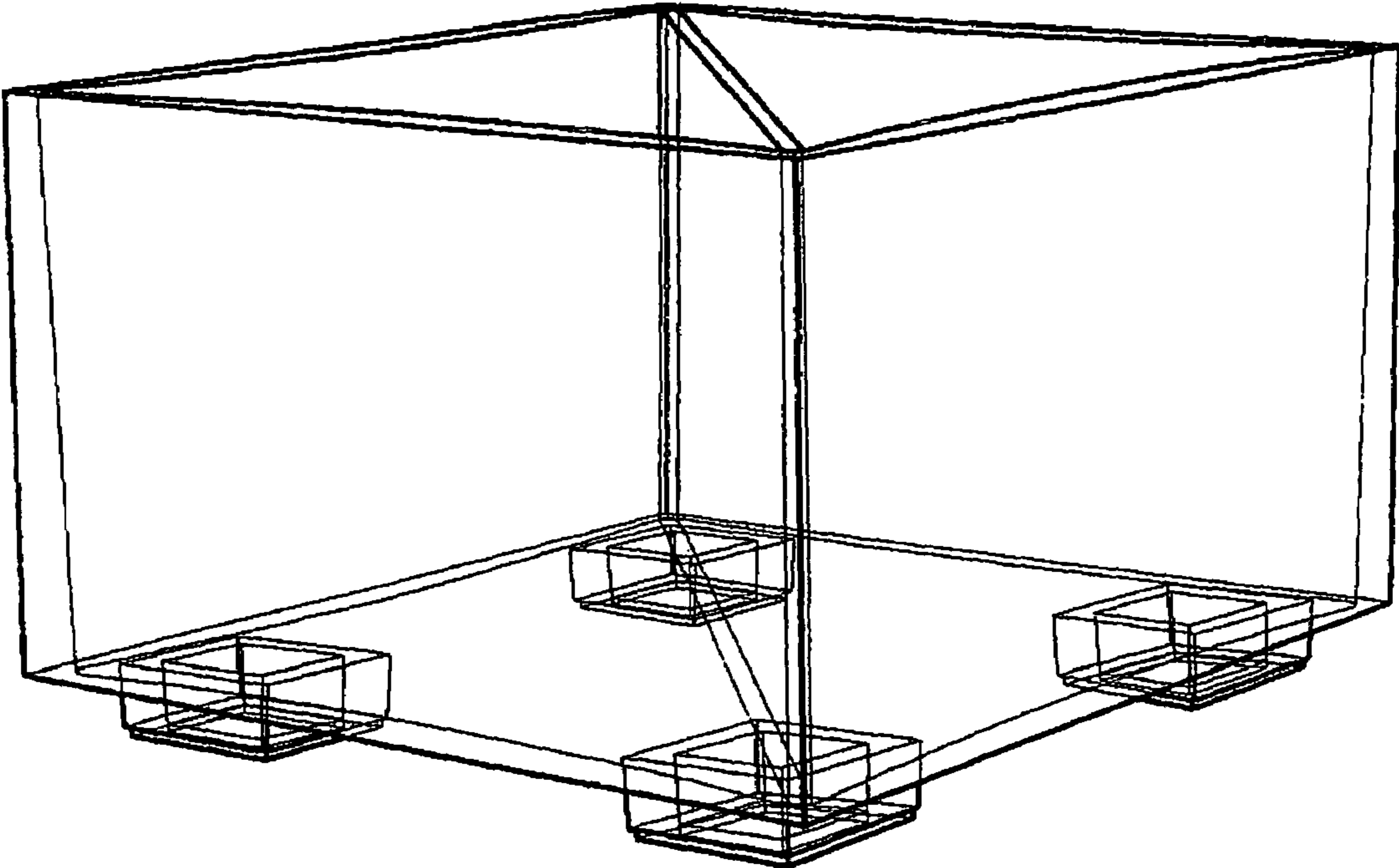


Fig. 1

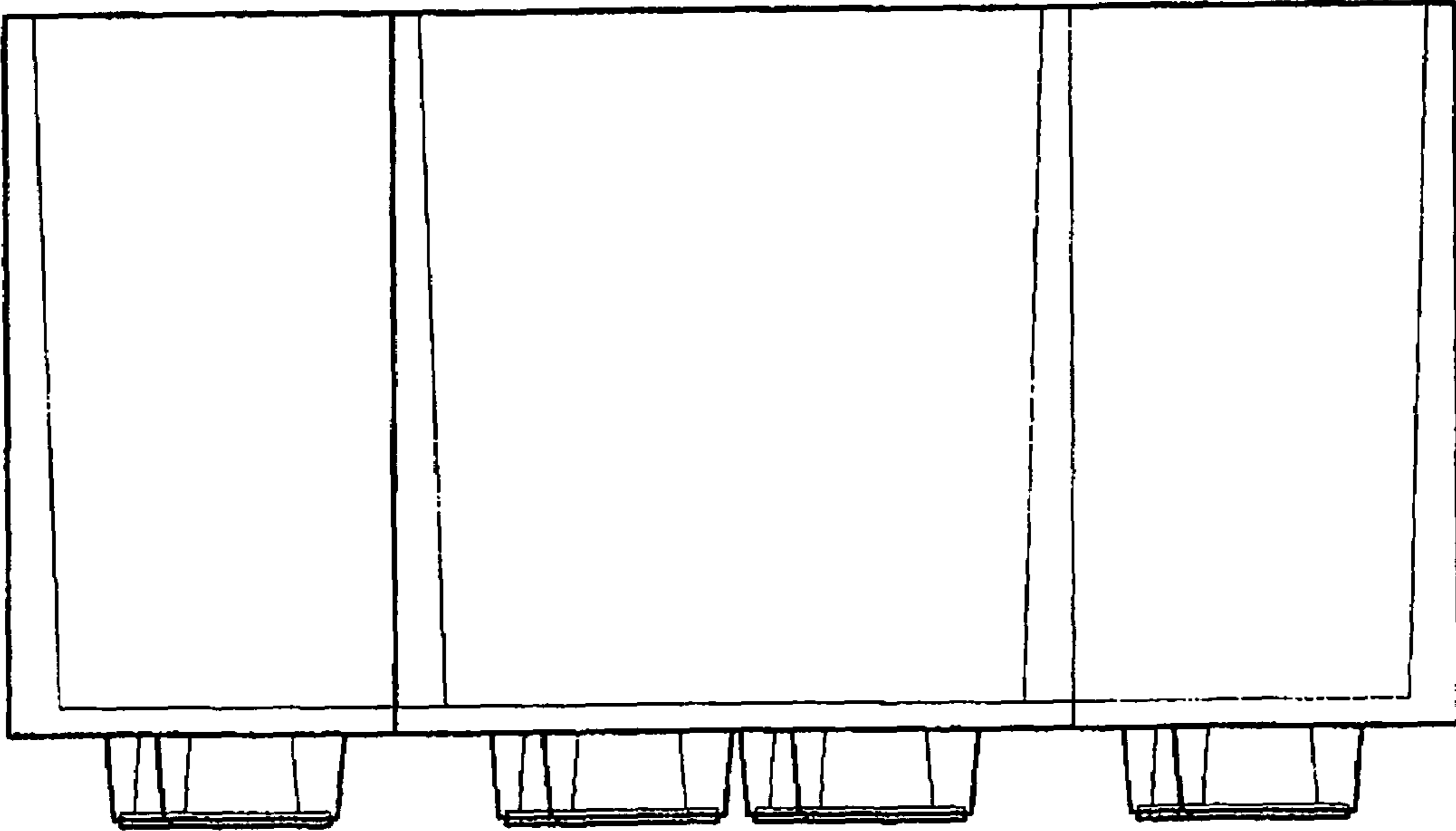


Fig. 2

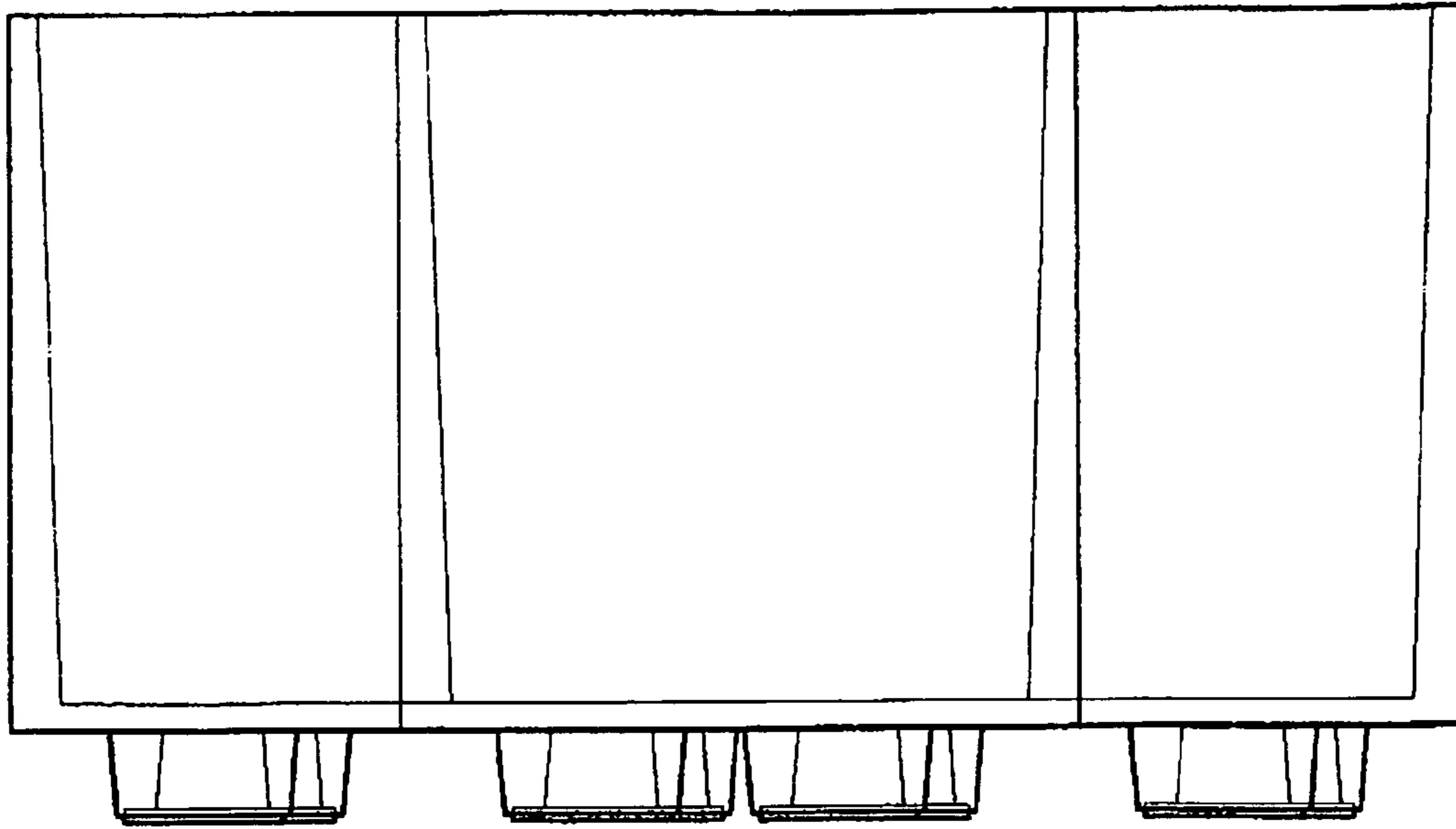


Fig. 3

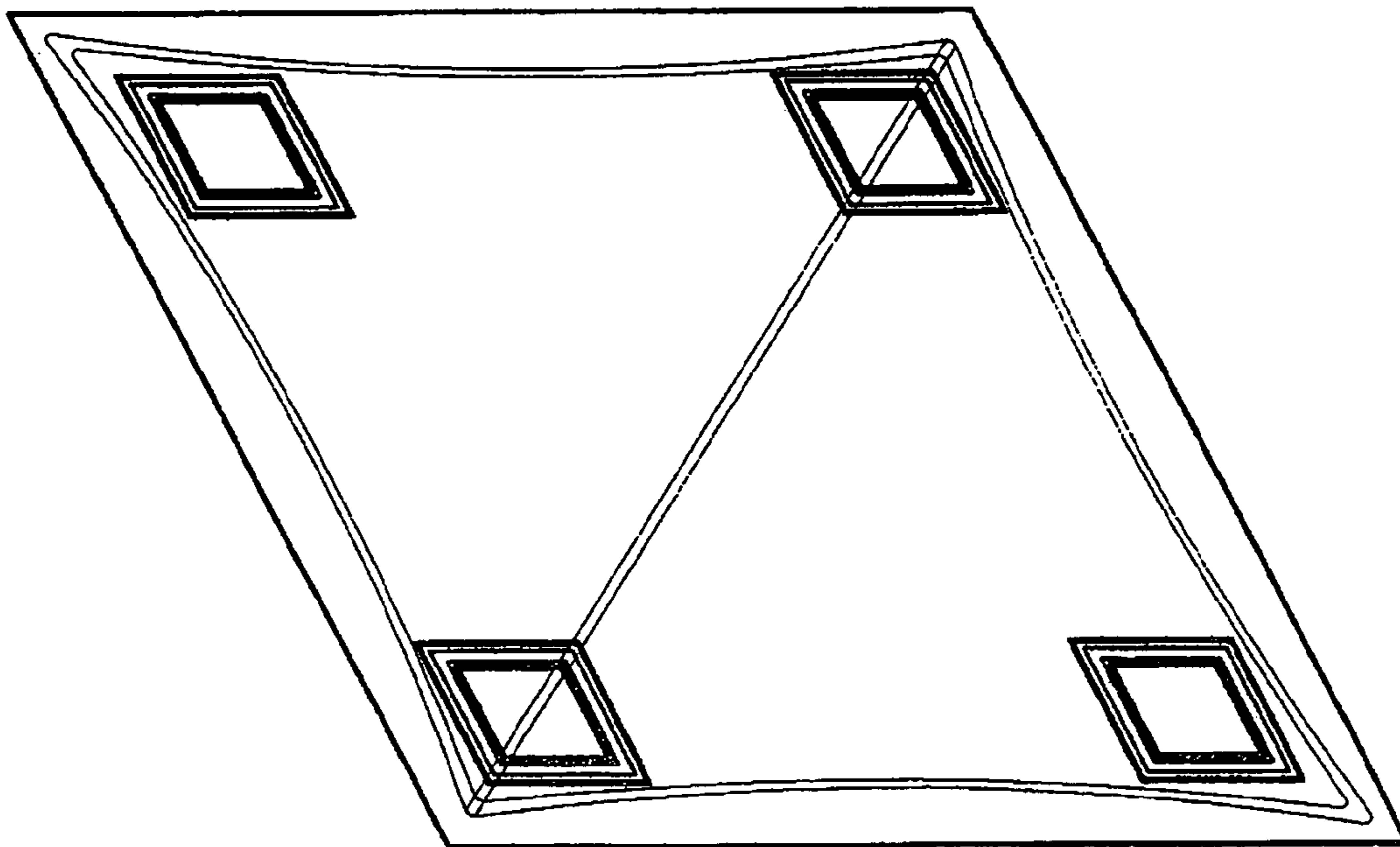


Fig. 4

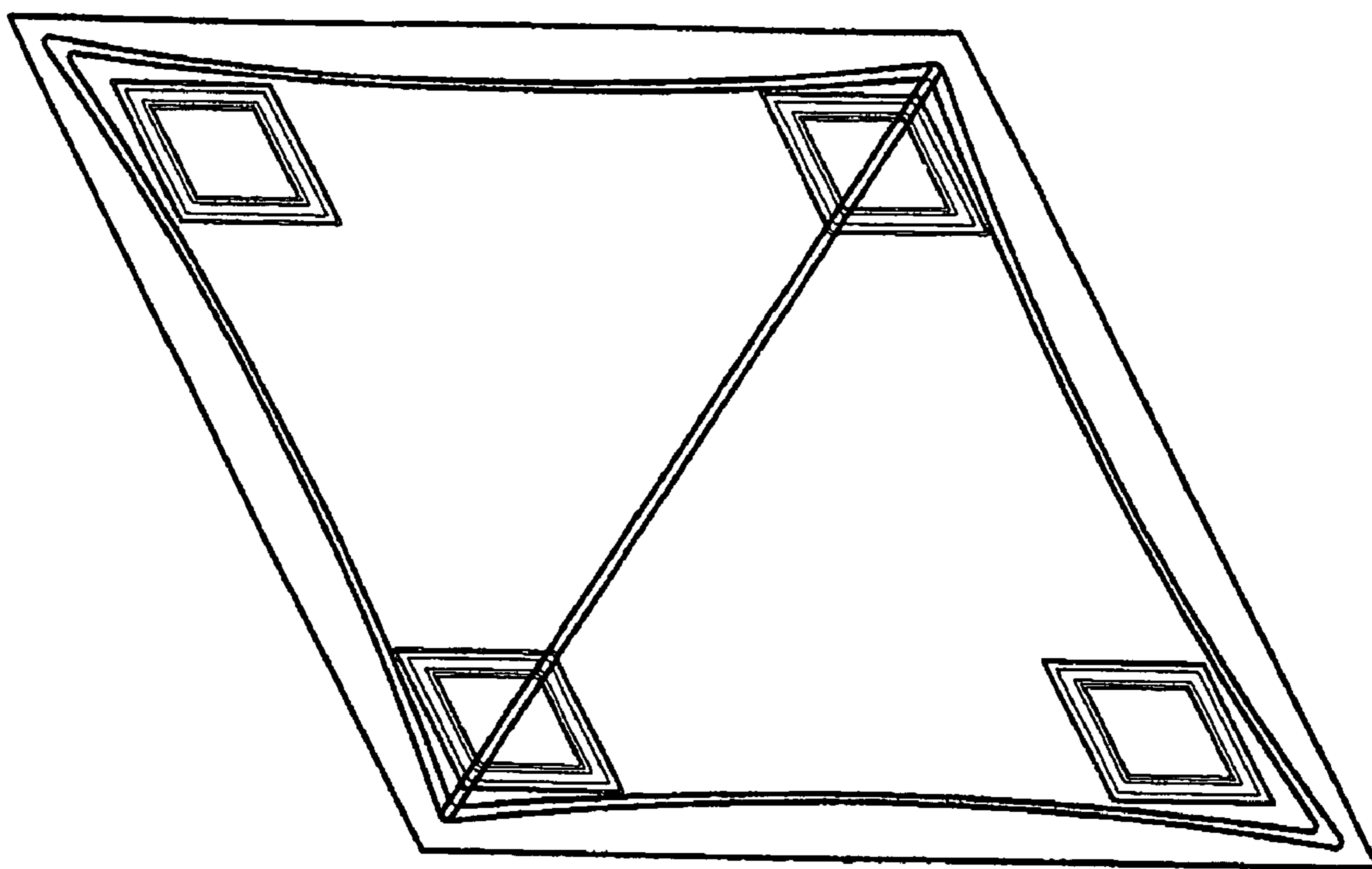


Fig. 5