



US00D581739S

(12) **United States Design Patent**
Bodum

(10) **Patent No.:** **US D581,739 S**
(45) **Date of Patent:** **** Dec. 2, 2008**

- (54) **DOUBLE WALL GLASS**
- (75) Inventor: **Jørgen Bodum**, Meggen (CH)
- (73) Assignee: **Pi-Design AG**, Triengen (CH)
- (**) Term: **14 Years**
- (21) Appl. No.: **29/305,341**
- (22) Filed: **Mar. 18, 2008**

Related U.S. Application Data

- (62) Division of application No. 29/297,295, filed on Nov. 8, 2007.

(30) **Foreign Application Priority Data**

May 8, 2007 (DK) DA 2007 00120

- (51) **LOC (8) Cl.** **07-01**
- (52) **U.S. Cl.** **D7/523; D7/509**
- (58) **Field of Classification Search** D7/535,
D7/536, 533, 523, 509, 619.1, 602, 513;
D9/500; D34/1; 62/457.3; 206/519; 229/400,
229/403; 215/387, DIG. 7; 220/62.18, 23.83,
220/592.16, 592.17, 507, 703, 710.5
See application file for complete search history.

(56) **References Cited**

U.S. PATENT DOCUMENTS

- 723,796 A * 3/1903 Williams 220/592.17
- 2,051,446 A * 8/1936 Ice 215/12.1
- D108,788 S * 3/1938 Kostellow D7/523
- D120,587 S * 5/1940 Hinkins D9/500
- 3,394,562 A * 7/1968 Coleman 62/457.3
- D289,484 S * 4/1987 Forquer et al. D7/532
- D335,382 S * 5/1993 O'Brien D99/25
- D383,037 S * 9/1997 Asberg D7/511
- D454,757 S * 3/2002 Lack D7/523

- D483,611 S * 12/2003 Diak Ghanem D7/523
- D488,348 S * 4/2004 Liu D7/523
- D506,641 S * 6/2005 Liu D7/523
- D523,693 S * 6/2006 Bodum D7/523
- D526,848 S * 8/2006 Bodum D7/523
- D539,610 S * 4/2007 Lapsker D7/532
- D553,439 S * 10/2007 Bodum D7/523
- D553,440 S * 10/2007 Bodum D7/523
- D563,172 S * 3/2008 Bodum D7/523
- D565,354 S * 4/2008 Bodum D7/523
- D566,471 S * 4/2008 Bodum D7/523
- D568,685 S * 5/2008 Bodum D7/523
- D570,158 S * 6/2008 Massi et al. D7/523
- D570,648 S * 6/2008 Bodum D7/510

* cited by examiner

Primary Examiner—Philip S Hyder

Assistant Examiner—Cynthia Underwood

(74) *Attorney, Agent, or Firm*—Cowan, Liebowitz & Latman, PC

(57) **CLAIM**

The ornamental design for a double wall glass, as shown and described.

DESCRIPTION

FIG. 1 is a perspective view of the double wall glass showing my design thereof;

FIG. 2 is a front view thereof;

FIG. 3 is a back view thereof;

FIG. 4 is a right side view thereof;

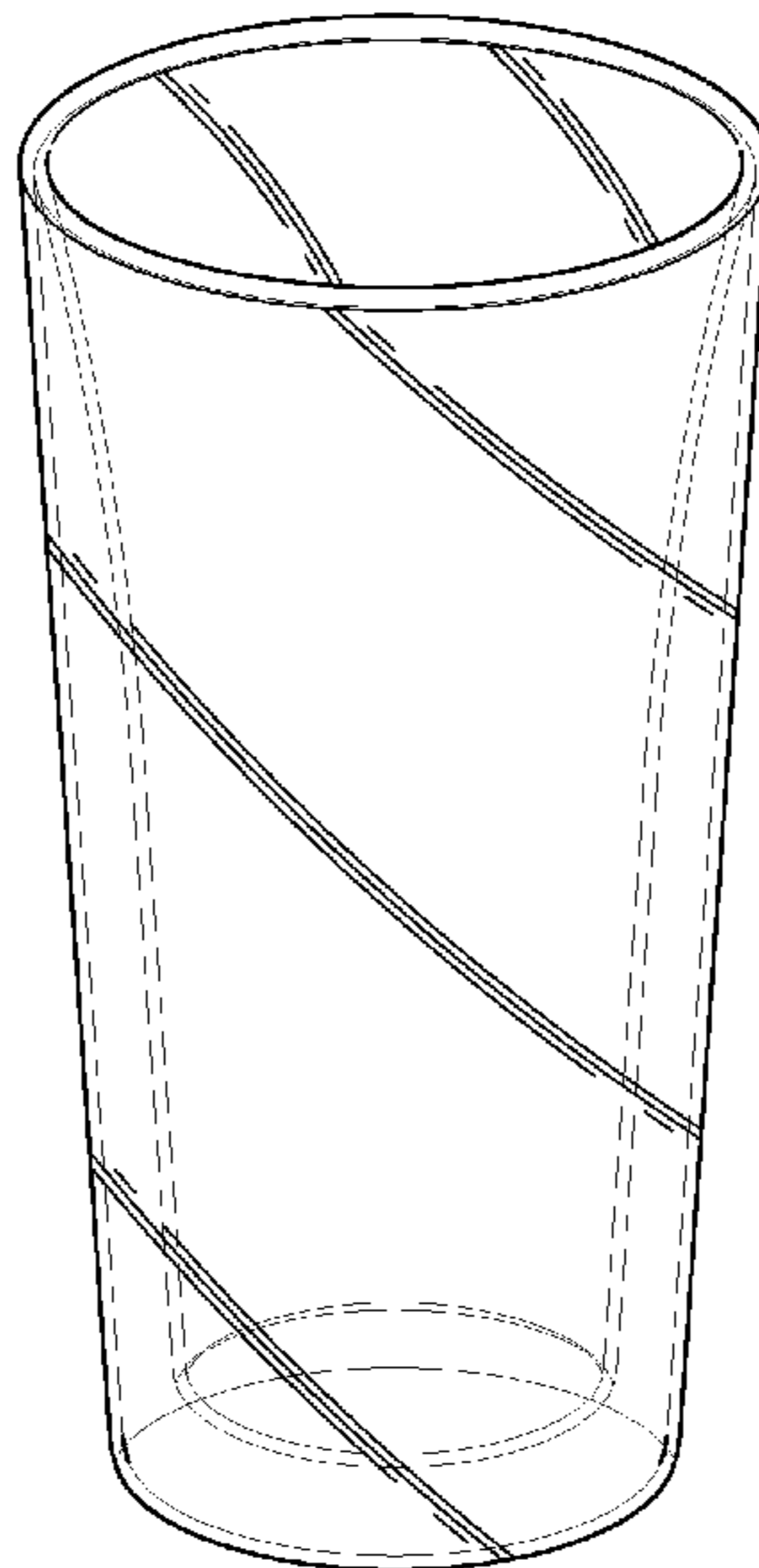
FIG. 5 is a left side view thereof;

FIG. 6 is a top view thereof;

FIG. 7 is a bottom view thereof; and,

FIG. 8 is a cross-sectional view thereof taken along line 8—8 of FIG. 6.

1 Claim, 8 Drawing Sheets



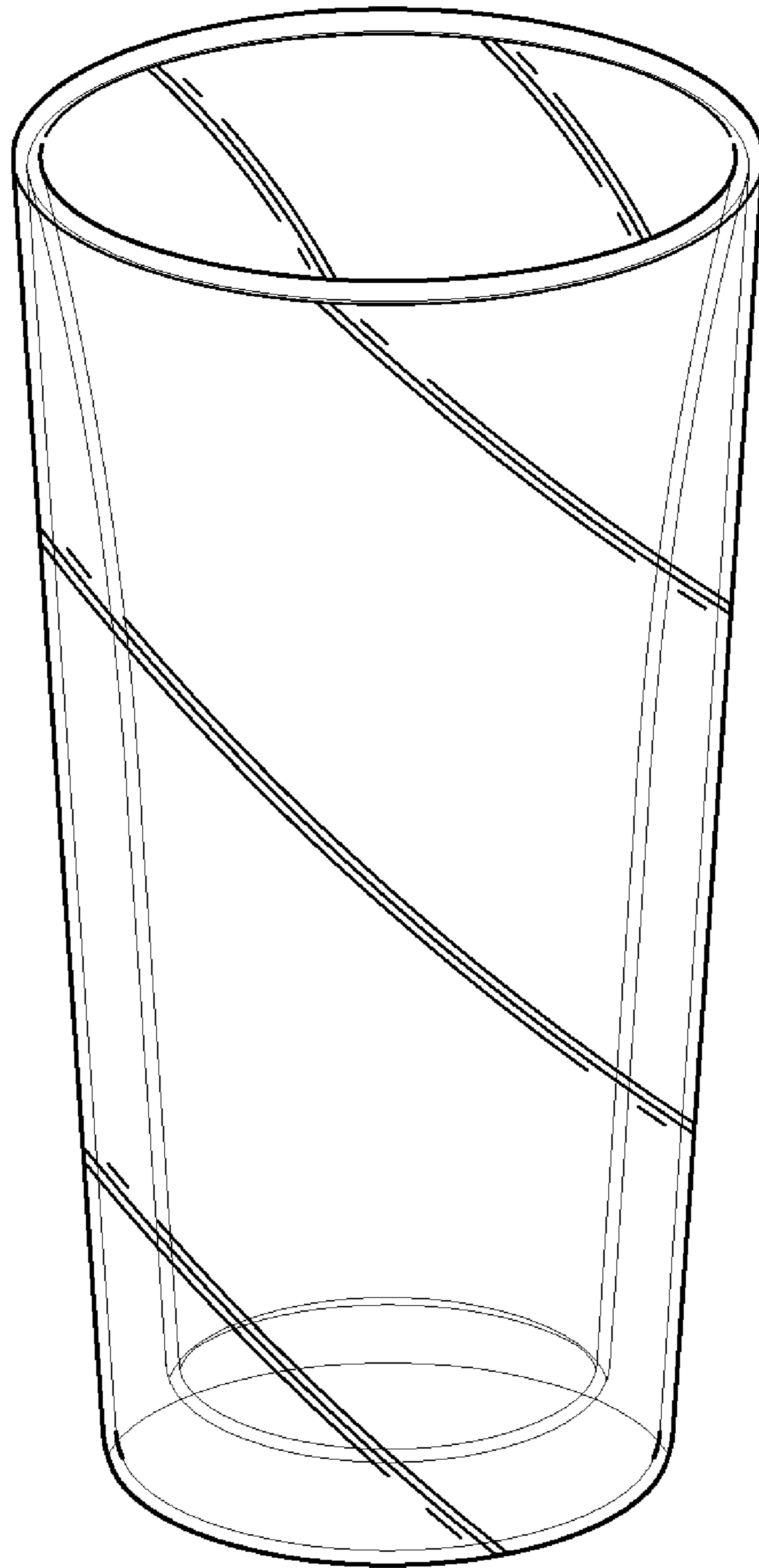


FIG. 1

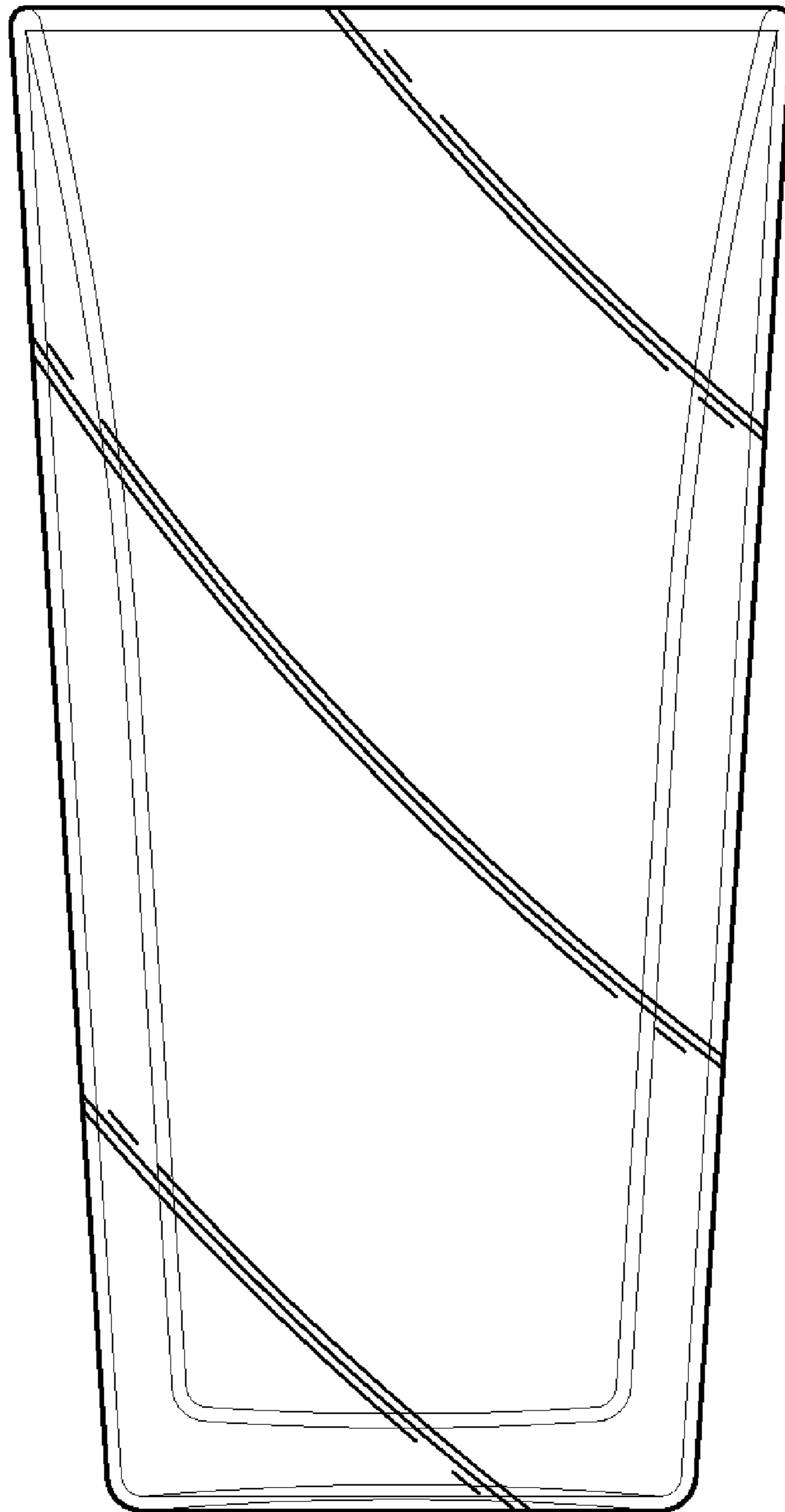


FIG. 2

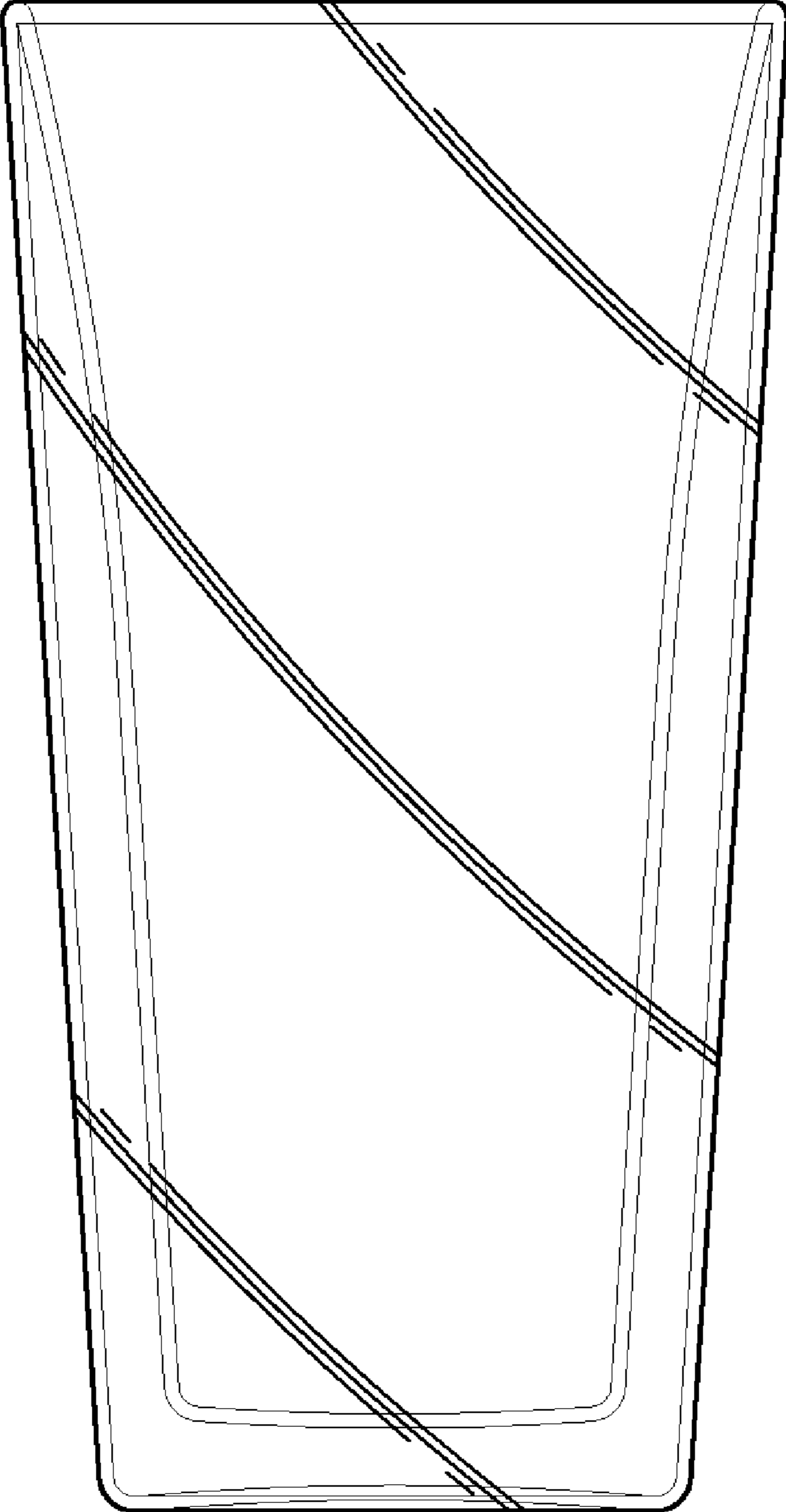


FIG. 3

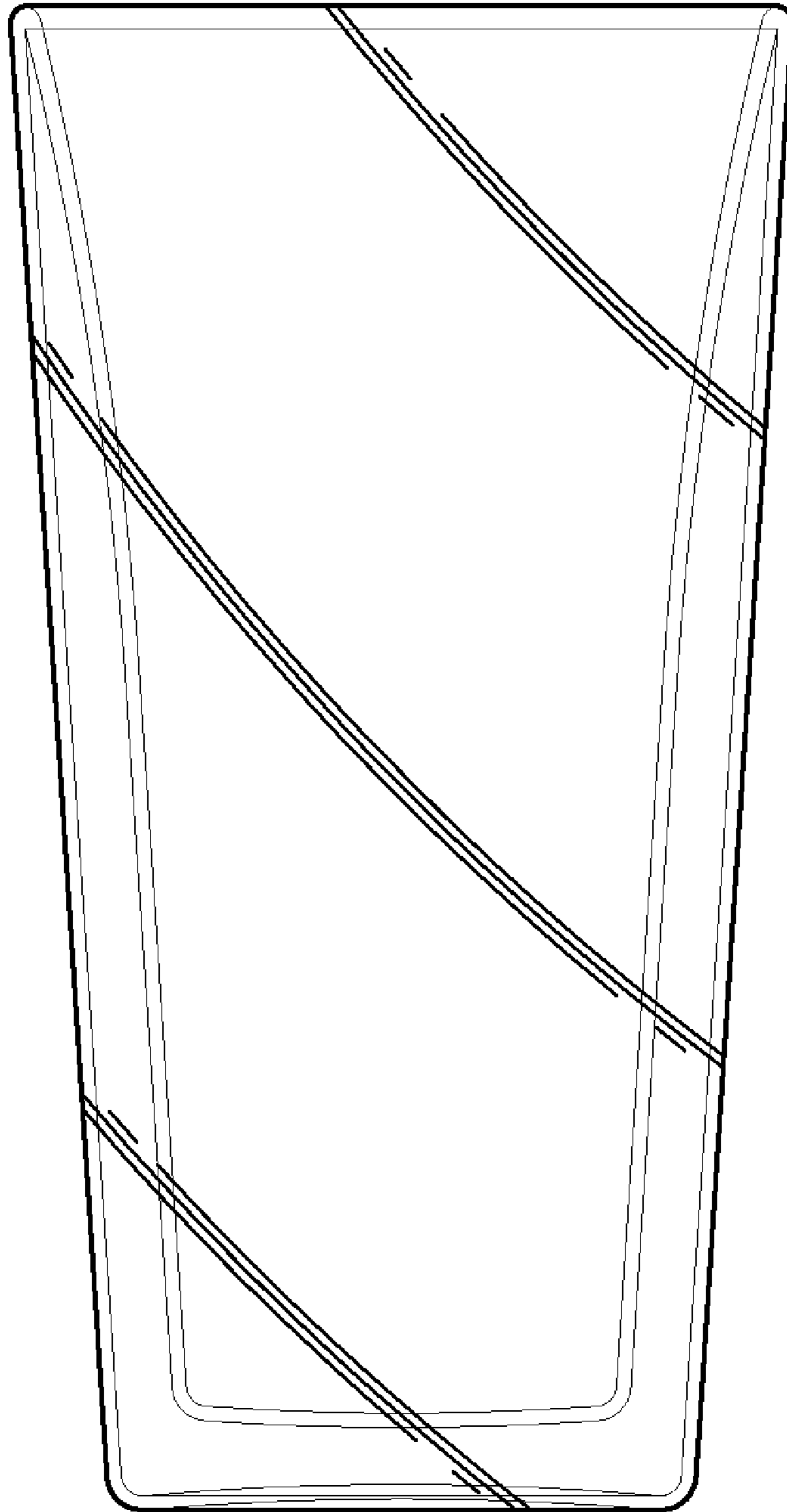


FIG. 4

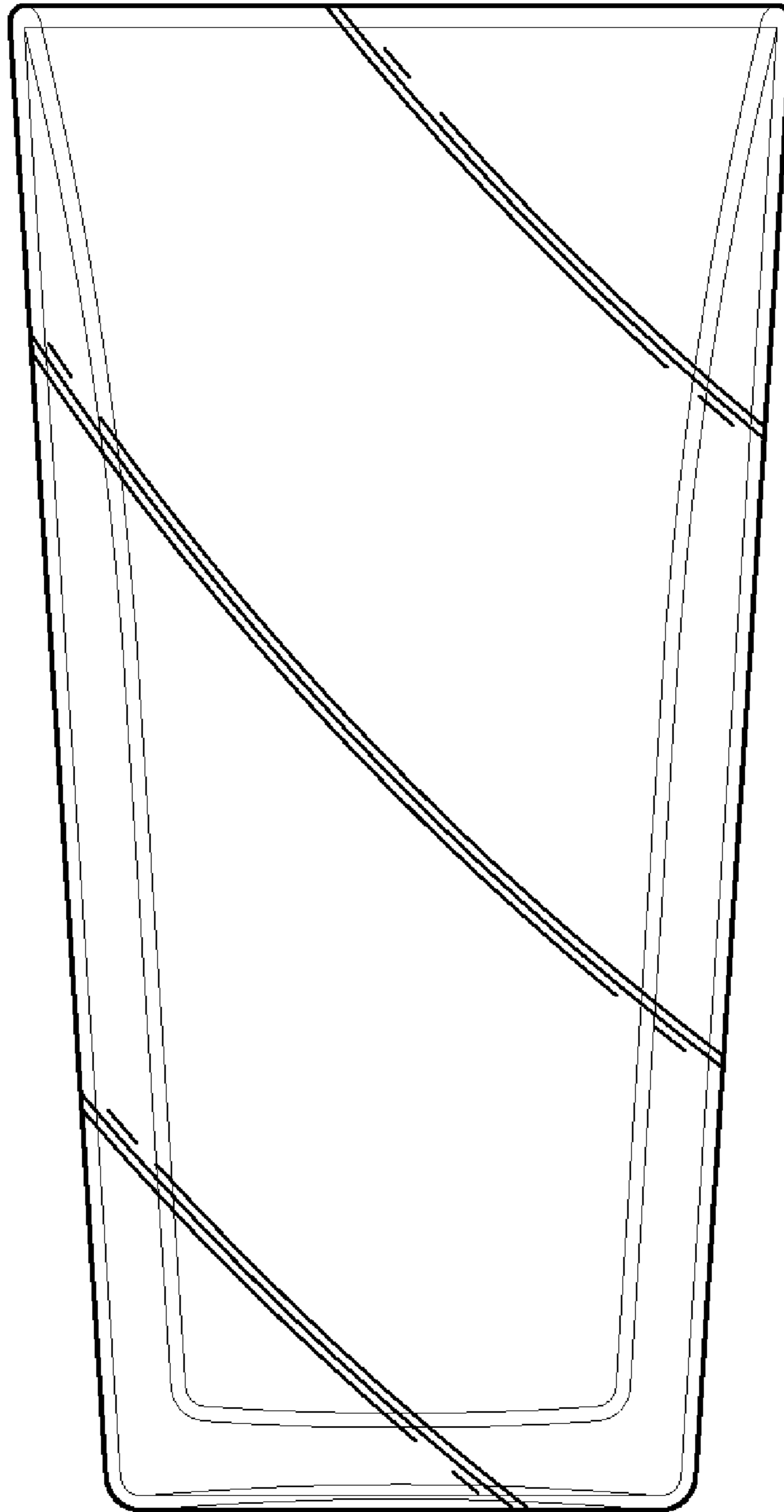


FIG. 5

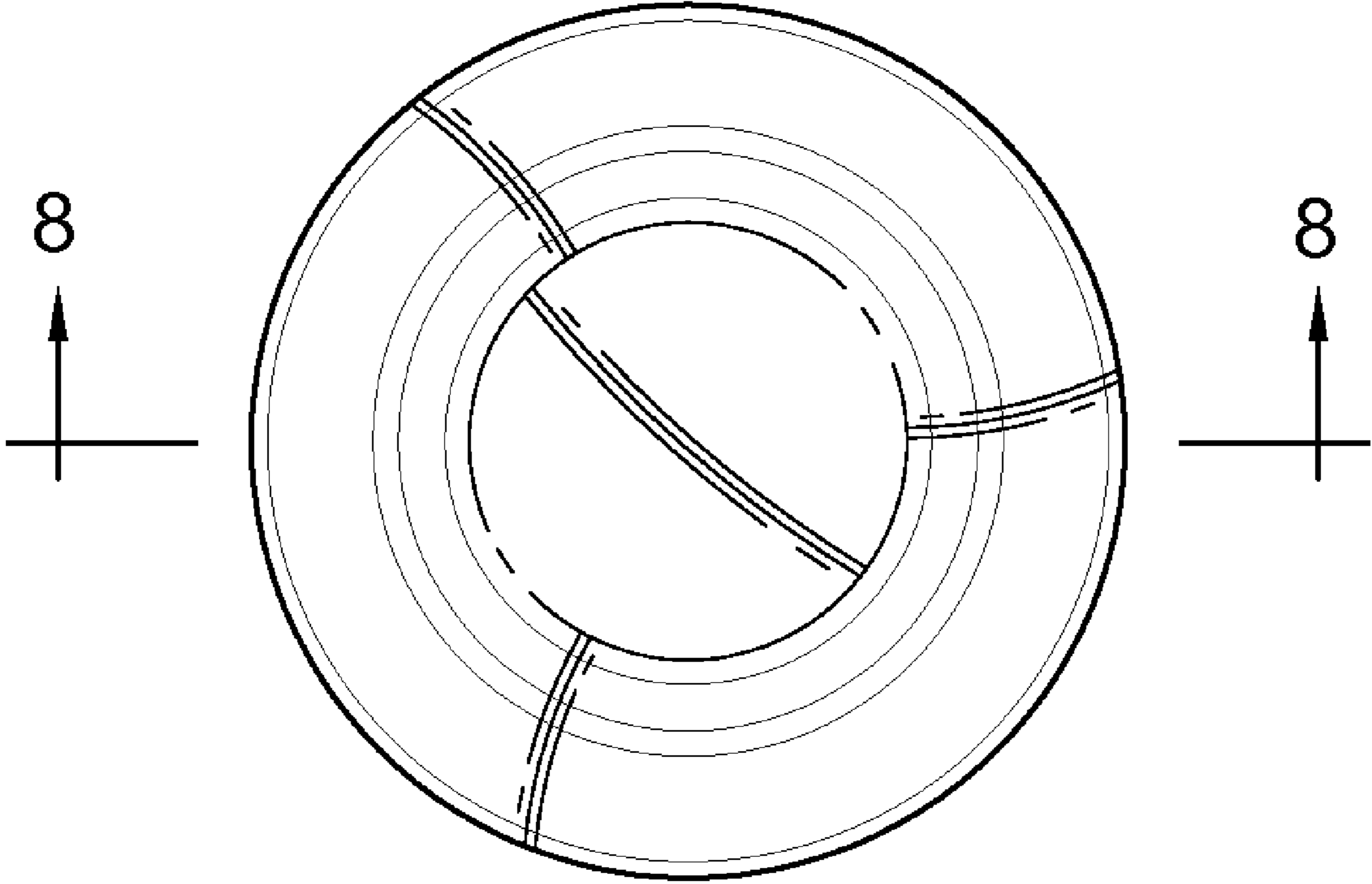


FIG. 6

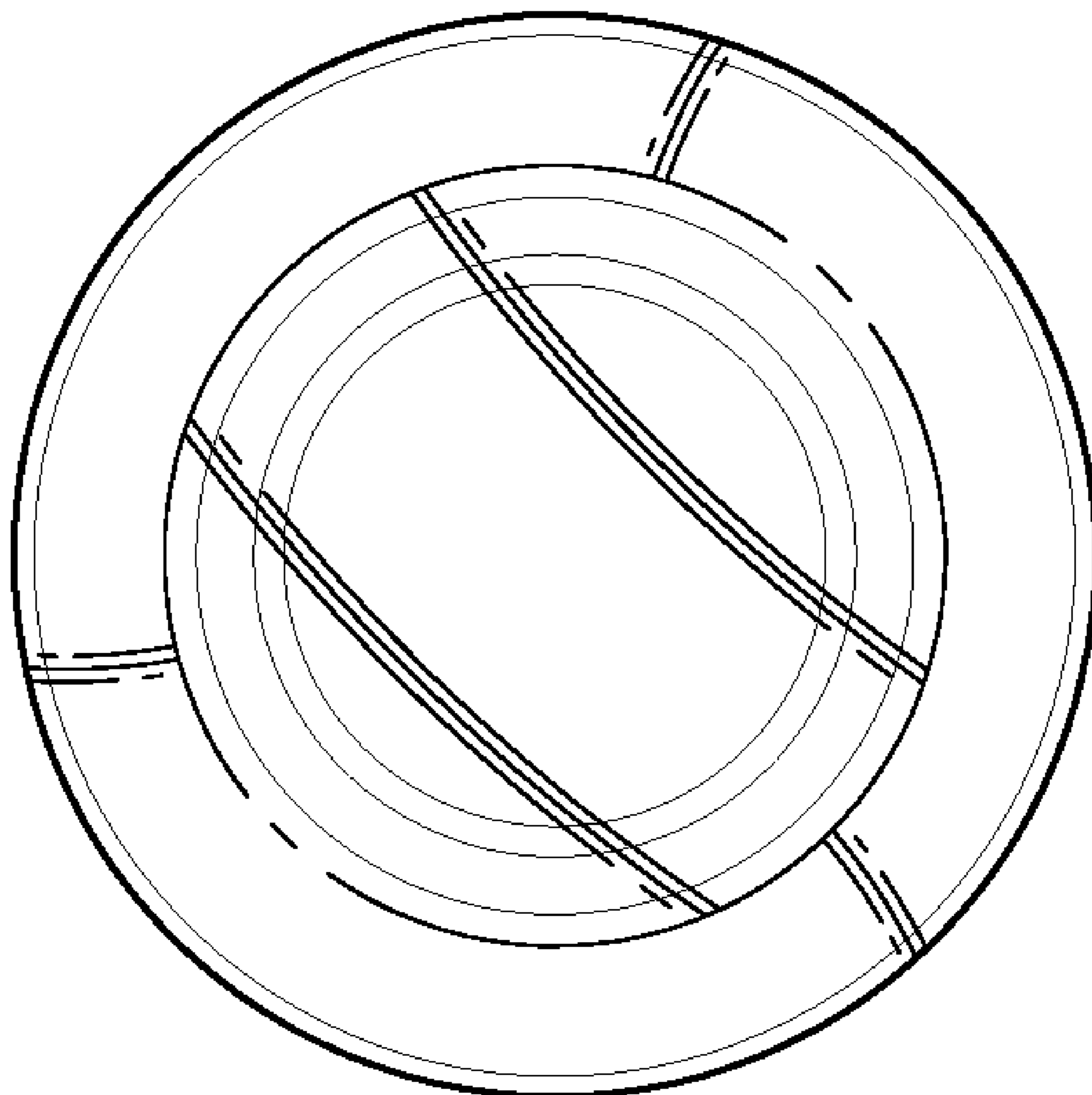


FIG. 7

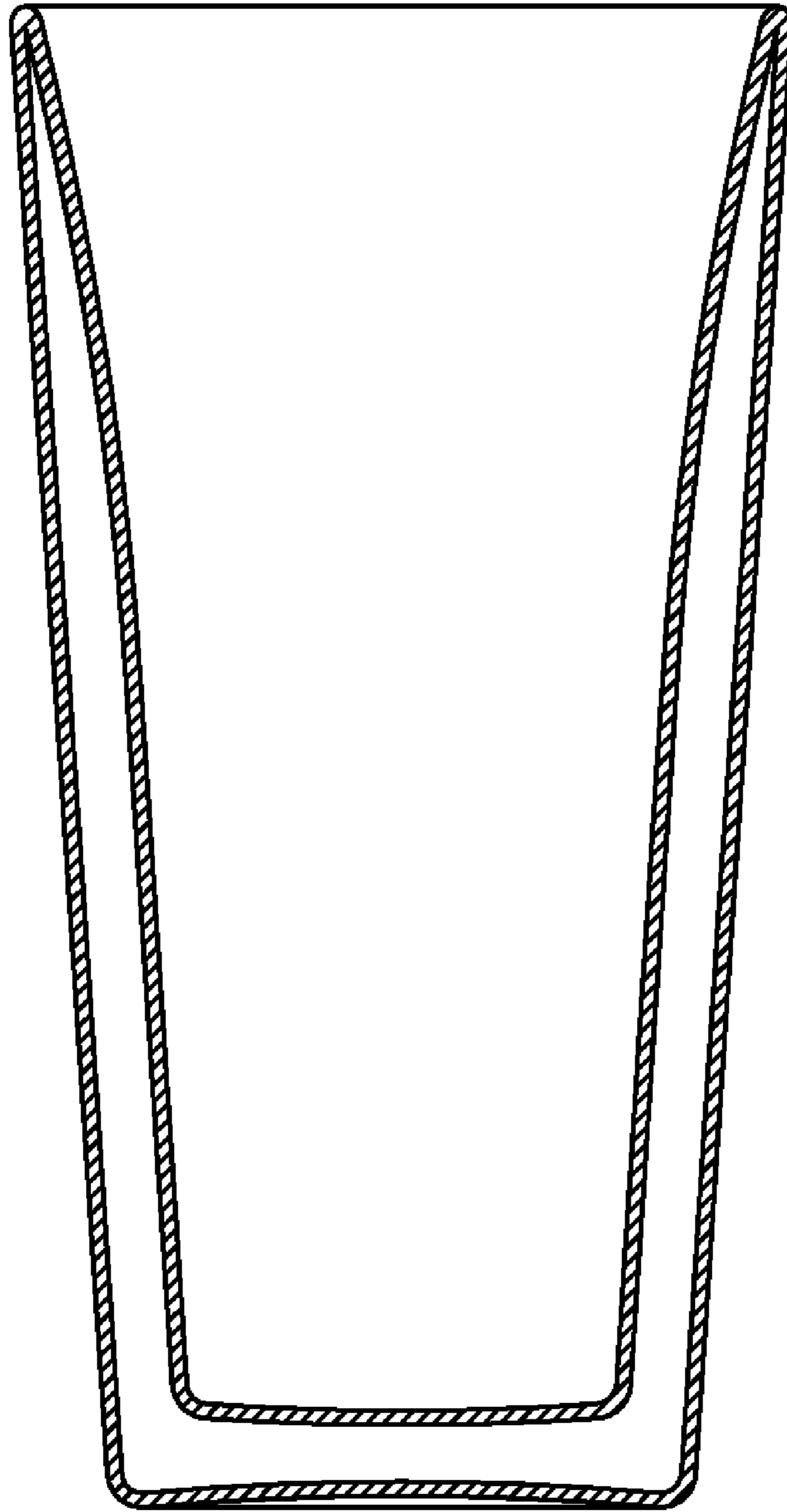


FIG. 8