



US00D581738S

(12) **United States Design Patent**
Bodum

(10) **Patent No.:** **US D581,738 S**
(45) **Date of Patent:** **** Dec. 2, 2008**

(54) **DOUBLE WALLED GLASS**

(75) Inventor: **Jørgen Bodum**, Meggen (CH)

(73) Assignee: **Pi-Design AG**, Triengen (CH)

(**) Term: **14 Years**

(21) Appl. No.: **29/296,635**

(22) Filed: **Oct. 25, 2007**

(30) **Foreign Application Priority Data**

Apr. 25, 2007 (DK) DA 2007 00102

(51) **LOC (8) Cl.** **07-01**

(52) **U.S. Cl.** **D7/523; D7/509**

(58) **Field of Classification Search** D7/535,
D7/536, 533, 523, 509, 619.1, 602, 513;
D9/500; D34/1; 62/457.3; 206/519; 229/400,
229/403; 215/387, DIG. 7; 220/62.18, 23.83,
220/592.16, 592.17, 507, 703, 710.5

See application file for complete search history.

(56) **References Cited**

U.S. PATENT DOCUMENTS

D4,225 S *	7/1870	Atterbury et al.	D9/500
D19,162 S *	6/1889	King	D7/523
D47,800 S *	9/1915	Pick	D7/523
2,493,633 A *	1/1950	Mart	206/519
D211,152 S *	5/1968	Fuerst	D9/500
D224,797 S *	9/1972	Thrush	D7/523
D247,548 S *	3/1978	Crary	D9/428
D282,134 S *	1/1986	Durand	D7/523
D282,997 S *	3/1986	Miller	D7/523
D529,681 S *	10/2006	Michie	D1/105
D553,437 S *	10/2007	Bodum	D7/523
D553,909 S *	10/2007	Bodum	D7/523
D563,733 S *	3/2008	Wang	D7/629

FOREIGN PATENT DOCUMENTS

DK 2006 00059 4/2006

* cited by examiner

Primary Examiner—Philip S Hyder

Assistant Examiner—Cynthia Underwood

(74) *Attorney, Agent, or Firm*—Cowan, Liebowitz & Latman, PC

(57) **CLAIM**

The ornamental design for a double walled glass, as shown and described.

DESCRIPTION

FIG. 1 is a perspective view of a first embodiment of the double walled glass showing my design thereof;

FIG. 2 is a front view thereof;

FIG. 3 is a back view thereof;

FIG. 4 is a right side view thereof;

FIG. 5 is a left side view thereof;

FIG. 6 is a top view thereof;

FIG. 7 is a bottom view thereof;

FIG. 8 is a cross-sectional view thereof taken along line 8—8 of FIG. 6;

FIG. 9 is a perspective view of a second embodiment of the double walled glass showing my design thereof;

FIG. 10 is a front view thereof;

FIG. 11 is a back view thereof;

FIG. 12 is a right side view thereof;

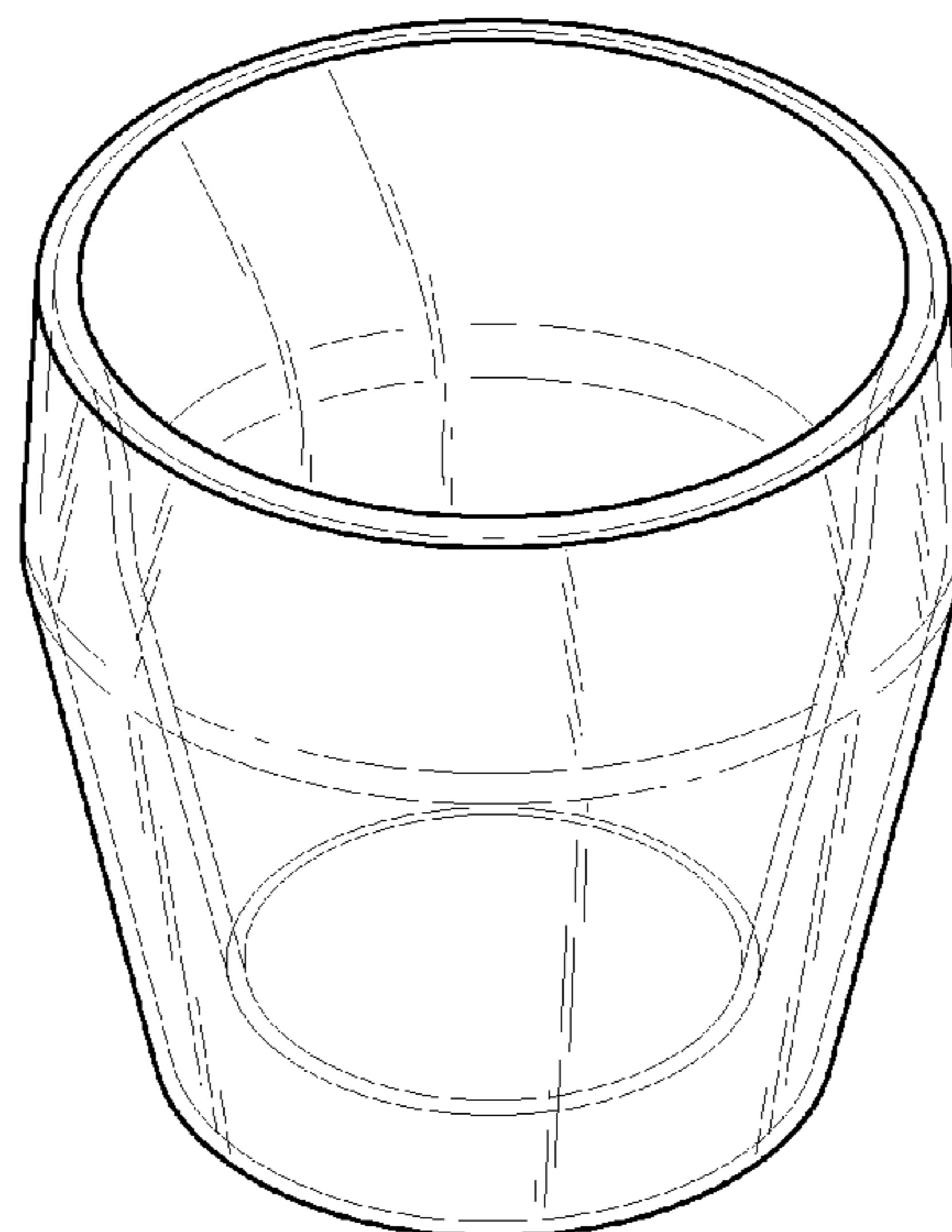
FIG. 13 is a left side view thereof;

FIG. 14 is a top view thereof;

FIG. 15 is a bottom view thereof; and,

FIG. 16 is a cross-sectional view thereof taken along line 16—16 of FIG. 14.

1 Claim, 16 Drawing Sheets



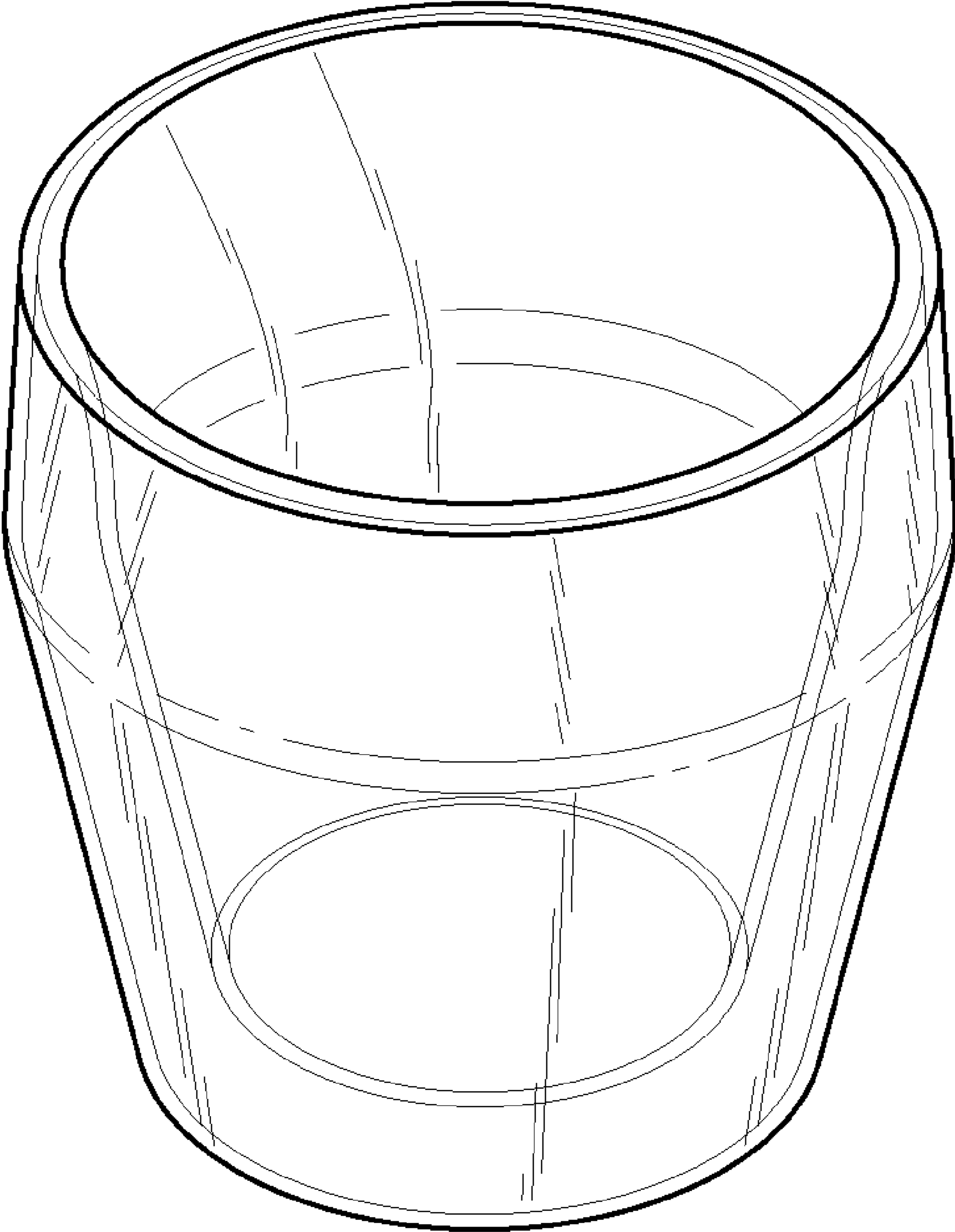


FIG. 1

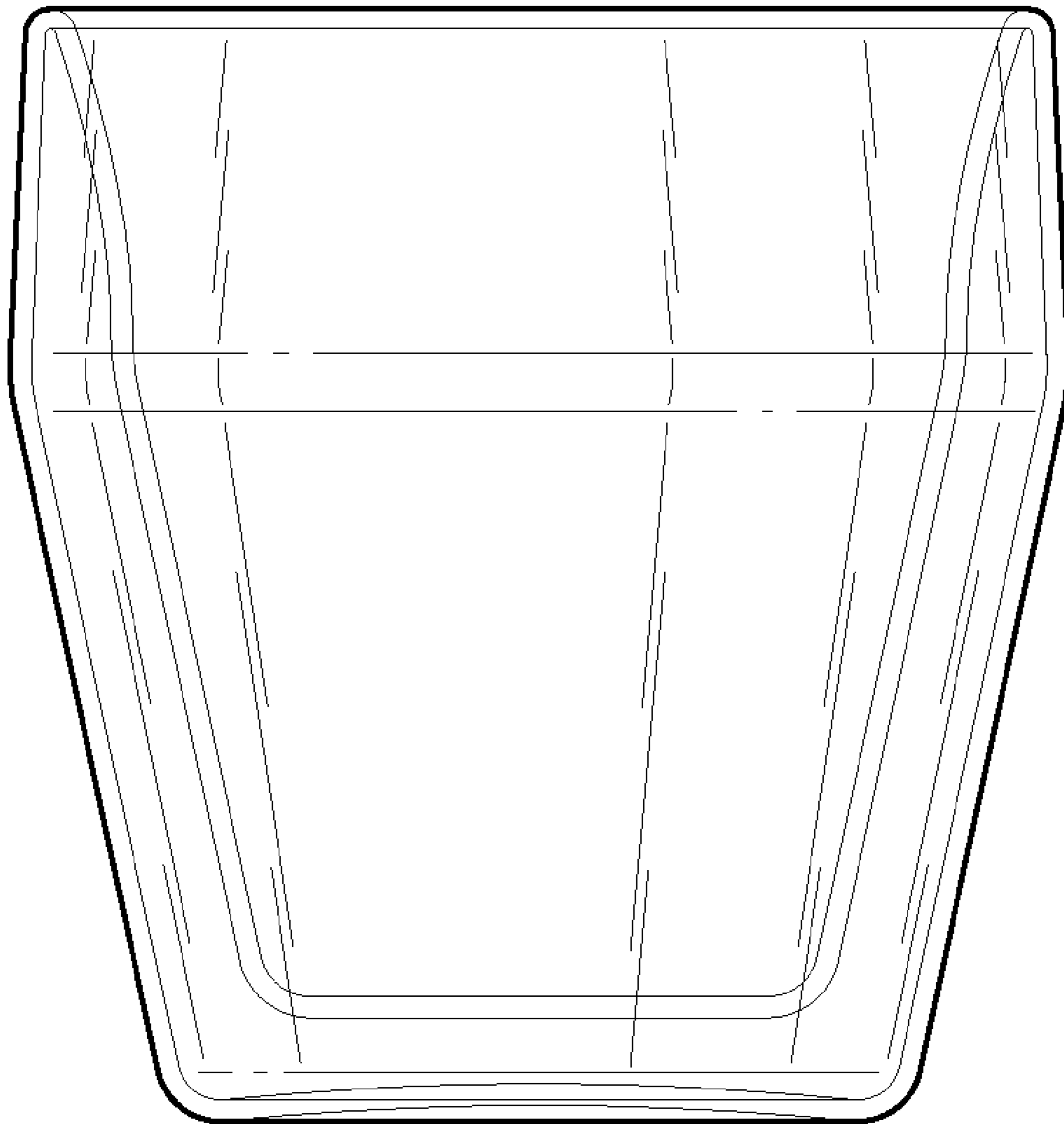


FIG. 2

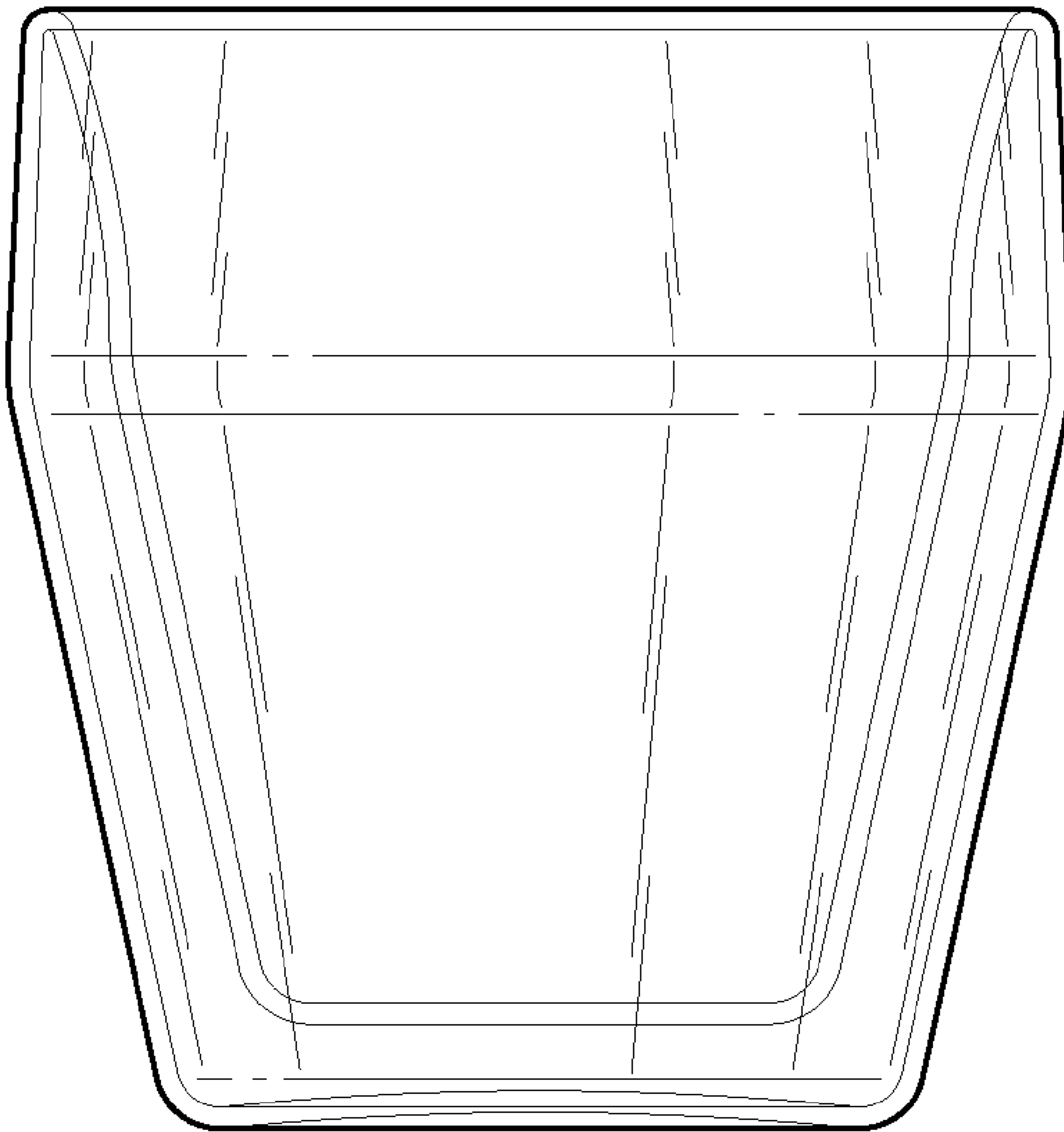


FIG. 3

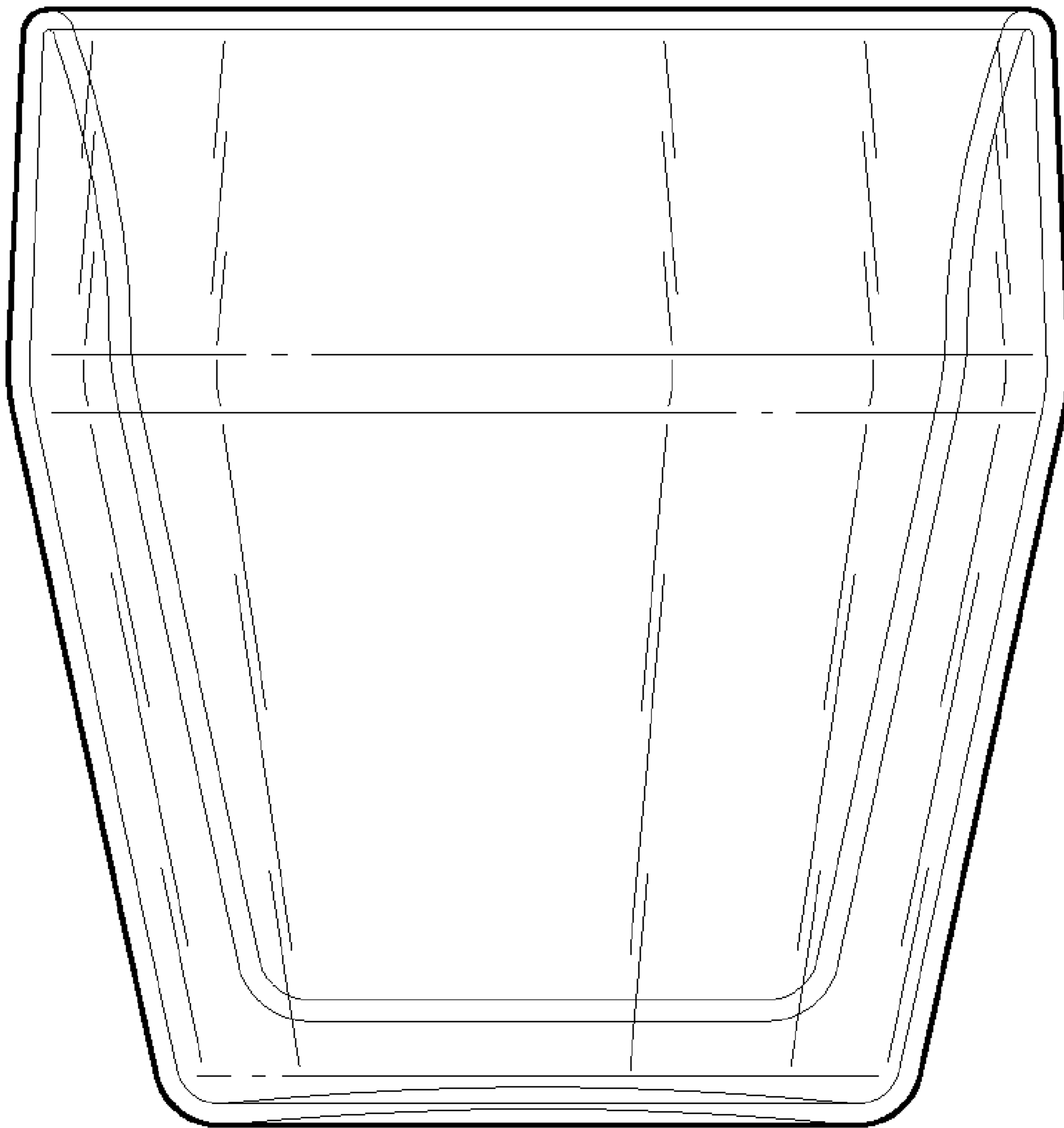


FIG. 4

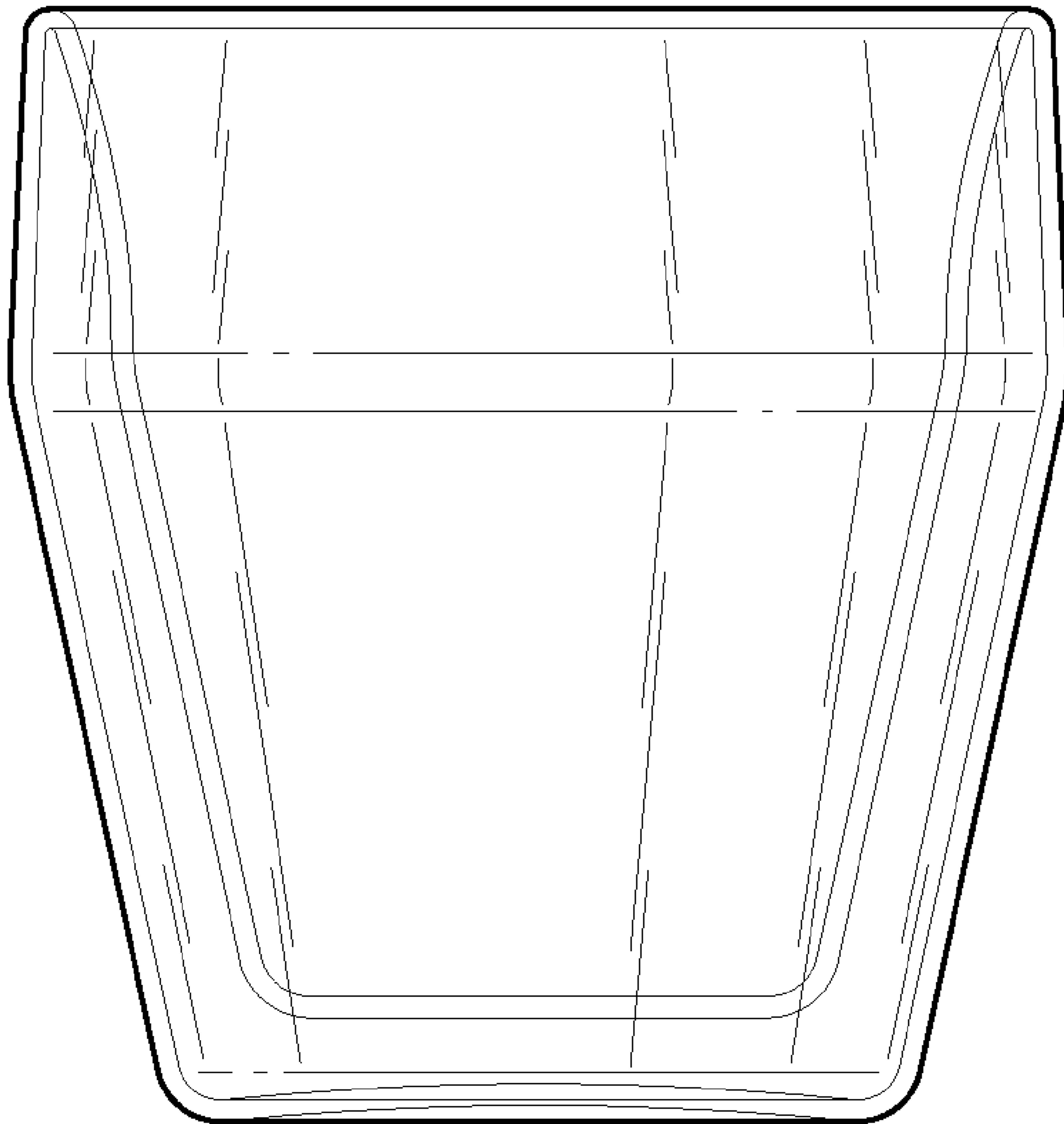


FIG. 5

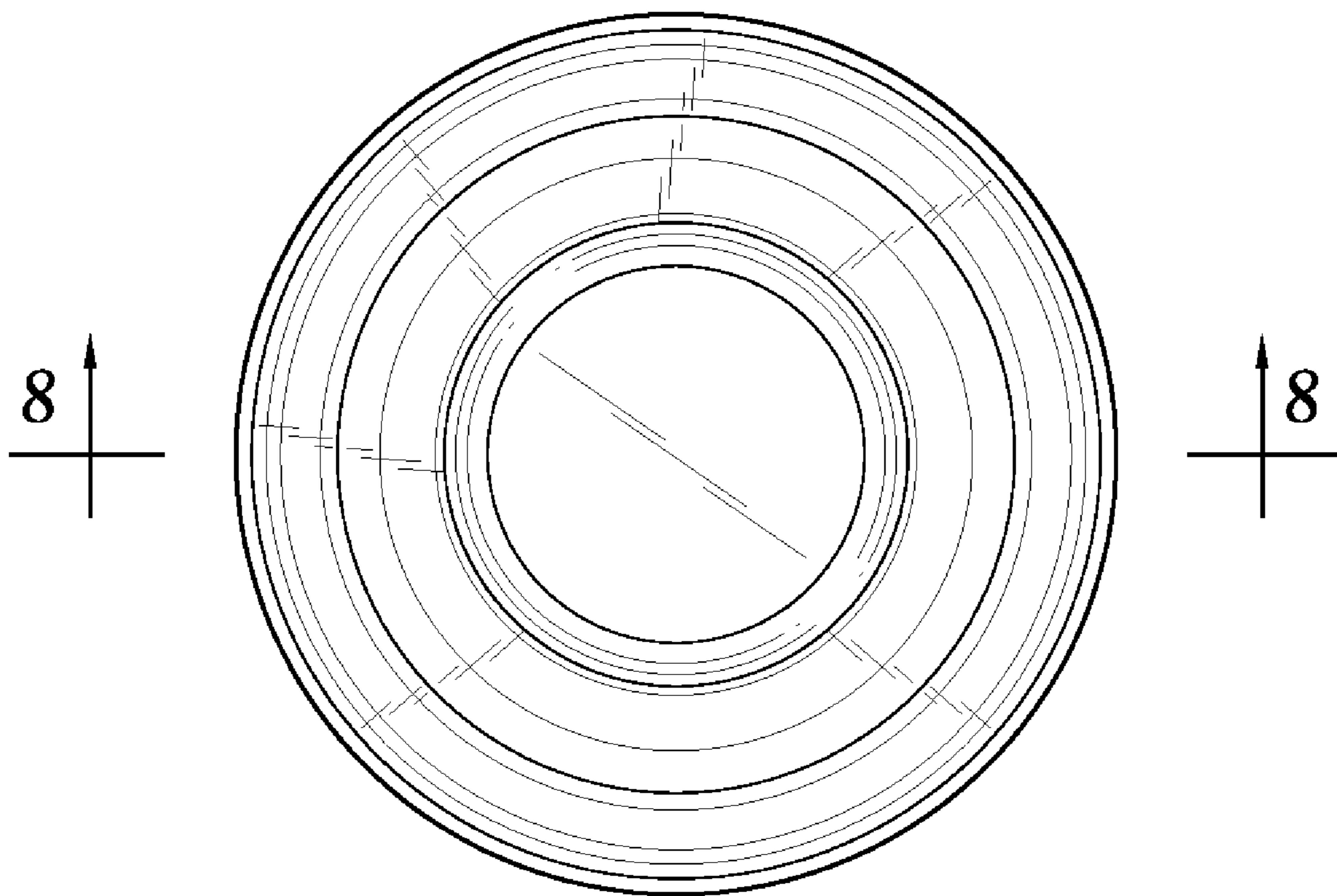


FIG. 6

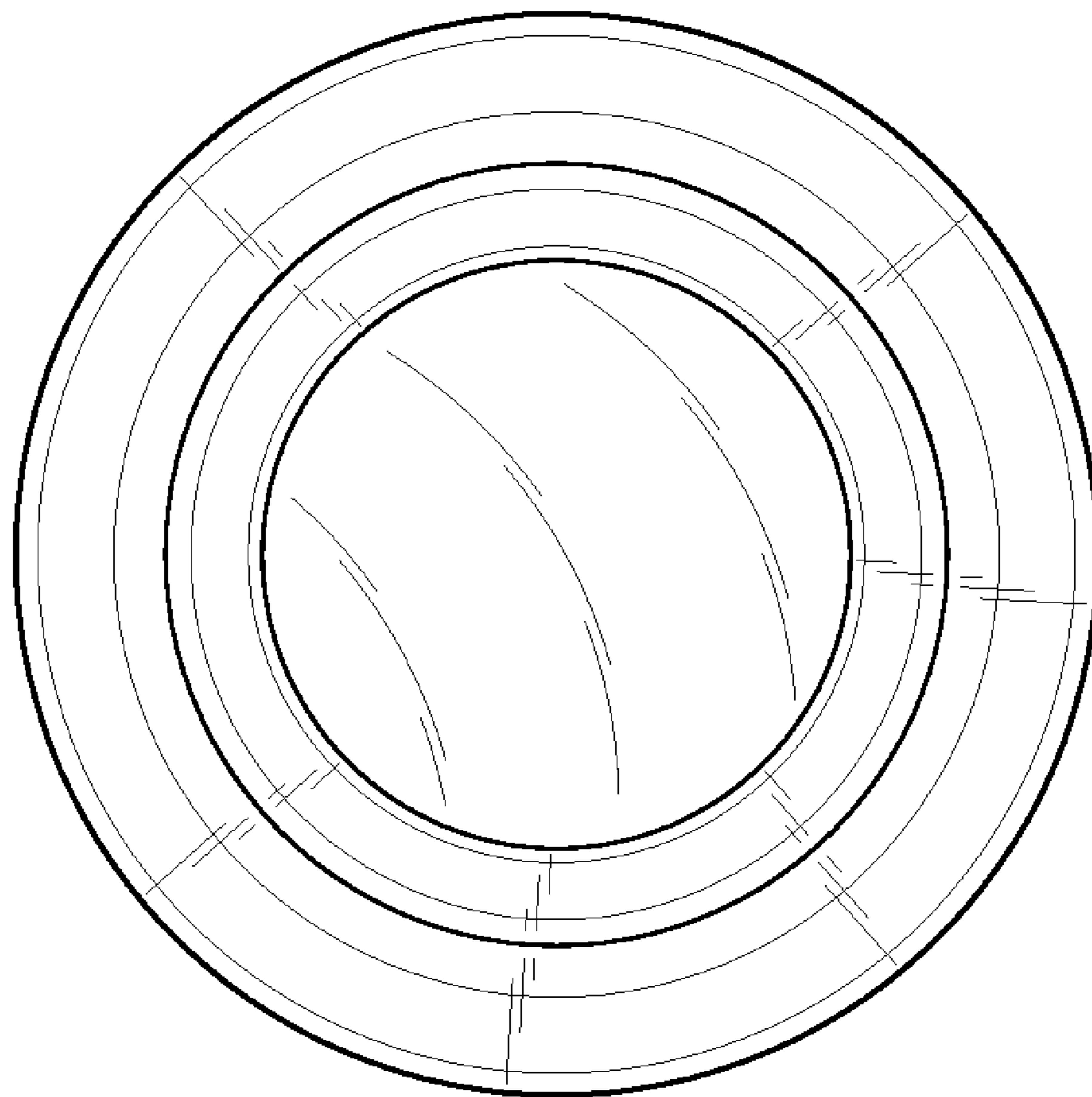


FIG. 7

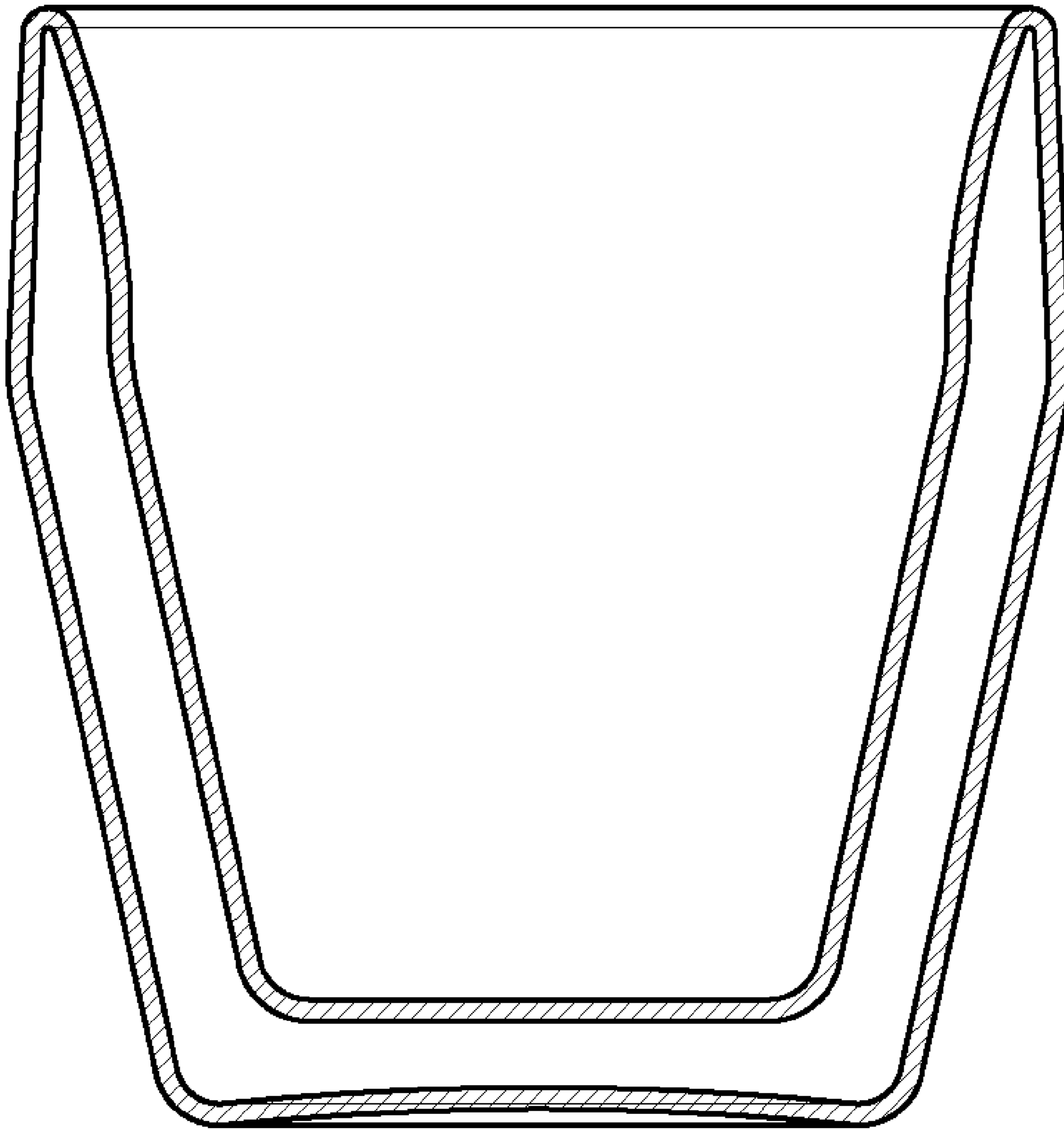


FIG. 8

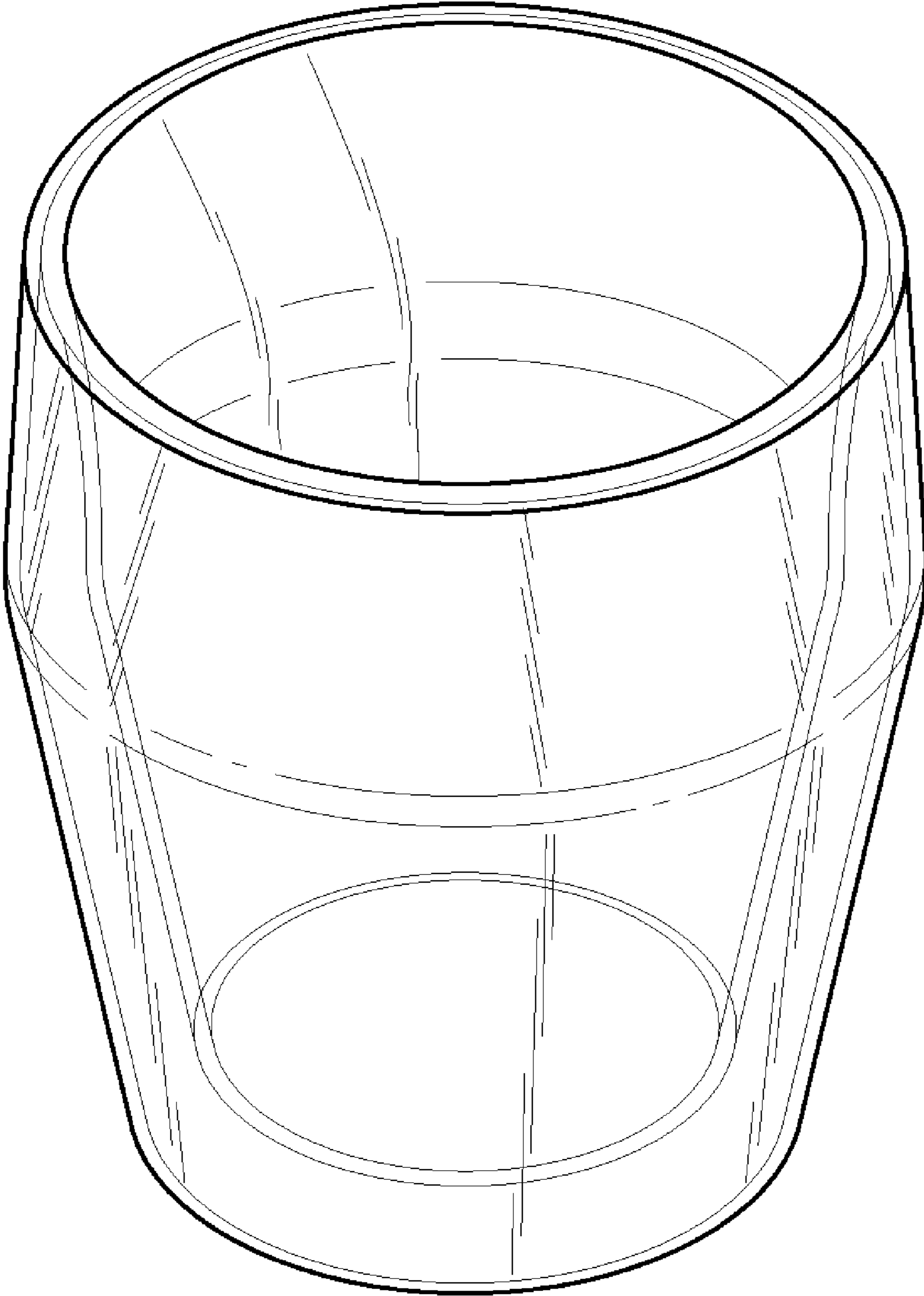


FIG. 9

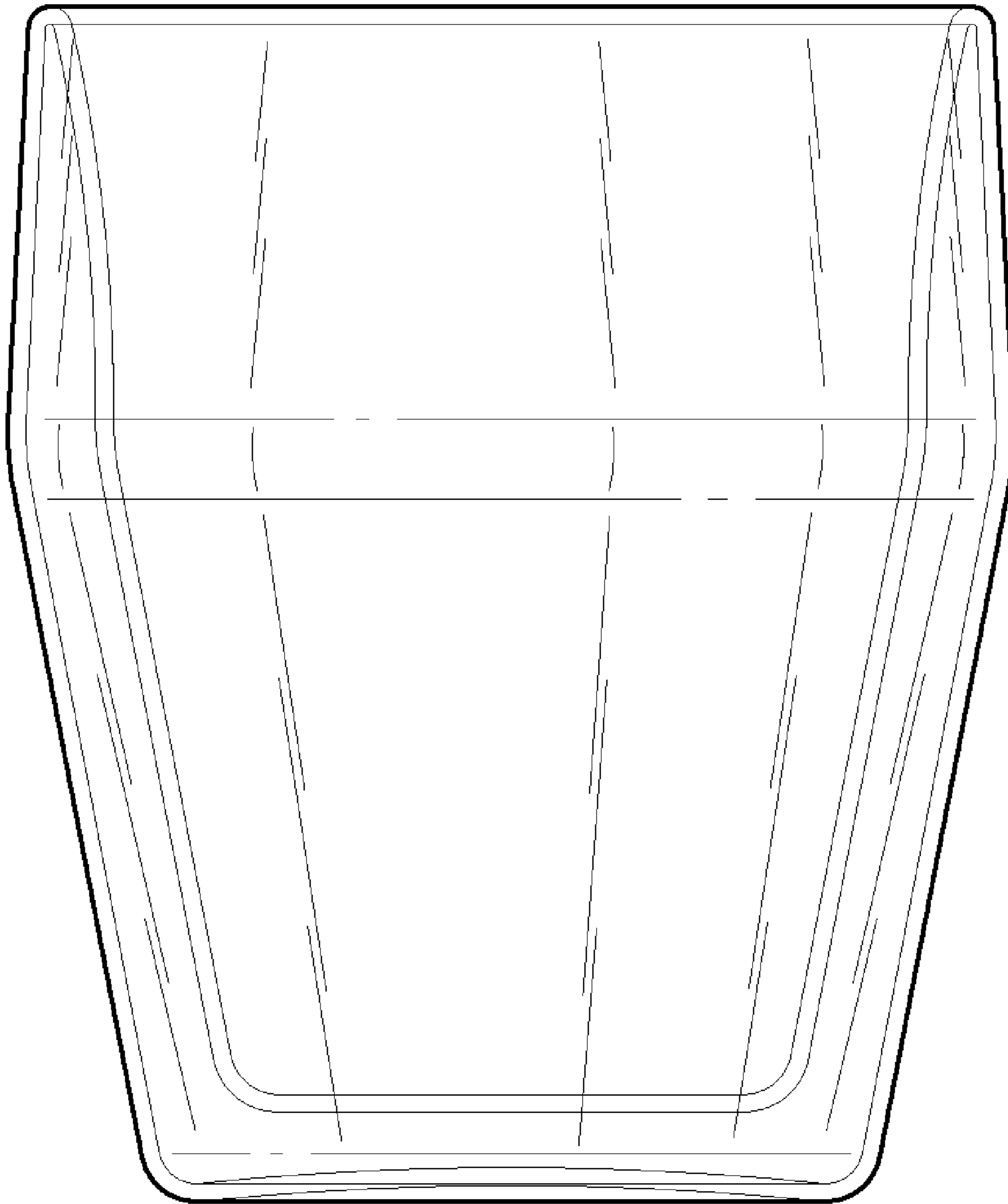


FIG. 10

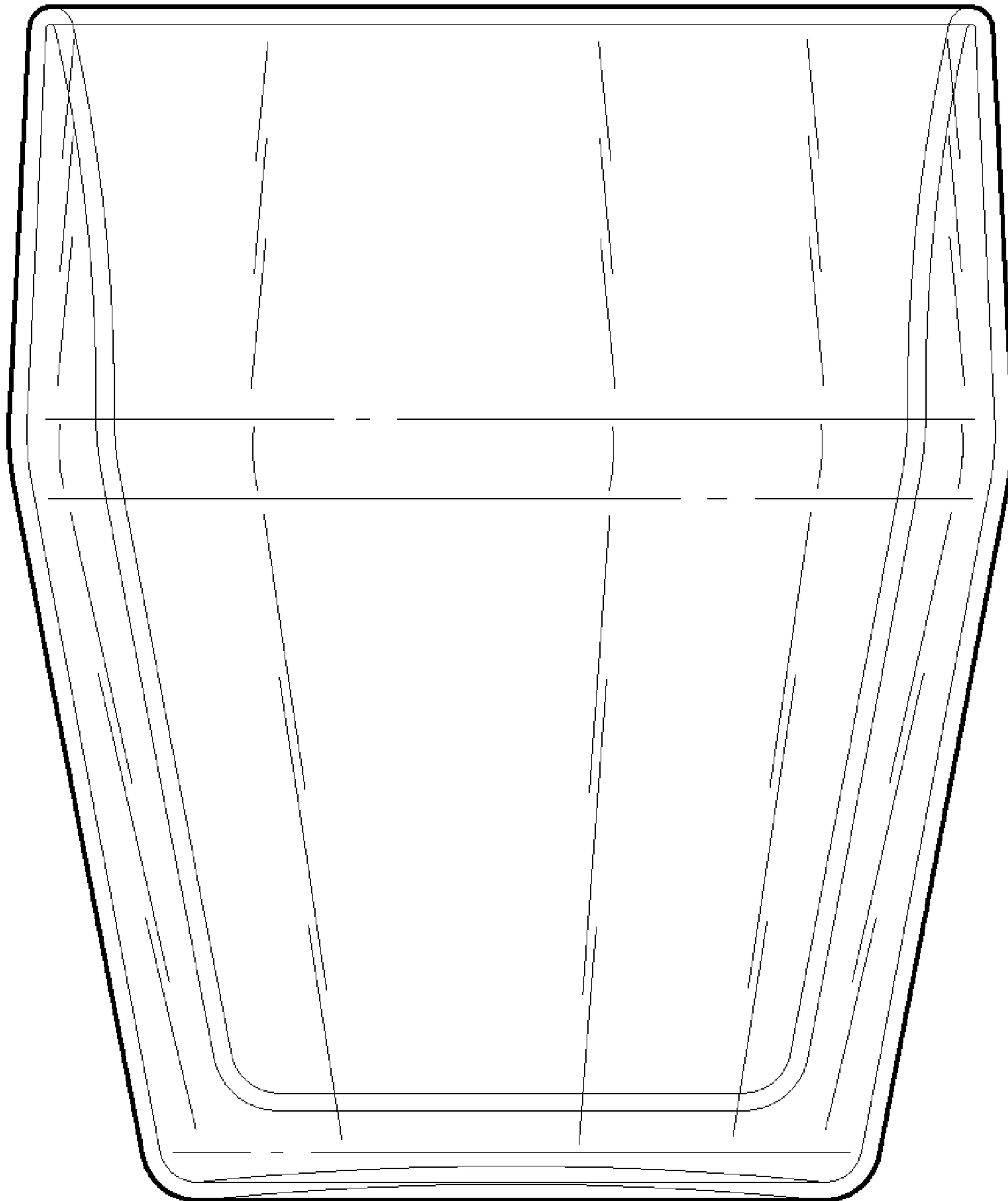


FIG. 11

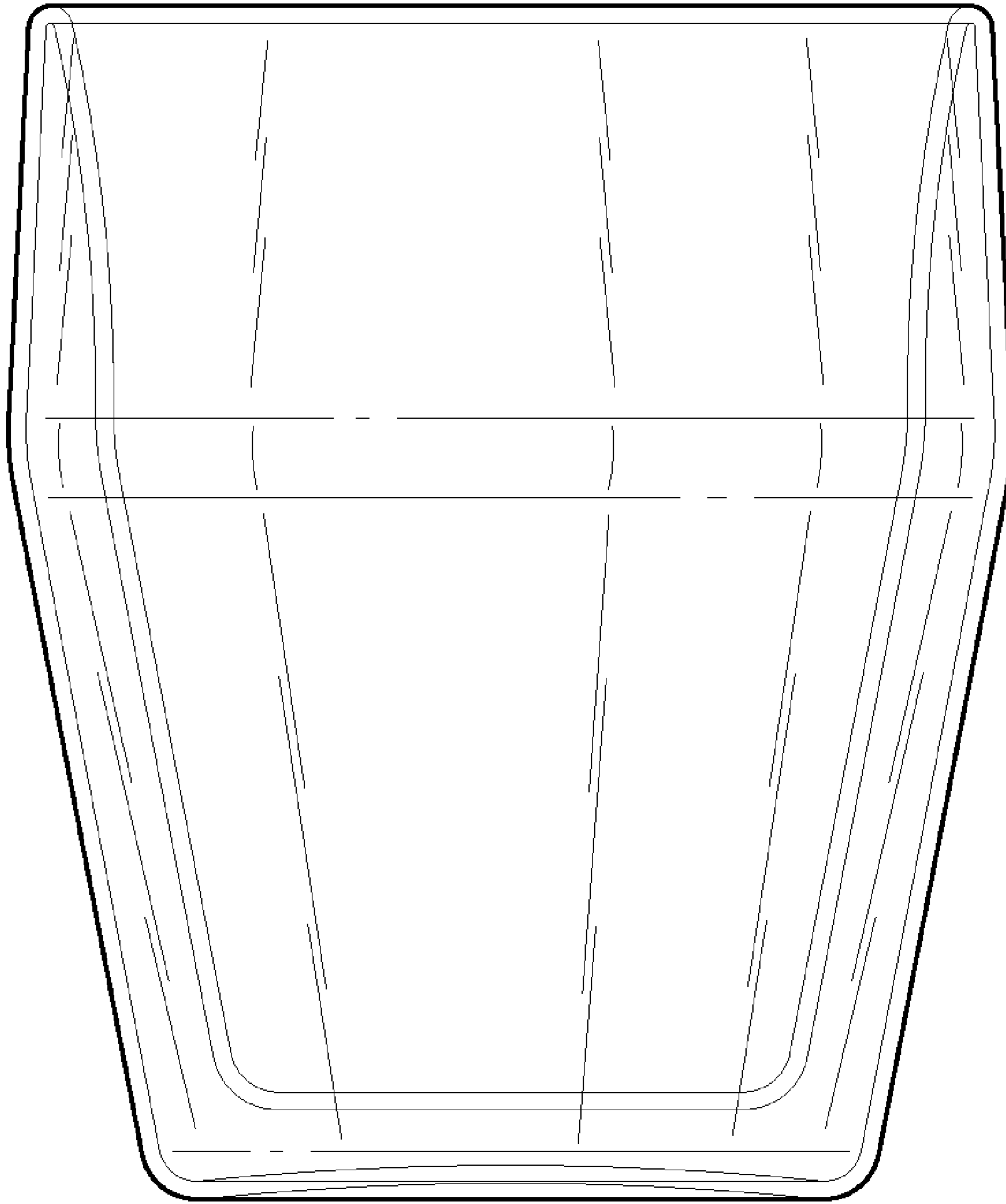


FIG. 12

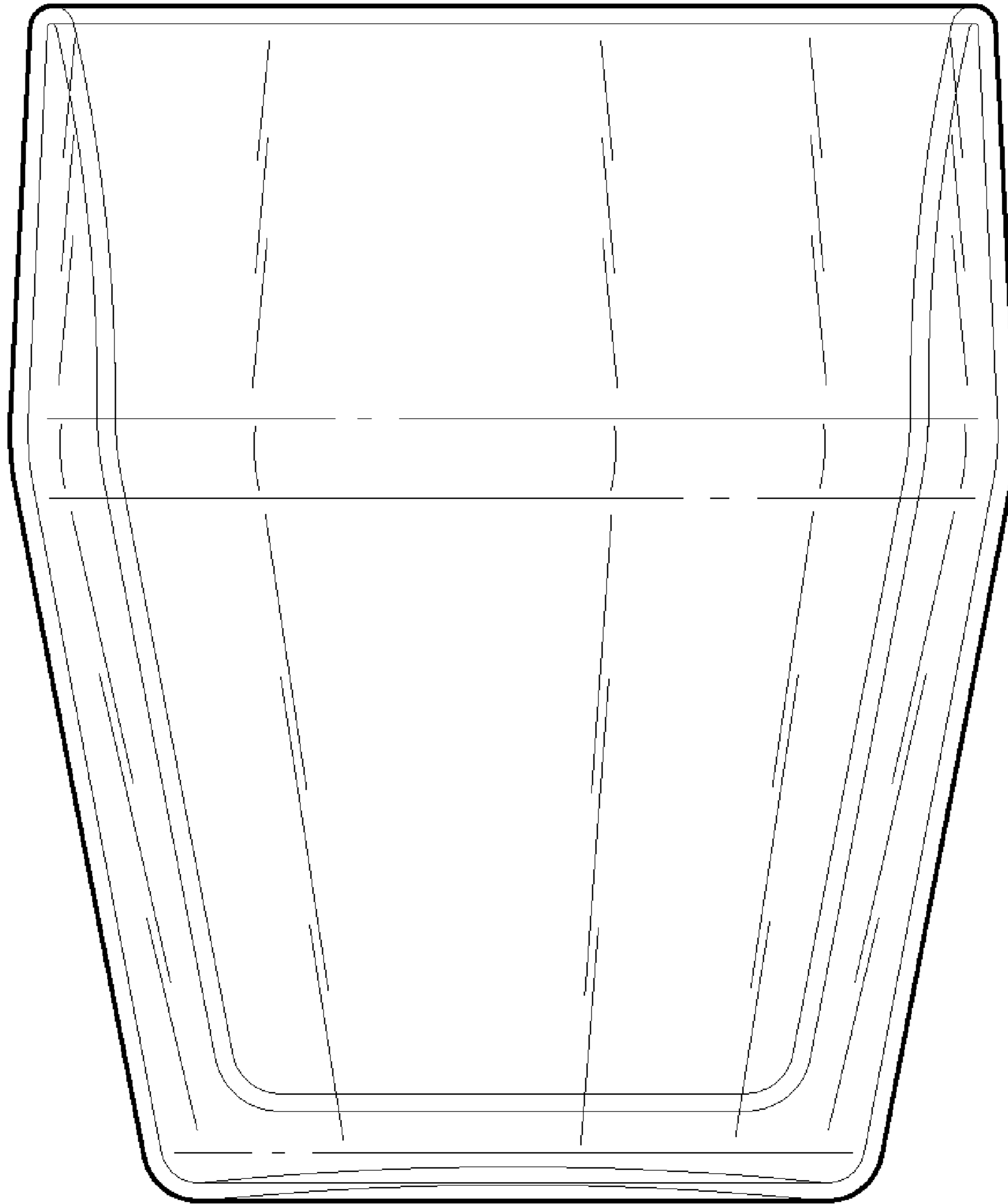


FIG. 13

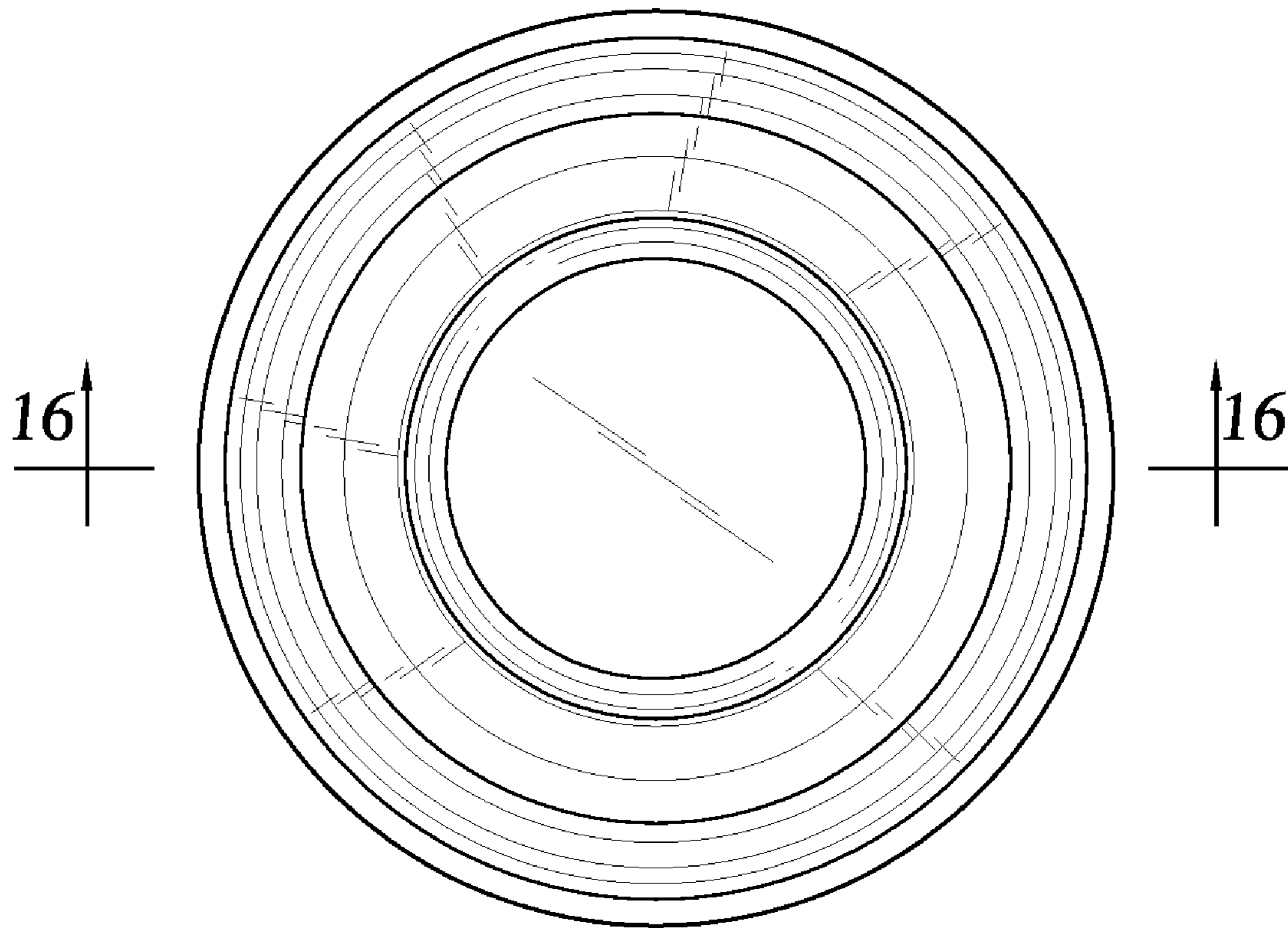


FIG. 14

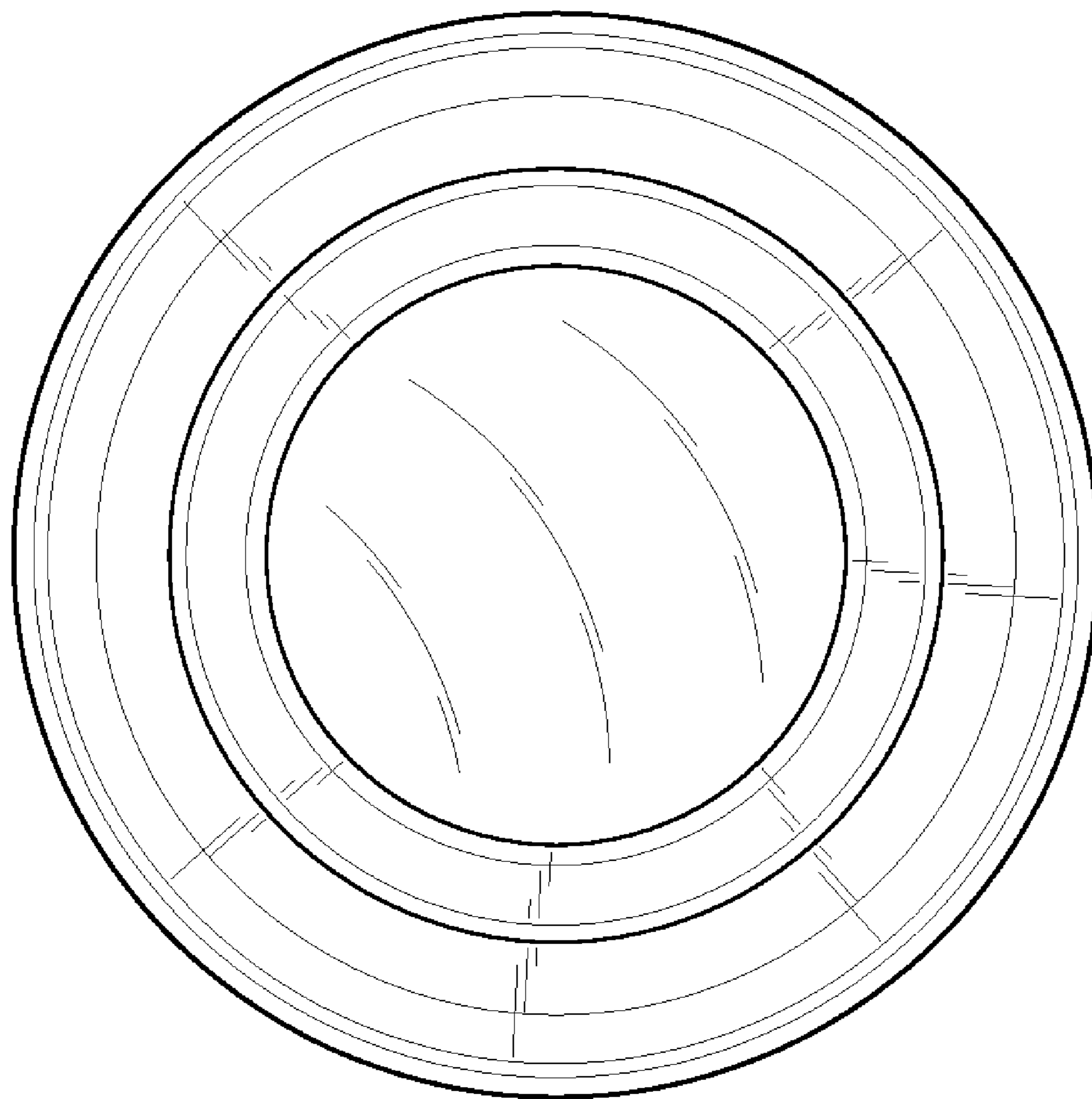


FIG. 15

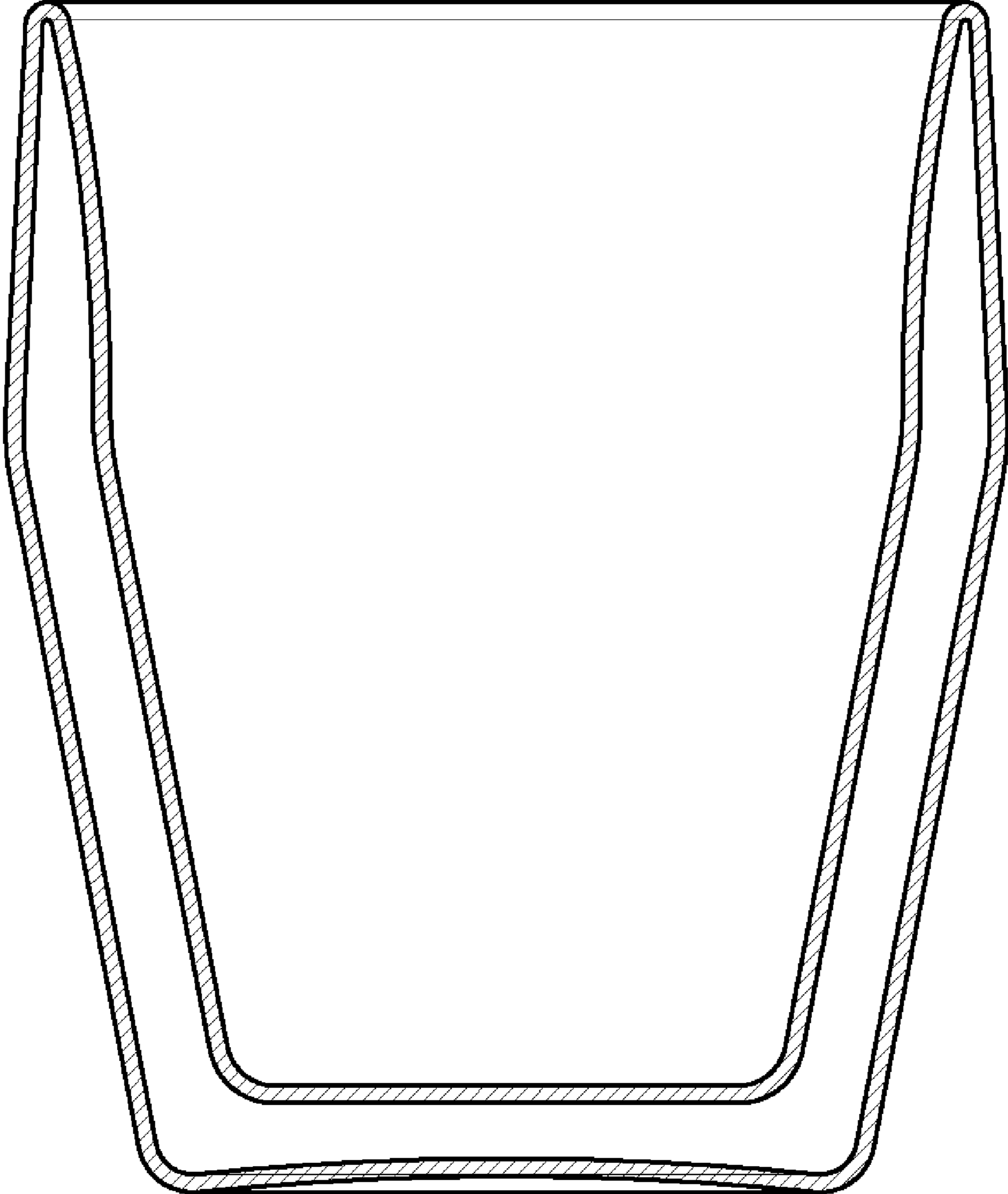


FIG. 16