



US00D581735S

(12) **United States Design Patent**
McKenzie

(10) **Patent No.:** **US D581,735 S**
(45) **Date of Patent:** **** Dec. 2, 2008**

- (54) **BARBEQUE**
- (75) Inventor: **Stuart T. McKenzie**, Wyevale (CA)
- (73) Assignee: **Wolfedale Engineering Limited**,
Ontario (CA)
- (**) Term: **14 Years**
- (21) Appl. No.: **29/284,634**
- (22) Filed: **Sep. 12, 2007**
- (30) **Foreign Application Priority Data**
Sep. 5, 2007 (CA) 122175
- (51) **LOC (8) Cl.** **07-02**
- (52) **U.S. Cl.** **D7/402**
- (58) **Field of Classification Search** D7/332,
D7/334, 335, 336, 402-405; 126/25 R, 25 A,
126/25 AA, 9 R, 37 R, 41 R, 40, 50, 304 R,
126/305, 268, 276; 312/249.8, 249.13
See application file for complete search history.

- 4,094,295 A 6/1978 Boswell et al.
- 4,430,559 A 2/1984 Rabay
- 4,499,630 A 2/1985 Harris et al.
- D282,619 S 2/1986 Fitzgerald et al.
- 4,649,599 A 3/1987 Beller
- 4,667,652 A 5/1987 Bunton
- 4,924,846 A 5/1990 Peacock et al.
- 4,955,358 A 9/1990 Harris et al.
- 4,979,437 A 12/1990 Giebel
- 4,985,068 A 1/1991 Hoffmann et al.
- 5,050,577 A 9/1991 Baynes et al.
- 5,076,256 A 12/1991 Raymer et al.
- 5,076,257 A 12/1991 Raymer et al.
- 5,088,470 A 2/1992 James, Jr. et al.
- 5,090,398 A 2/1992 Raymer et al.
- 5,277,106 A 1/1994 Raymer et al.
- 5,323,758 A 6/1994 Minshall et al.

(Continued)

FOREIGN PATENT DOCUMENTS

CA 2046027 7/1991

(Continued)

Primary Examiner—Ruth McInroy
(74) *Attorney, Agent, or Firm*—Taylor & Aust, P.C.

(56) **References Cited**
U.S. PATENT DOCUMENTS

- 0,164,190 A 6/1875 Lamb
- D029,440 S 10/1898 Herr
- 0,913,149 A 2/1909 McNulty
- 1,181,138 A 5/1916 Herzberger
- 1,187,009 A 6/1916 Pickup
- 1,187,037 A 6/1916 Burd
- 1,420,043 A 6/1922 Lasbury
- 1,545,494 A 7/1925 Holl
- 1,550,698 A 8/1925 Hazelett
- D193,052 S 6/1962 Szenher
- D193,179 S 7/1962 Rutman et al.
- 3,046,970 A 7/1962 Seaman
- 3,224,357 A 12/1965 Rubens
- 3,386,432 A 6/1968 Hanson
- 3,455,291 A 7/1969 Glass
- 3,538,908 A 11/1970 Well et al.
- 3,567,065 A 3/1971 Dinse

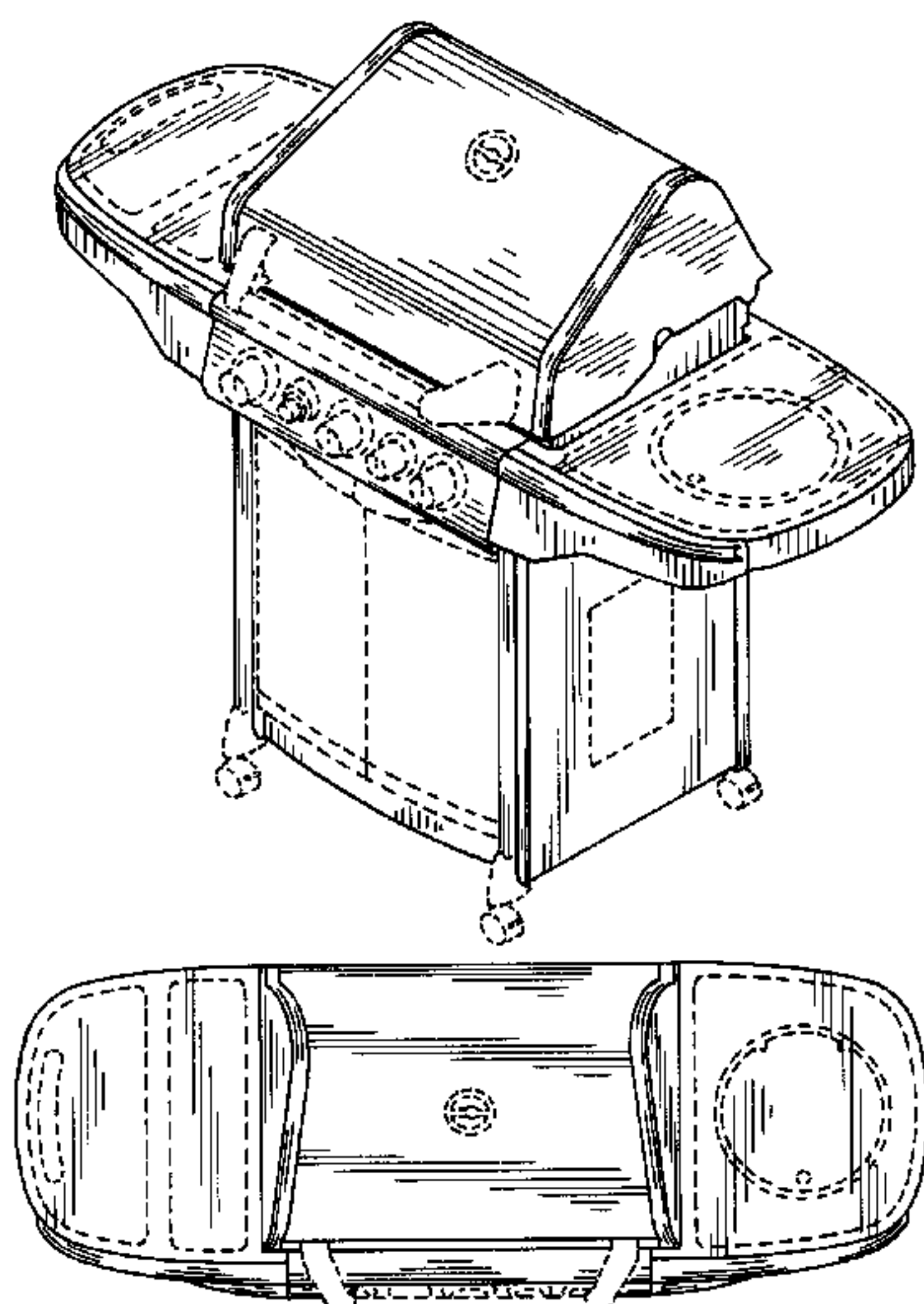
(57) **CLAIM**

The ornamental design for a barbeque, as shown and described.

DESCRIPTION

FIG. 1 is a perspective view of a barbeque showing my new design;
FIG. 2 is a top view thereof;
FIG. 3 is a front view thereof; and,
FIG. 4 is a side view thereof, the opposite side being a mirror image.
The details shown in broken lines in the drawings form no part of the claimed design.

1 Claim, 2 Drawing Sheets



US D581,735 S

Page 2

U.S. PATENT DOCUMENTS

5,408,985 A 4/1995 Giebel et al.
 5,471,916 A 12/1995 Bird et al.
 5,499,427 A 3/1996 Bowman
 5,572,983 A 11/1996 Schlosser et al.
 5,579,755 A 12/1996 Johnston
 D377,734 S 2/1997 Bird et al.
 5,623,866 A 4/1997 Home
 5,666,941 A 9/1997 Teufel et al.
 D404,963 S 2/1999 Schlosser et al.
 D406,009 S 2/1999 Wagner et al.
 D406,488 S 3/1999 Bates et al.
 D406,489 S 3/1999 Williams et al.
 5,927,267 A 7/1999 McKenzie
 5,941,228 A 8/1999 McKenzie
 D416,164 S 11/1999 Wagner et al.
 D425,366 S 5/2000 Pai
 D426,101 S 6/2000 Pai
 D426,741 S 6/2000 Pai
 D433,279 S 11/2000 Schlosser et al.
 D435,396 S 12/2000 Wagner
 D436,004 S 1/2001 Wagner
 D436,498 S 1/2001 Carlson et al.
 D437,177 S 2/2001 Giebel et al.
 D438,059 S 2/2001 Wagner et al.
 D438,060 S 2/2001 Campbell et al.
 D438,427 S 3/2001 Campbell et al.
 D449,492 S 10/2001 Wagner et al.
 D454,031 S 3/2002 Crookshanks
 D460,312 S 7/2002 Fry et al.
 D460,313 S 7/2002 Crookshanks et al.
 D461,359 S 8/2002 Coleman et al.
 D462,227 S 9/2002 Alden et al.
 D462,234 S 9/2002 Alden et al.
 D462,564 S 9/2002 Brake et al.
 6,463,630 B1 10/2002 Howie, Jr.
 D467,489 S 12/2002 Rubinson
 D470,357 S 2/2003 Home
 D471,057 S 3/2003 Chung
 D471,761 S 3/2003 Choi et al.

D472,422 S 4/2003 Pai
 D472,756 S 4/2003 Pai
 D474,070 S 5/2003 McKenzie
 6,561,179 B1 5/2003 Brake et al.
 6,687,957 B2 2/2004 Worrell
 D491,414 S 6/2004 Nichols et al.
 D493,090 S 7/2004 Chen et al.
 D494,009 S 8/2004 Joss et al.
 D503,065 S 3/2005 Pai
 D508,366 S 8/2005 Wilsdorf
 D511,083 S 11/2005 Gurzenda et al.
 D516,367 S 3/2006 Lutz et al.
 D520,298 S 5/2006 Huegerich et al.
 D521,308 S 5/2006 Tseng
 D525,829 S 8/2006 Chung
 D526,842 S 8/2006 Chung
 D536,927 S 2/2007 McKenzie
 D538,592 S 3/2007 McKenzie
 D538,593 S 3/2007 McKenzie
 D539,087 S 3/2007 McKenzie
 D541,575 S * 5/2007 Lutz D7/334
 D541,588 S 5/2007 McKenzie
 D542,089 S * 5/2007 McKenzie D7/402
 D546,622 S * 7/2007 McKenzie D7/402
 D547,594 S * 7/2007 Pai D7/334
 D549,511 S * 8/2007 Chung D7/334
 D549,514 S * 8/2007 Chung D7/334
 D549,521 S 8/2007 McKenzie
 D559,619 S * 1/2008 McKenzie D7/402
 D560,418 S * 1/2008 Chau et al. D7/334
 2002/0020303 A1 2/2002 Johnson
 2002/0020405 A1 2/2002 Coleman et al.
 2003/0029436 A1 2/2003 Carden et al.
 2003/0110591 A1 6/2003 Christensen et al.
 2003/0154971 A1 8/2003 Chapman
 2004/0154608 A1 8/2004 Ward et al.

FOREIGN PATENT DOCUMENTS

DE 8800260.8 10/1988

* cited by examiner

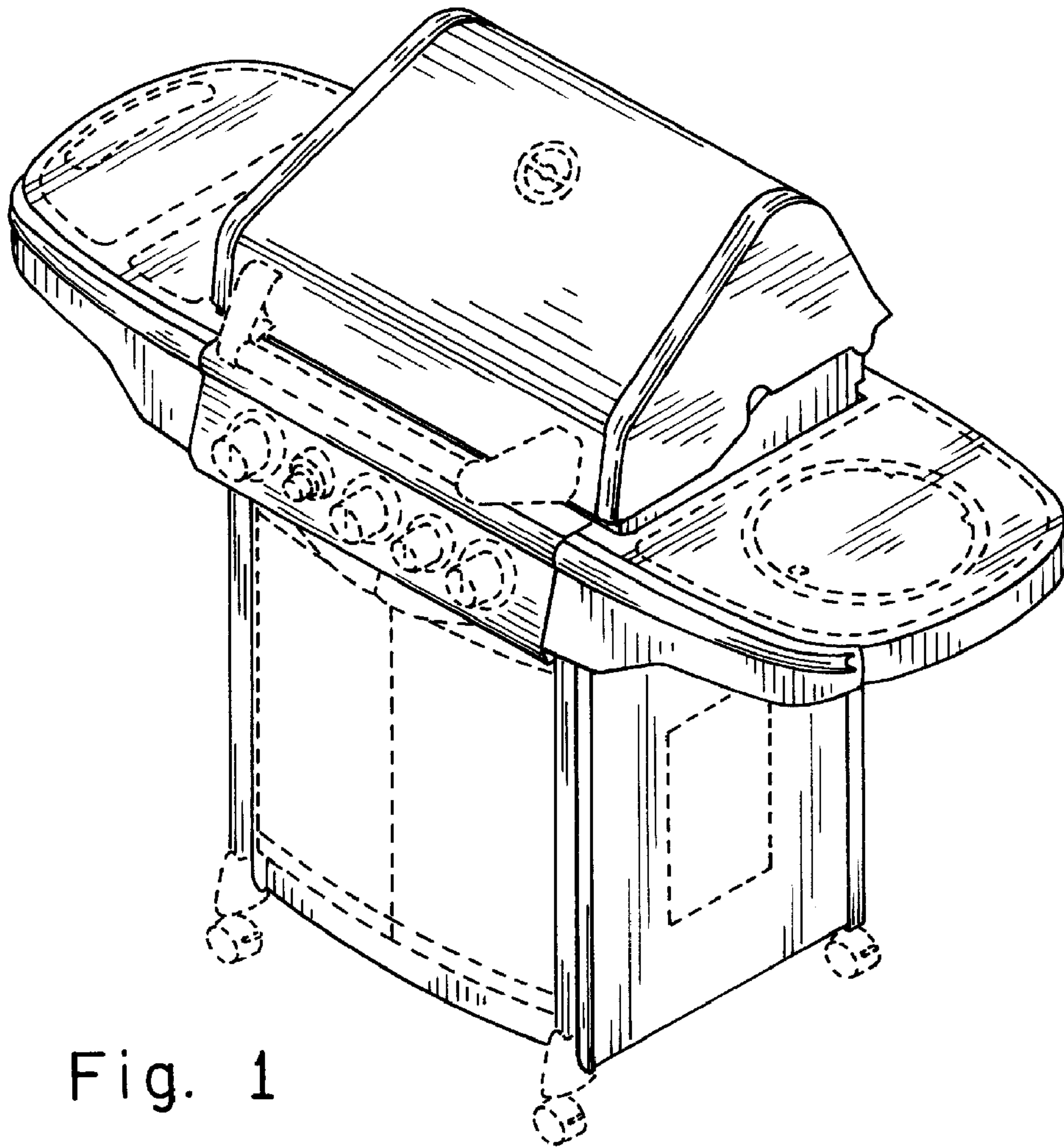


Fig. 1

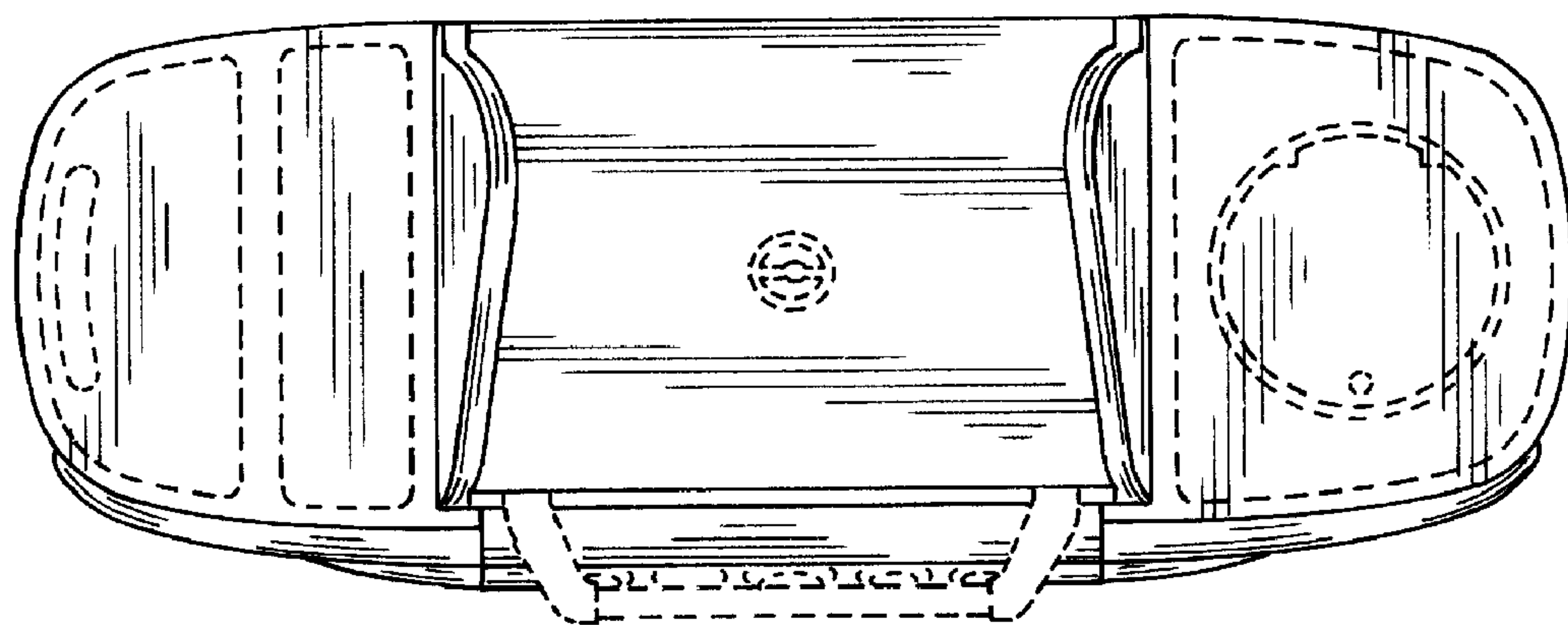


Fig. 2

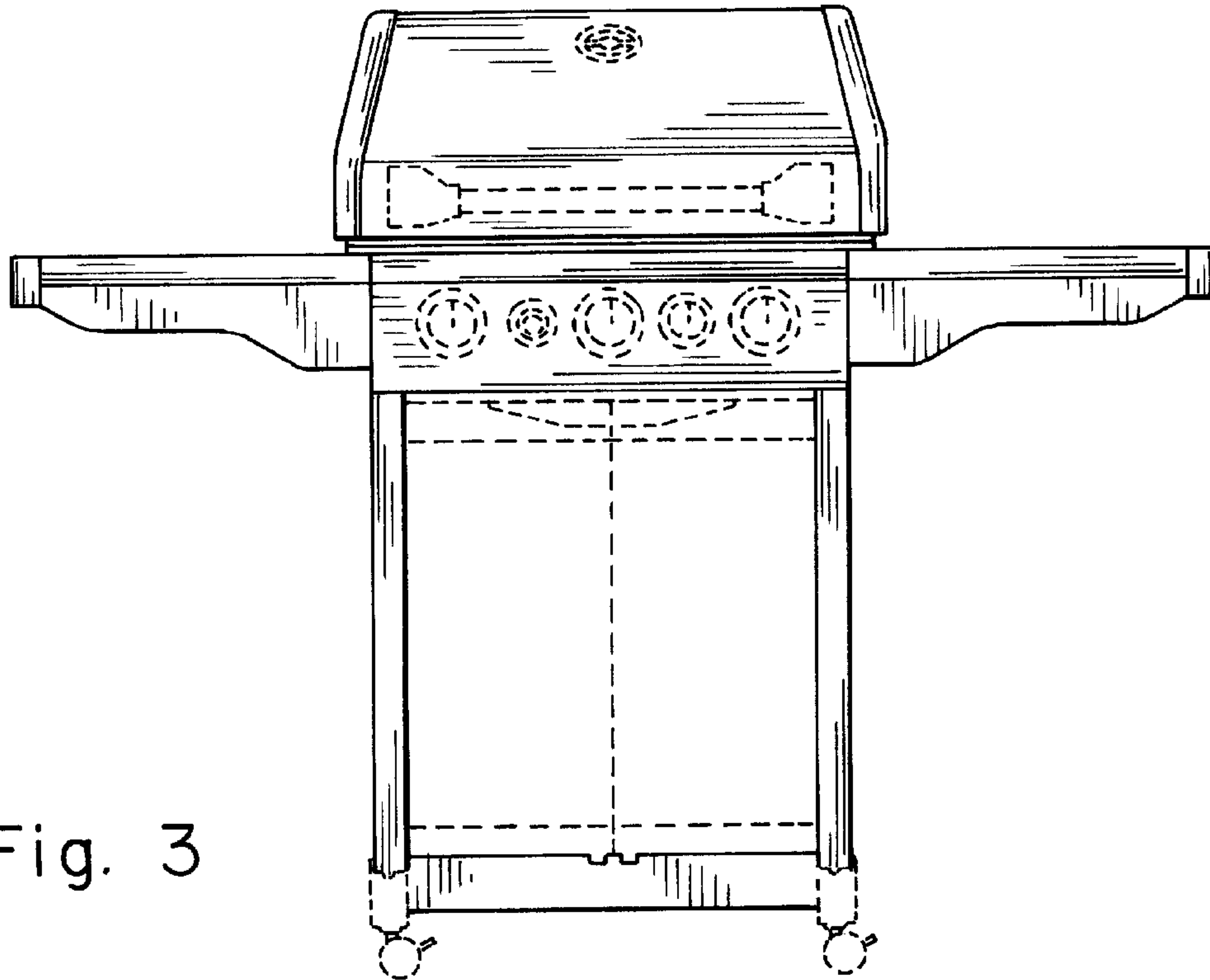


Fig. 3

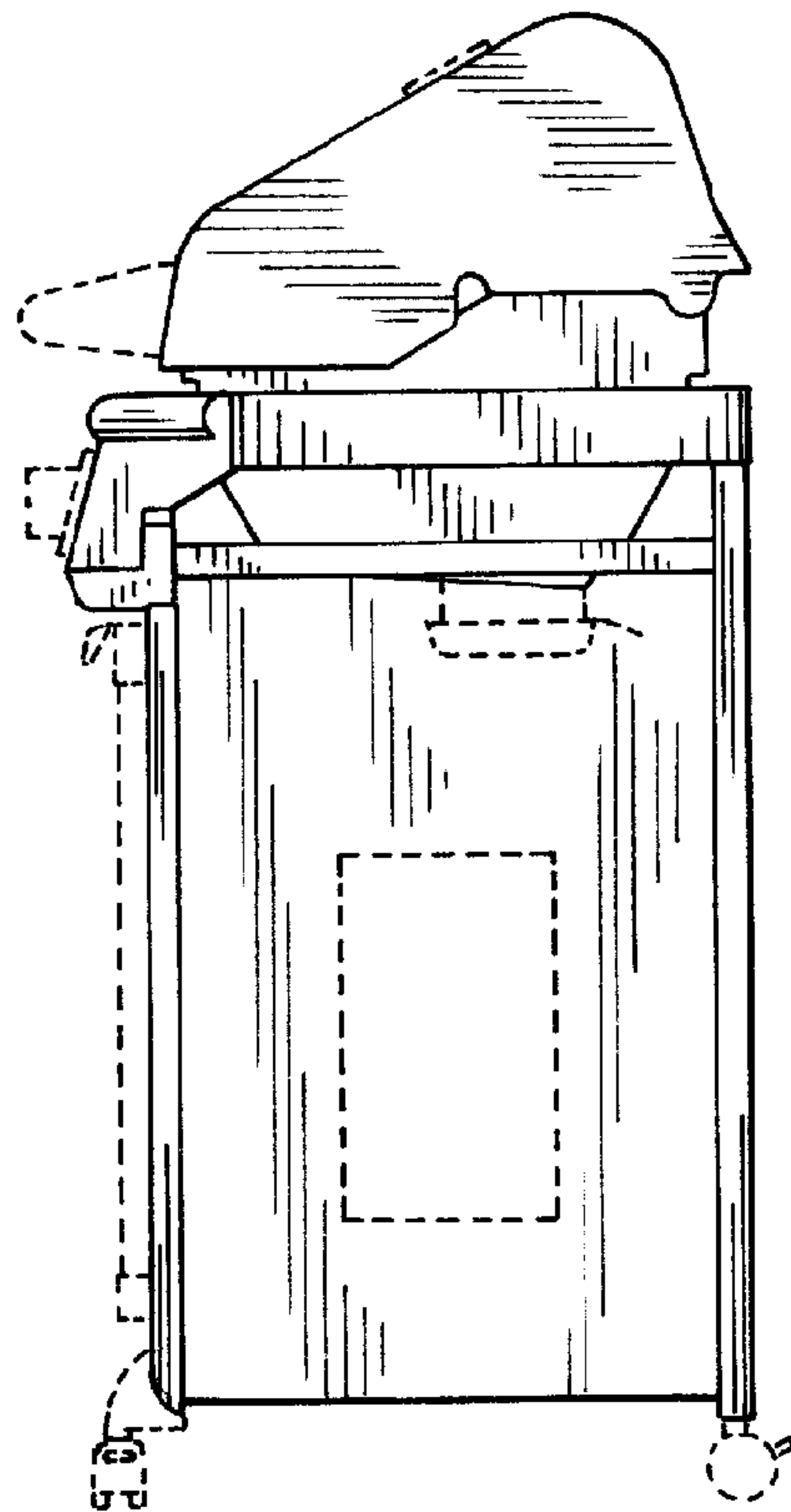


Fig. 4