



US00D581731S

(12) **United States Design Patent**
Epstein

(10) **Patent No.:** **US D581,731 S**
(45) **Date of Patent:** **** Dec. 2, 2008**

(54) **ROUND-ENDED PARING KNIFE**
(75) Inventor: **Dennis L. Epstein**, Ridgefield, WA (US)
(73) Assignee: **Kai U.S.A., Ltd.**, Tualatin, OR (US)
(**) Term: **14 Years**
(21) Appl. No.: **29/303,532**
(22) Filed: **Feb. 11, 2008**

(51) **LOC (8) Cl.** **07-03**
(52) **U.S. Cl.** **D7/401.2**
(58) **Field of Classification Search** D7/393,
D7/395, 401.2, 642-646, 649-653, 662-664,
D7/688, 695-696; D8/300, 303; 30/123.5-123.7,
30/124-125, 128, 142-143, 147-149, 304,
30/316, 342-346, 353, 355, 394
See application file for complete search history.

(56) **References Cited**

U.S. PATENT DOCUMENTS

5,572,794 A	11/1996	Kalbern	
D403,559 S	1/1999	Terenzio	
D418,026 S *	12/1999	Joergensen D7/649
6,044,566 A	4/2000	Ries et al.	
D434,616 S *	12/2000	Joergensen D7/650
D466,764 S	12/2002	Haythornthwaite et al.	
D498,985 S	11/2004	Kerr et al.	
D500,233 S	12/2004	Overthun	
D545,637 S	7/2007	Curtin	

D554,438 S 11/2007 Ono
D559,047 S * 1/2008 Onion D7/649
D572,542 S * 7/2008 Epstein D7/649

* cited by examiner

Primary Examiner—Caron D. Veynar
Assistant Examiner—Ricky Pham
(74) *Attorney, Agent, or Firm*—Seed IP Law Group PLLC

(57) **CLAIM**

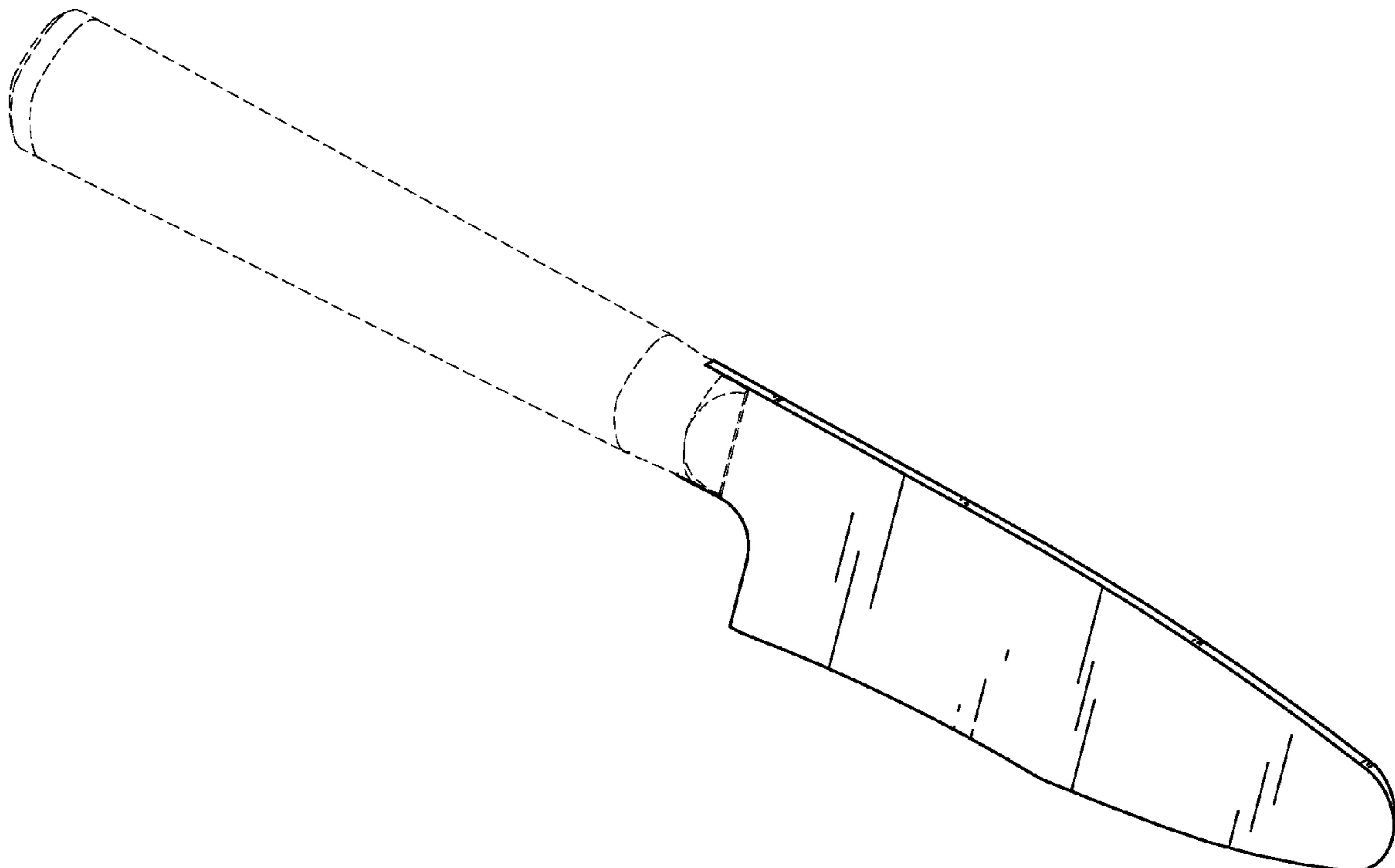
The ornamental design for a round-ended paring knife, as shown and described.

DESCRIPTION

FIG. 1 is a front-side perspective view of a round-ended paring knife showing my new design.
FIG. 2 is a rear elevational view thereof.
FIG. 3 is a right side elevational view thereof.
FIG. 4 is a front elevational view thereof.
FIG. 5 is a left side elevational view thereof.
FIG. 6 is a bottom plan view thereof; and,
FIG. 7 is a top plan view thereof.

Stippling and shading lines shown in the drawings are intended to represent the approximate three-dimensional contour of the design, and are not intended to indicate surface decoration. Features depicted in broken lines form no part of the claimed design.

1 Claim, 4 Drawing Sheets



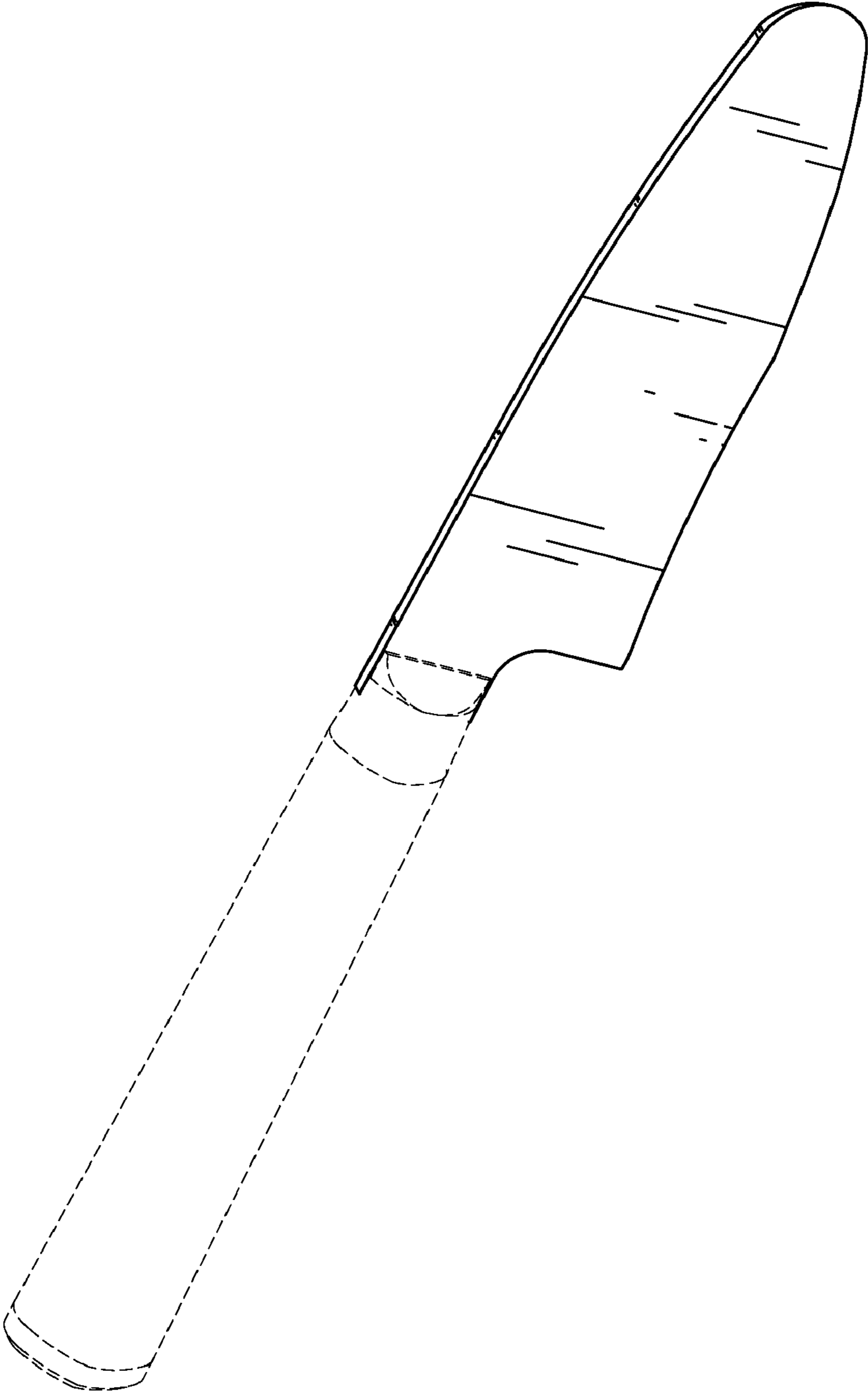


FIG. 1

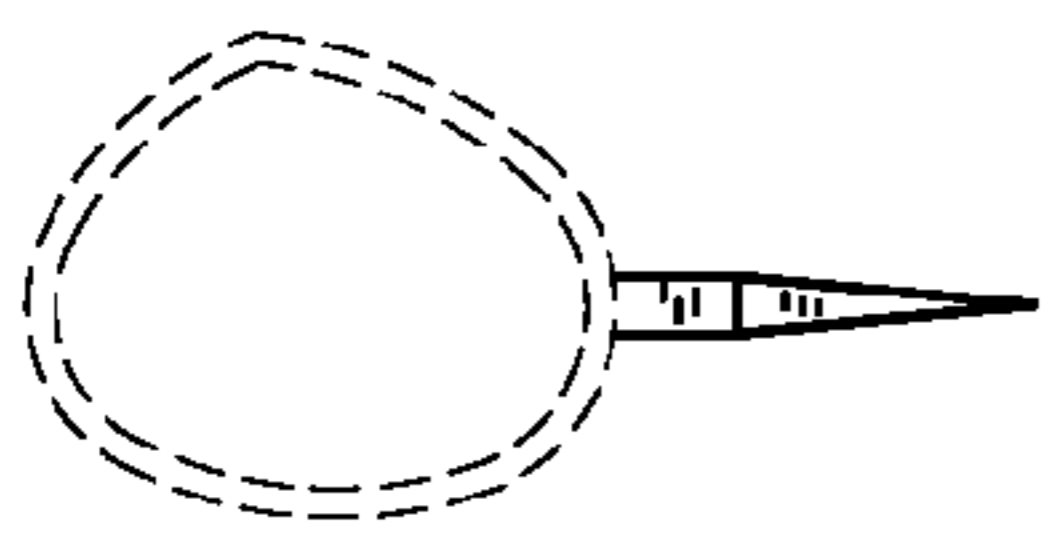


FIG. 2

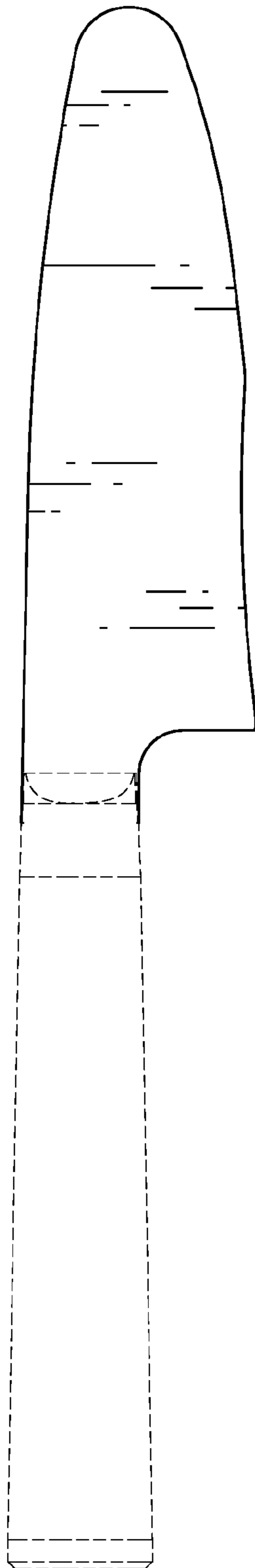


FIG. 3

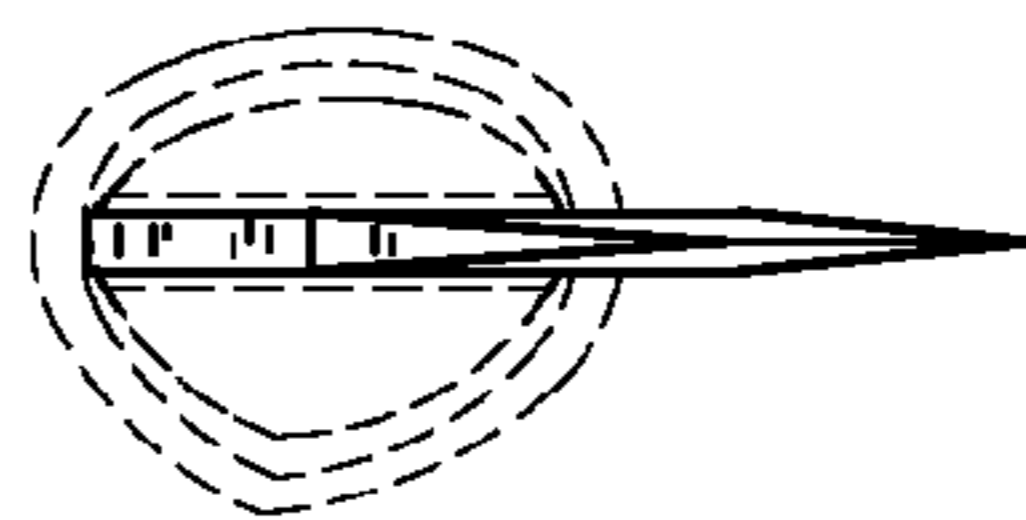


FIG. 4

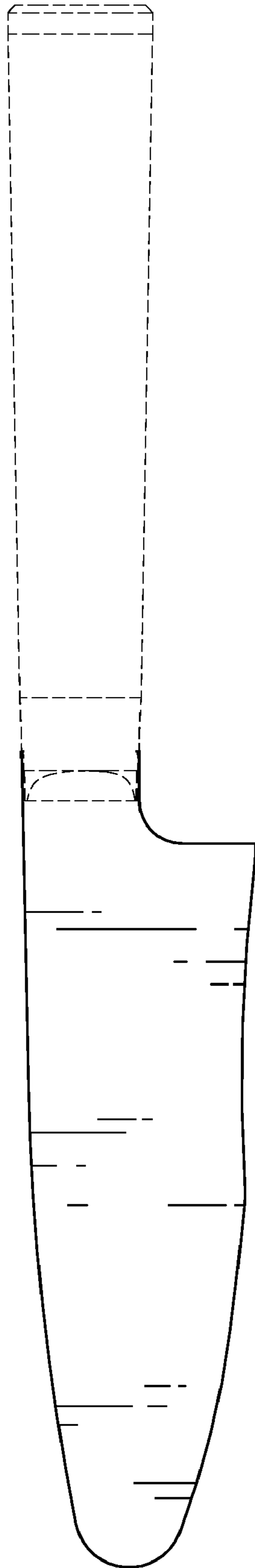


FIG. 5

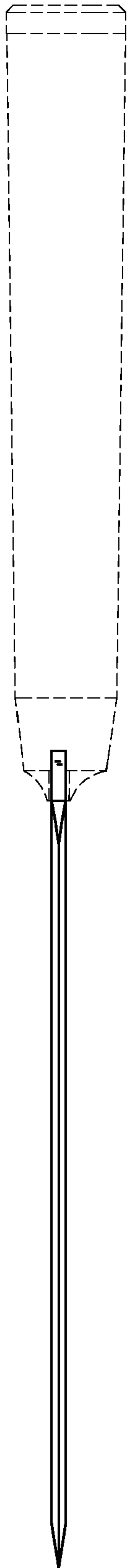


FIG. 6

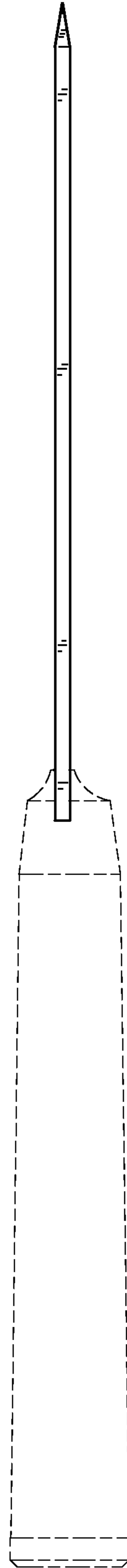


FIG. 7