



US00D581729S

(12) **United States Design Patent**
Rico

(10) **Patent No.:** **US D581,729 S**
(45) **Date of Patent:** **** Dec. 2, 2008**

(54) **COOKWARE HANDLE**

(75) Inventor: **Valeria Rico**, Beverly Hills, CA (US)

(73) Assignee: **Lexicon Marketing Operating**
Luxembourg S.A.R.L., Luxembourg
(LU)

(**) Term: **14 Years**

(21) Appl. No.: **29/307,827**

(22) Filed: **May 13, 2008**

(51) **LOC (8) Cl.** **07-02**

(52) **U.S. Cl.** **D7/395**

(58) **Field of Classification Search** D7/354-361,
D7/393-395; D8/107, 307, 300; D4/138,
D4/129; 16/430, 431, 110.1, 407; 220/573.1-573.5,
220/752, 753, 755, 756, 759, 771, 912
See application file for complete search history.

(56) **References Cited**

U.S. PATENT DOCUMENTS

D407,600 S	*	4/1999	LoGiudice	D7/395
D416,437 S	*	11/1999	Cheng	D7/391
D426,107 S	*	6/2000	Cheng	D7/393
D439,108 S	*	3/2001	LoGiudice	D7/395
D444,347 S	*	7/2001	LoGiudice	D7/395
D450,217 S	*	11/2001	Rae	D7/393
D468,583 S	*	1/2003	Kerulis	D7/395

D482,567 S	*	11/2003	Demers	D7/395
D494,412 S	*	8/2004	Prakasa	D7/395
D497,513 S		10/2004	Rae		
D503,585 S	*	4/2005	Tetreault et al.	D7/395
D518,352 S	*	4/2006	Brasset	D8/300
D557,065 S	*	12/2007	Levy et al.	D7/393

* cited by examiner

Primary Examiner—Holly H Baynham

Assistant Examiner—Cynthia M Chin

(74) *Attorney, Agent, or Firm*—Sheppard, Mullin, Richter & Hampton LLP

(57) **CLAIM**

I claim the ornamental design for a cookware handle, as shown and described.

DESCRIPTION

FIG. 1 is a perspective view of the cookware handle showing the new design;

FIG. 2 is a front elevational view thereof;

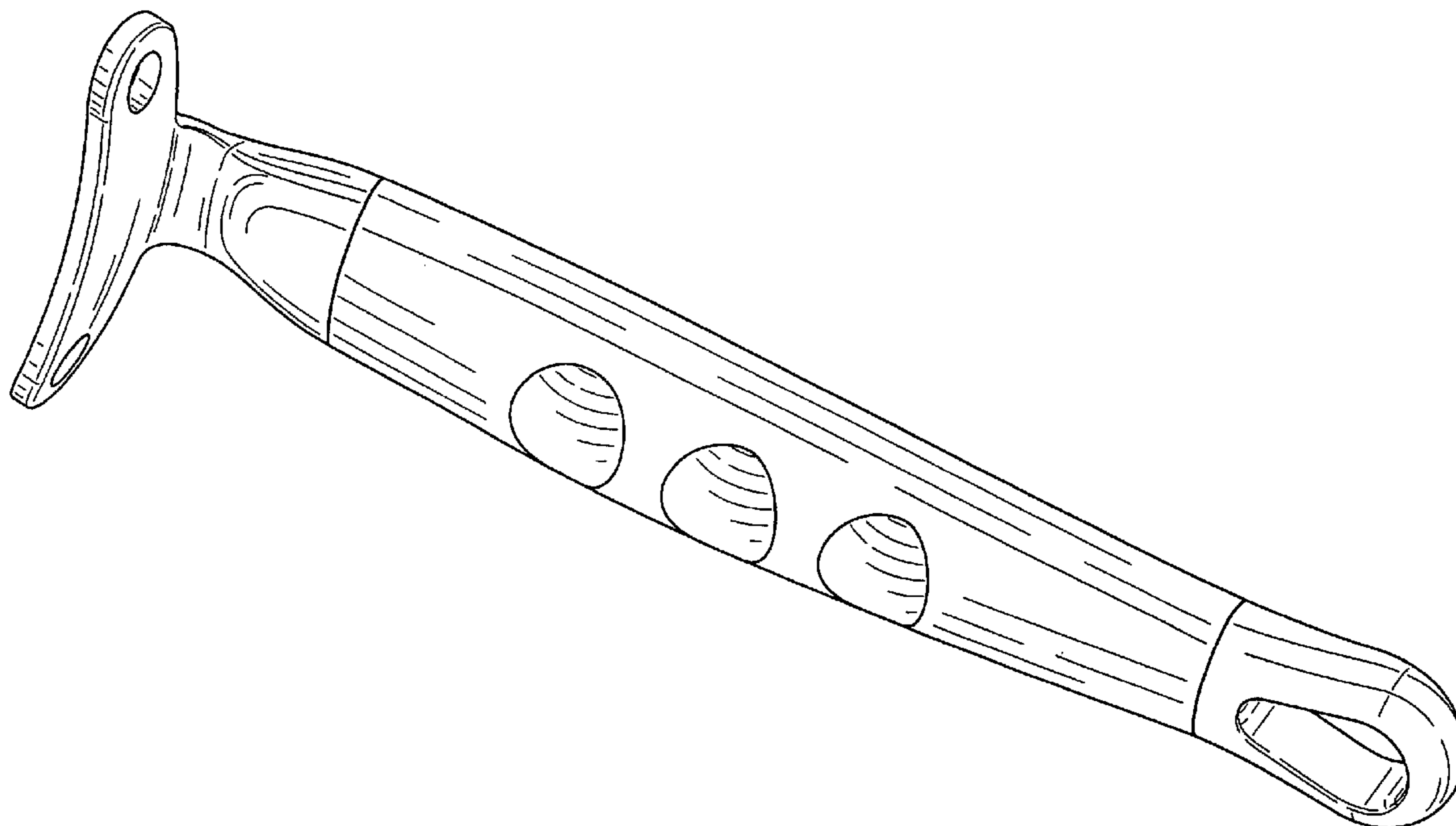
FIG. 3 is a rear elevational view thereof;

FIG. 4 is a right side elevational view thereof, the left side elevational view being a mirror image thereof;

FIG. 5 is a top plan view thereof; and,

FIG. 6 is a bottom plan view thereof.

1 Claim, 3 Drawing Sheets



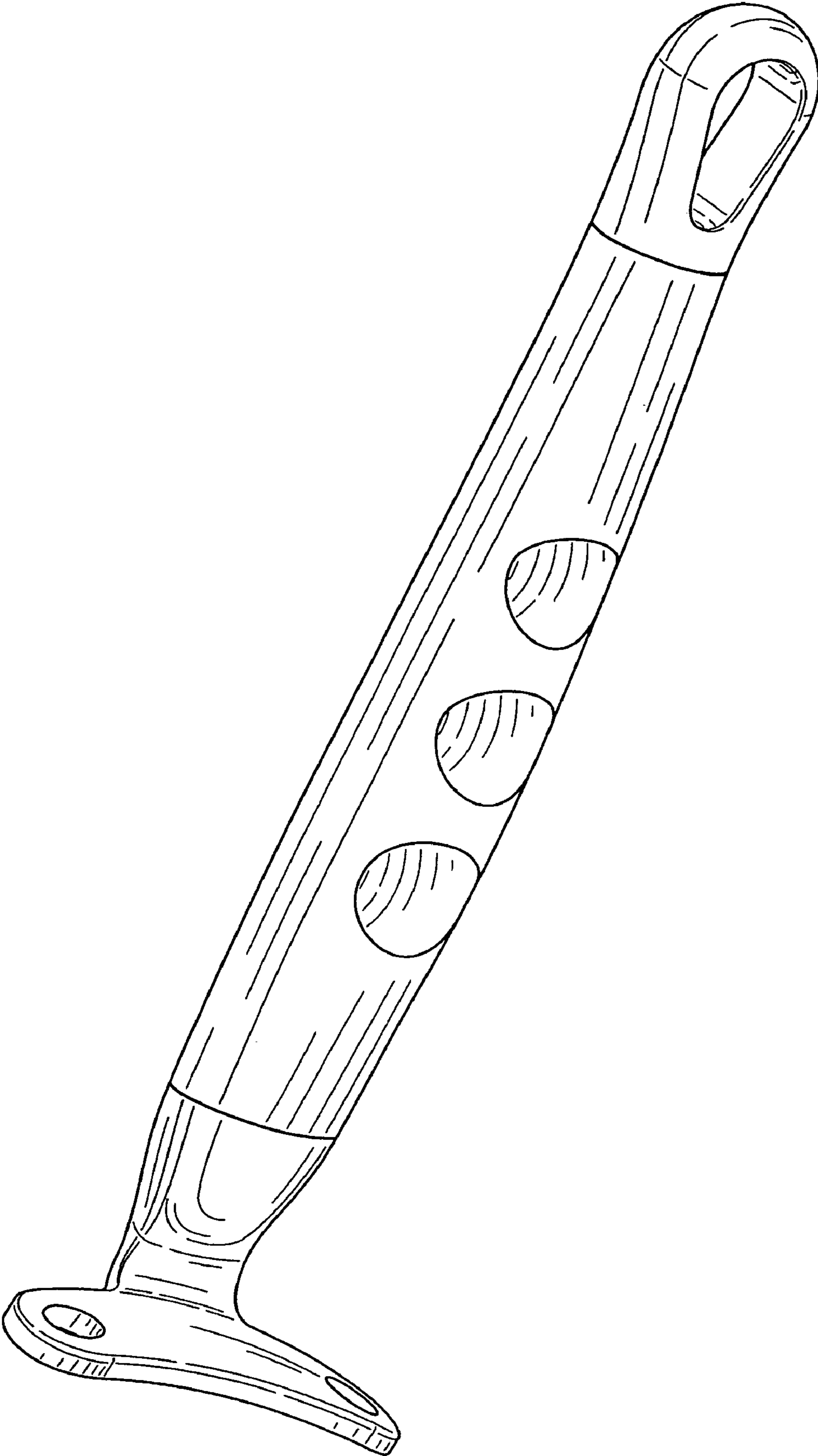


FIG. 1

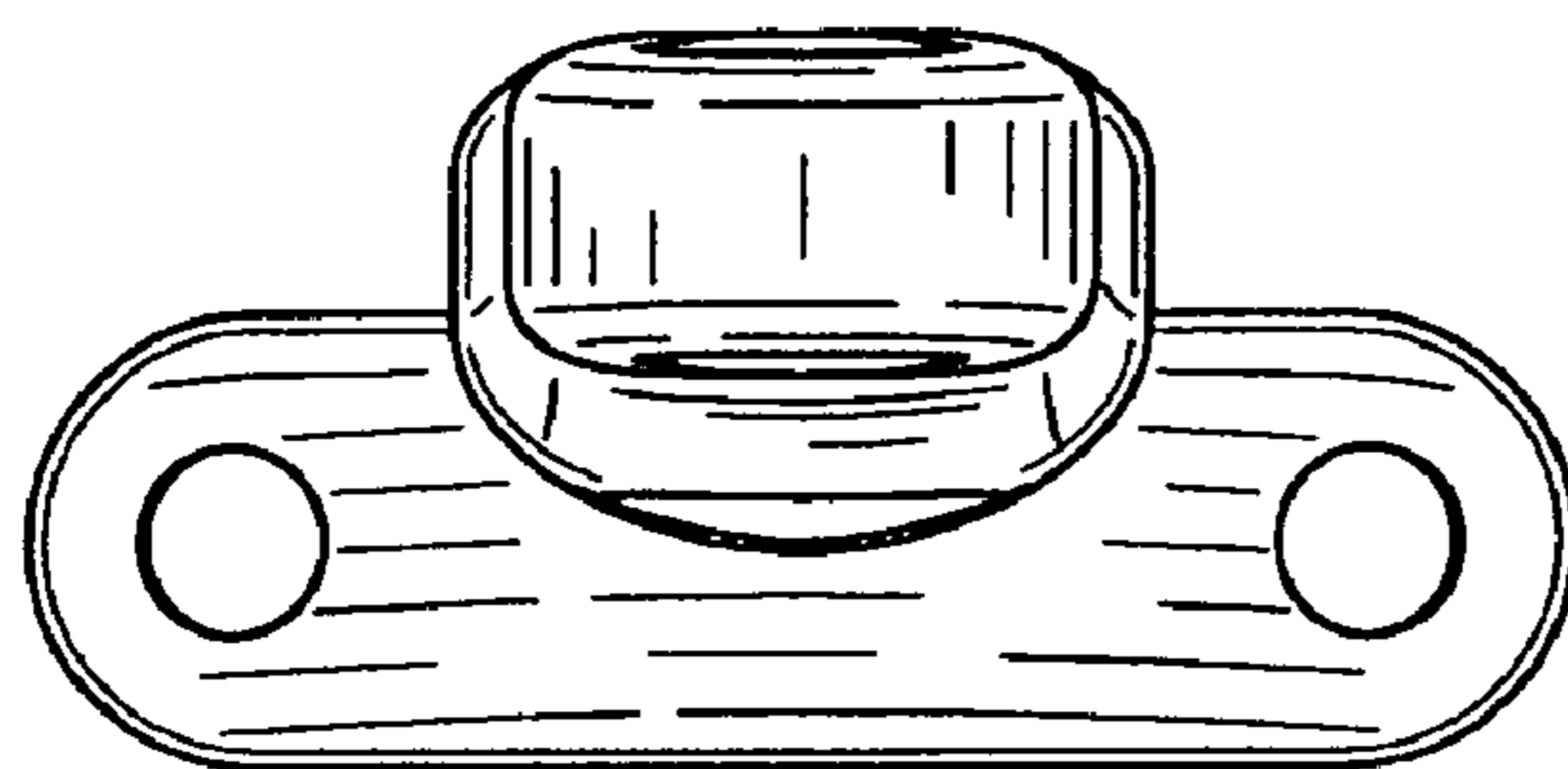


FIG. 2

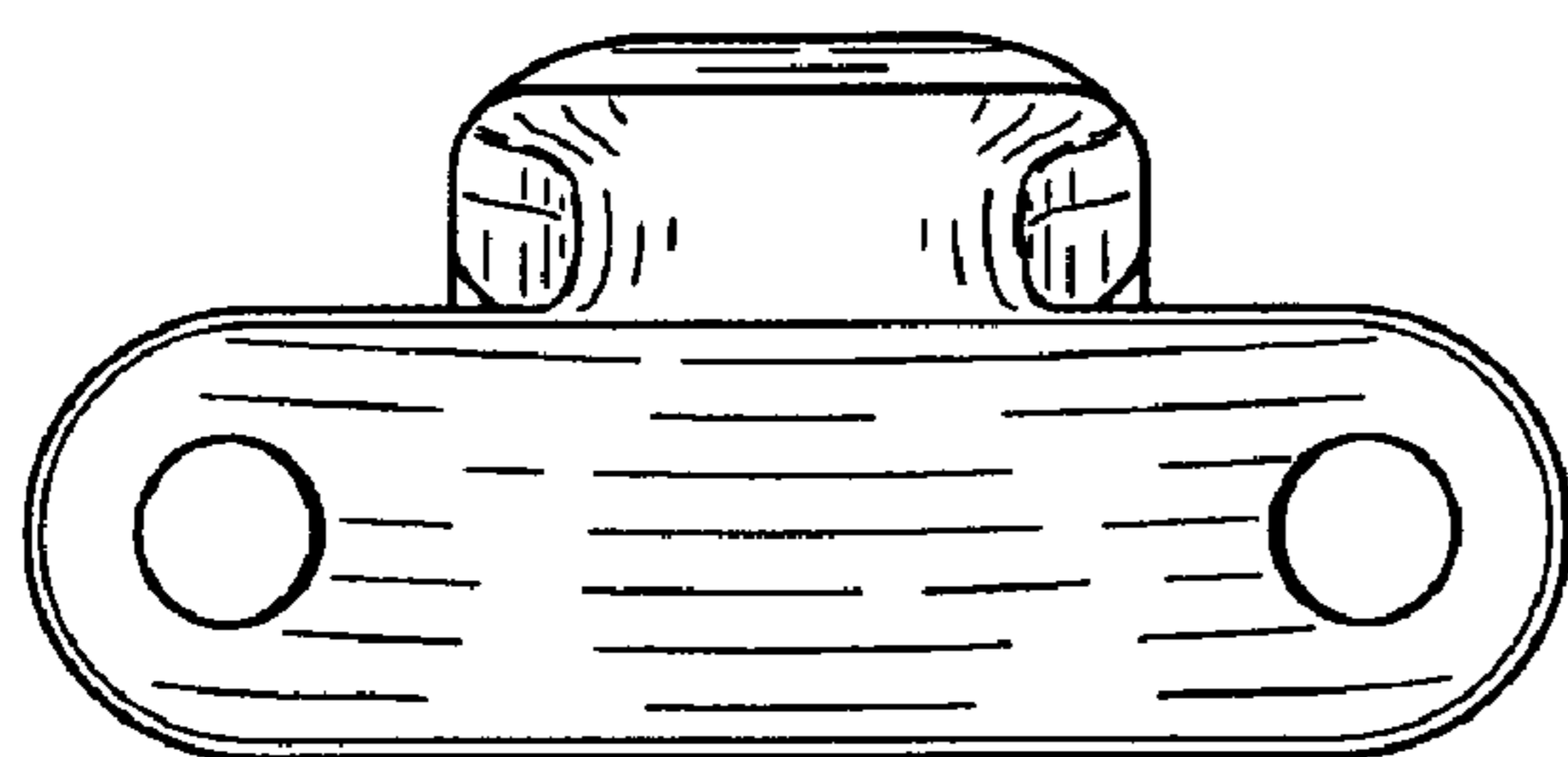


FIG. 3

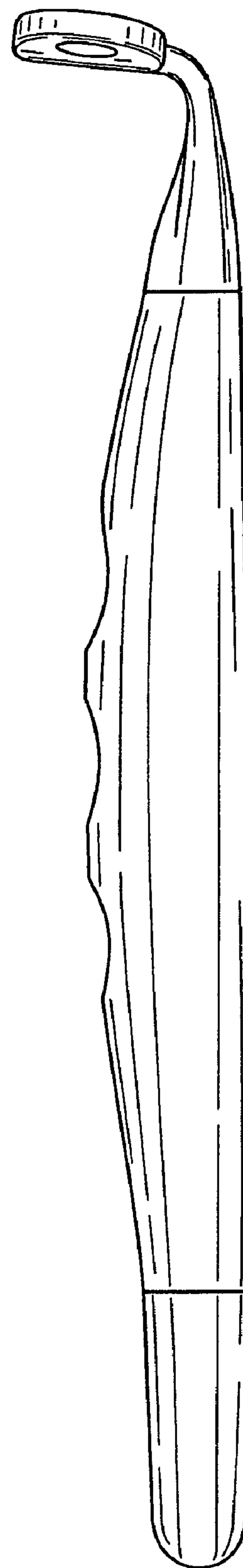


FIG. 4

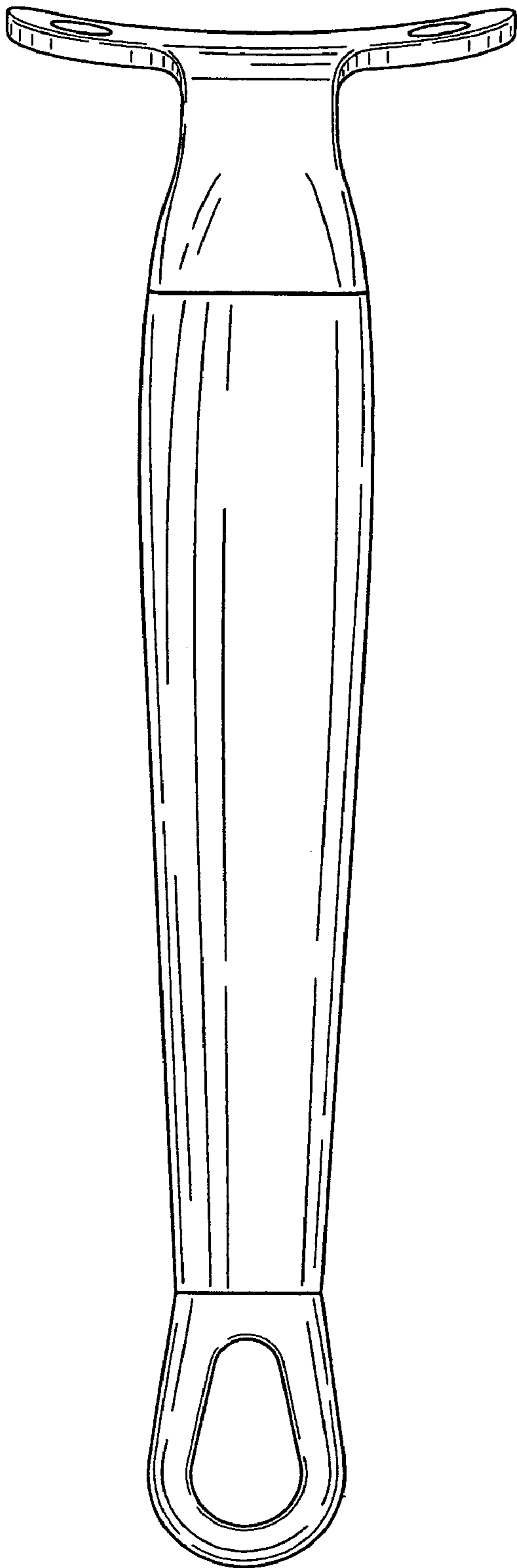


FIG. 5

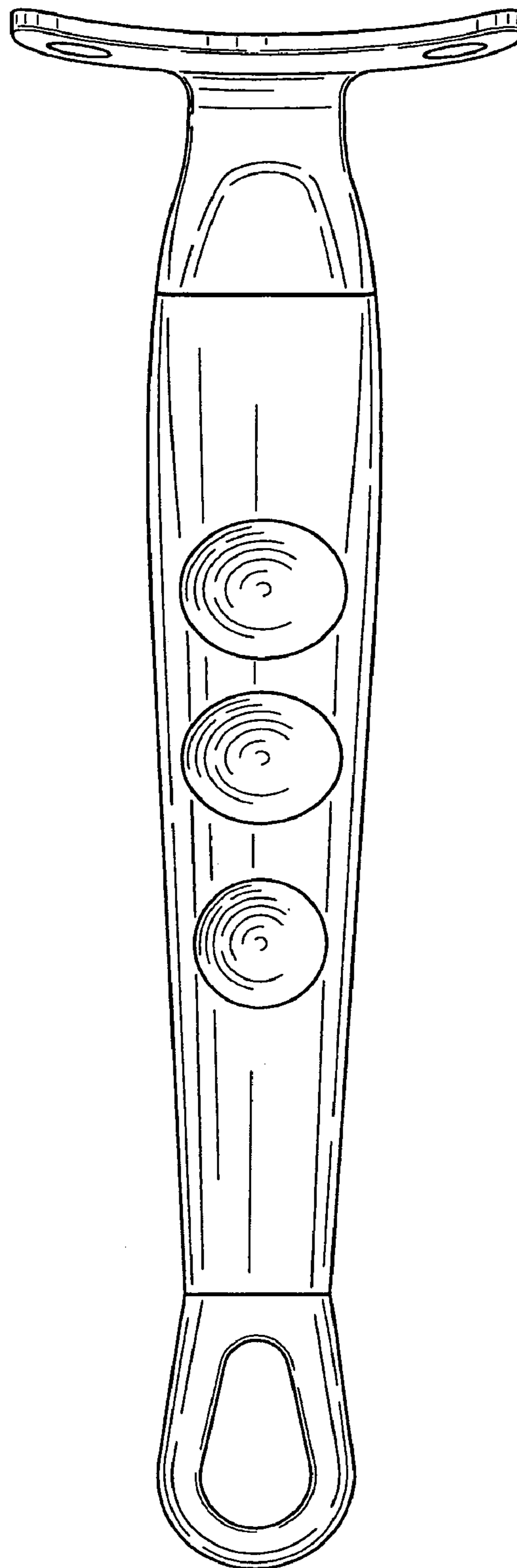


FIG. 6