

US00D581728S

(12) **United States Design Patent**
Logiudice et al.

(10) **Patent No.:** **US D581,728 S**
(45) **Date of Patent:** **** Dec. 2, 2008**

(54) **DUAL-GRIP GADGET HANDLE**

D566,514 S * 4/2008 Settles D8/107

(75) Inventors: **Paul Angelo Logiudice**, Toledo, OH (US); **Jay Perkins**, Pickerington, OH (US); **Jennifer Nicoloro**, Dracut, MA (US)

* cited by examiner

Primary Examiner—Holly H. Baynham
Assistant Examiner—Cynthia M Chin
(74) *Attorney, Agent, or Firm*—Foley & Lardner LLP

(73) Assignee: **Calphalon Corporation**, Freeport, IL (US)

(57) **CLAIM**

(**) Term: **14 Years**

We claim the ornamental design for a dual-grip gadget handle, as shown and described.

(21) Appl. No.: **29/290,665**

DESCRIPTION

(22) Filed: **Dec. 31, 2007**

FIG. 1 is a top frontal perspective view of a dual-grip gadget handle according to our new design;

(51) **LOC (8) Cl.** **07-02**

FIG. 2 is a front view of the dual-grip gadget handle shown in FIG. 1;

(52) **U.S. Cl.** **D7/395**

(58) **Field of Classification Search** D7/393, D7/395, 401.2, 682, 692, 642–648, 649–652, D7/664, 688, 691, 693, 696, 381; D8/83, D8/101, 107, 307; D22/118; 30/340–344, 30/147–149; 16/430, 431, 110.1; D4/129, D4/138

FIG. 3 is a back view of the dual-grip gadget handle shown in FIG. 1;

FIG. 4 is a left side view of the dual-grip gadget handle shown in FIG. 1;

See application file for complete search history.

FIG. 5 is a right side view of the dual-grip gadget handle shown in FIG. 1;

(56) **References Cited**

U.S. PATENT DOCUMENTS

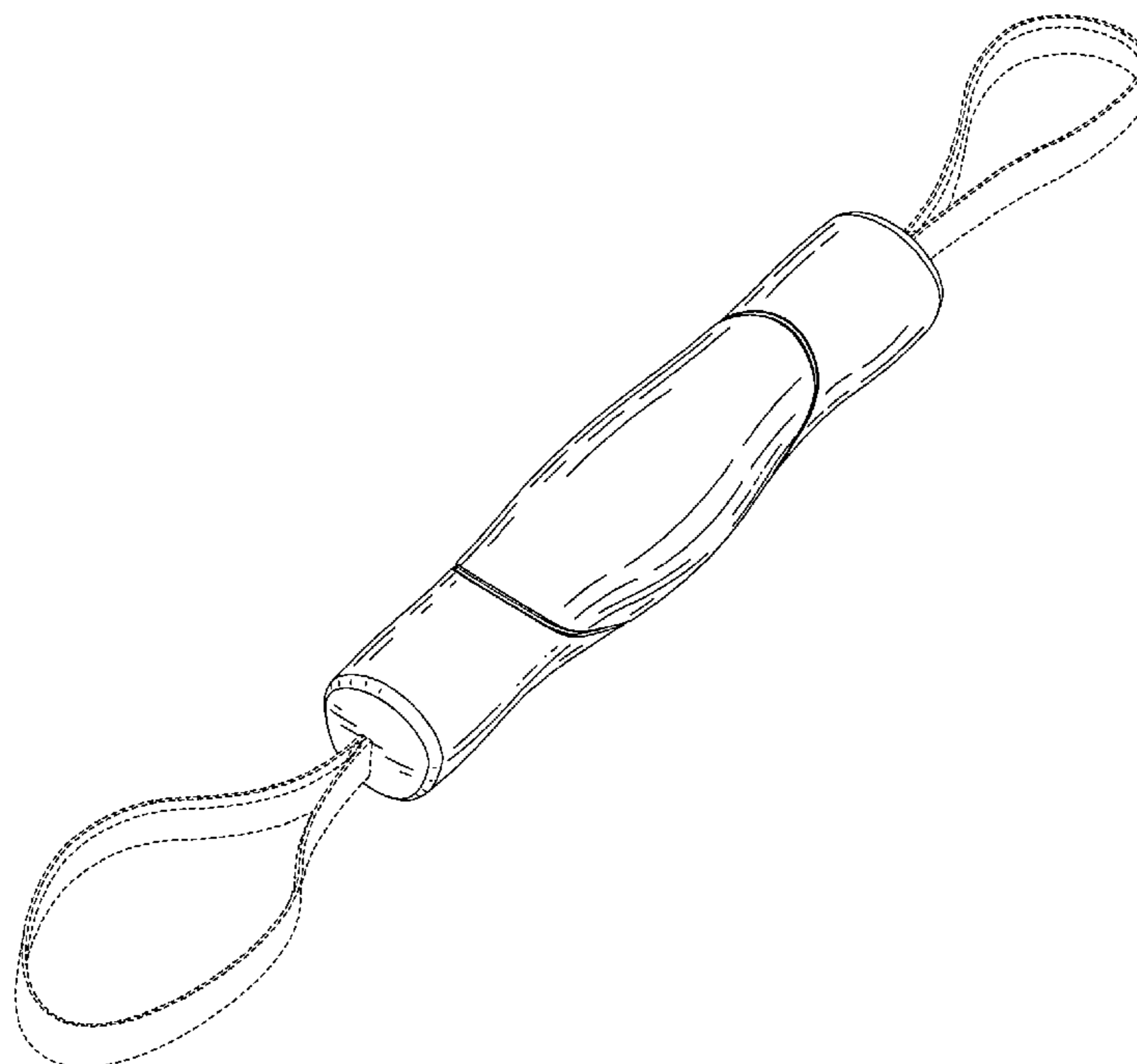
D197,023 S *	12/1963	Munson	D7/395
D271,841 S *	12/1983	Hansen	D7/395
D442,824 S *	5/2001	Kaposi	D7/393
D453,450 S *	2/2002	Drummond	D7/693
D459,149 S *	6/2002	Richied et al.	D7/395
D476,525 S *	7/2003	Zemel	D7/395
D480,913 S *	10/2003	Hughes	D7/395
D504,797 S *	5/2005	Lu	D7/395

FIG. 6 is a top view of the dual-grip gadget handle shown in FIG. 1; and,

FIG. 7 is a bottom view of the dual-grip gadget handle shown in FIG. 1.

The ornamental design which is claimed is shown in solid lines in the drawings. The broken lines in the drawings are for illustrative purposes only and form no part of the claimed design.

1 Claim, 3 Drawing Sheets



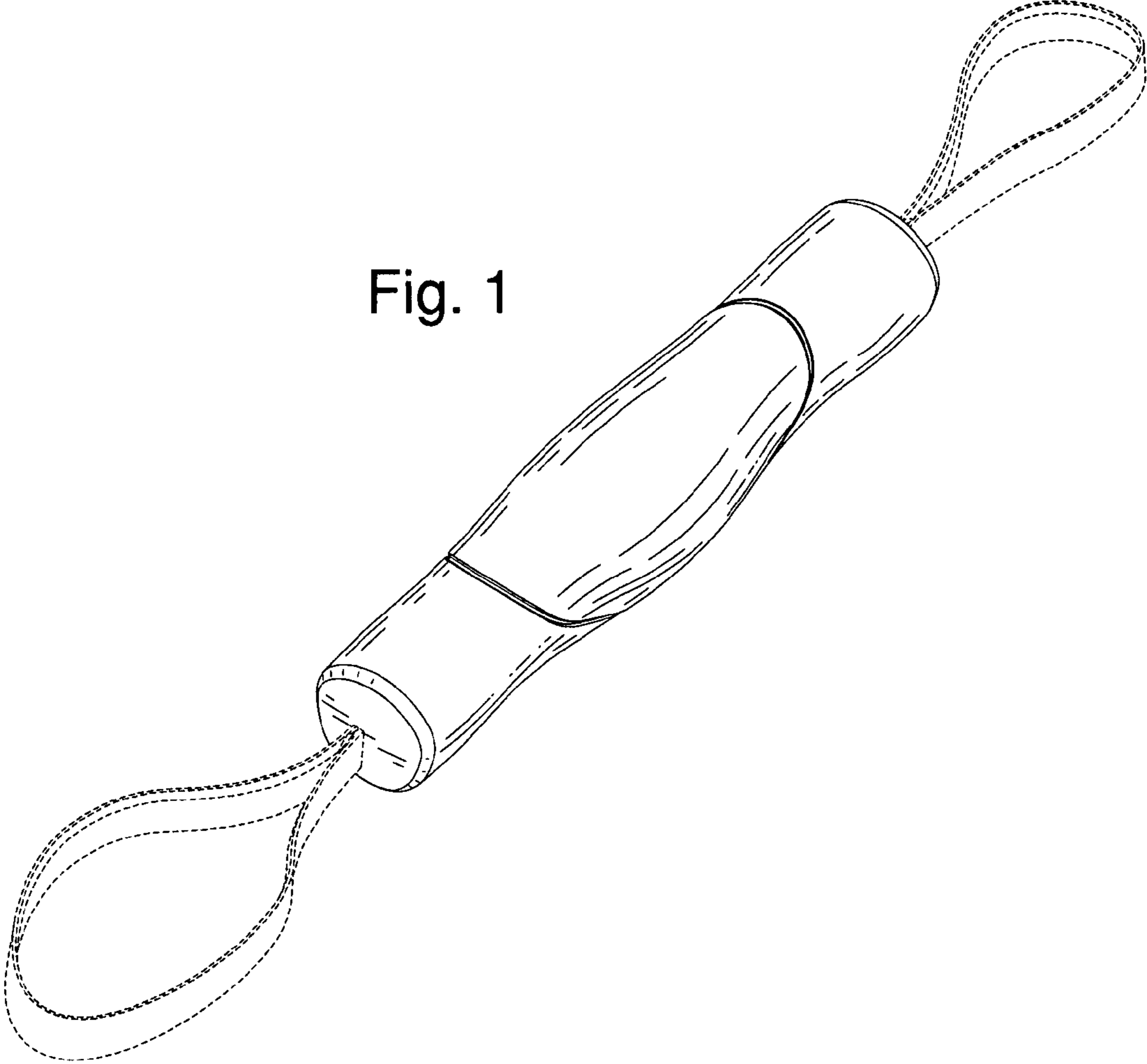


Fig. 1

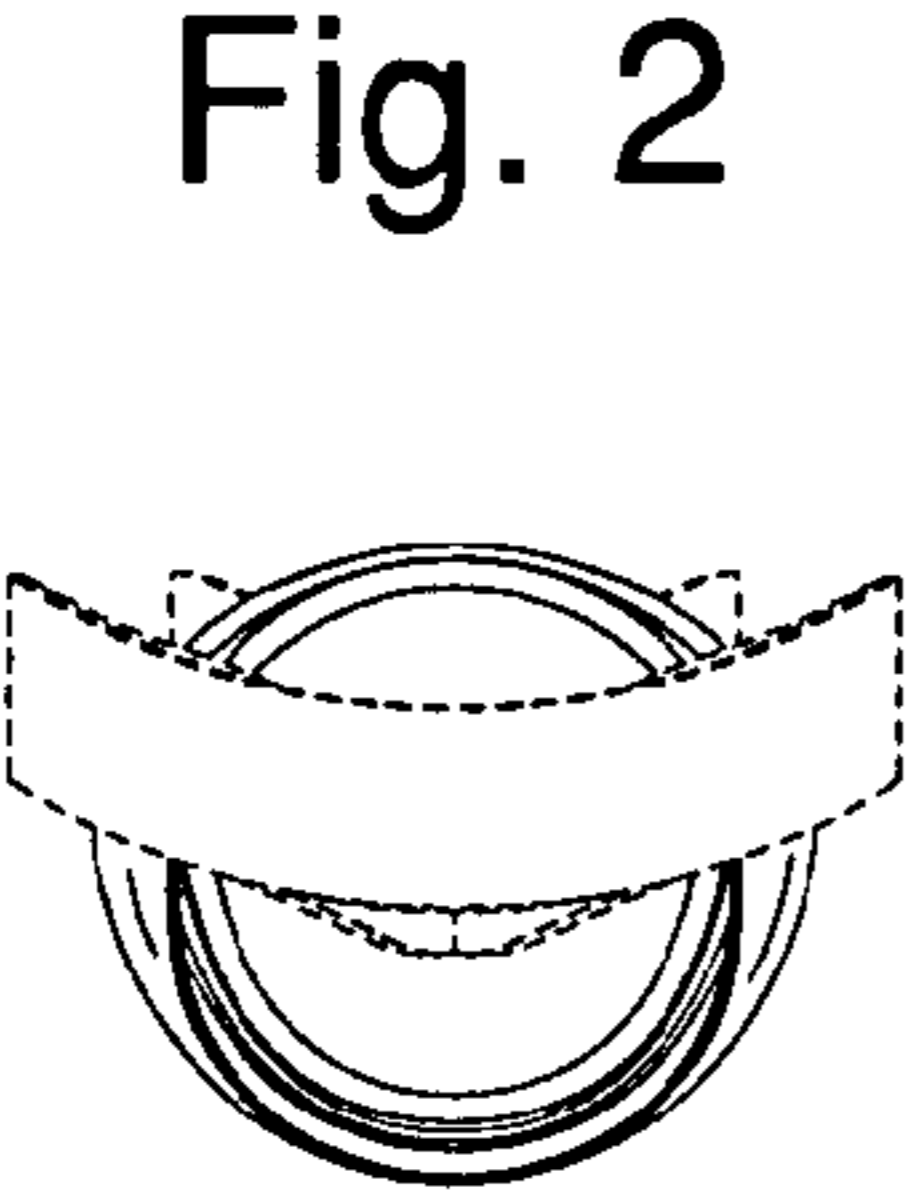


Fig. 2

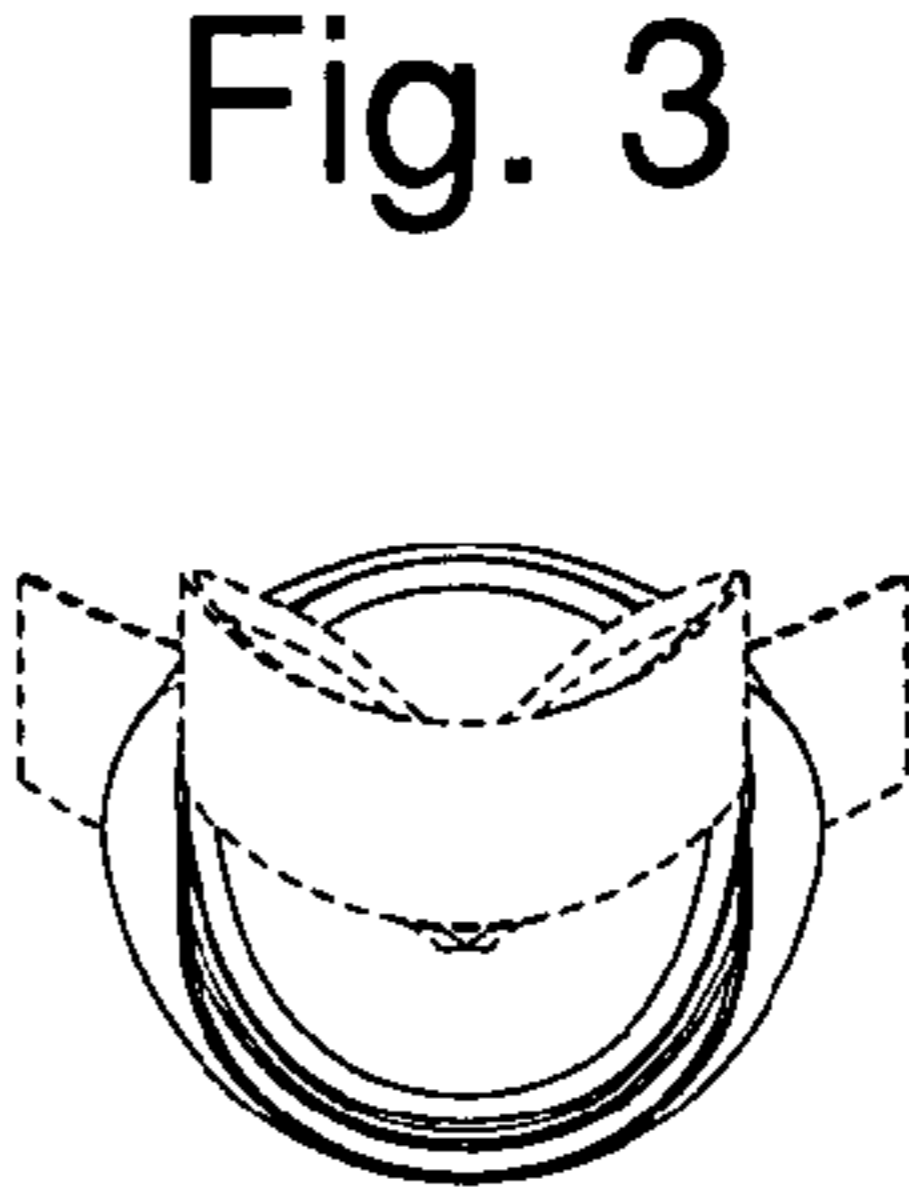


Fig. 3

Fig. 4

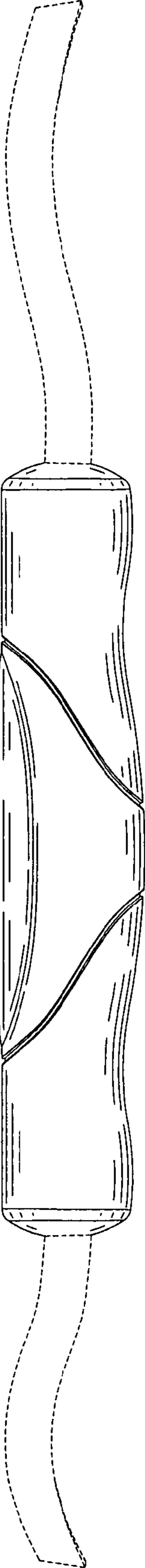


Fig. 5

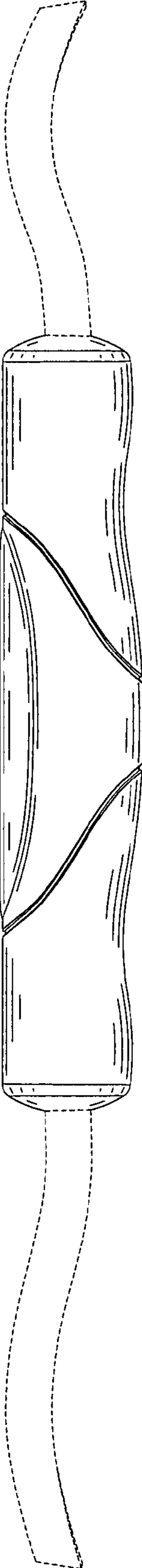


Fig. 6

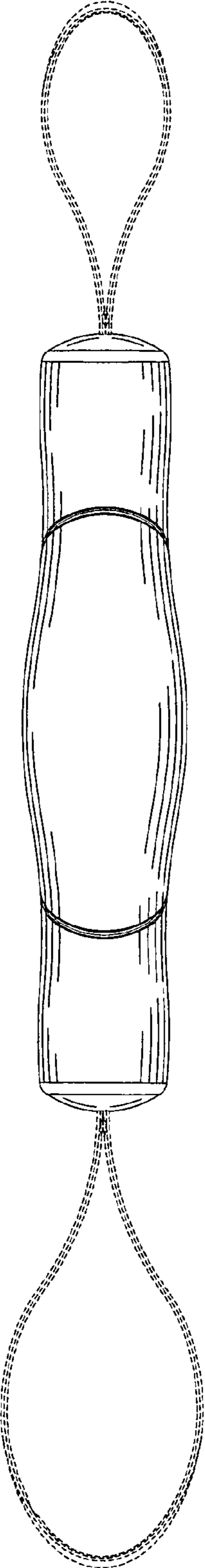


Fig. 7

