



US00D581721S

(12) **United States Design Patent**  
**Rae**

(10) **Patent No.:** **US D581,721 S**  
(45) **Date of Patent:** **\*\* Dec. 2, 2008**

(54) **COVERED SAUCE PAN**  
(75) Inventor: **Robert A Rae**, Las Vegas, NV (US)  
(73) Assignee: **Meyer Intellectual Properties Limited (BV)**, Kowloon (HK)  
(\*\*) Term: **14 Years**  
(21) Appl. No.: **29/323,006**  
(22) Filed: **Aug. 15, 2008**

D497,513 S \* 10/2004 Rae ..... D7/394  
6,848,592 B2 \* 2/2005 Logiudice ..... 220/377  
D505,046 S \* 5/2005 Rae ..... D7/395  
D514,379 S \* 2/2006 Kerr et al. .... D7/395  
D534,031 S \* 12/2006 Roussard ..... D7/358  
D555,421 S \* 11/2007 Thurlow et al. .... D7/393  
D559,032 S \* 1/2008 Kellermann et al. .... D7/354  
D575,982 S \* 9/2008 Rae ..... D7/393

\* cited by examiner

*Primary Examiner*—Caron Veynar  
*Assistant Examiner*—Ricky Pham  
(74) *Attorney, Agent, or Firm*—Edward S. Sherman

(51) **LOC (8) Cl.** ..... **07-02**  
(52) **U.S. Cl.** ..... **D7/360**  
(58) **Field of Classification Search** ..... D7/323,  
D7/337, 352–361, 365, 378–379, 383–384,  
D7/391–396.1, 402, 542–543, 545, 560;  
99/140 R, 324, 339, 345, 403, 422, 425, 445;  
219/620–622, 725–730; 220/203.01, 377,  
220/573.1–574, 769, 912; 222/146.1, 572  
See application file for complete search history.

(57) **CLAIM**

The ornamental design for a covered sauce pan, as shown.

**DESCRIPTION**

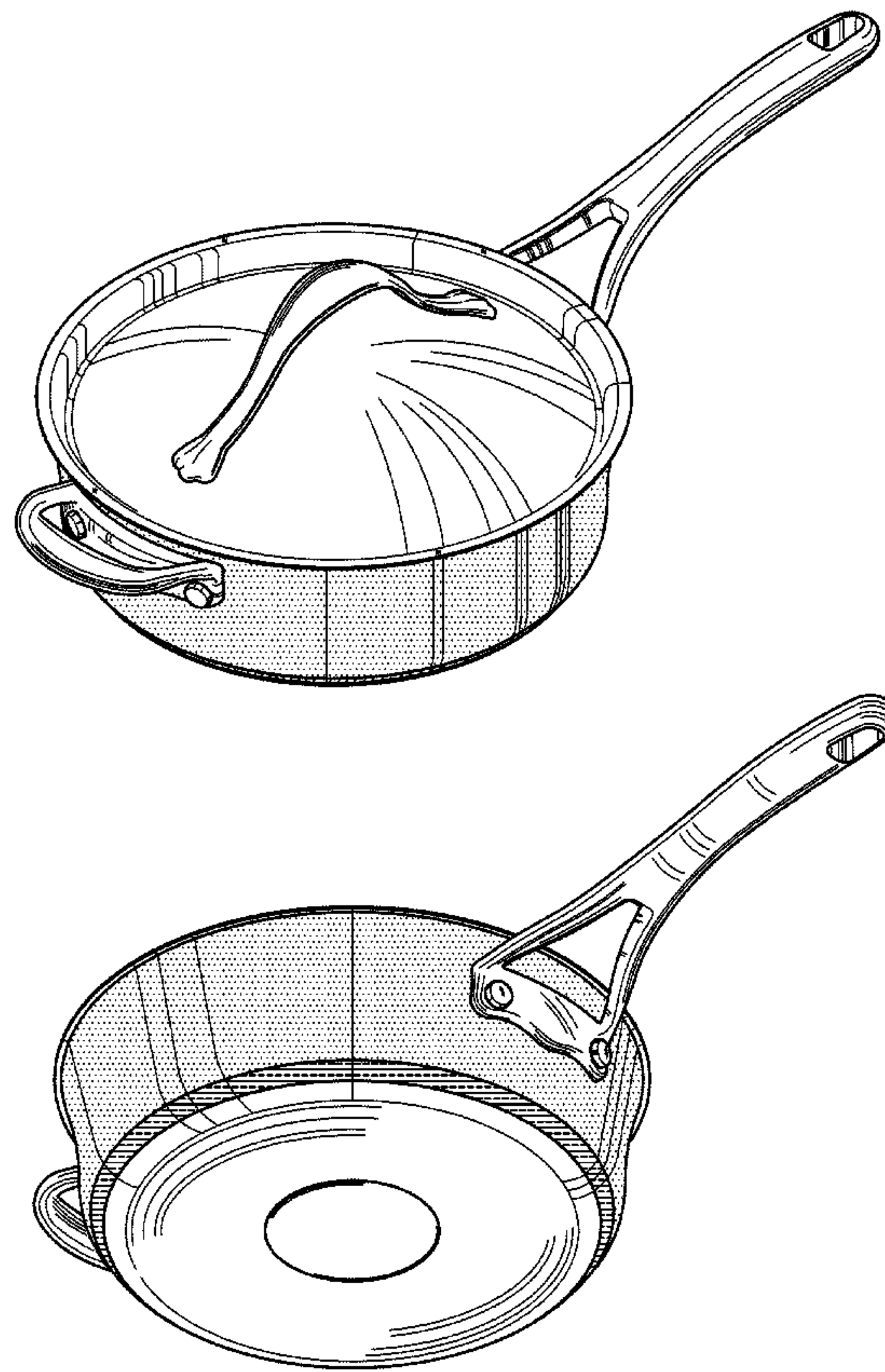
FIG. 1 is a perspective view from the above the front and side of the “covered sauce pan”, showing my new design;  
FIG. 2 is a top plan view thereof;  
FIG. 3 is a front elevation thereof;  
FIG. 4 is a side elevation view thereof;  
FIG. 5 is a bottom plan view thereof;  
FIG. 6 is a back elevation view thereof; and,  
FIG. 7 is a bottom perspective view thereof.

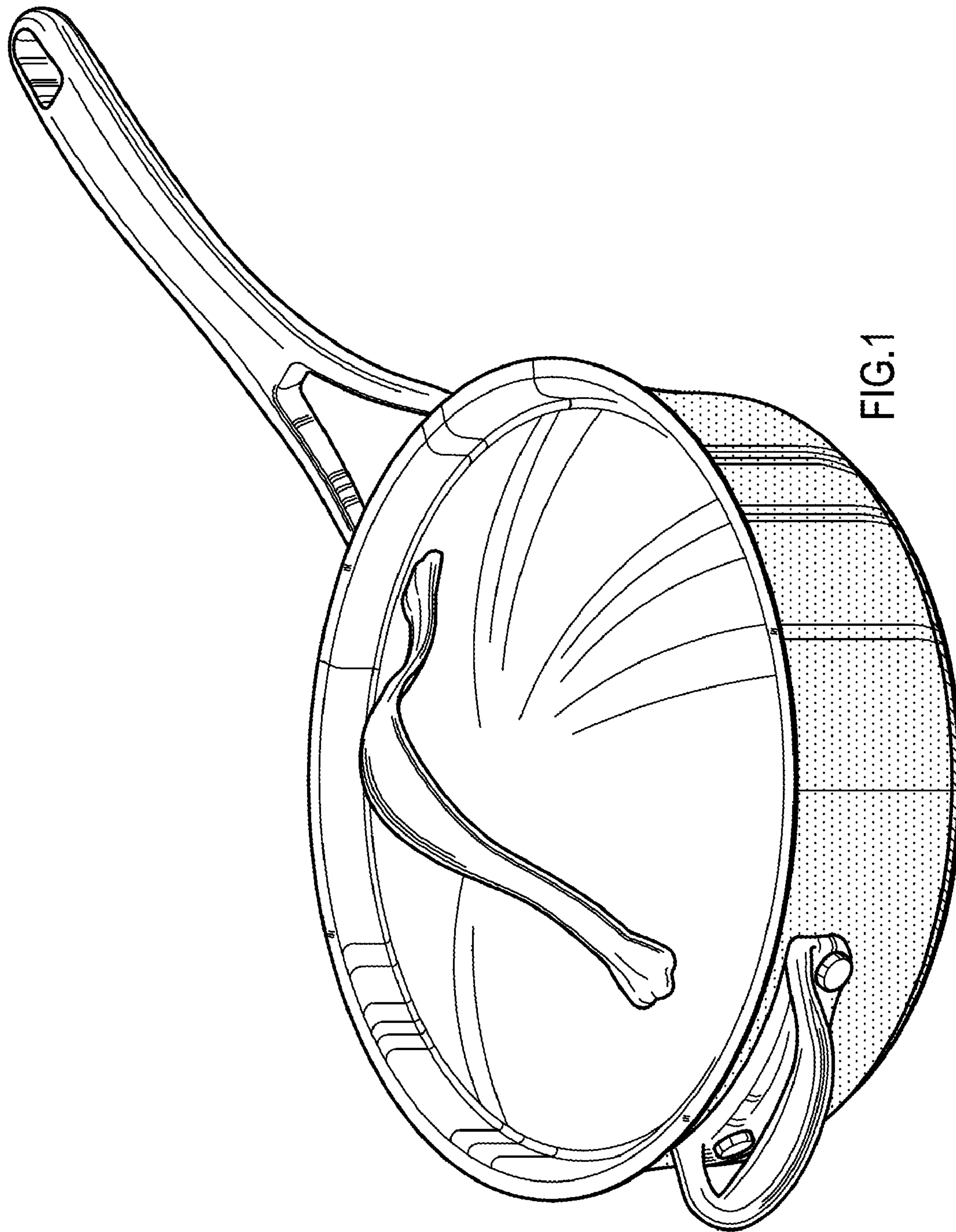
(56) **References Cited**

U.S. PATENT DOCUMENTS

D426,107 S \* 6/2000 Cheng ..... D7/393  
D450,217 S \* 11/2001 Rae ..... D7/393  
D477,967 S \* 8/2003 Burton et al. .... D7/395  
D480,262 S \* 10/2003 Smekh ..... D7/360  
D482,233 S \* 11/2003 Rae ..... D7/393

**1 Claim, 5 Drawing Sheets**





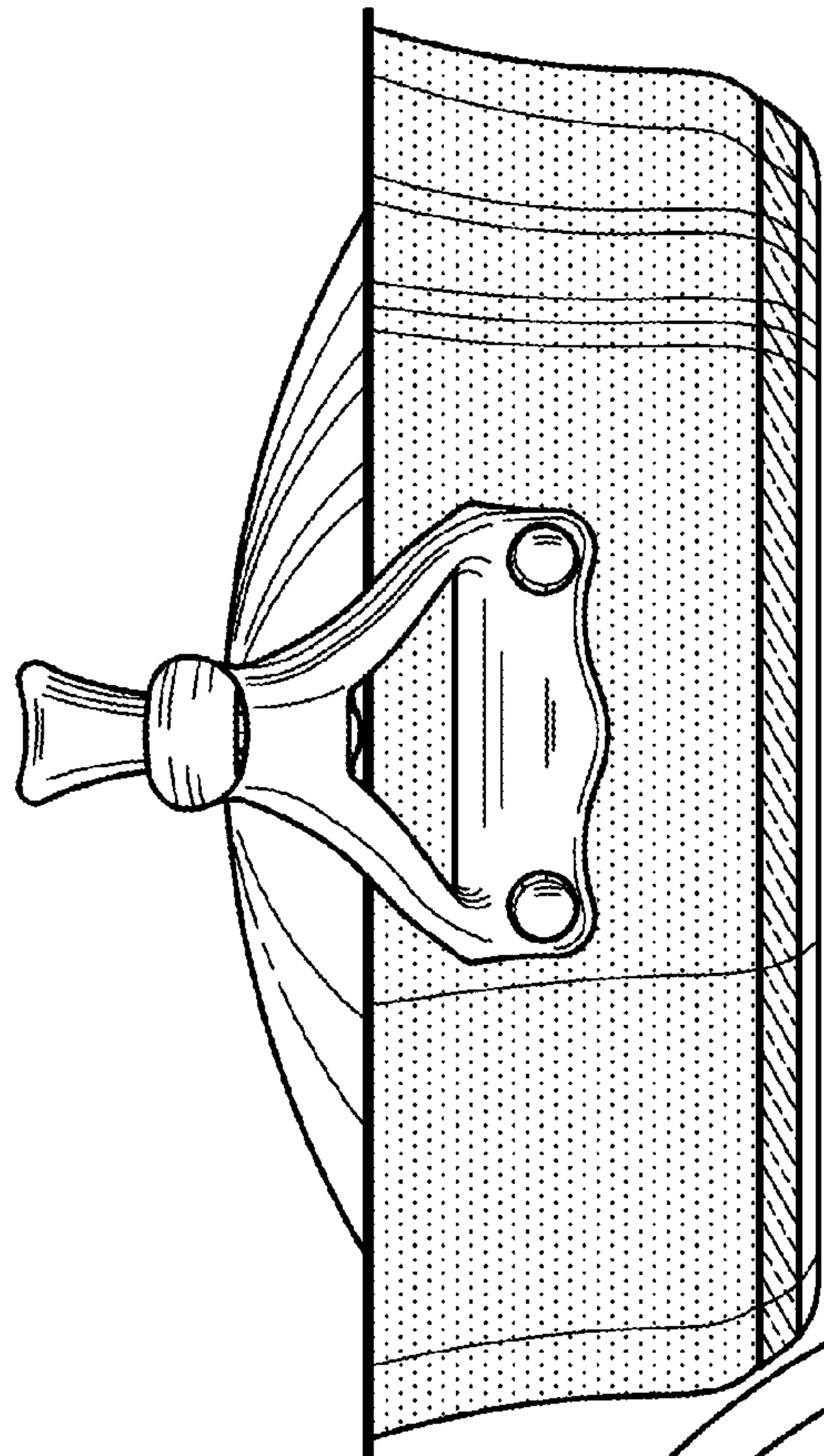


FIG. 6

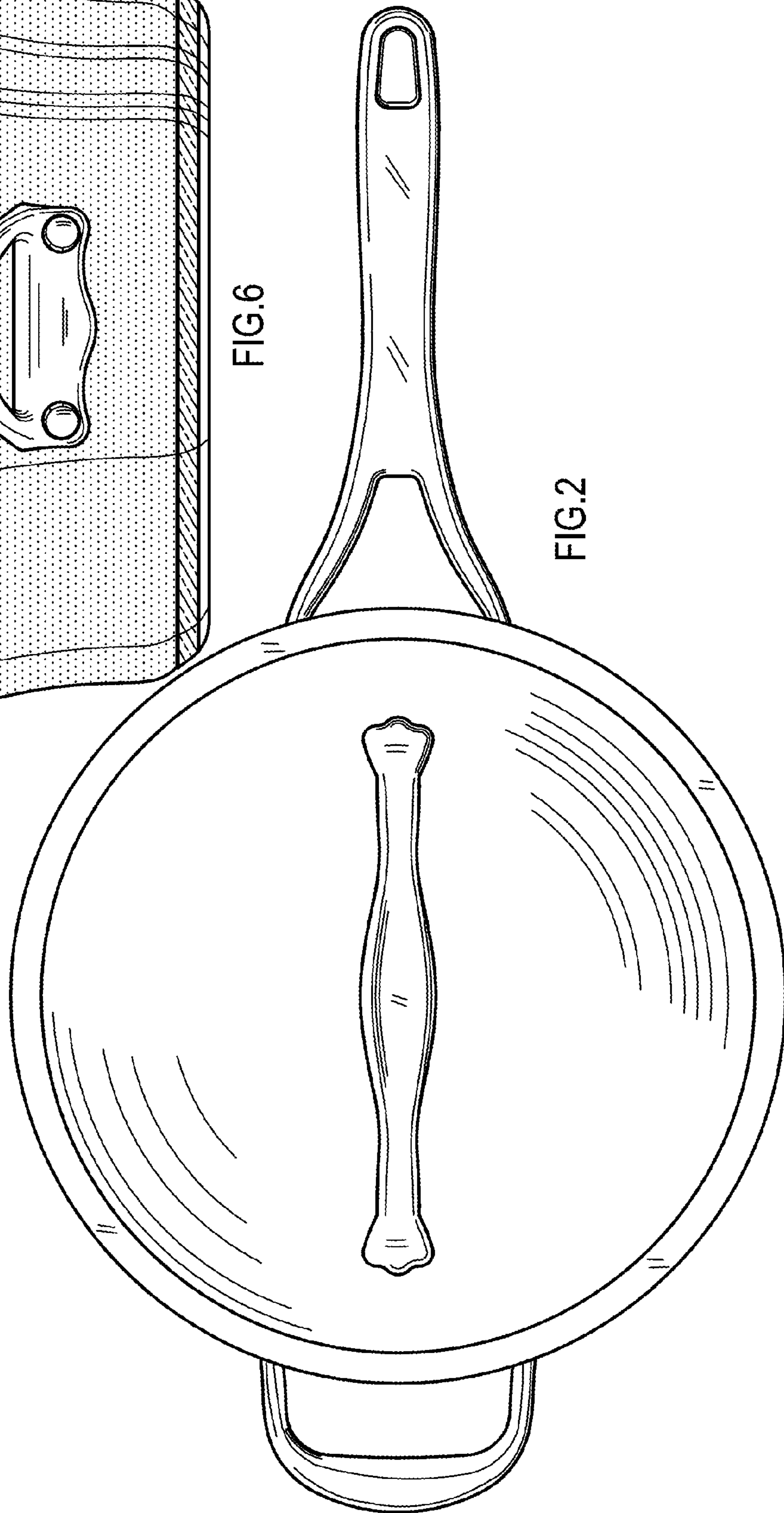


FIG. 2



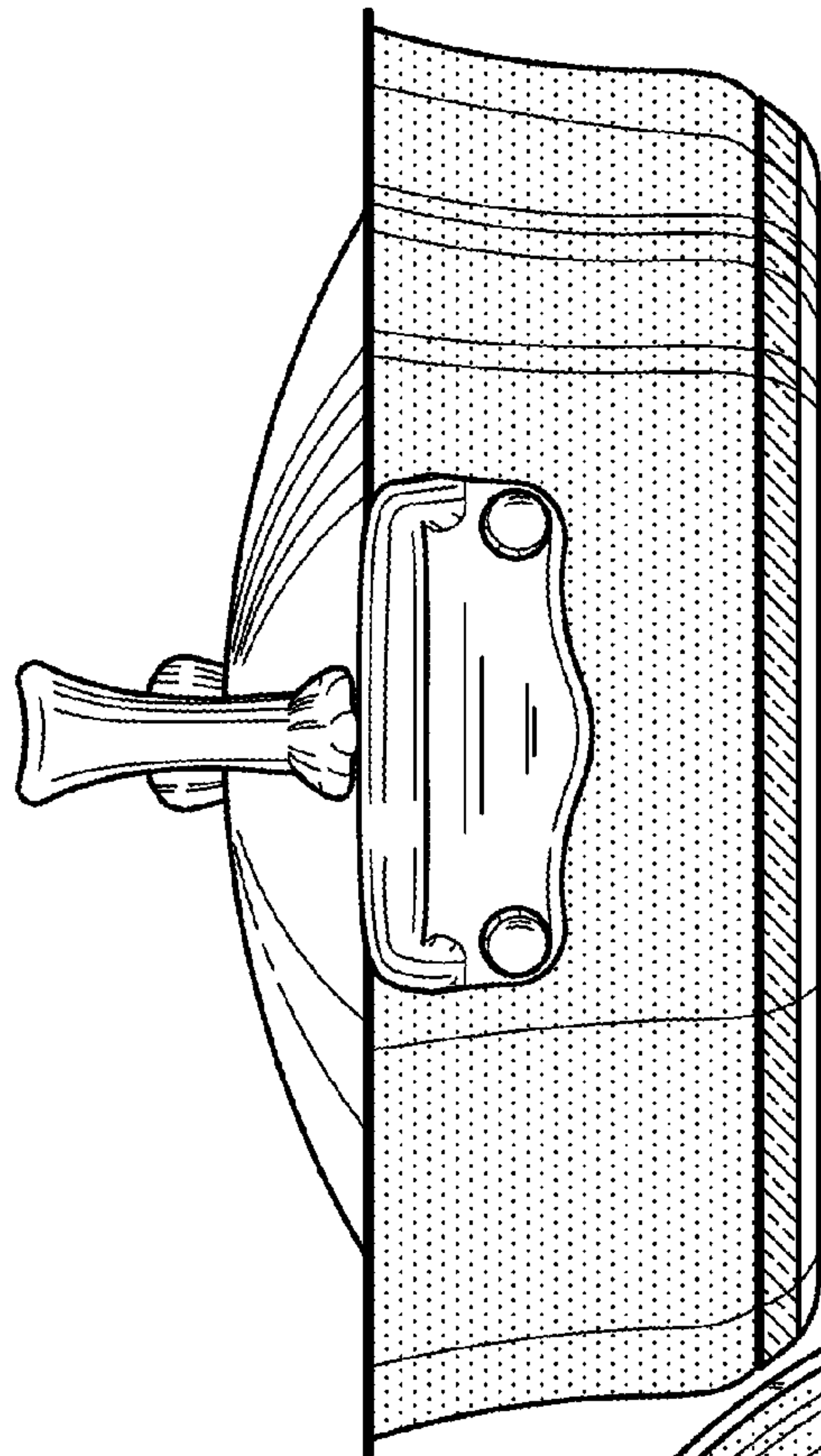


FIG. 3

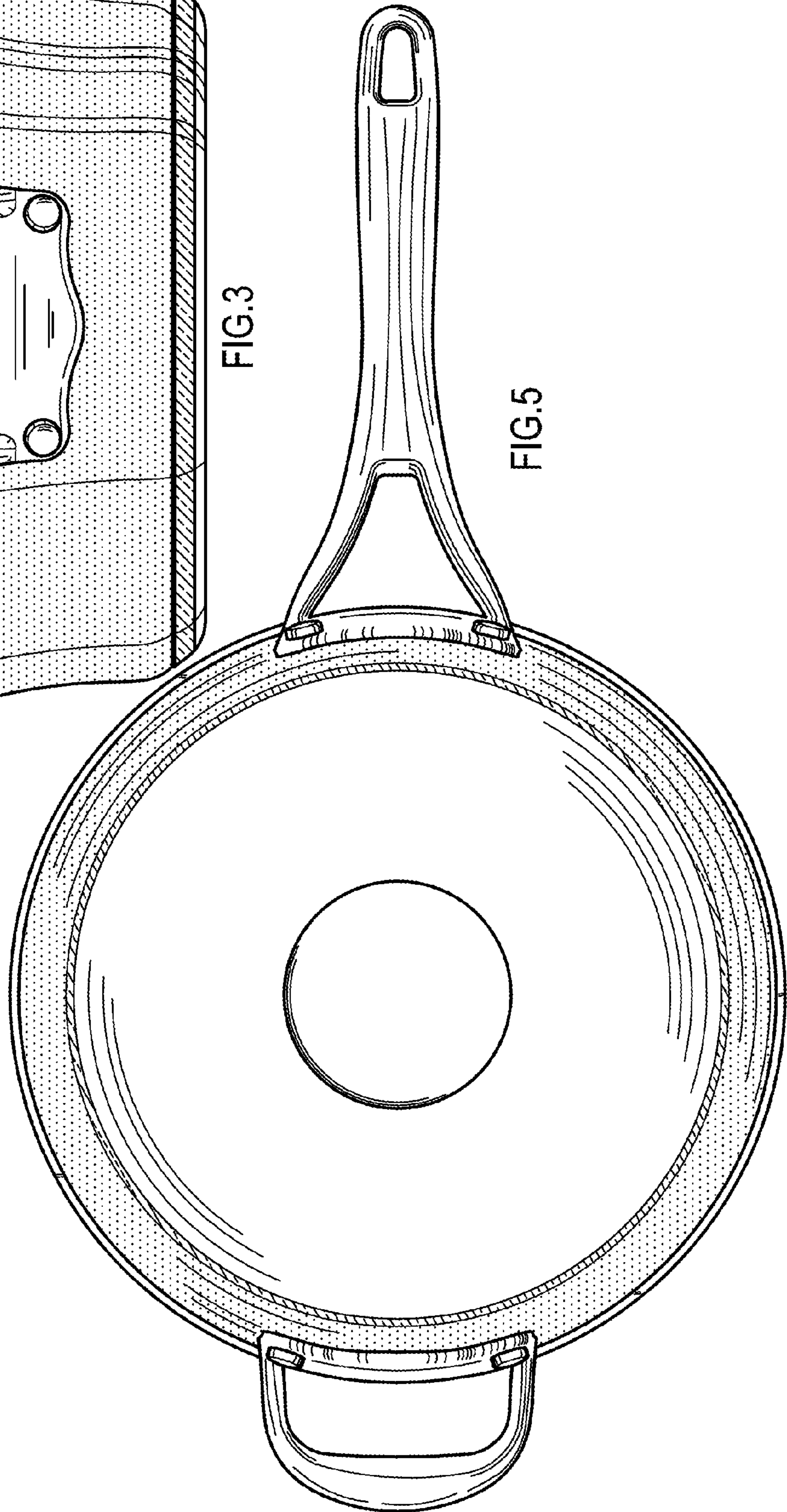


FIG. 5

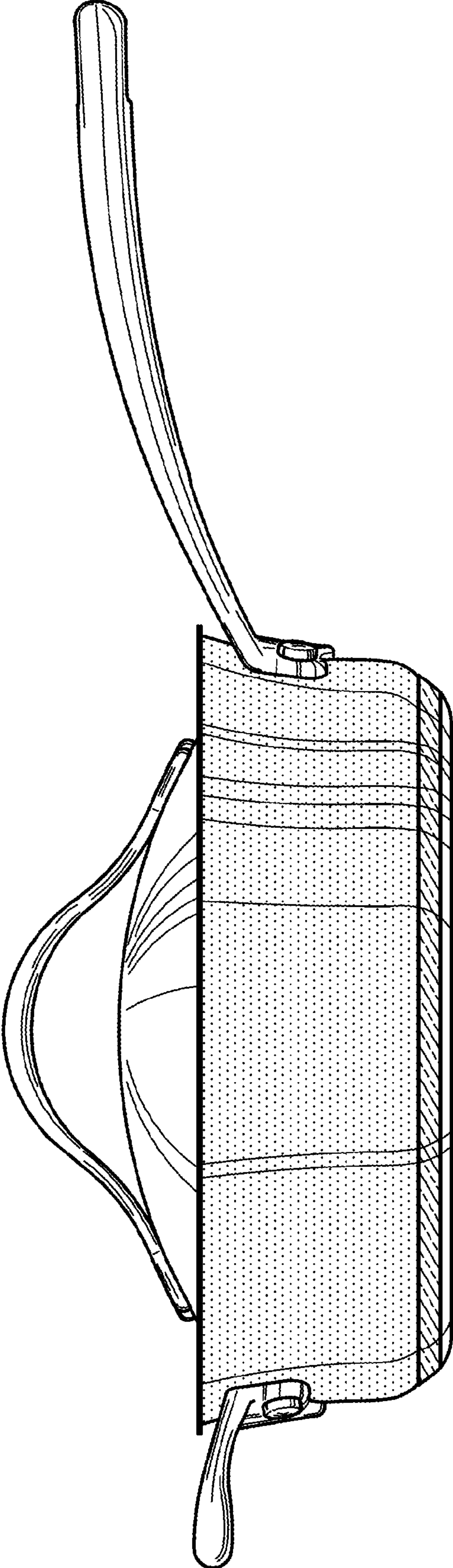


FIG.4

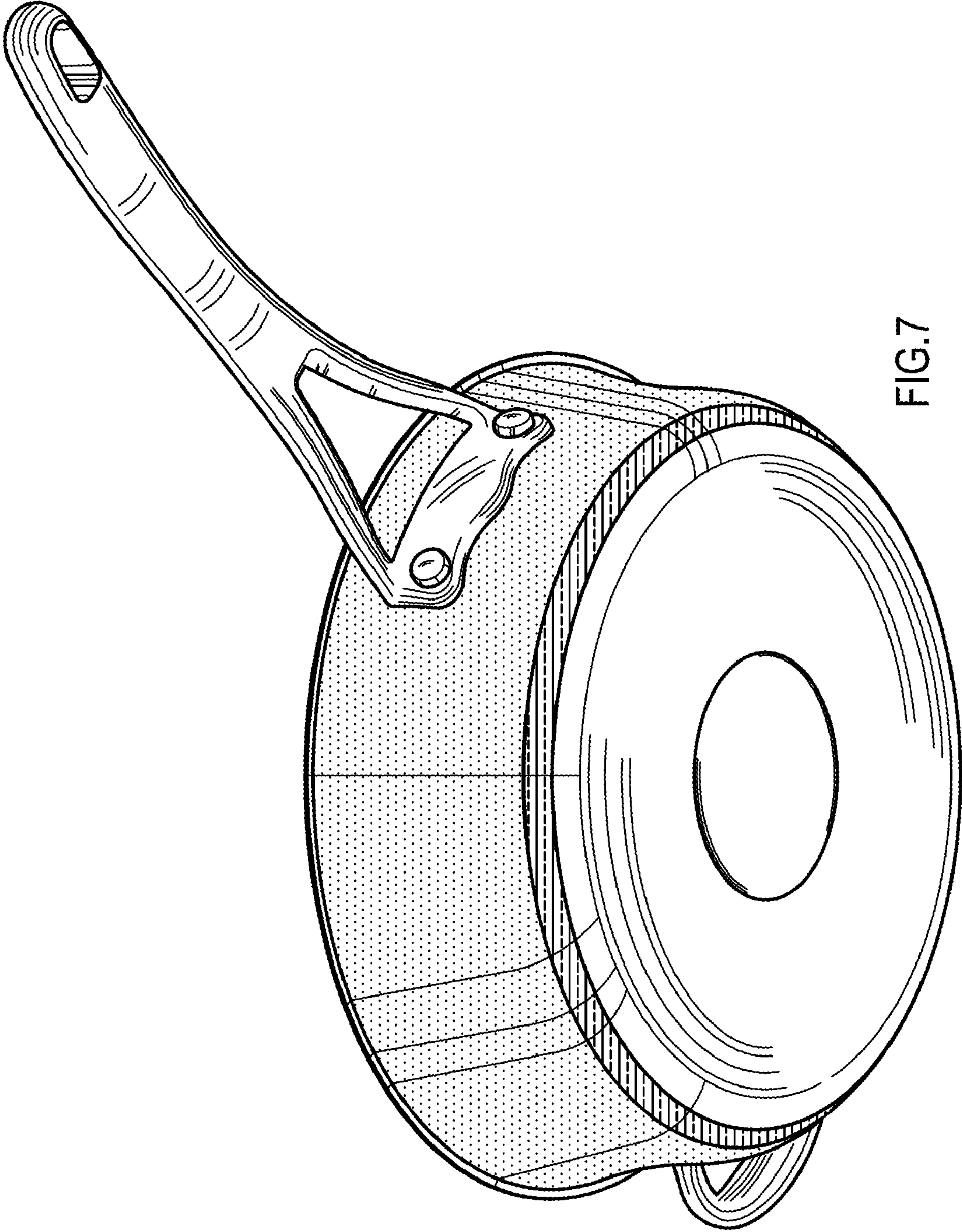


FIG. 7