



US00D581718S

(12) **United States Design Patent**
Verdun

(10) **Patent No.:** **US D581,718 S**
(45) **Date of Patent:** **** Dec. 2, 2008**

(54) **ELECTRIC KETTLE**

(75) Inventor: **Gilbert Verdun**, Fontenay Sous Bois
(FR)

(73) Assignee: **Magimix**, Vincennes (FR)

(**) Term: **14 Years**

(21) Appl. No.: **29/257,349**

(22) Filed: **Apr. 4, 2006**

(30) **Foreign Application Priority Data**

Oct. 4, 2005 (EM) 412747

(51) **LOC (8) Cl.** **07-01**

(52) **U.S. Cl.** **D7/319; D7/317**

(58) **Field of Classification Search** D7/300,
D7/316-319, 312, 320, 600; D23/207; 215/398;
220/504, 574; 222/465.1, 189.07, 146.6
See application file for complete search history.

(56) **References Cited**

U.S. PATENT DOCUMENTS

- D234,449 S * 3/1975 Stutzer D7/317
- D399,090 S * 10/1998 Green D7/319
- D427,478 S * 7/2000 Littmann et al. D7/318
- D437,175 S * 2/2001 Brady D7/319
- D439,466 S * 3/2001 Bouhuys D7/319

- D445,628 S * 7/2001 McGroary D7/318
- D464,522 S * 10/2002 O'Connor et al. D7/319
- D498,384 S * 11/2004 McWilliam D7/319

* cited by examiner

Primary Examiner—Marianne Pandozzi

(74) *Attorney, Agent, or Firm*—Young & Thompson

(57) **CLAIM**

The ornamental design for an electric kettle, as shown and described.

DESCRIPTION

FIG. 1 is a top and rear perspective view of an electric kettle showing my new design;

FIG. 2 is a front elevational view thereof;

FIG. 3 is a side elevational view thereof from the left of FIG. 2;

FIG. 4 is a side elevational view thereof from the right of FIG. 2;

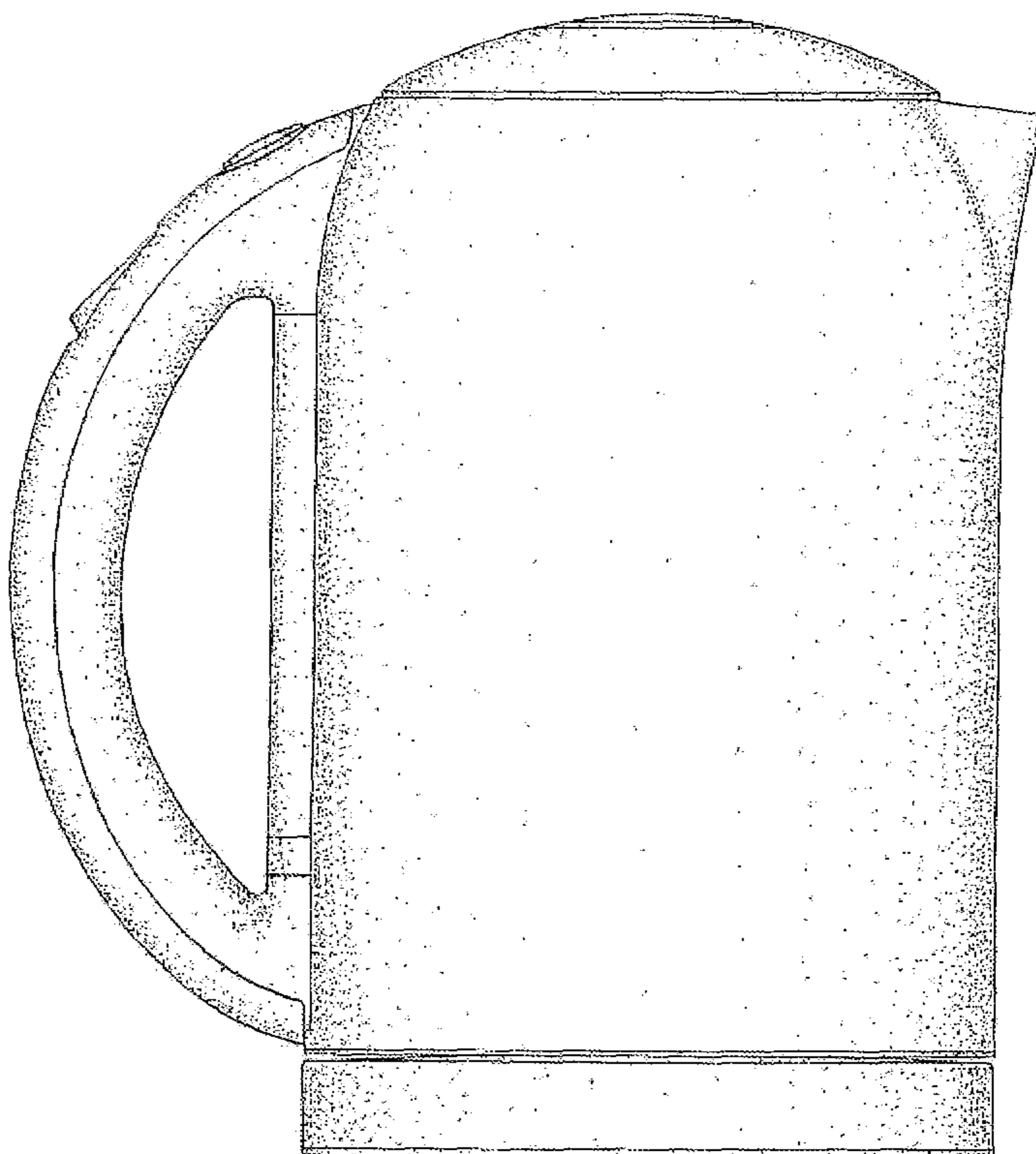
FIG. 5 is a rear elevational view thereof; and,

FIG. 6 is a top plan view thereof.

Material shown in broken lines is not claimed.

The bottom of the electric kettle is not seen in use and its appearance is not claimed.

1 Claim, 6 Drawing Sheets



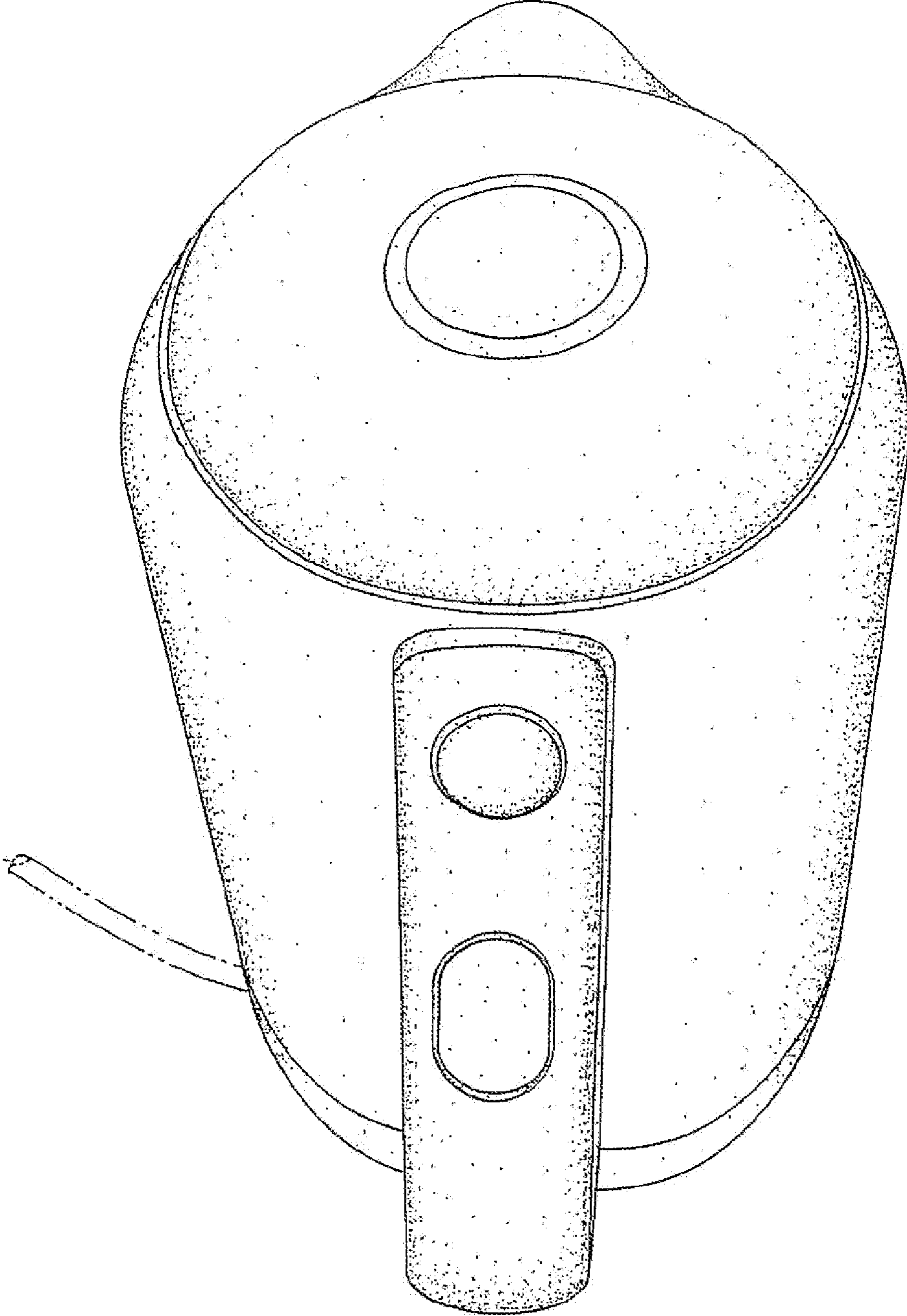


Fig. 1

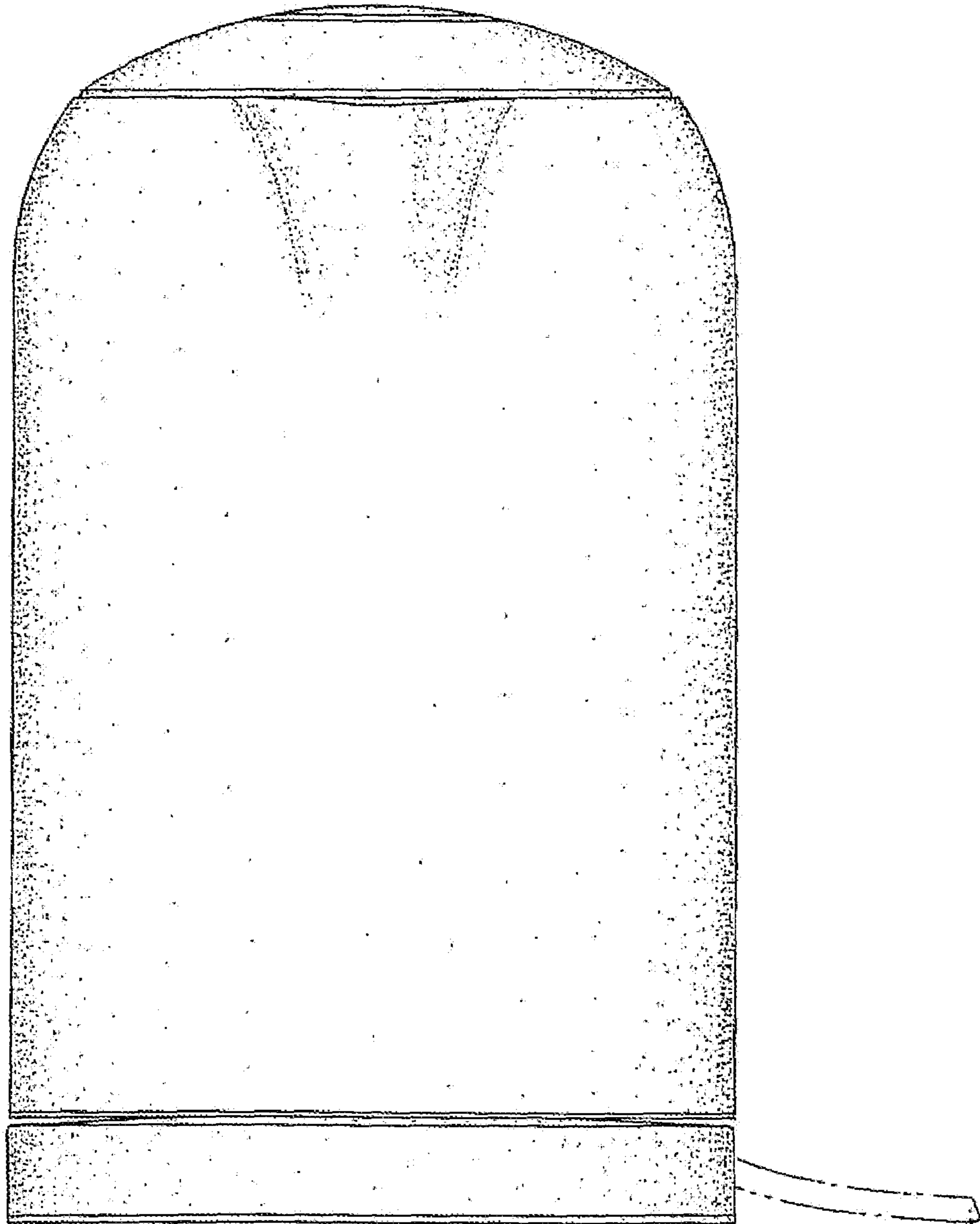


Fig. 2



Fig. 3

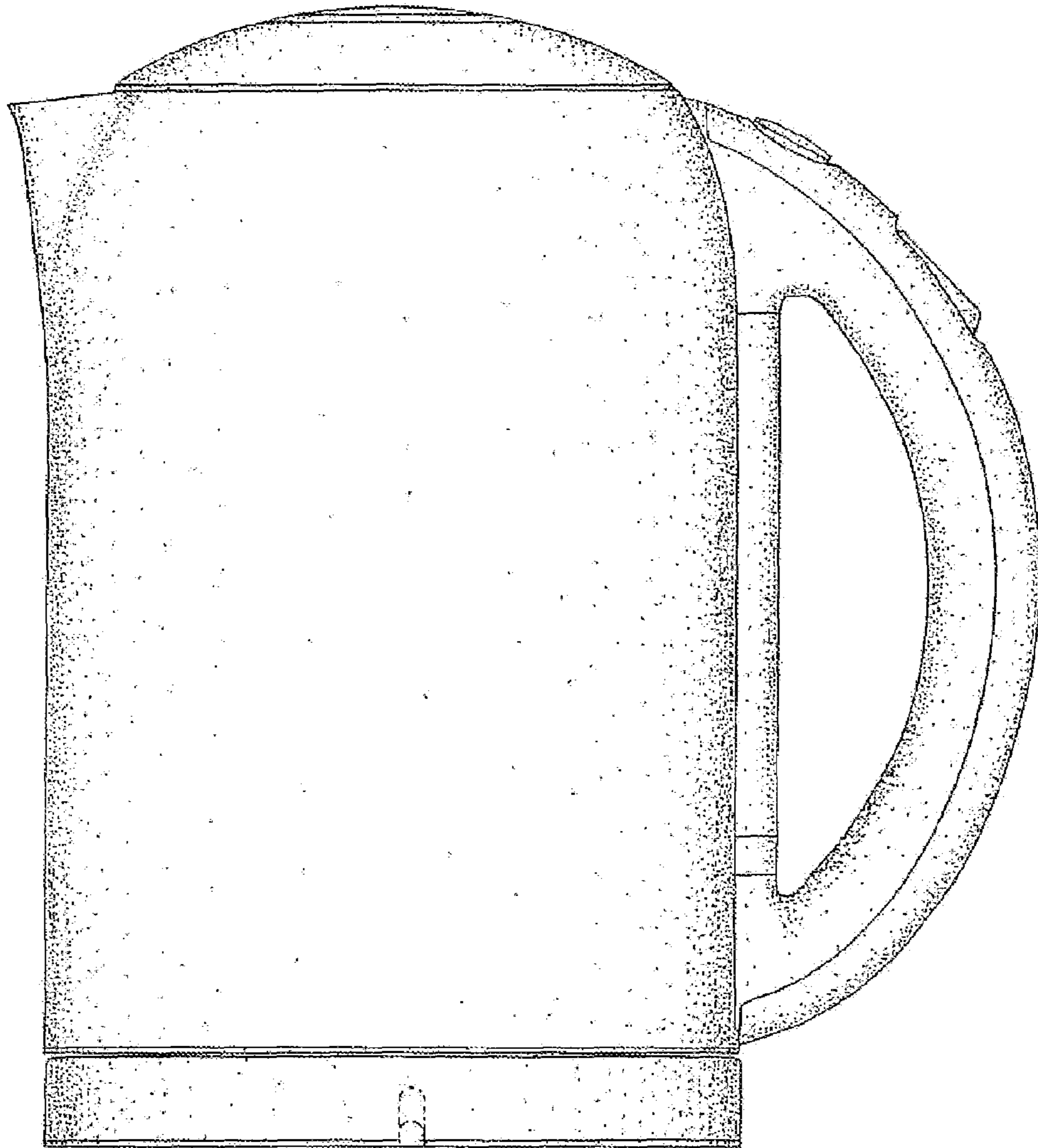


Fig. 4

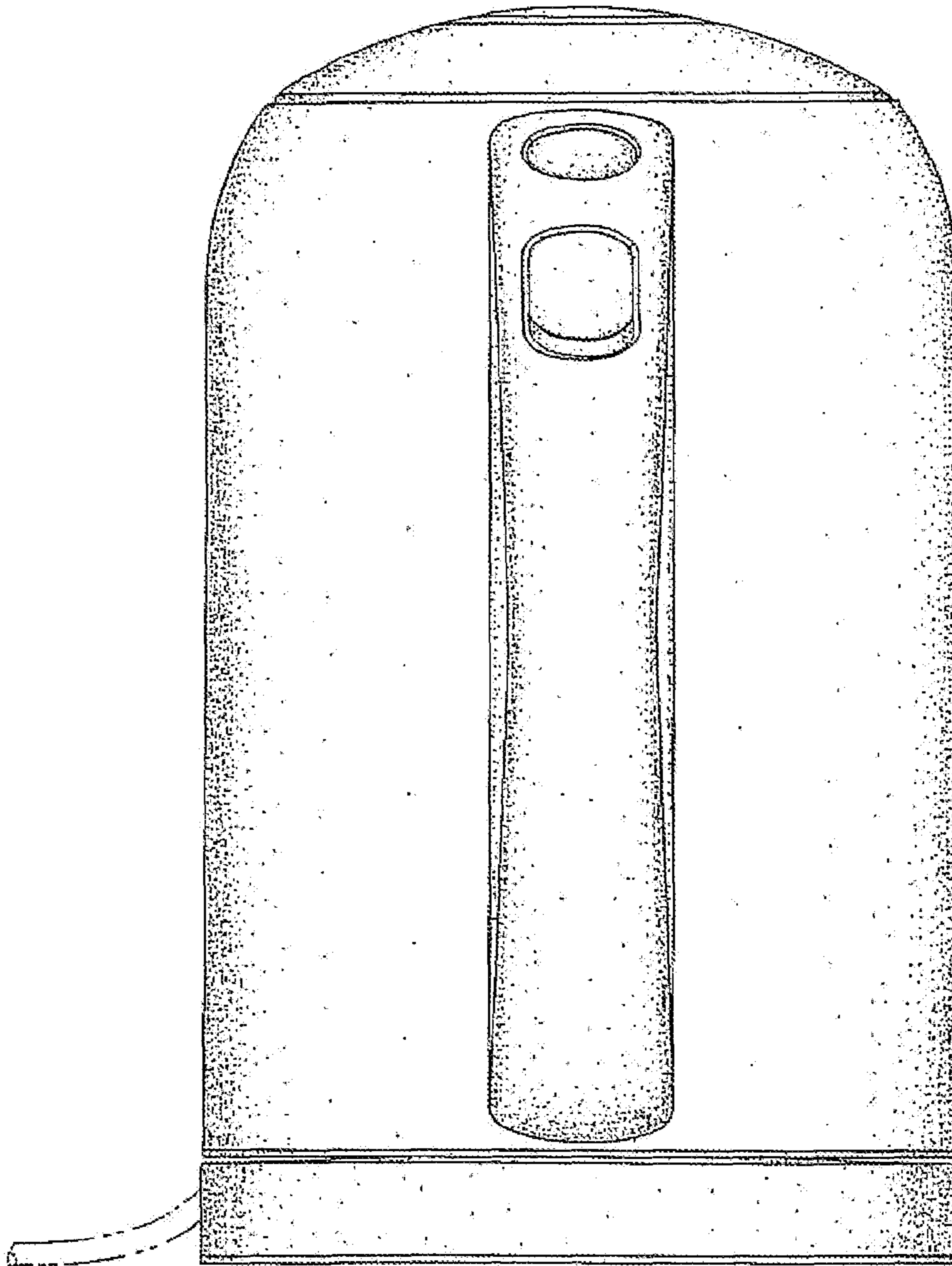


Fig. 5

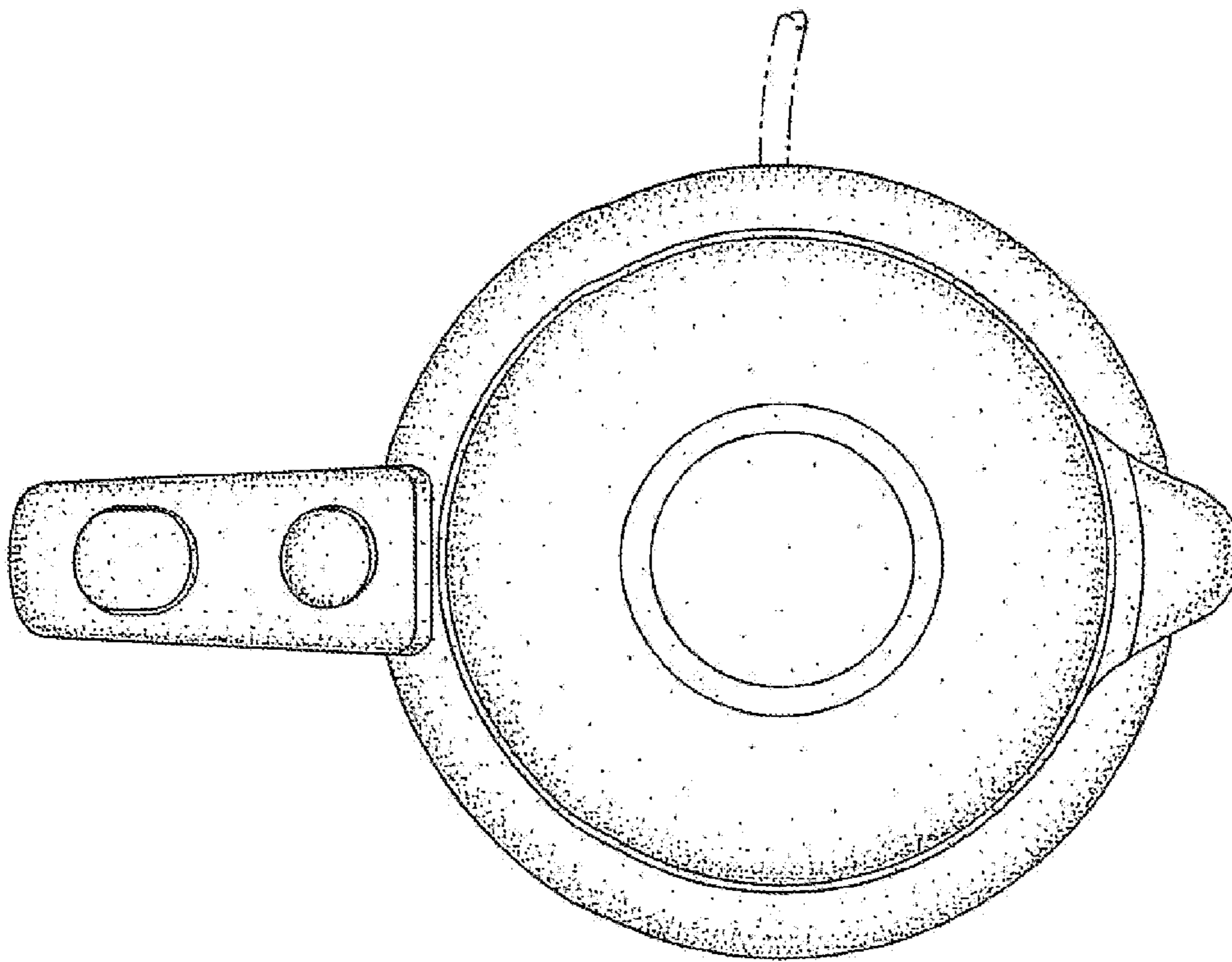


Fig. 6