



US00D581717S

(12) **United States Design Patent**
Parker et al.

(10) **Patent No.:** **US D581,717 S**

(45) **Date of Patent:** **** Dec. 2, 2008**

(54) **COFFEEMAKER**

D345,484 S * 3/1994 Mason D7/309
D509,701 S * 9/2005 Lam D7/309

(75) Inventors: **Kenneth Parker**, Delray Beach, FL
(US); **David Buck**, Delray Beach, FL
(US)

* cited by examiner

Primary Examiner—Holly H Baynham

Assistant Examiner—Sheryl Lane

(73) Assignee: **Sunbeam Products, Inc.**, Boca Raton,
FL (US)

(74) *Attorney, Agent, or Firm*—Seth Blum

(**) Term: **14 Years**

(57) **CLAIM**

(21) Appl. No.: **29/269,817**

The ornamental design for a coffeemaker, as shown and described.

(22) Filed: **Dec. 8, 2006**

DESCRIPTION

(51) **LOC (8) Cl.** **07-01**

FIG. 1 is a right front perspective view of a coffeemaker

(52) **U.S. Cl.** **D7/309**

FIG. 2 is a left side view thereof;

(58) **Field of Classification Search** D7/300,

FIG. 3 is a front view thereof;

D7/305, 306, 307, 308; 99/299, 284, 280,

FIG. 4 is a right side view thereof;

99/283, 300; 222/129.1–129.4; 219/433

FIG. 5 is a rear view thereof; and,

See application file for complete search history.

FIG. 6 is a top plan view thereof.

(56) **References Cited**

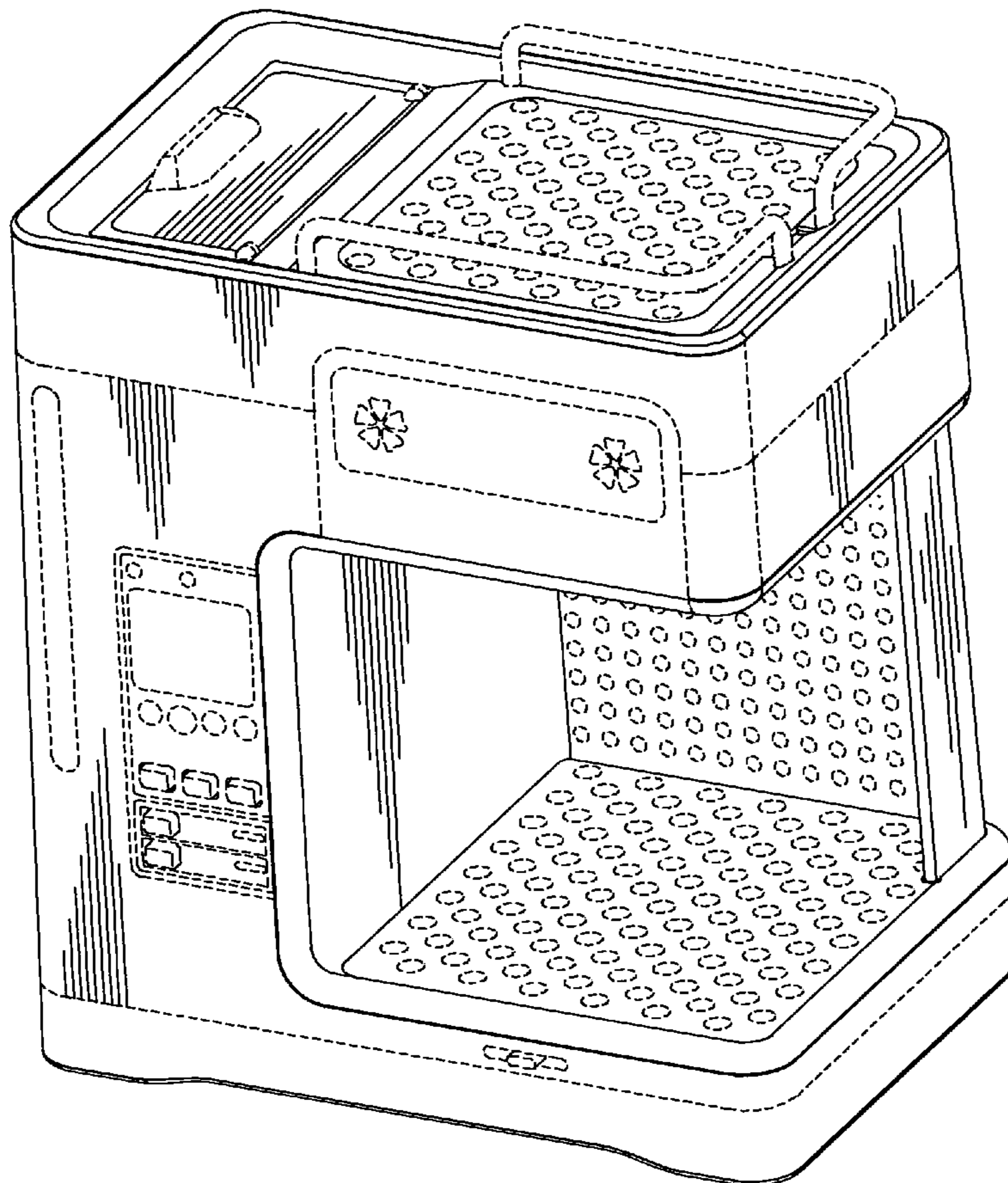
The broken lines in the drawings are for illustrative purposes only and form no part of the claimed design.

U.S. PATENT DOCUMENTS

4,635,824 A * 1/1987 Gaunt et al. 222/129.1

D303,903 S * 10/1989 Yoshiaki et al. D7/309

1 Claim, 6 Drawing Sheets



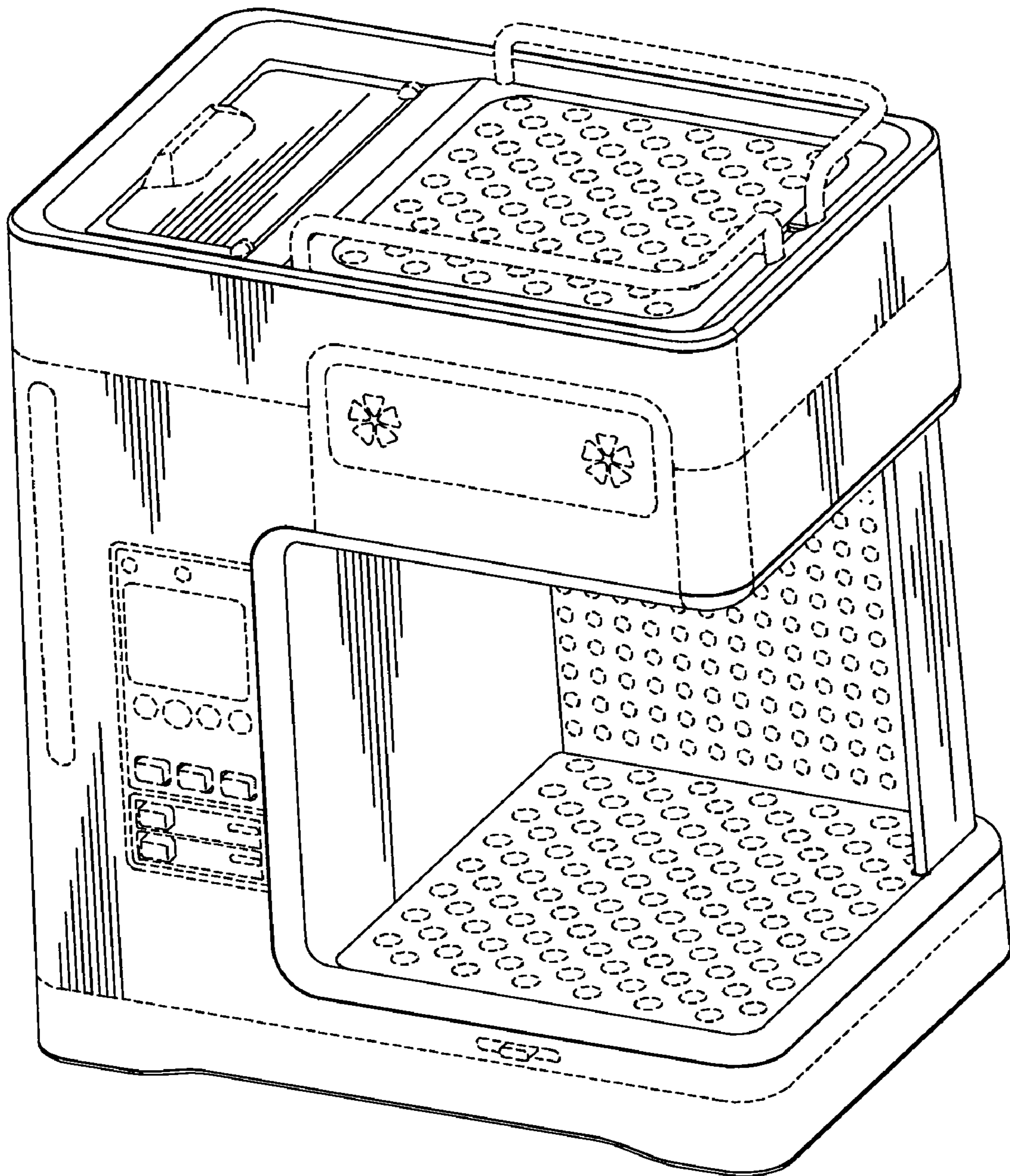


FIG 1

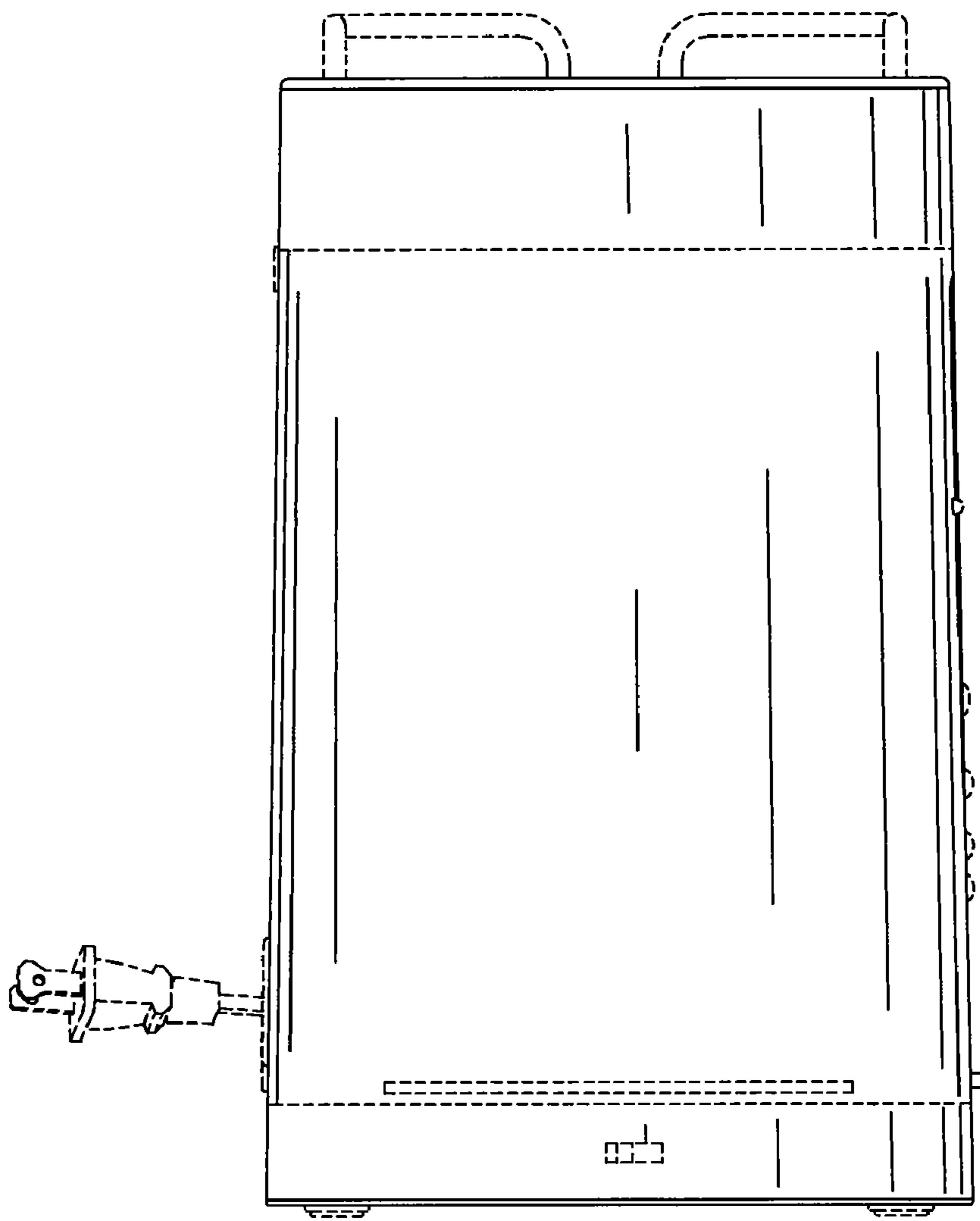


FIG 2

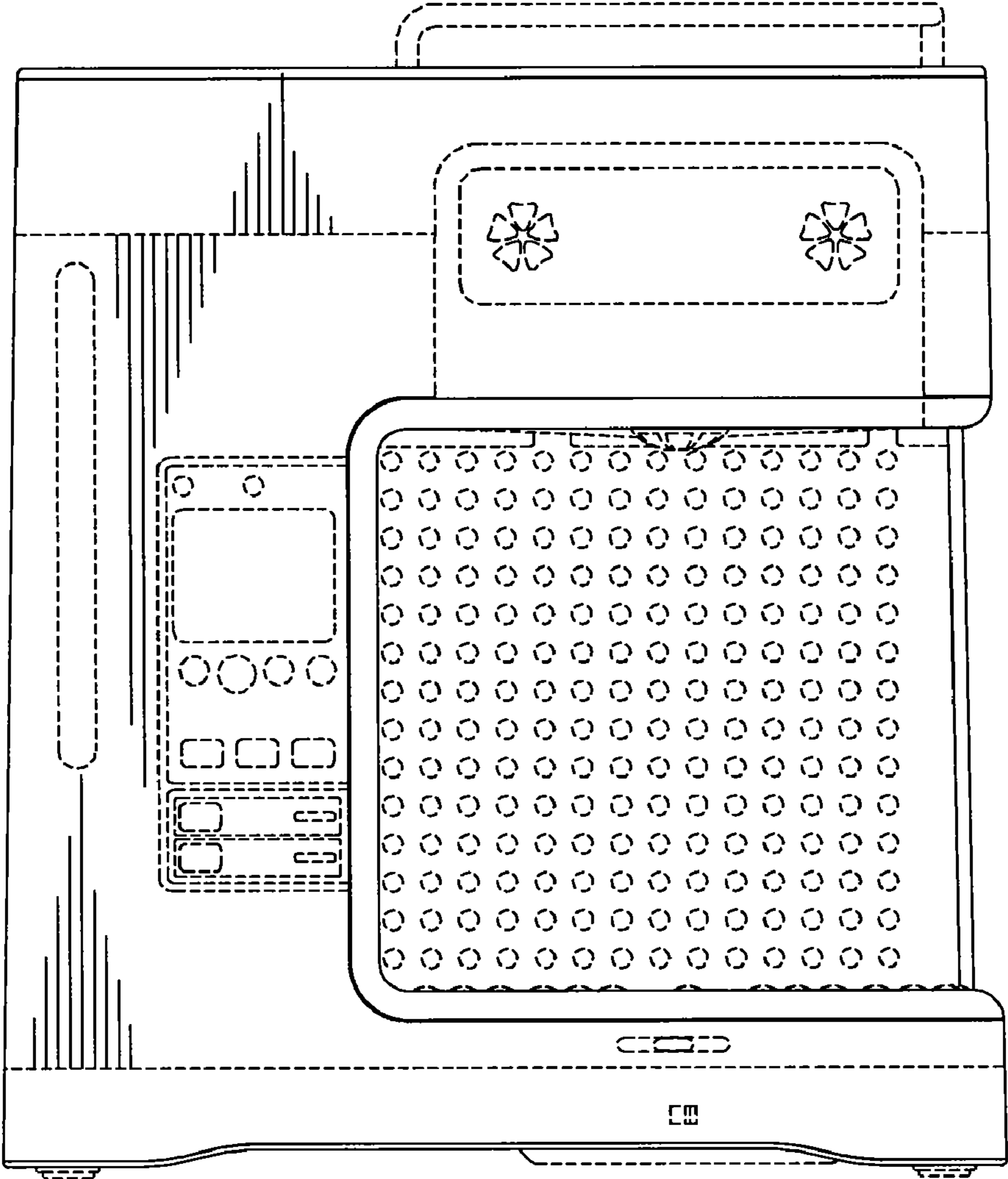


FIG 3

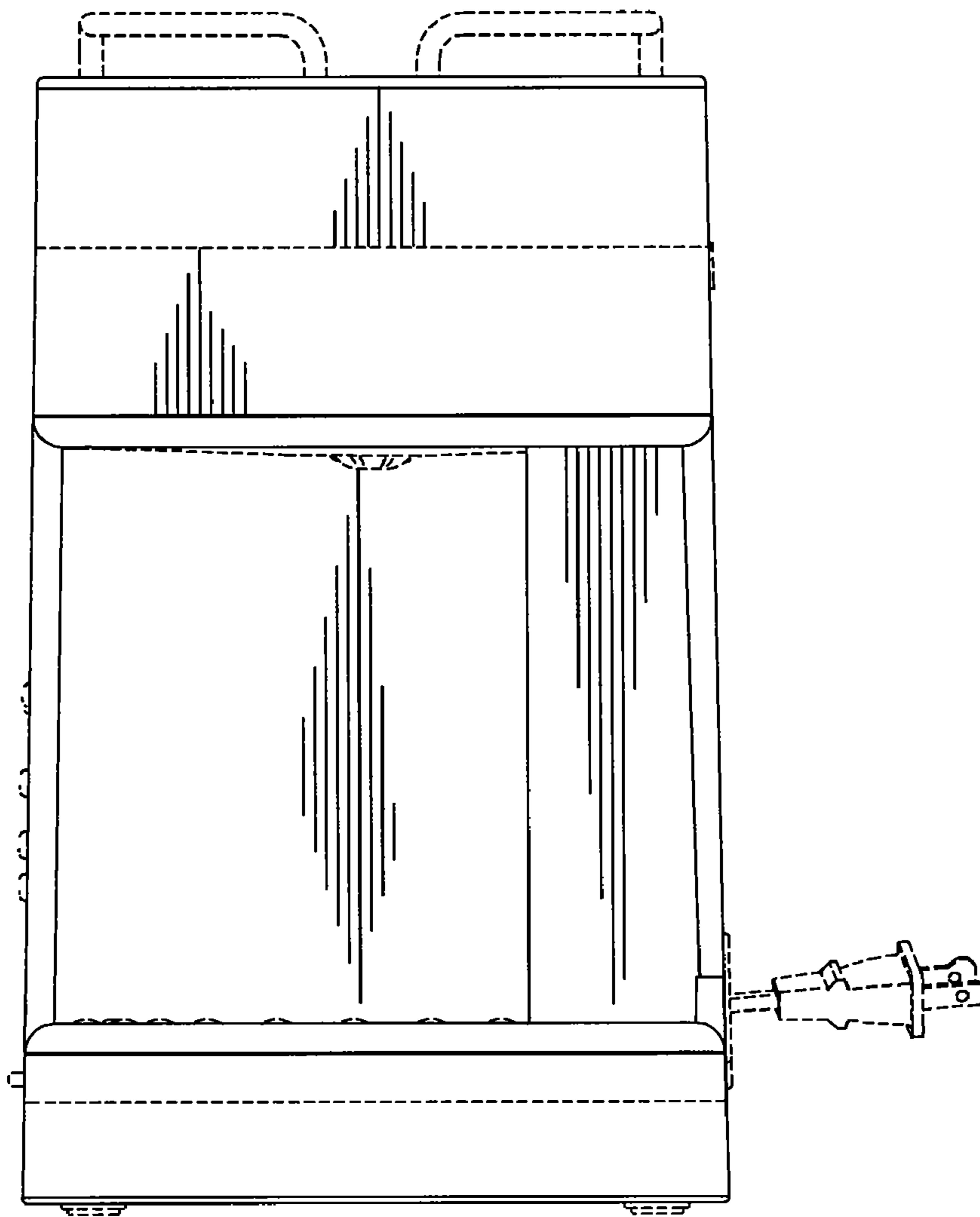


FIG 4

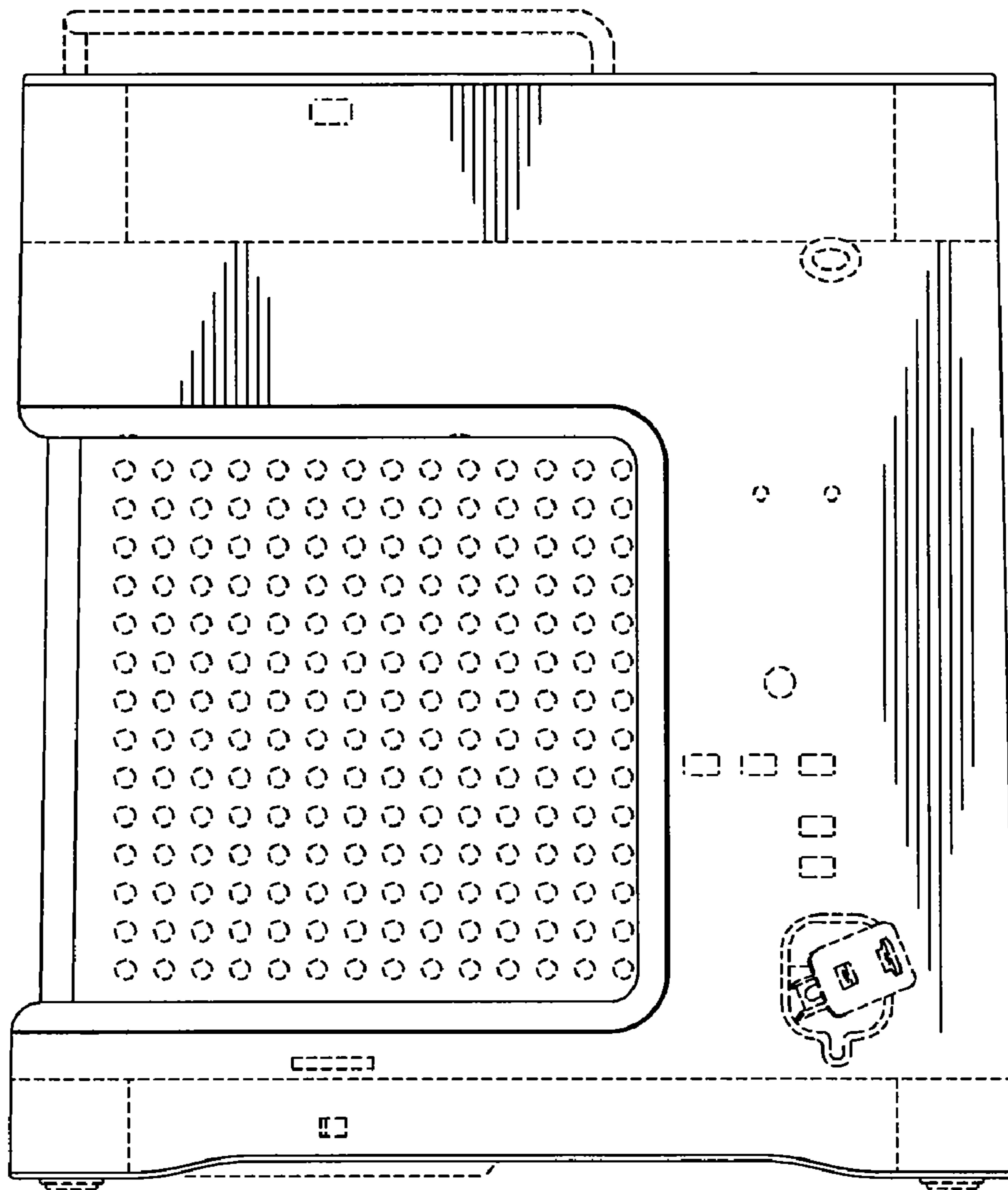


FIG 5

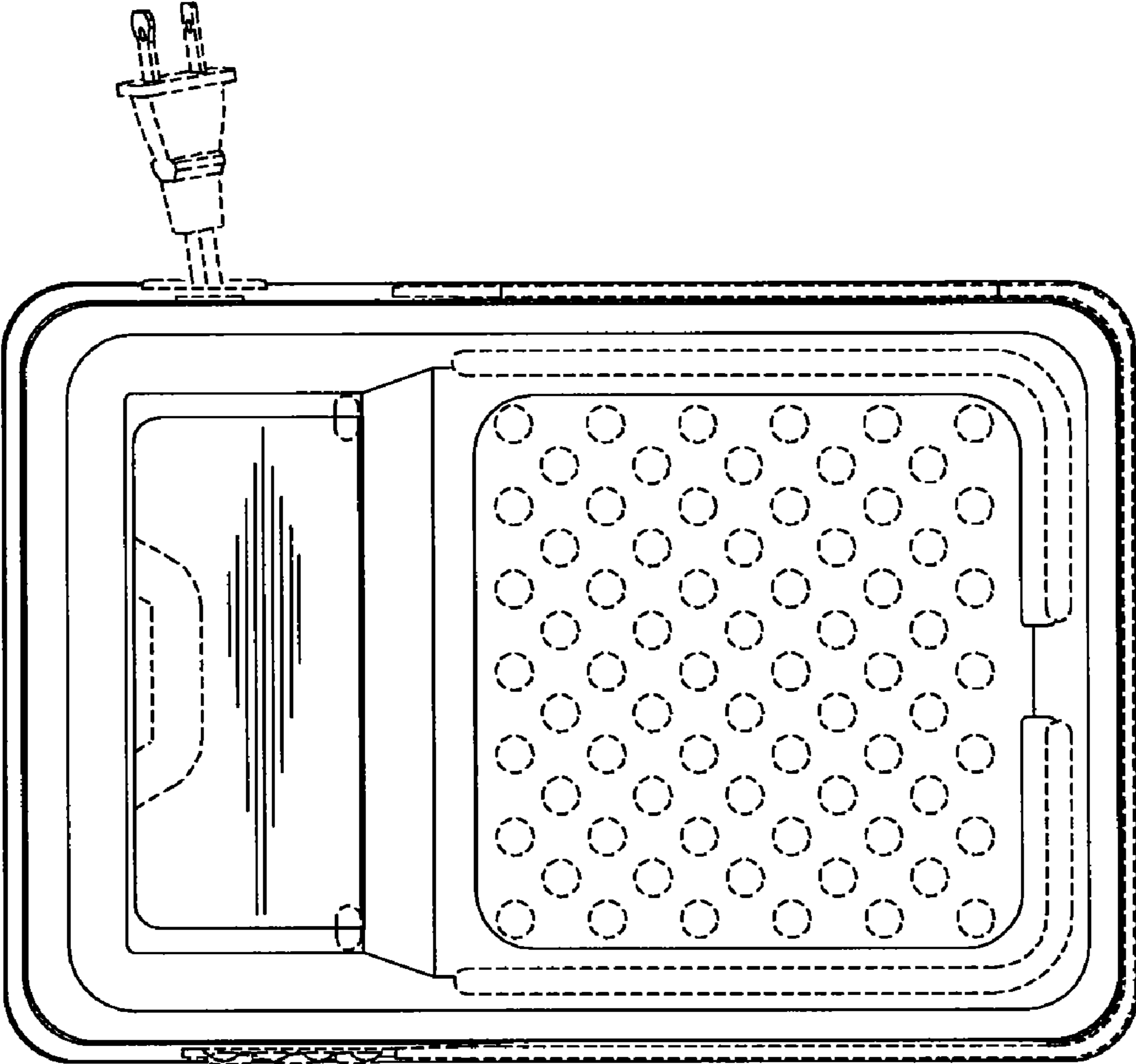


FIG 6