



US00D581711S

(12) **United States Design Patent**
Goodman et al.

(10) **Patent No.:** **US D581,711 S**

(45) **Date of Patent:** **** Dec. 2, 2008**

(54) **KEY RACK**

(57) **CLAIM**

(75) Inventors: **Sheldon H. Goodman**, Solon, OH (US);
Omer I. Sazir, Cleveland, OH (US)

The ornamental design for a key rack, as shown and described.

(73) Assignee: **Spectrum Diversified Designs, Inc.**,
Streetsboro, OH (US)

DESCRIPTION

(**) Term: **14 Years**

FIG. 1 is a perspective view of a key rack, showing our new design;

(21) Appl. No.: **29/303,822**

FIG. 2 is a side elevational view thereof;

(22) Filed: **Feb. 19, 2008**

FIG. 3 is a front elevational view thereof;

(51) **LOC (8) Cl.** **06-04**

FIG. 4 is a top plan view thereof;

(52) **U.S. Cl.** **D6/572**

FIG. 5 is a rear elevational view thereof;

(58) **Field of Classification Search** D6/553,
D6/567, 569-572; 248/309.1; D8/345, 363,
D8/367, 371-373, 380; 206/349; 211/13.1,
211/86.01, 87.01, 85.9

FIG. 6 is a bottom plan view thereof;

See application file for complete search history.

FIG. 7 is a perspective view of a second embodiment of a key rack showing a 7-hook style of our new design;

FIG. 8 is a side elevational view thereof;

(56) **References Cited**

U.S. PATENT DOCUMENTS

2,889,050	A *	6/1959	Modrey	211/85.9
D444,377	S *	7/2001	Harvey	D8/371
D469,647	S *	2/2003	Howard	D6/569
D483,593	S *	12/2003	Knapp	D6/572

FIG. 9 is a top plan view thereof;

FIG. 10 is a front elevational view thereof;

FIG. 11 is a rear elevational view thereof;

FIG. 12 is a bottom plan view thereof; and,

FIG. 13 is a perspective view of a third embodiment of a key rack. The jagged broken lines form no part of the claimed design and the subject matter between the jagged lines is broken away to indicate that the length of the key rack and number of key hooks, uniformly spaced as shown, do not form part of the invention.

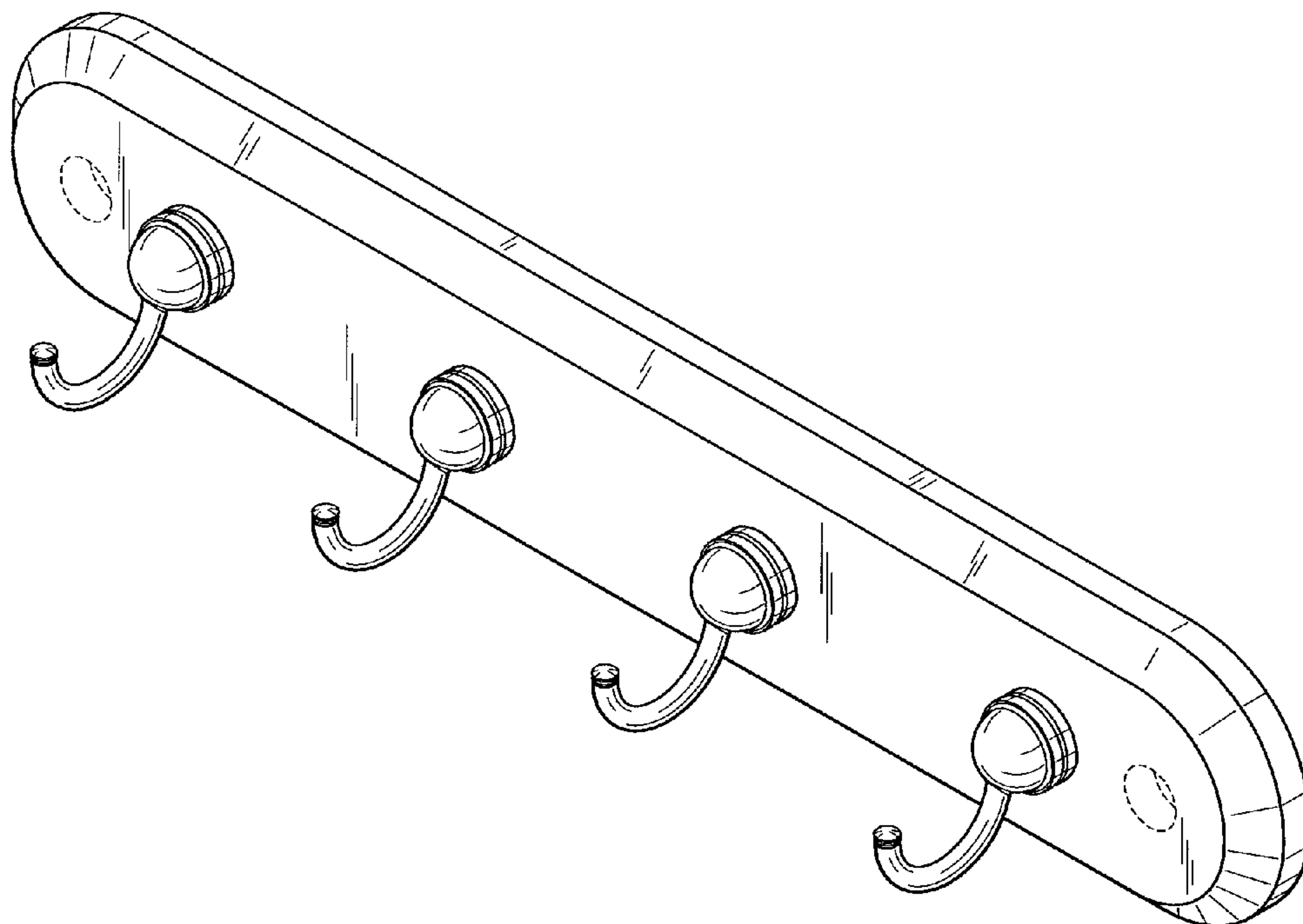
The dotted-line disclosure of elements in the views is for illustrative purposes only and forms no part of the claimed design.

* cited by examiner

Primary Examiner—Brian N Vinson

(74) *Attorney, Agent, or Firm*—Pearne & Gordon LLP

1 Claim, 6 Drawing Sheets



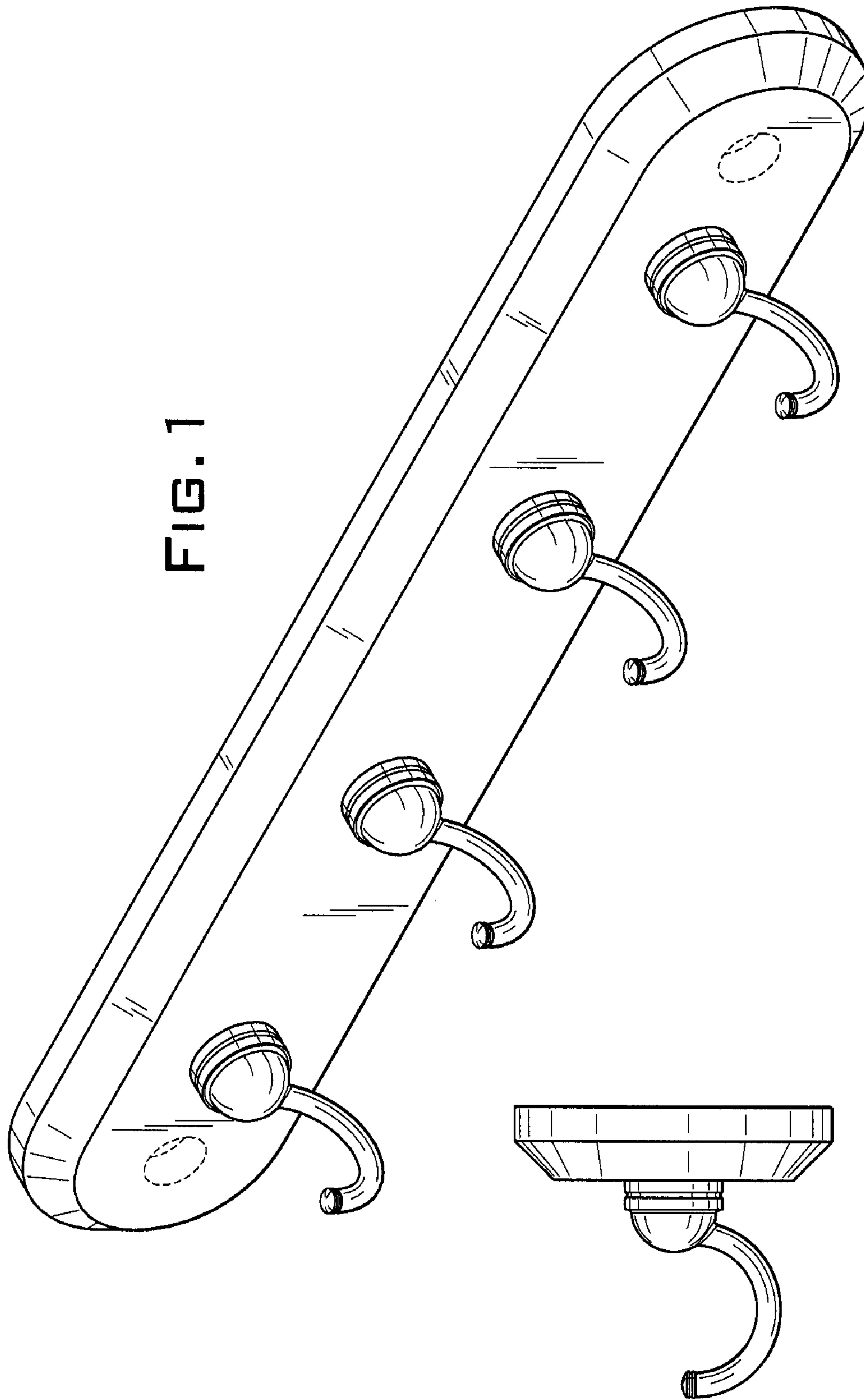


FIG. 1

FIG. 2

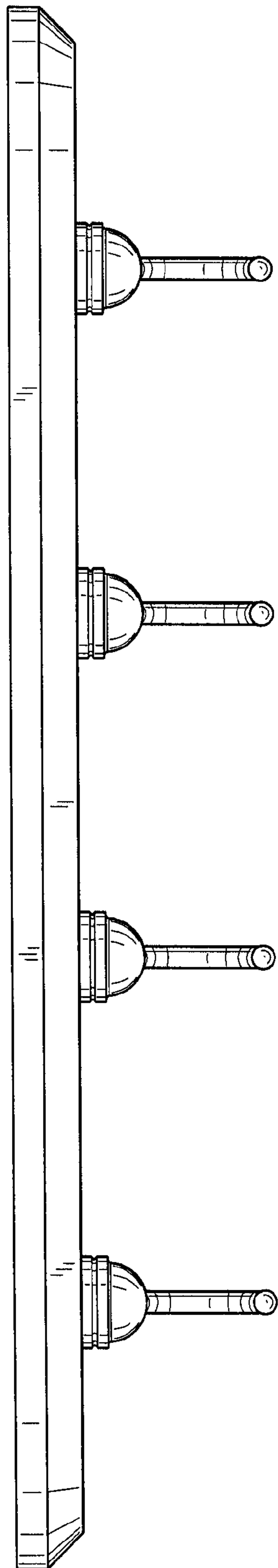


FIG. 4

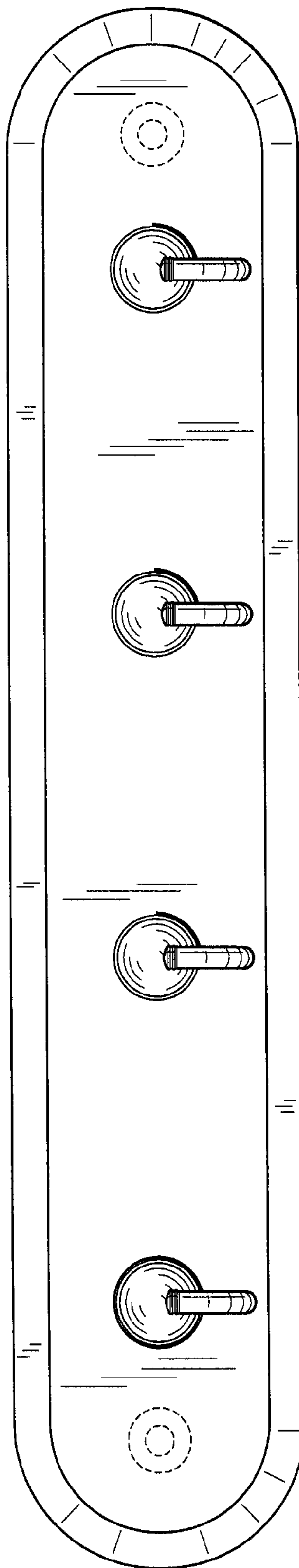


FIG. 3

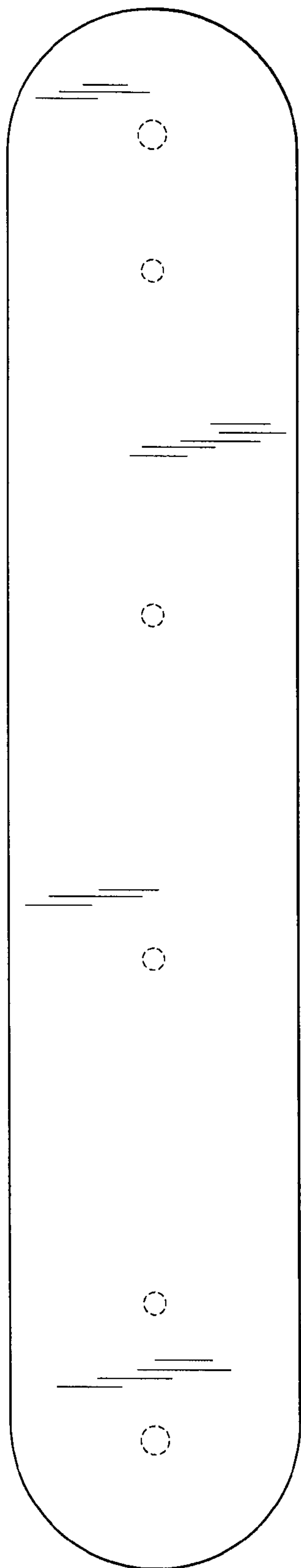


FIG. 5

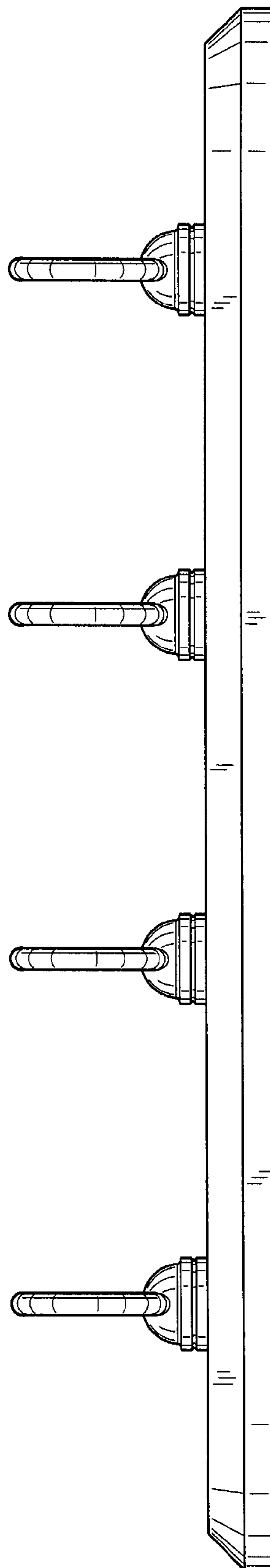


FIG. 6

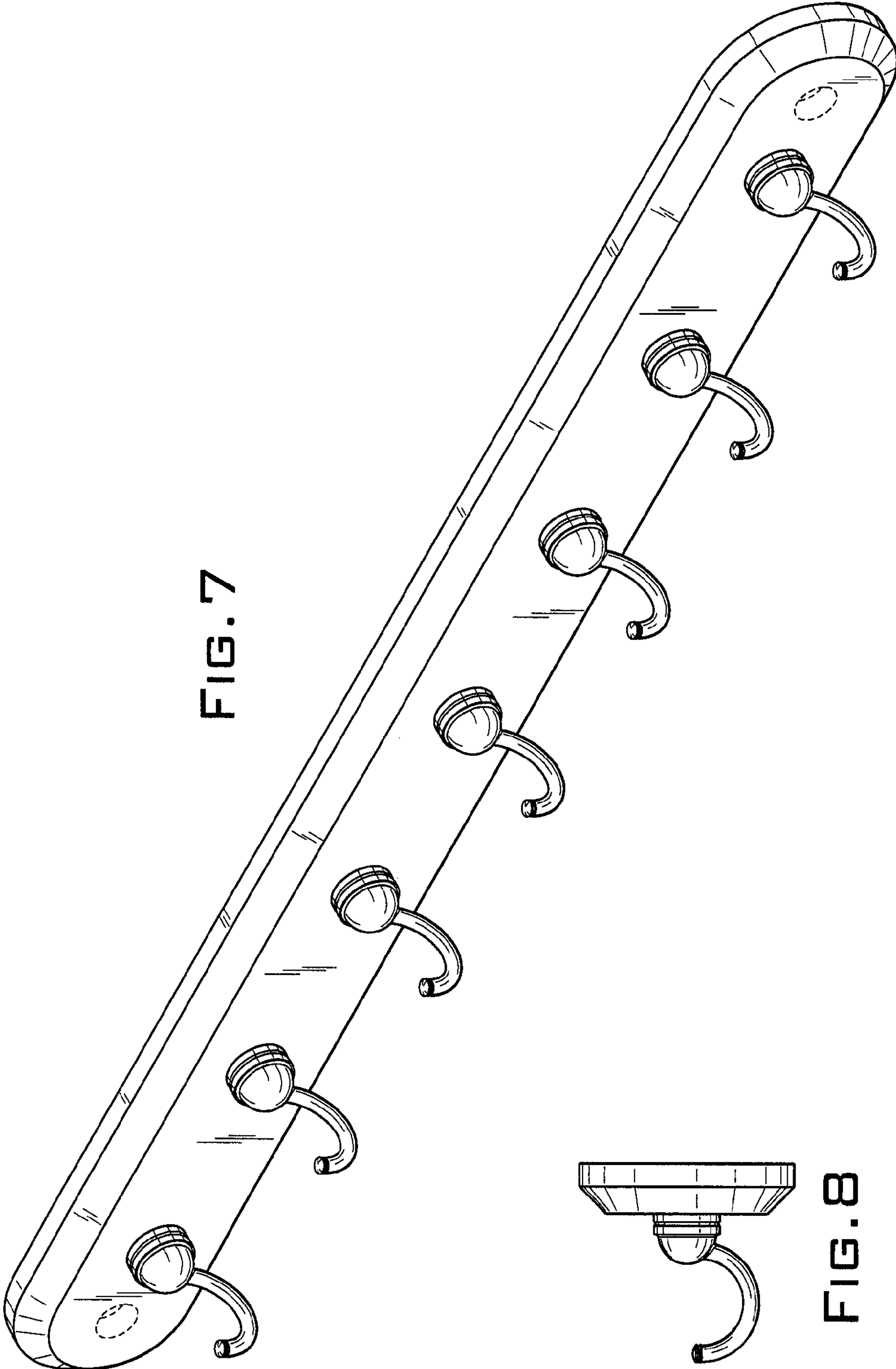


FIG. 7

FIG. 8

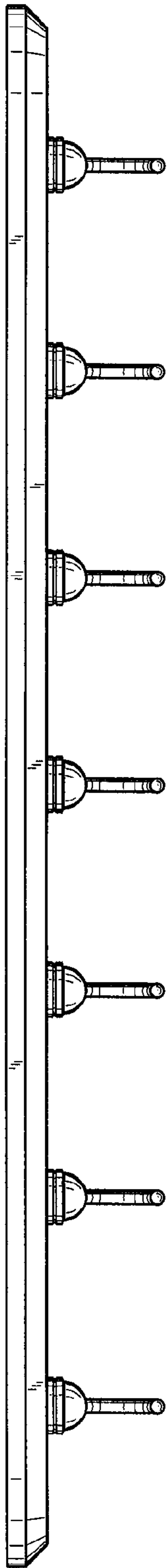


FIG. 9

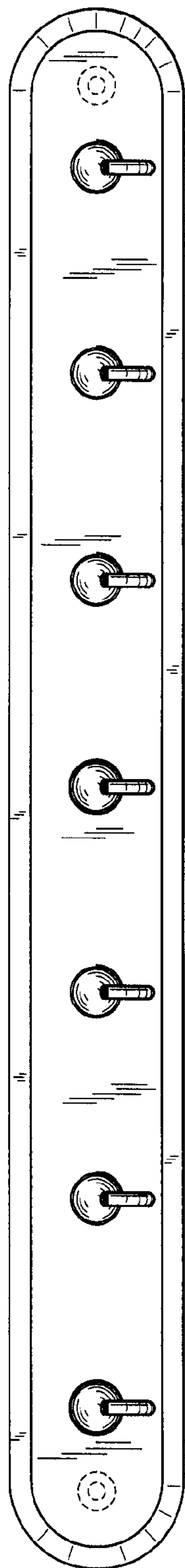


FIG. 10

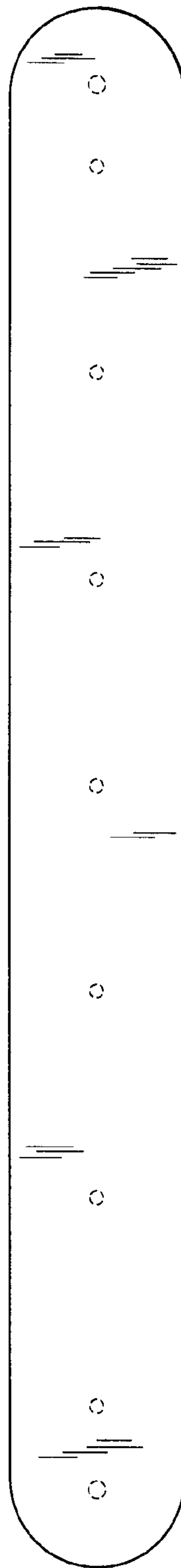


FIG. 11

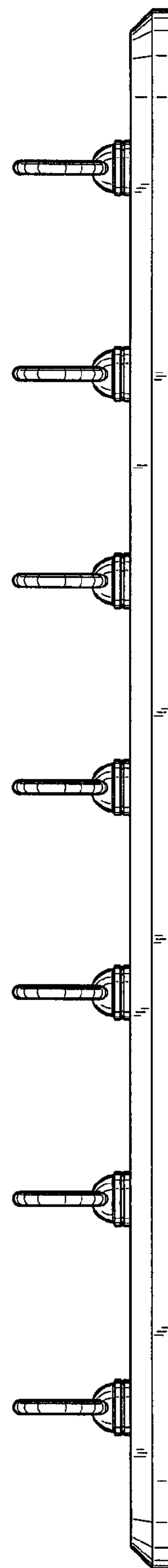


FIG. 12

FIG. 13

