



US00D581707S

(12) **United States Design Patent**
Cazares et al.

(10) **Patent No.:** **US D581,707 S**

(45) **Date of Patent:** **** Dec. 2, 2008**

(54) **CURVED BASE**

D240,344 S * 6/1976 Adkinson D6/381
D248,603 S * 7/1978 Beall, Jr. D6/379

(75) Inventors: **Rene M. Cazares**, Hacienda Heights, CA (US); **Richard R. Cazares**, West Covina, CA (US)

* cited by examiner

Primary Examiner—Sandra Snapp

(73) Assignee: **RC Furniture**, City of Industry, CA (US)

(74) *Attorney, Agent, or Firm*—Fulwider Patton LLP

(**) Term: **14 Years**

(57) **CLAIM**

(21) Appl. No.: **29/299,345**

The ornamental design for a curved base, as shown and described.

(22) Filed: **Dec. 21, 2007**

DESCRIPTION

(51) **LOC (8) Cl.** **06-01**

FIG. 1 is a perspective view of a curved base showing our new design.

(52) **U.S. Cl.** **D6/501**

FIG. 2 is a front elevational view thereof;

(58) **Field of Classification Search** D6/334,

FIG. 3 is a rear elevational view thereof;

D6/349, 355, 357, 367, 368, 370, 374–381,
D6/500–502; 297/175, 232, 233, 283.2,
297/283.3, 445.1, 448.1, 452.12, 452.38,
297/452.48, 461, 462; 5/12.1, 12.2

FIG. 4 is a side elevational view thereof, the opposite side being a mirror image;

See application file for complete search history.

FIG. 5 is a perspective view of a variation of a curved base;

FIG. 6 is a front elevational view thereof;

(56) **References Cited**

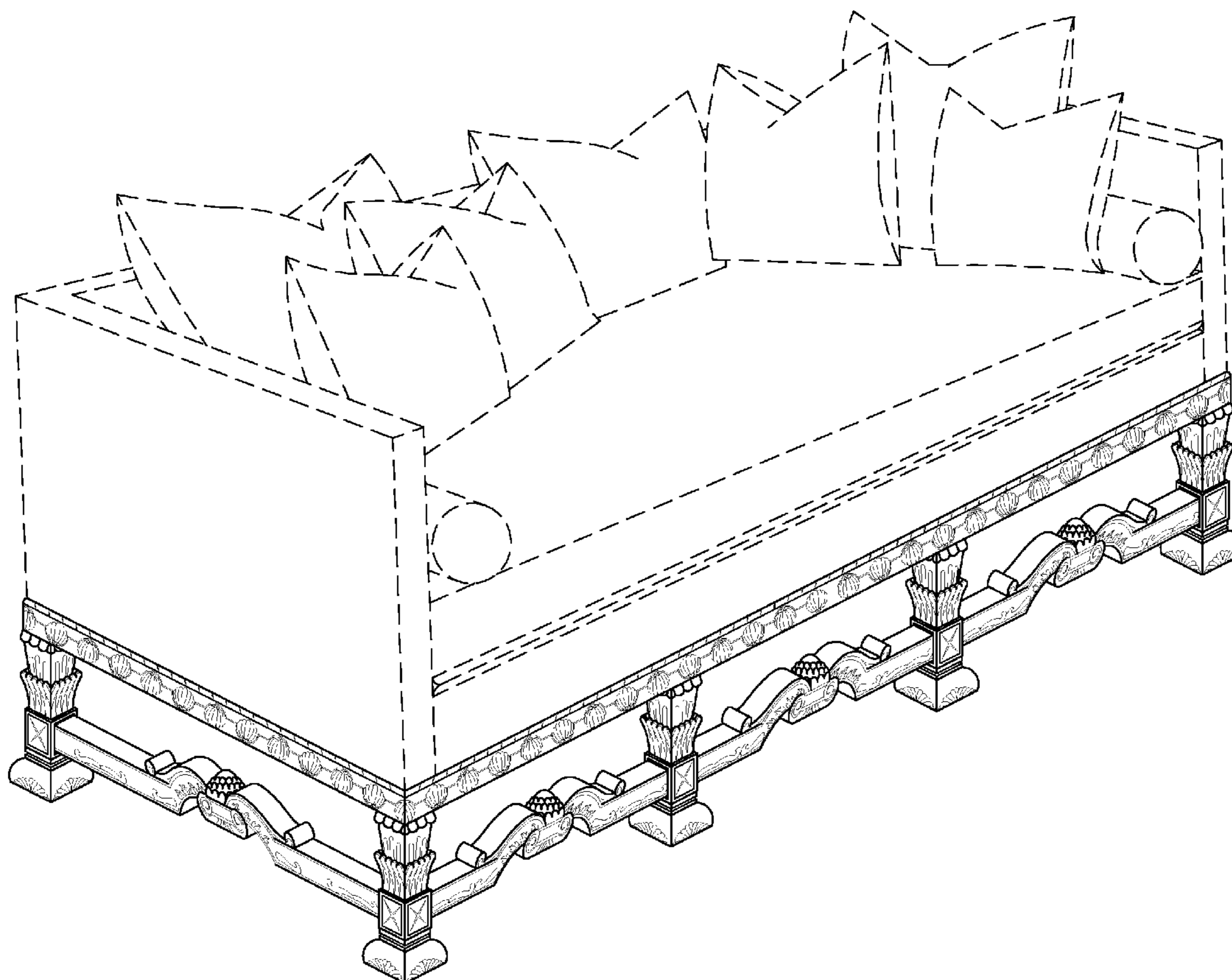
FIG. 7 is a rear elevational view thereof; and,

U.S. PATENT DOCUMENTS

FIG. 8 is a side elevational view thereof.

D115,022 S * 5/1939 Breglia D6/381
D239,236 S * 3/1976 Costabile D6/381

1 Claim, 8 Drawing Sheets



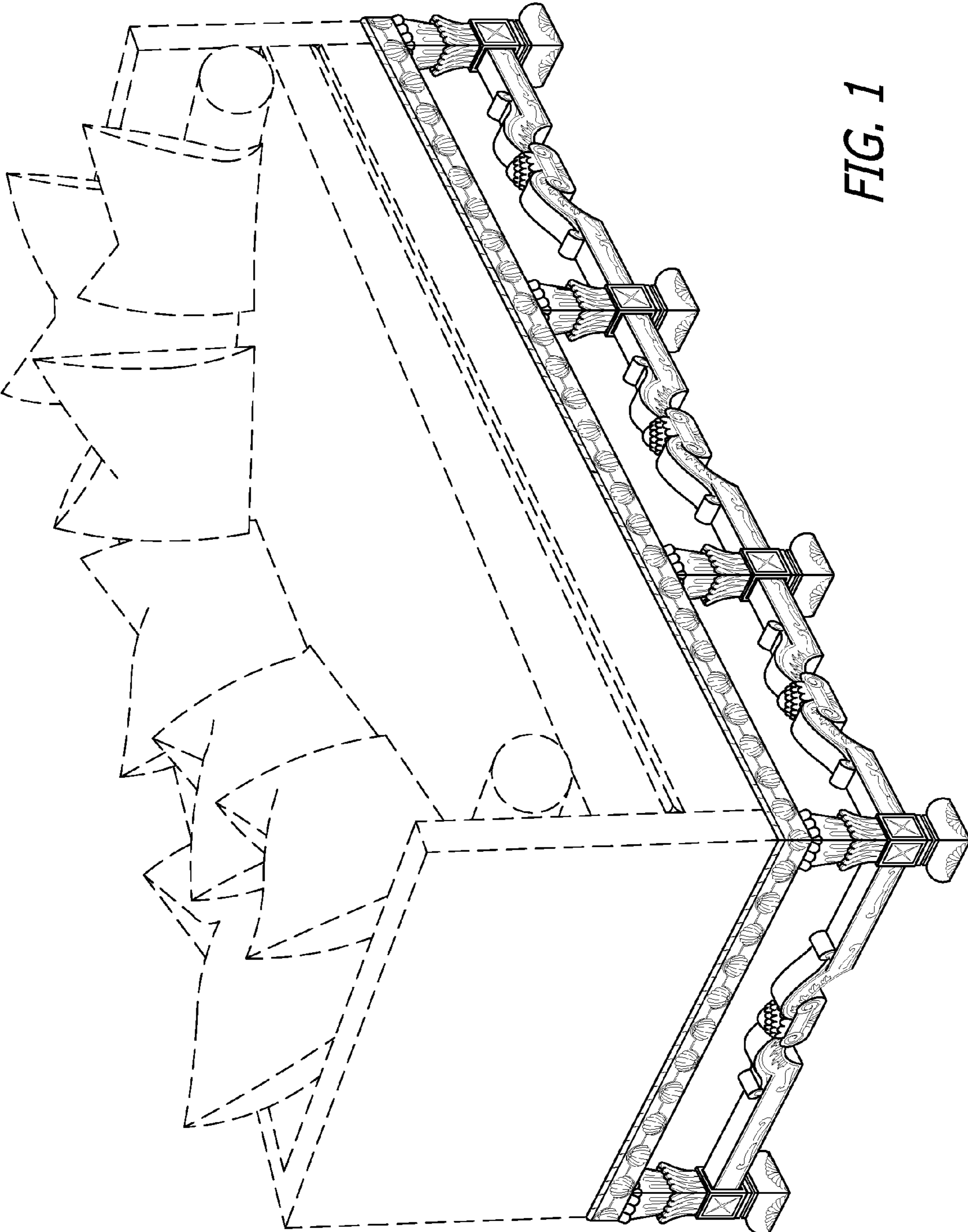


FIG. 1

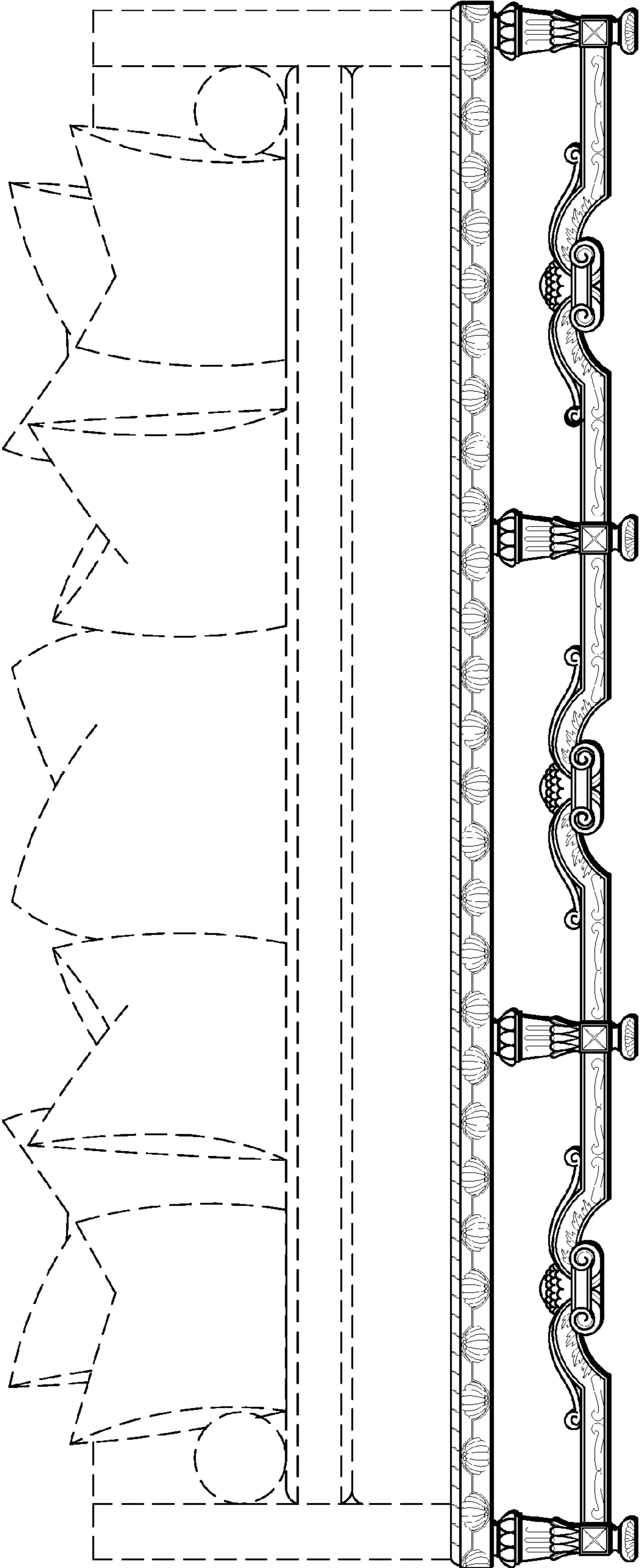


FIG. 2

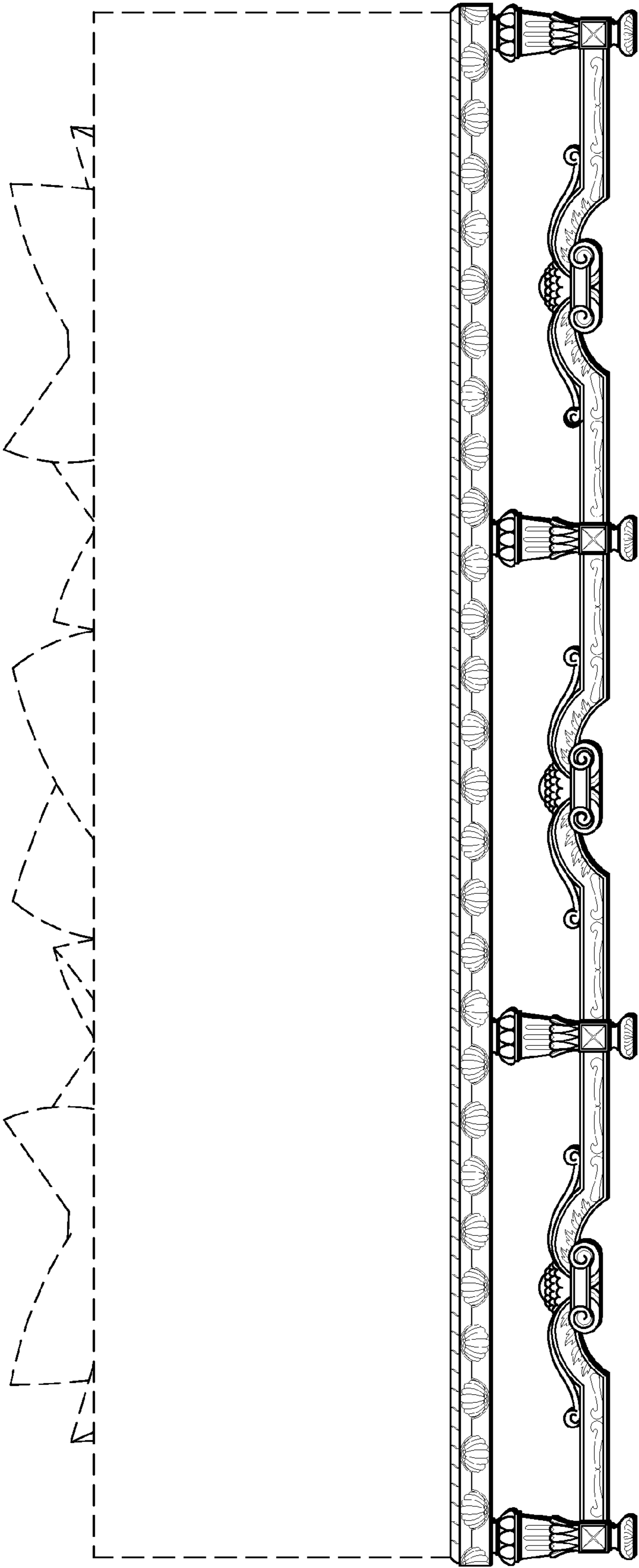


FIG. 3

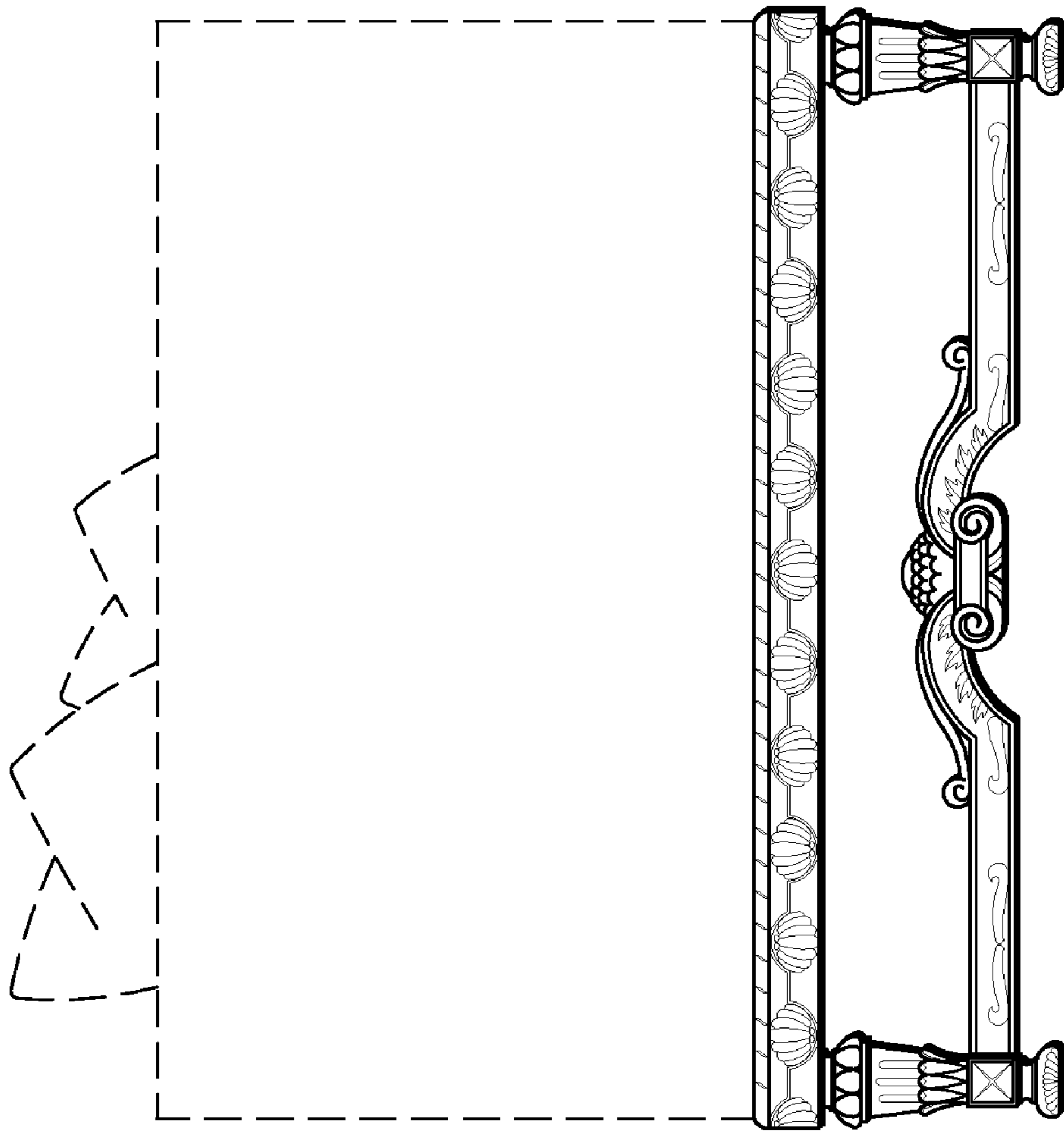


FIG. 4

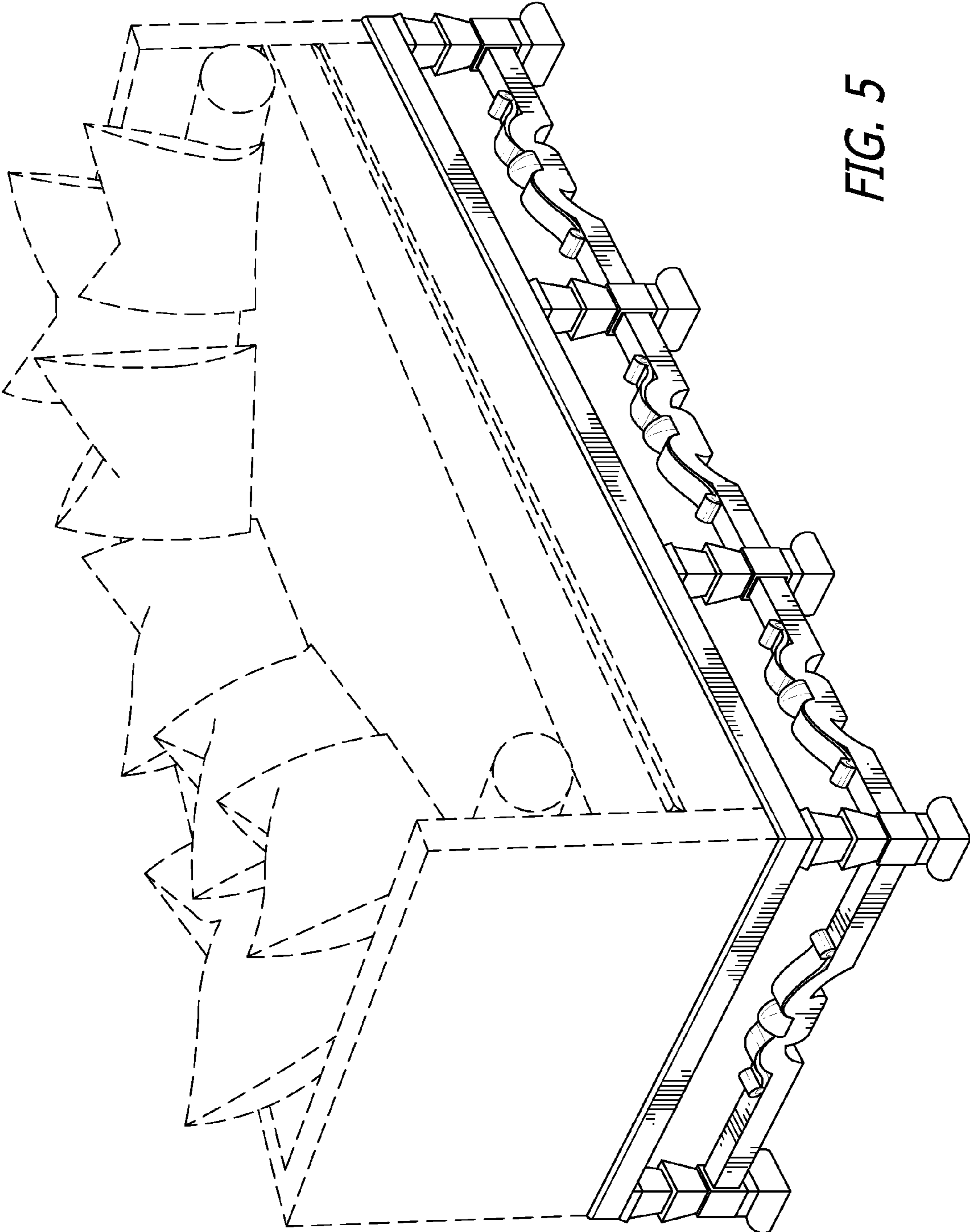


FIG. 5

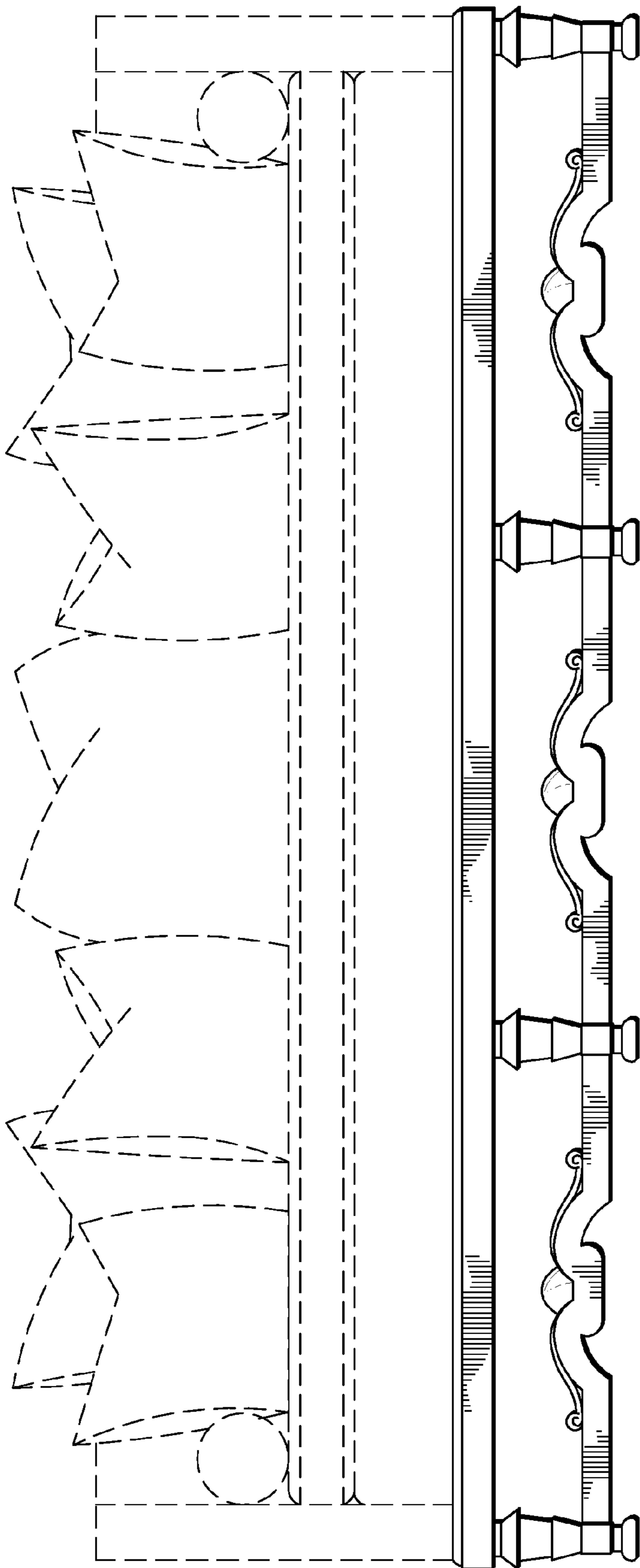


FIG. 6

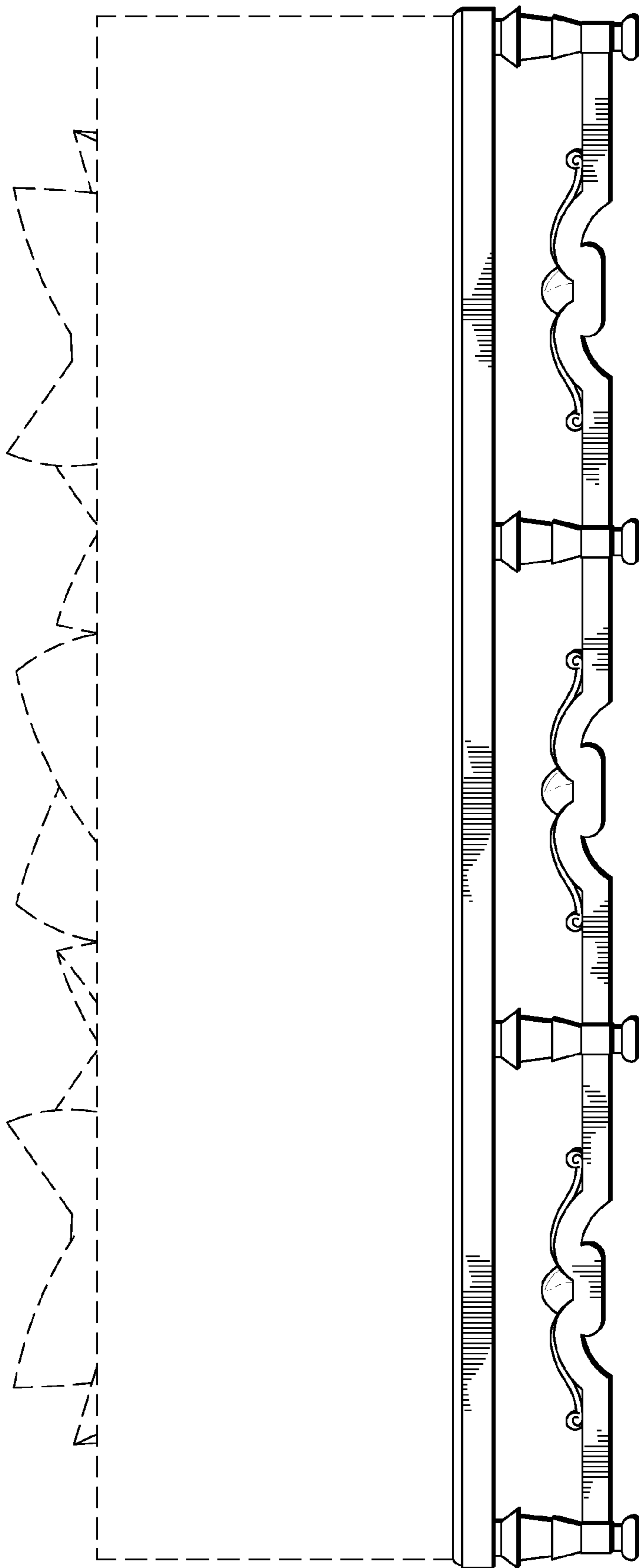


FIG. 7

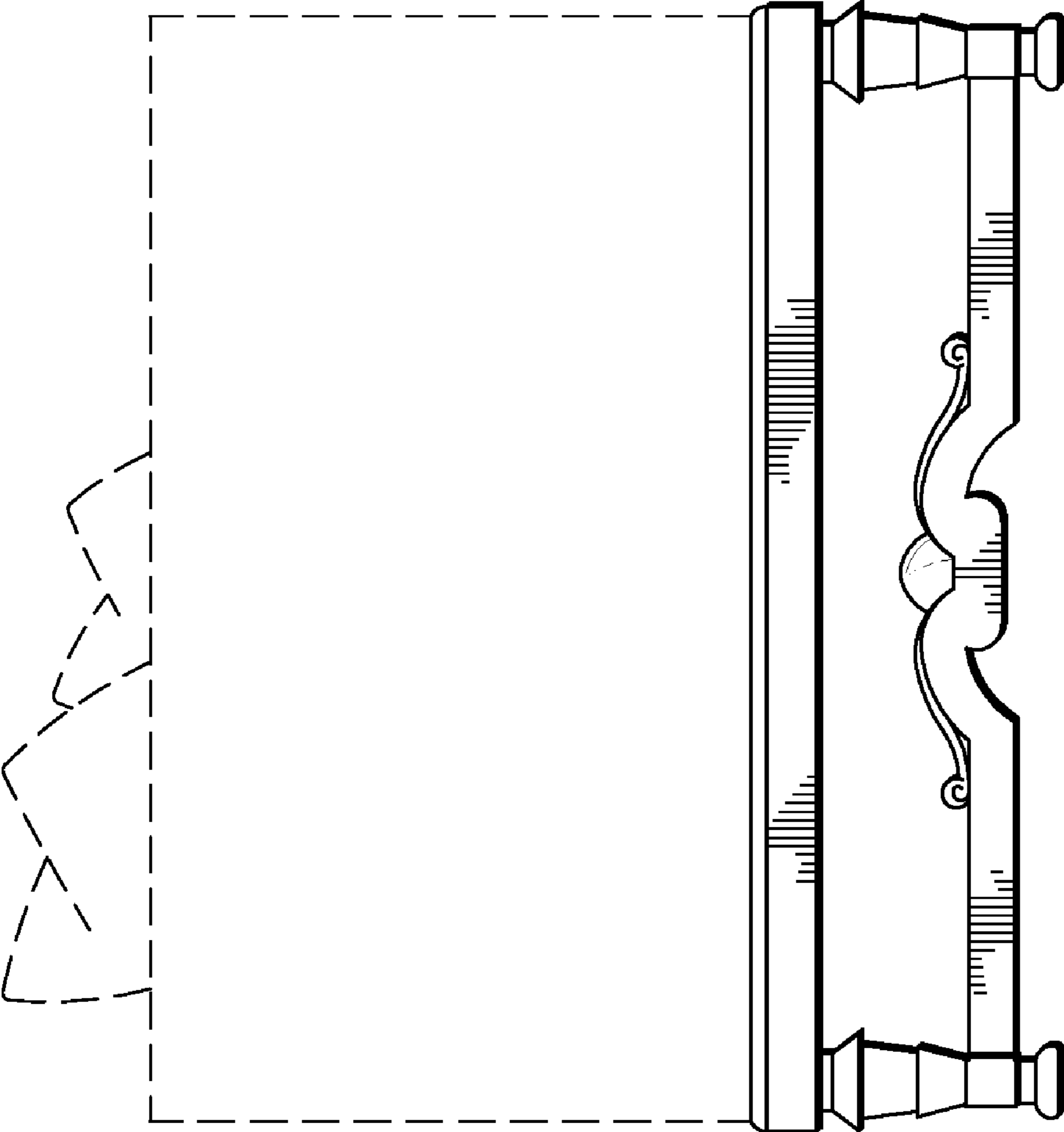


FIG. 8